



US00D780227S

(12) **United States Design Patent** (10) **Patent No.:** **US D780,227 S**
Hines et al. (45) **Date of Patent:** **** Feb. 28, 2017**

(54) **DIAPHRAGM PUMP**
(71) Applicant: **Graco Minnesota Inc.**, Minneapolis, MN (US)
(72) Inventors: **Bradley H. Hines**, Andover, MN (US); **Brian W. Koehn**, Minneapolis, MN (US); **Ronald A. Flor**, Anoka, MN (US); **David L. Breaser**, Minneapolis, MN (US); **Todd L. Johnson**, Minneapolis, MN (US)
(73) Assignee: **Graco Minnesota Inc.**, Minneapolis, MN (US)
(**) Term: **15 Years**
(21) Appl. No.: **29/537,495**
(22) Filed: **Aug. 26, 2015**
(51) **LOC (10) Cl.** **15-02**
(52) **U.S. Cl.**
USPC **D15/7**
(58) **Field of Classification Search**
USPC D15/7-9; D23/231, 232, 225; 417/60, 417/235, 265, 321, 355, 358, 363, 359, 417/410.1, 415-416, 405, 900, 269, 539, 417/393, 344, 345, 395; 60/408, 412; 184/26-37; 415/140-147; 123/495, 509; 137/565.34
CPC F02M 37/04; F02M 37/14; F04B 53/92; F04B 1/005
See application file for complete search history.

D562,849 S * 2/2008 Buitenhuis D15/7
D656,518 S * 3/2012 Varini D15/7
D668,684 S * 10/2012 Noguchi D15/9
D682,316 S * 5/2013 Rogne D15/7
D684,197 S * 6/2013 Kienzle D15/9
D690,324 S * 9/2013 Kienzle D15/9
D754,557 S * 4/2016 Wang D11/9
D761,326 S * 7/2016 Kienzle D15/9

OTHER PUBLICATIONS

Graco Saniforce Diaphragm Pump Instructions—Parts List, Nov. 2010 revision, depicting earlier product line.
Abel CM brochure, Jun. 2014 revision.
(Continued)

Primary Examiner — Ralf Seifert
(74) *Attorney, Agent, or Firm* — Douglas B. Farrow

(57) **CLAIM**

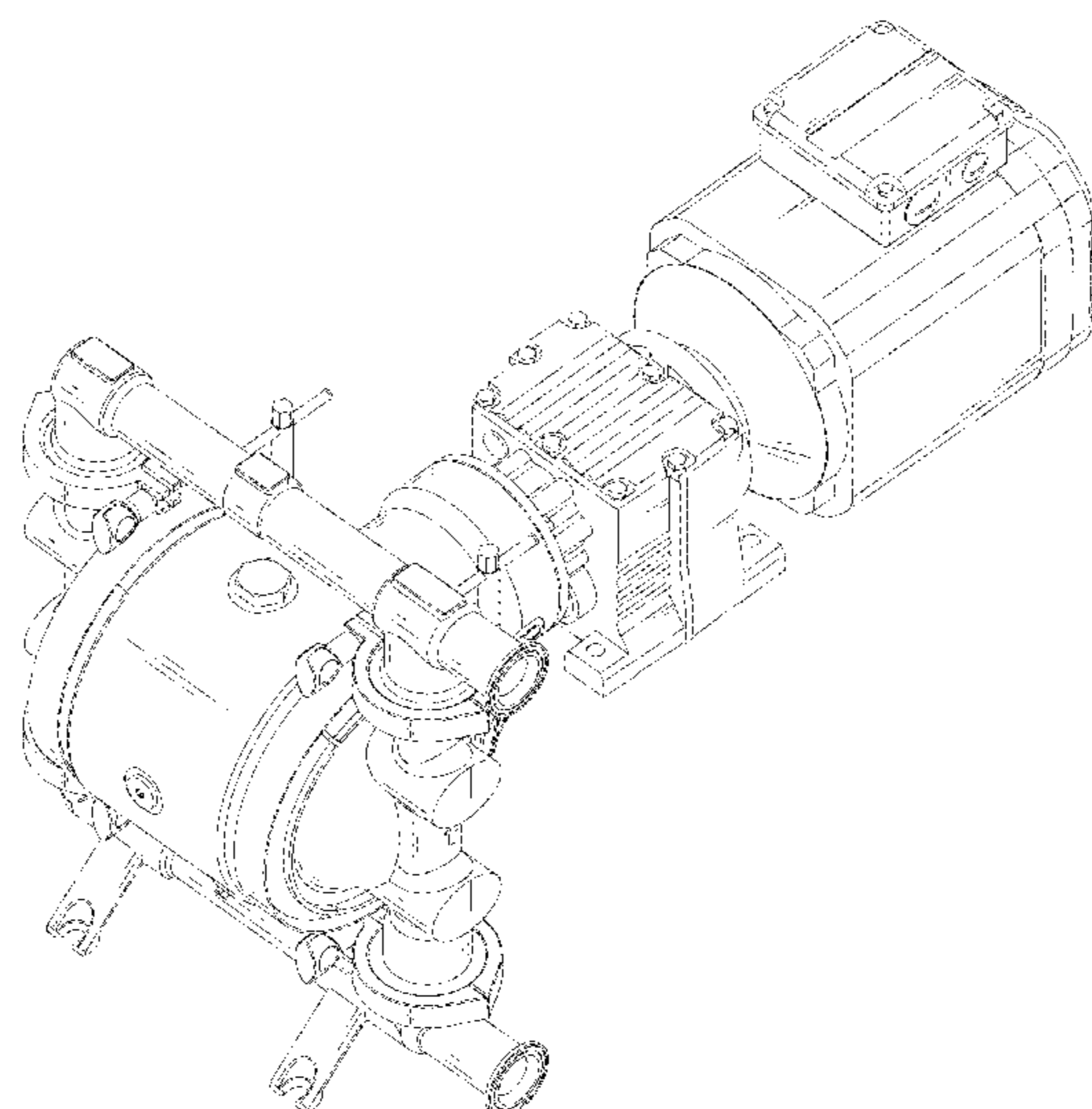
The ornamental design for a diaphragm pump, as shown and described.

DESCRIPTION

FIG. 1 is an isometric view of the first embodiment of a diaphragm pump;
FIG. 2 is a front view thereof;
FIG. 3 is a left view thereof;
FIG. 4 is a rear view thereof;
FIG. 5 is a right side view thereof;
FIG. 6 is a top view thereof;
FIG. 7 is a bottom view of a diaphragm pump,
FIG. 8 is an isometric view of the second embodiment of a diaphragm pump showing our new design;
FIG. 9 is a front view of FIG. 8;
FIG. 10 is a left view of FIG. 8;
FIG. 11 is a rear view of FIG. 8;
FIG. 12 is a right side view of FIG. 8;
FIG. 13 is a top view of FIG. 8; and,
FIG. 14 is a bottom view of FIG. 8.

1 Claim, 14 Drawing Sheets

(56) **References Cited**
U.S. PATENT DOCUMENTS
D294,946 S * 3/1988 Wilden D15/7
5,711,658 A * 1/1998 Conti F04B 43/0736
417/344
D447,148 S * 8/2001 Antony D15/7
D450,327 S * 11/2001 Mori D15/7
D484,145 S * 12/2003 Roberts D15/7



(56)

References Cited

OTHER PUBLICATIONS

RAN D25E-PX information sheet (pulled from RAN website)

document properties indicate Feb. 2014 creation date.

RAN D25E-AX information sheet (pulled from RAN website)

document properties indicate Feb. 2104 creation date.

RAN D25E-SX information sheet (pulled from RAN website)

document properties indicate Feb. 2104 creation date.

* cited by examiner

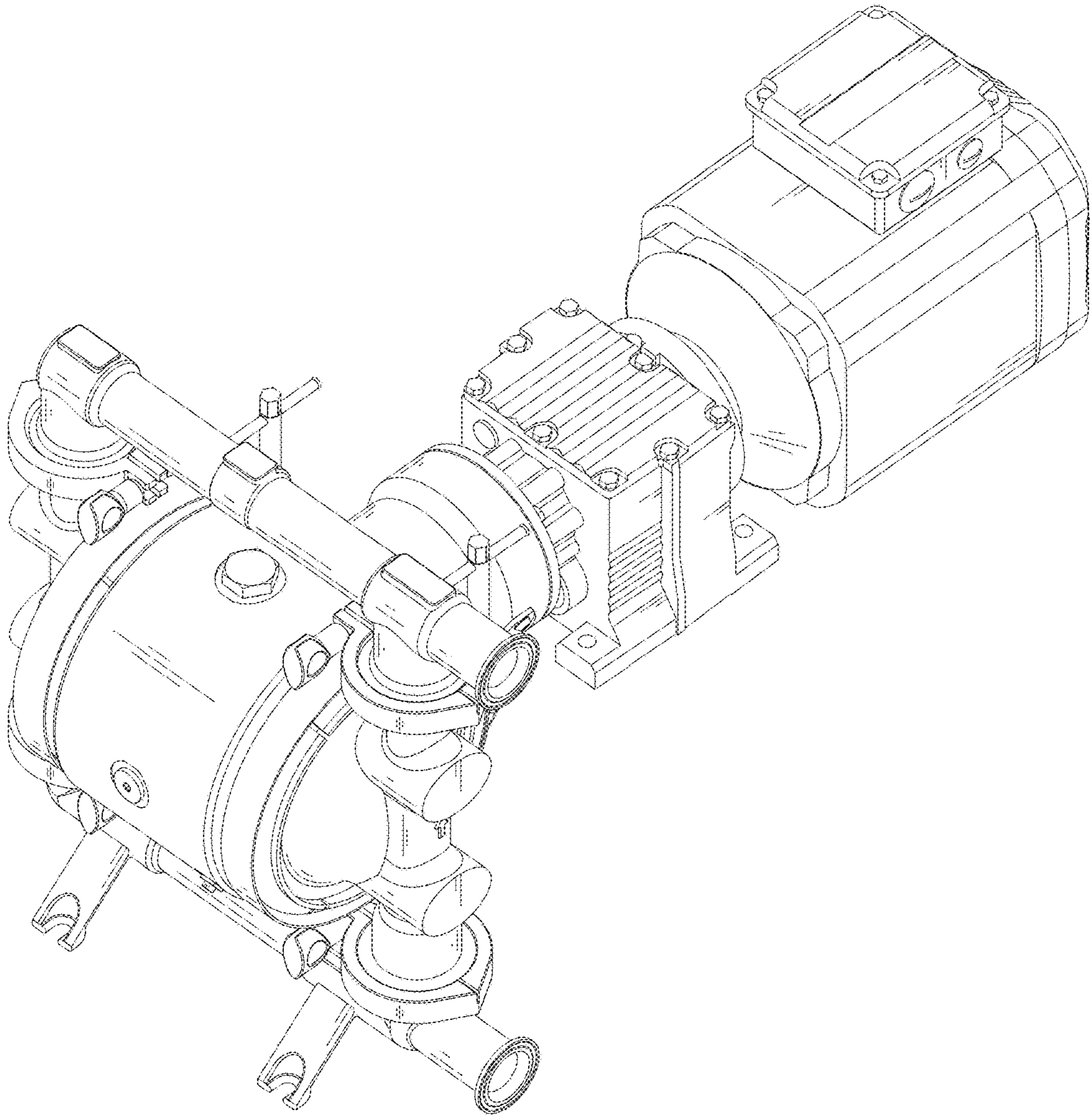


FIG. 1

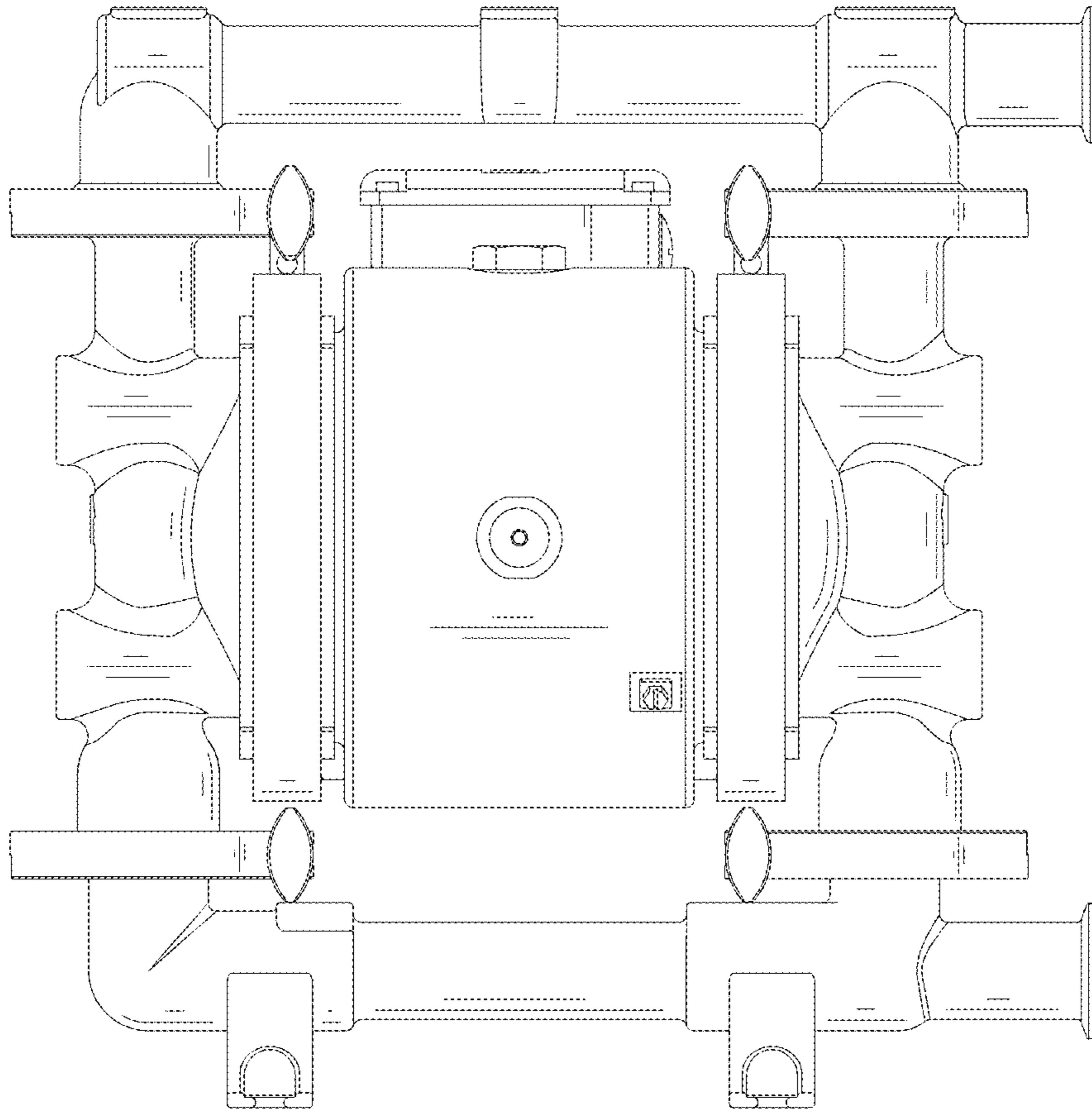


FIG. 2

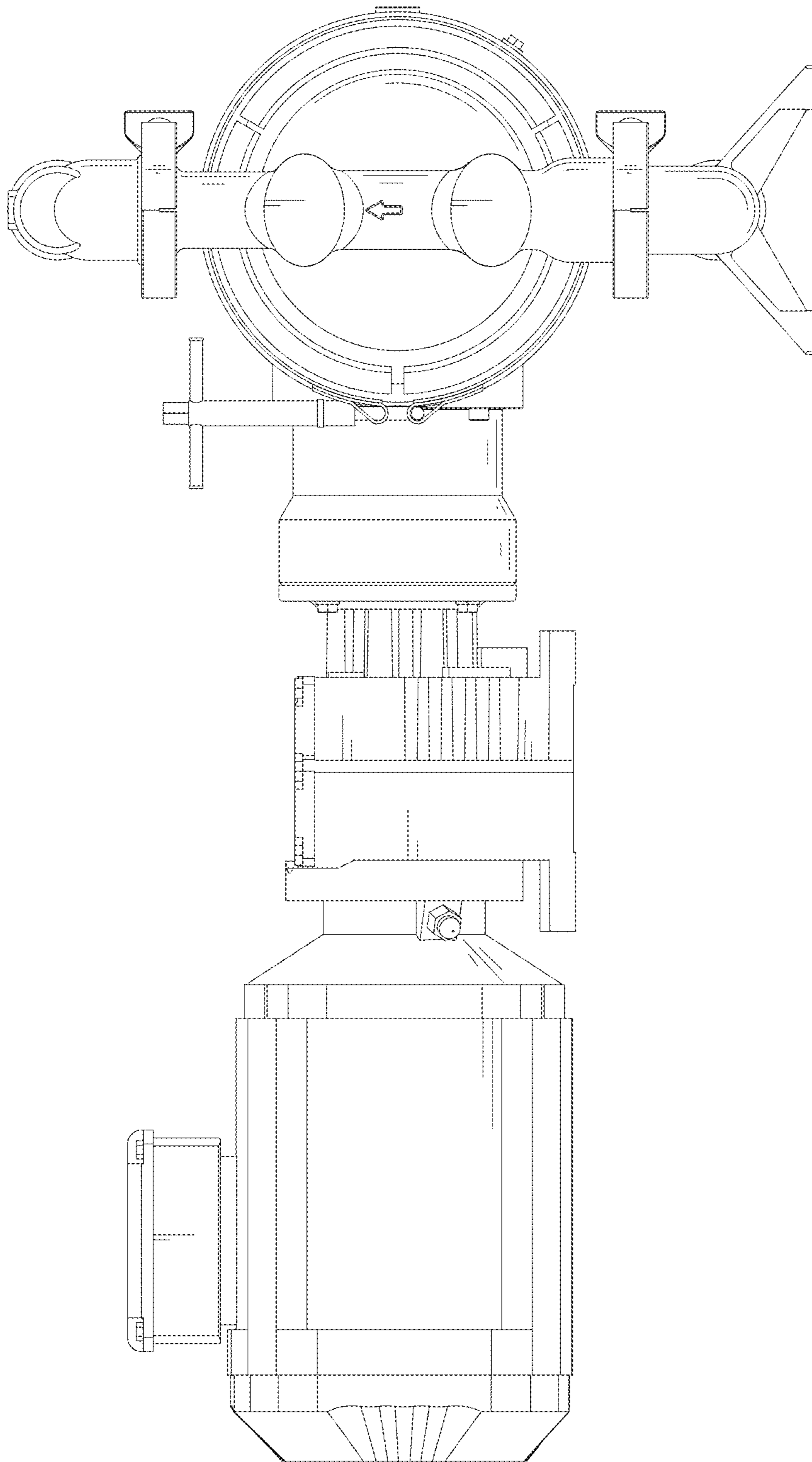


FIG. 3

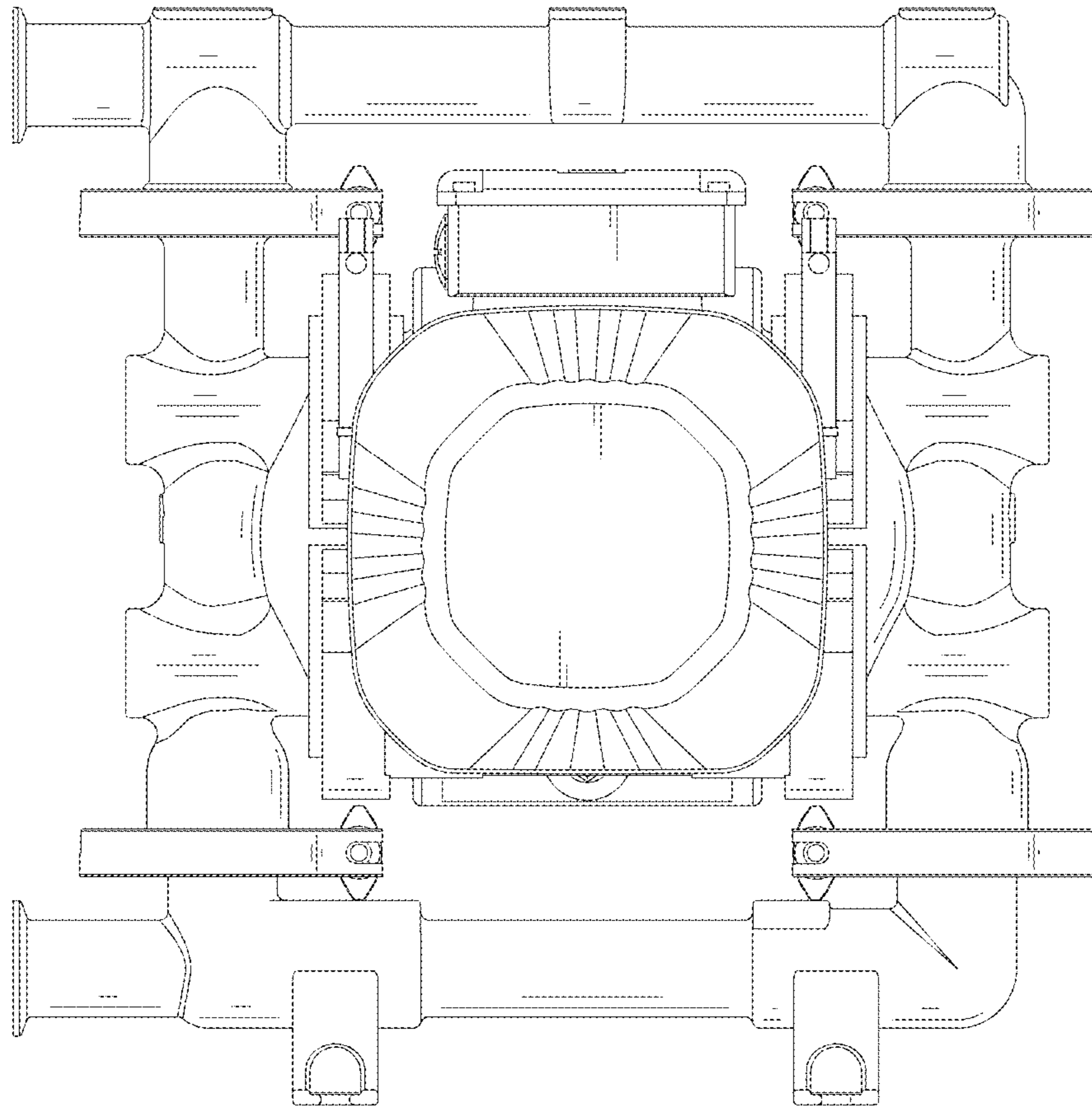


FIG. 4

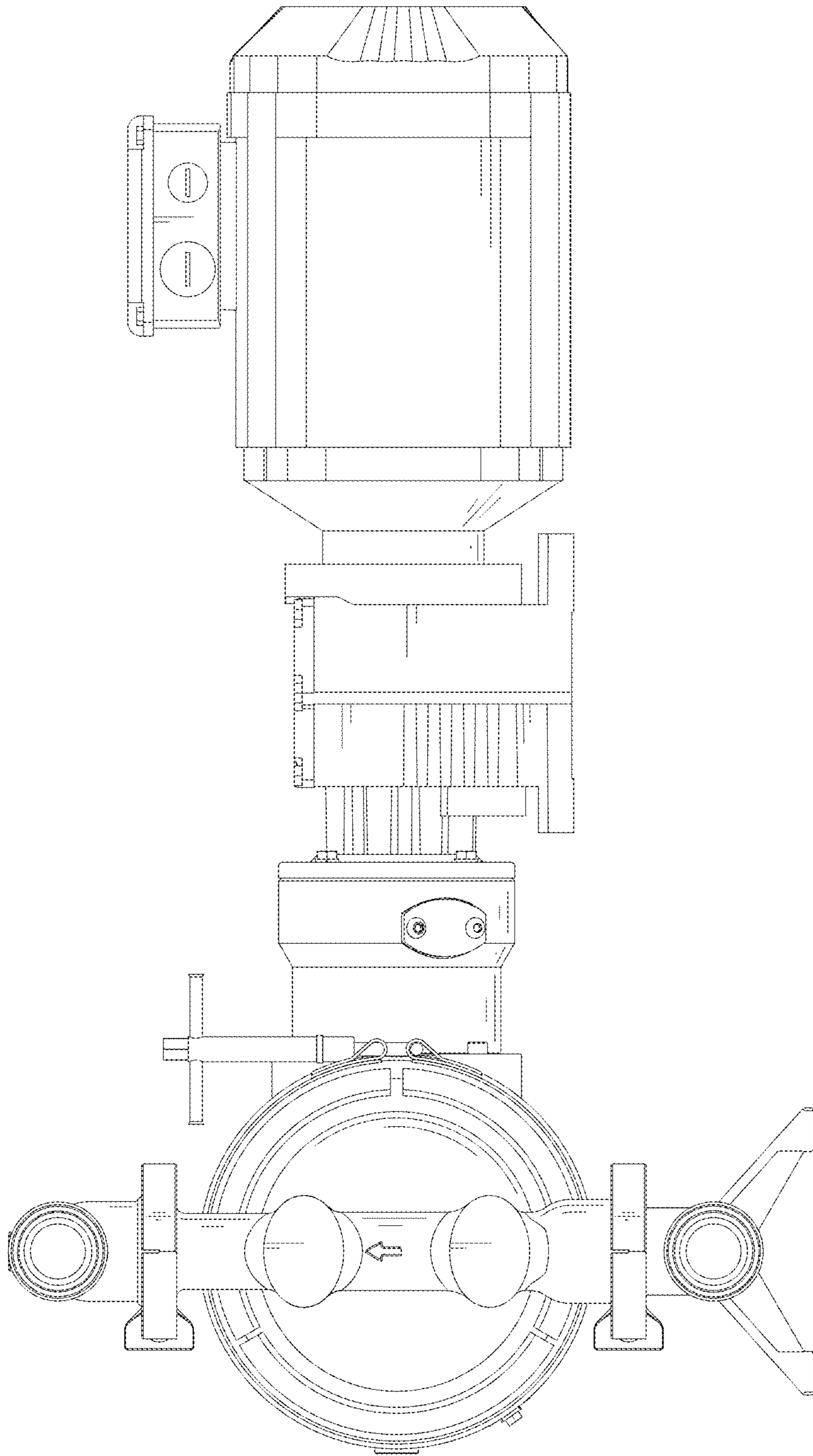


FIG. 5

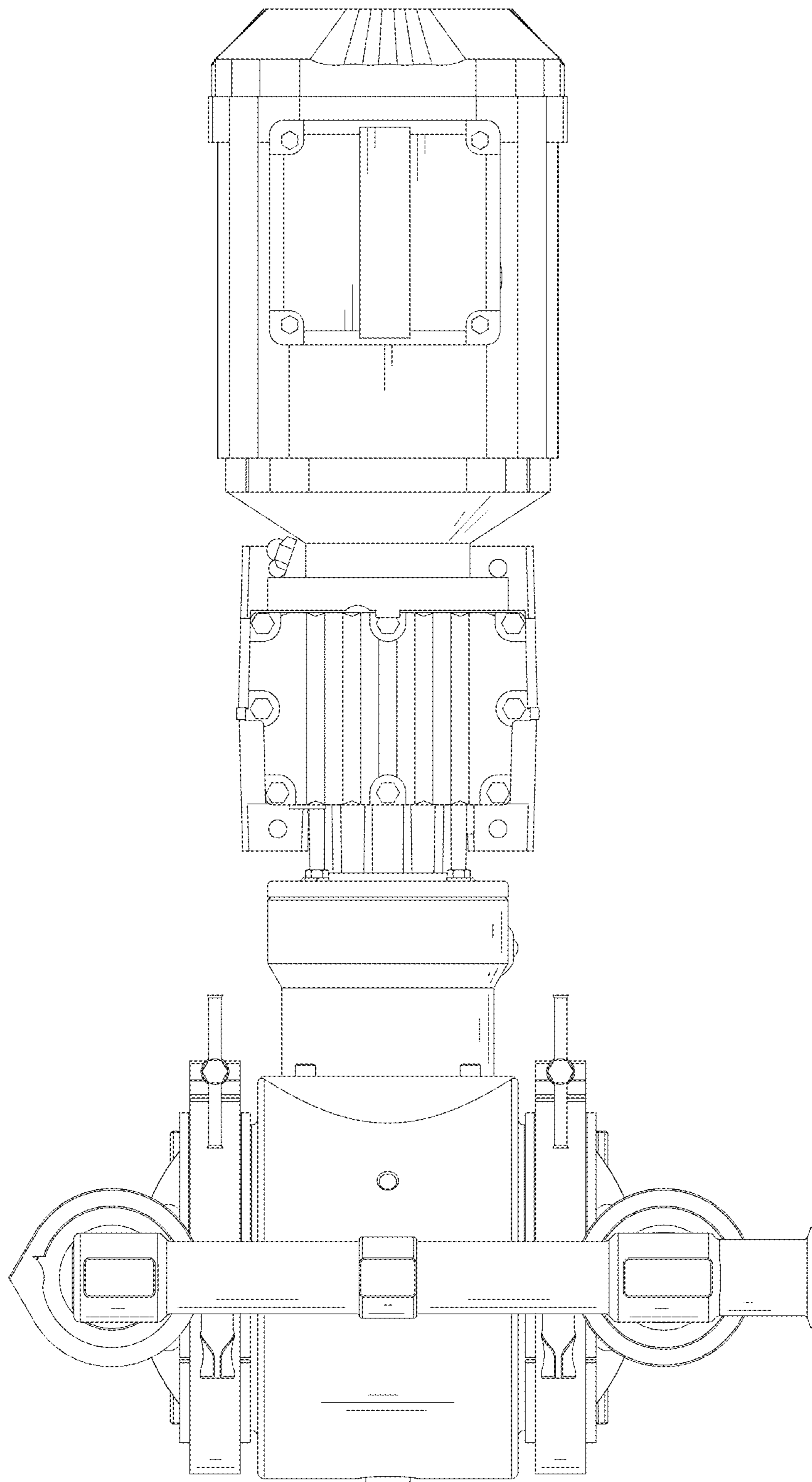


FIG. 6

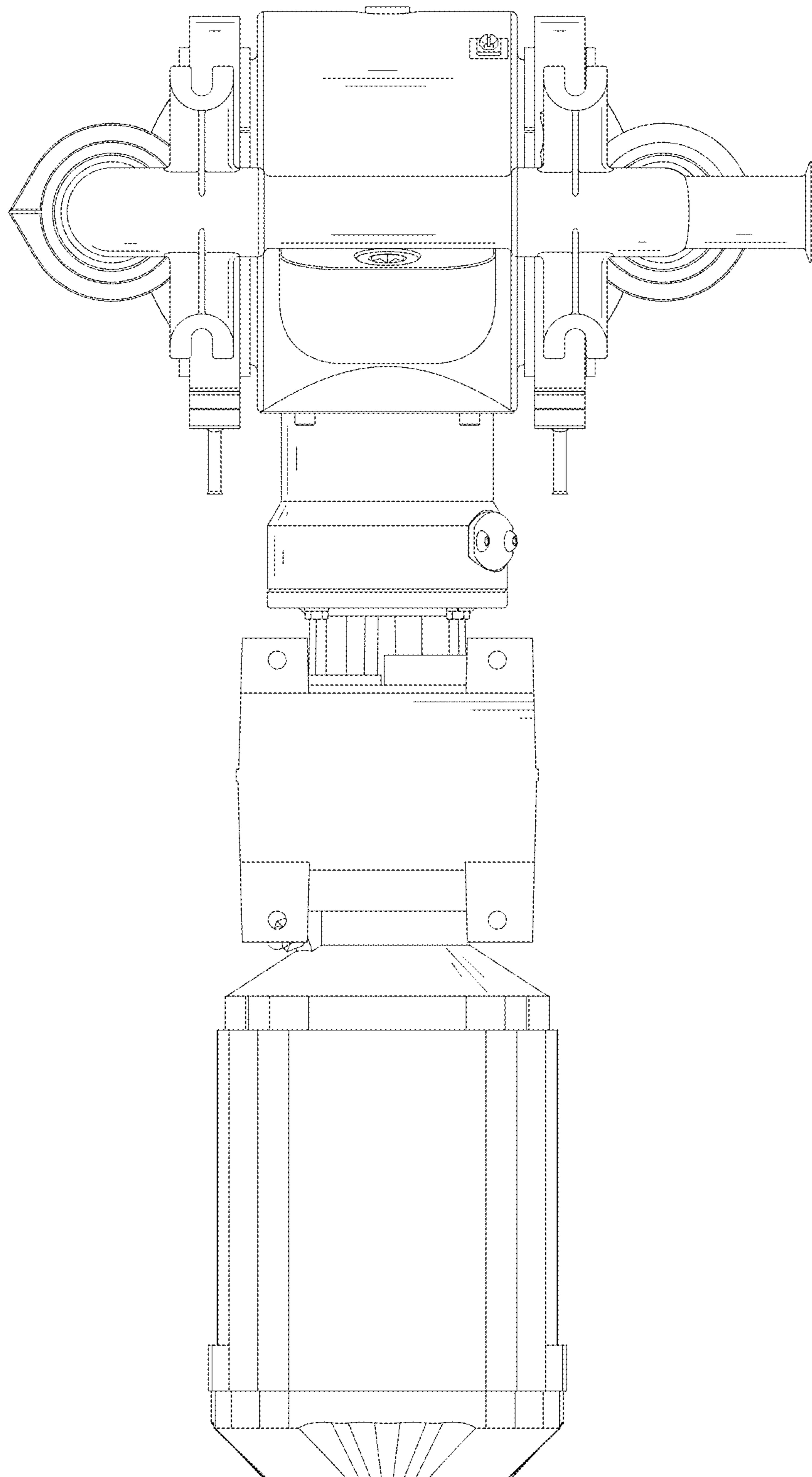


FIG. 7

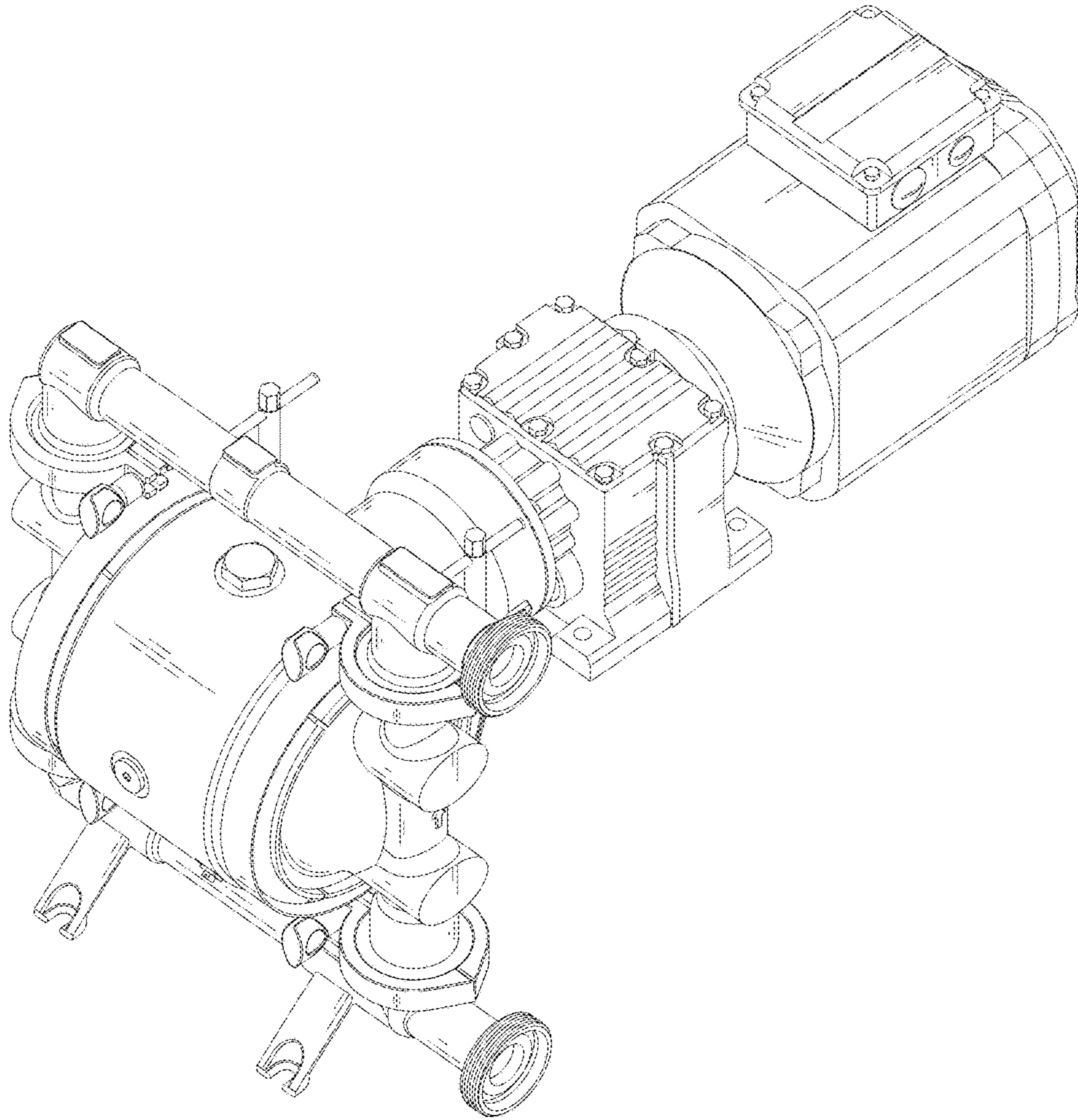


FIG. 8

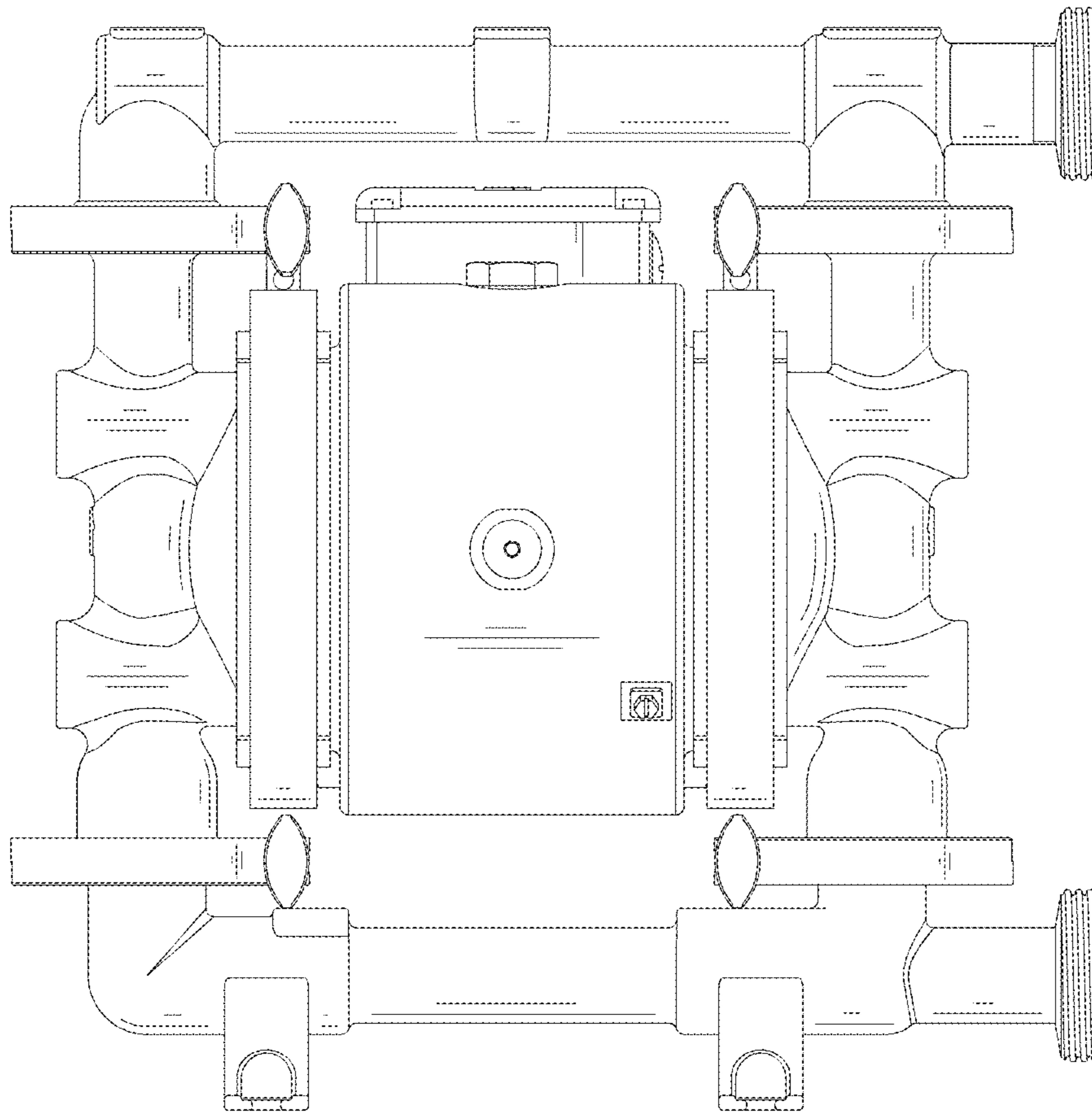


FIG. 9

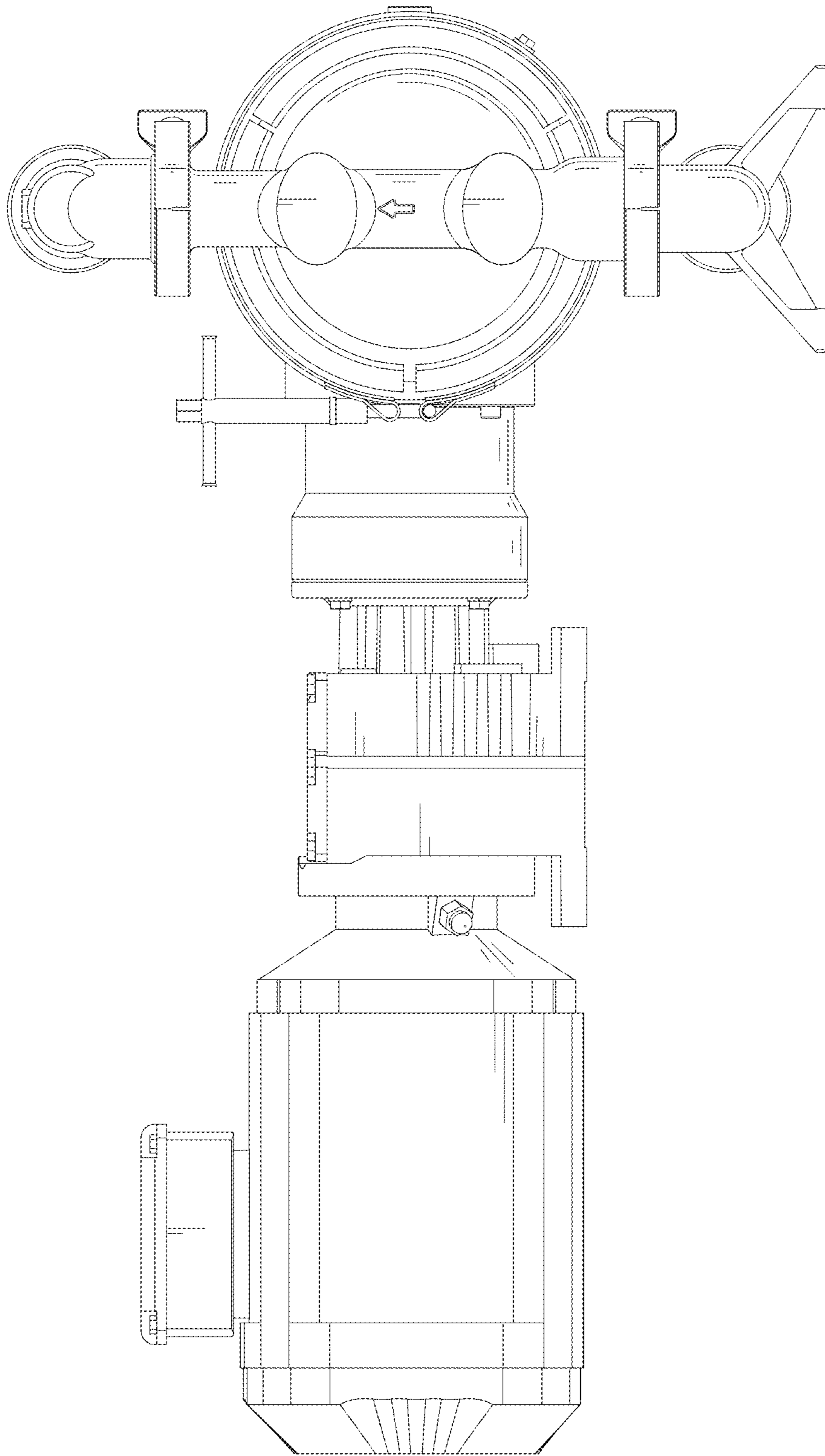


FIG. 10

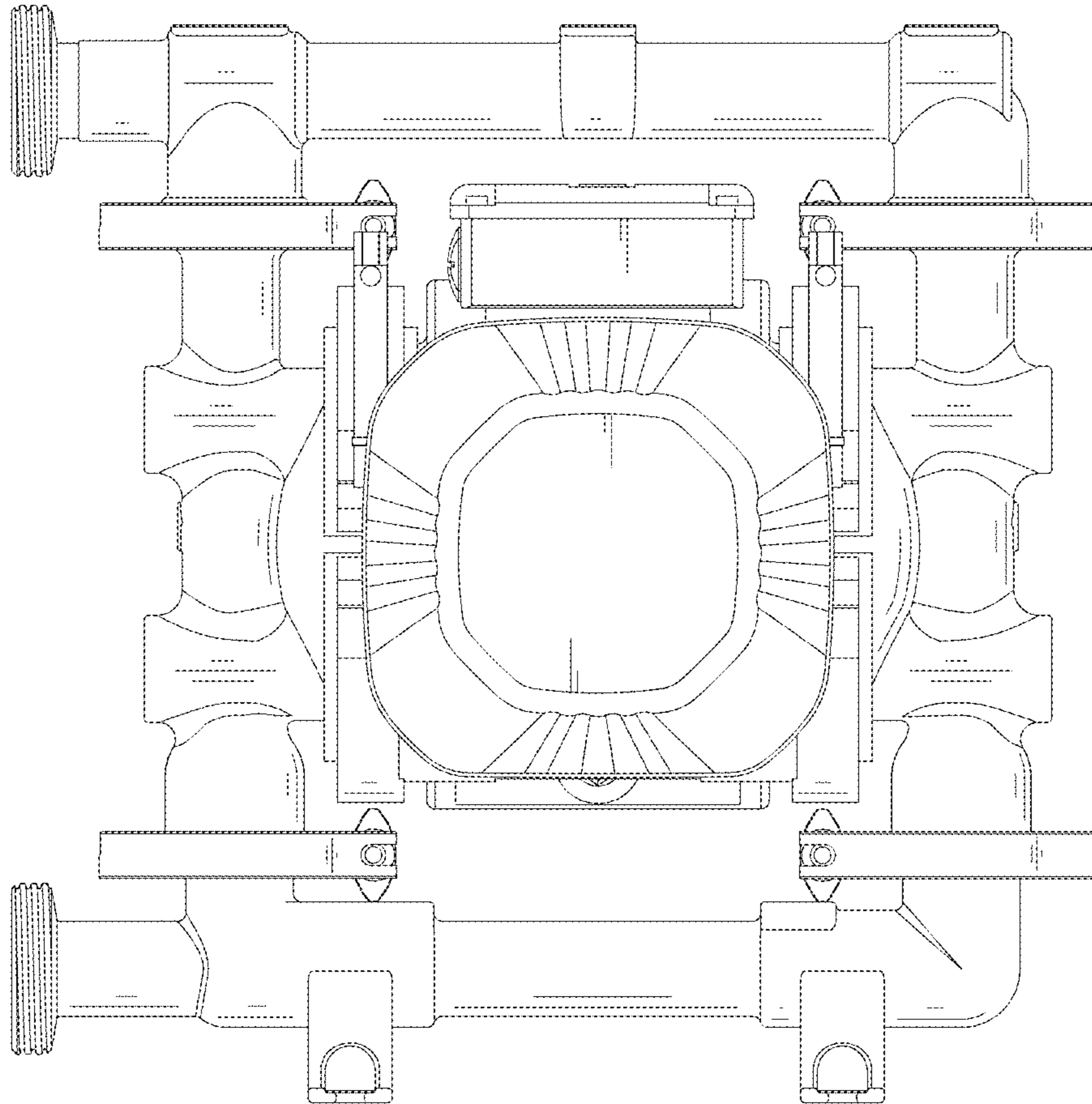


FIG. 11

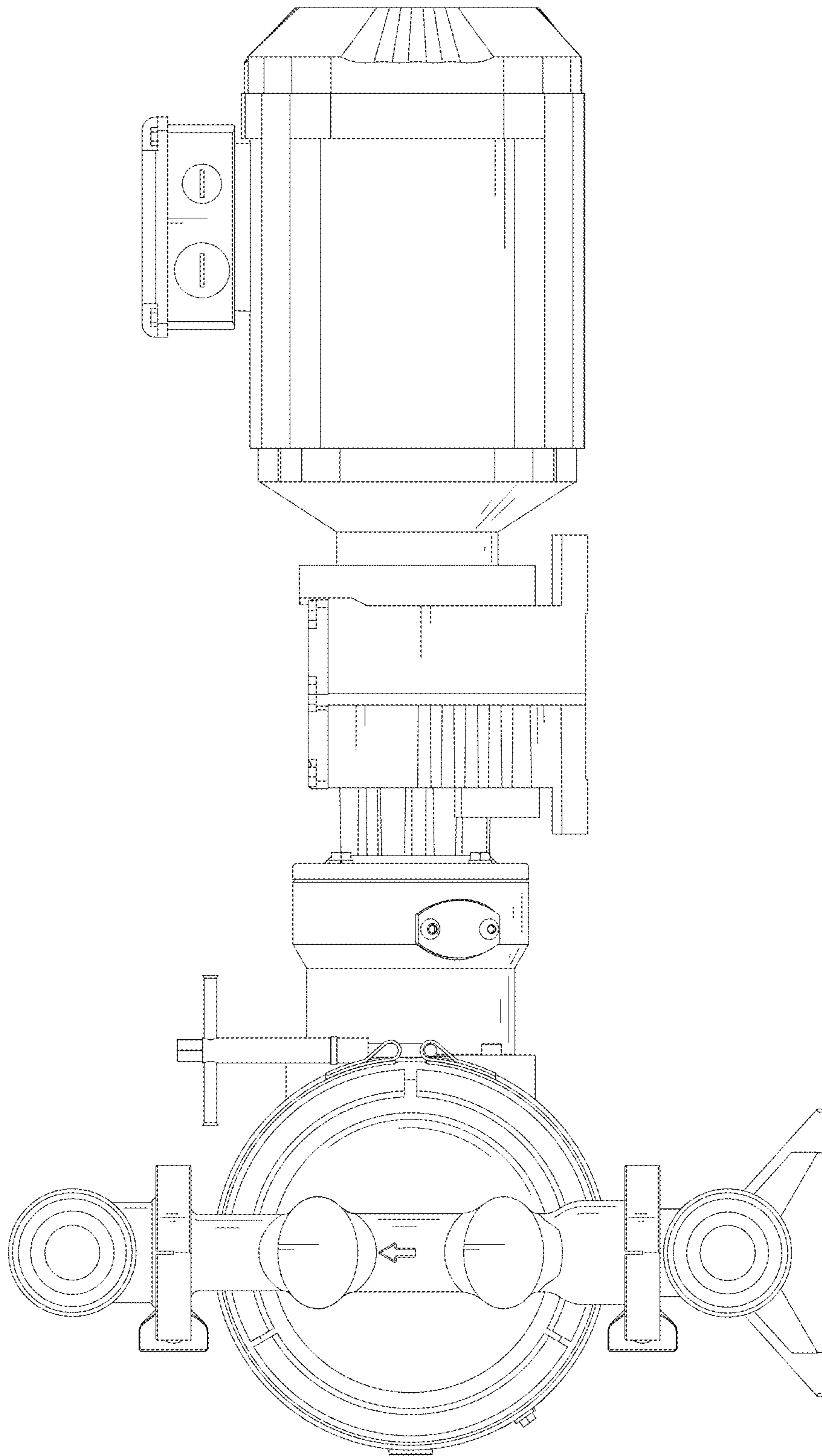


FIG. 12

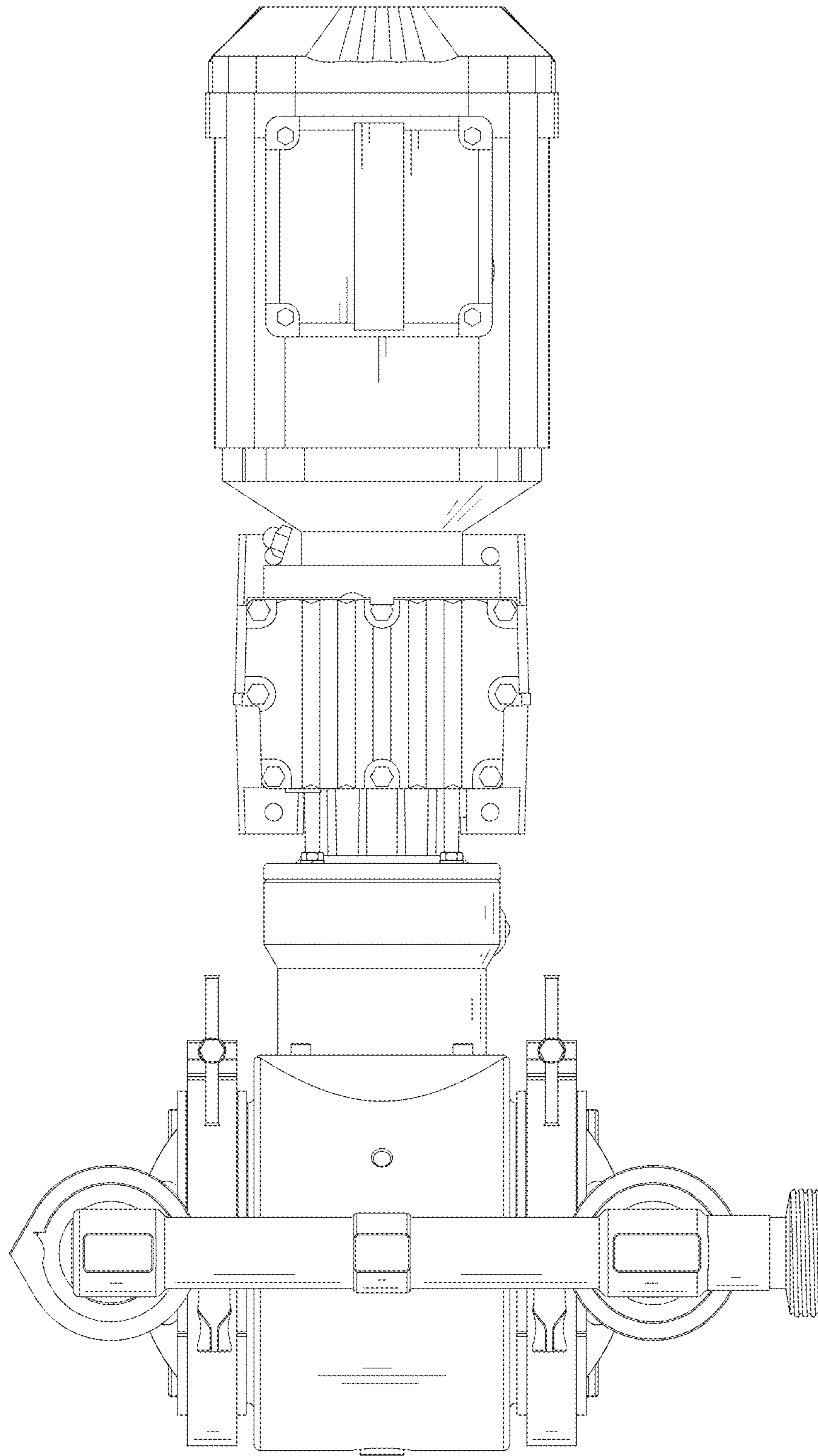


FIG. 13

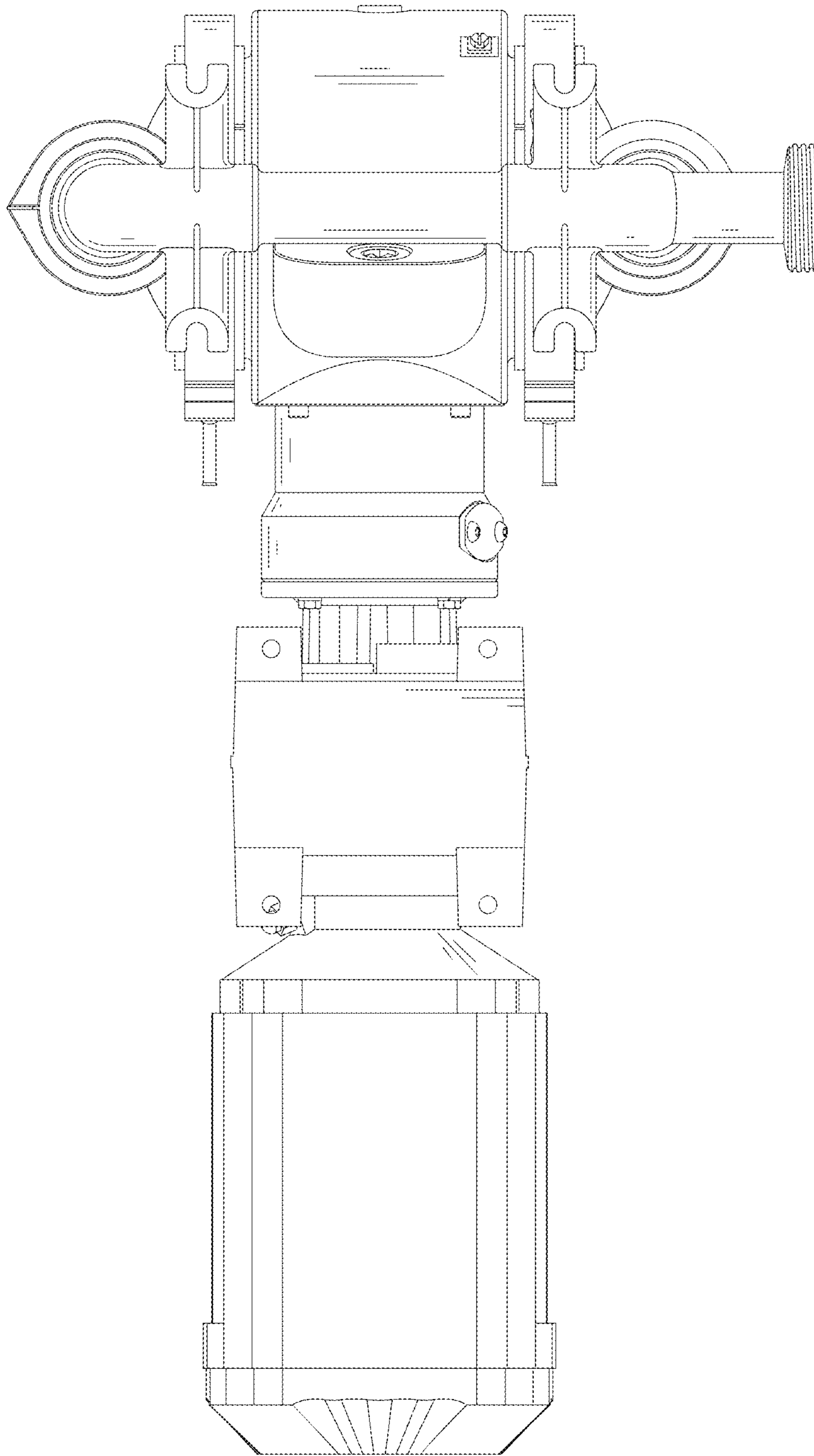


FIG. 14