



US00D780226S

(12) **United States Design Patent** (10) **Patent No.:** **US D780,226 S**  
**Nelson et al.** (45) **Date of Patent:** **\*\* Feb. 28, 2017**

(54) **SUCTION CHAMBER**

(71) Applicant: **GE Oil & Gas ESP, Inc.**, Oklahoma City, OK (US)

(72) Inventors: **Andrew Michael Nelson**, Oklahoma City, OK (US); **Johnathan Edward Peterson**, Oklahoma City, OK (US)

(73) Assignee: **GE Oil & Gas ESP, Inc.**, Oklahoma City, OK (US)

(\*\*) Term: **14 Years**

(21) Appl. No.: **29/510,850**

(22) Filed: **Dec. 3, 2014**

(51) **LOC (10) Cl.** ..... **15-02**

(52) **U.S. Cl.**  
USPC ..... **D15/7**

(58) **Field of Classification Search**  
USPC ..... D15/7-9; D23/231, 232, 225; 417/60, 417/235, 265, 321, 355, 358, 363, 359, 417/410.1, 415-416, 405, 900; 60/408, 60/412; 184/26-37; 415/140-147; 123/495, 509; 137/565.34  
CPC ..... F02M 37/04; F02M 37/14  
See application file for complete search history.

(56) **References Cited**

**U.S. PATENT DOCUMENTS**

3,105,664 A 10/1963 Poradun  
5,263,676 A 11/1993 Medlin

D364,794 S 12/1995 Eberschlag  
D384,677 S \* 10/1997 Wunner et al. .... D15/7  
5,723,192 A 3/1998 Jonasz  
6,807,780 B2 10/2004 McCahill  
D561,561 S 2/2008 Wohlford  
D641,379 S \* 7/2011 Milojevic et al. .... D15/7  
D641,380 S \* 7/2011 Milojevic et al. .... D15/7  
D641,381 S \* 7/2011 Milojevic et al. .... D15/7  
D666,078 S 8/2012 Foley  
D667,025 S \* 9/2012 Wunner ..... D15/7  
D696,695 S \* 12/2013 Sofussen et al. .... D15/7  
D696,696 S \* 12/2013 Sofussen et al. .... D15/7  
D699,549 S 2/2014 Giessmann  
D747,177 S 1/2016 McGinty  
2003/0196355 A1 10/2003 Castro

\* cited by examiner

*Primary Examiner* — Ralf Seifert

(74) *Attorney, Agent, or Firm* — Crowe & Dunlevy, P.C.

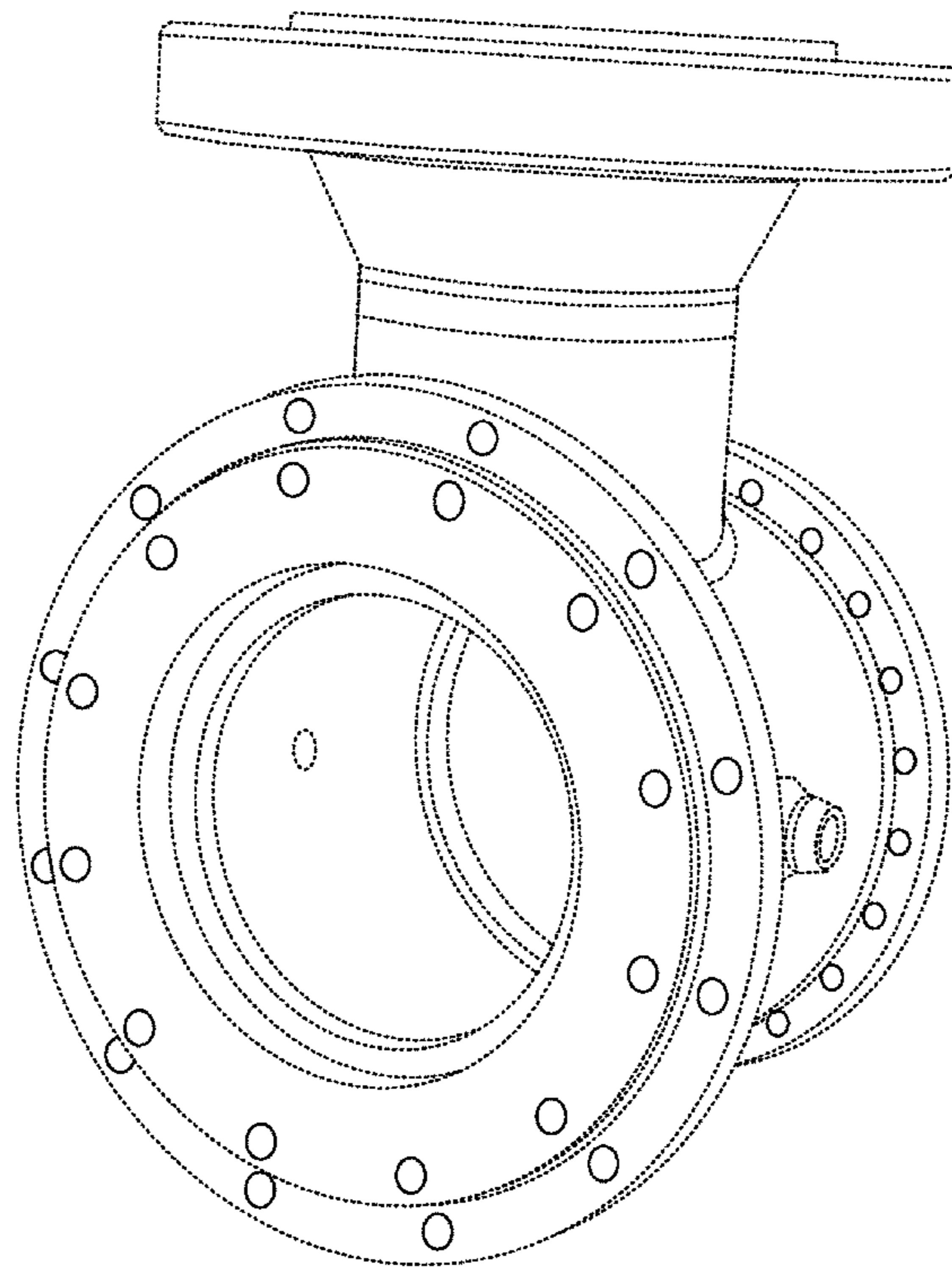
(57) **CLAIM**

The ornamental design for a suction chamber, as shown and described.

**DESCRIPTION**

FIG. 1 is a rear perspective view of a suction chamber showing my new design;  
FIG. 2 is a rear view;  
FIG. 3 is a right side view; and,  
FIG. 4 is a front view.

**1 Claim, 4 Drawing Sheets**



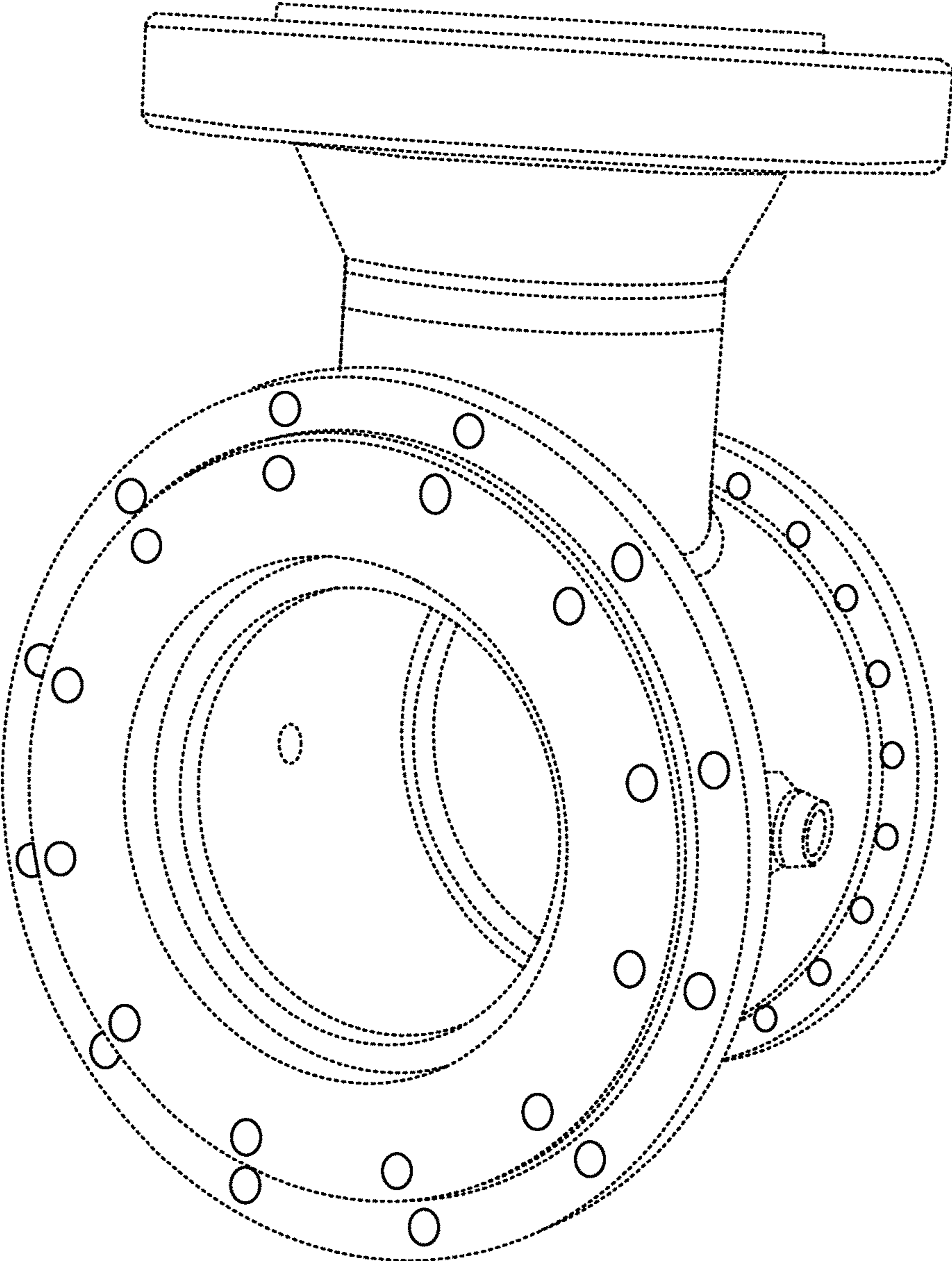


FIG. 1

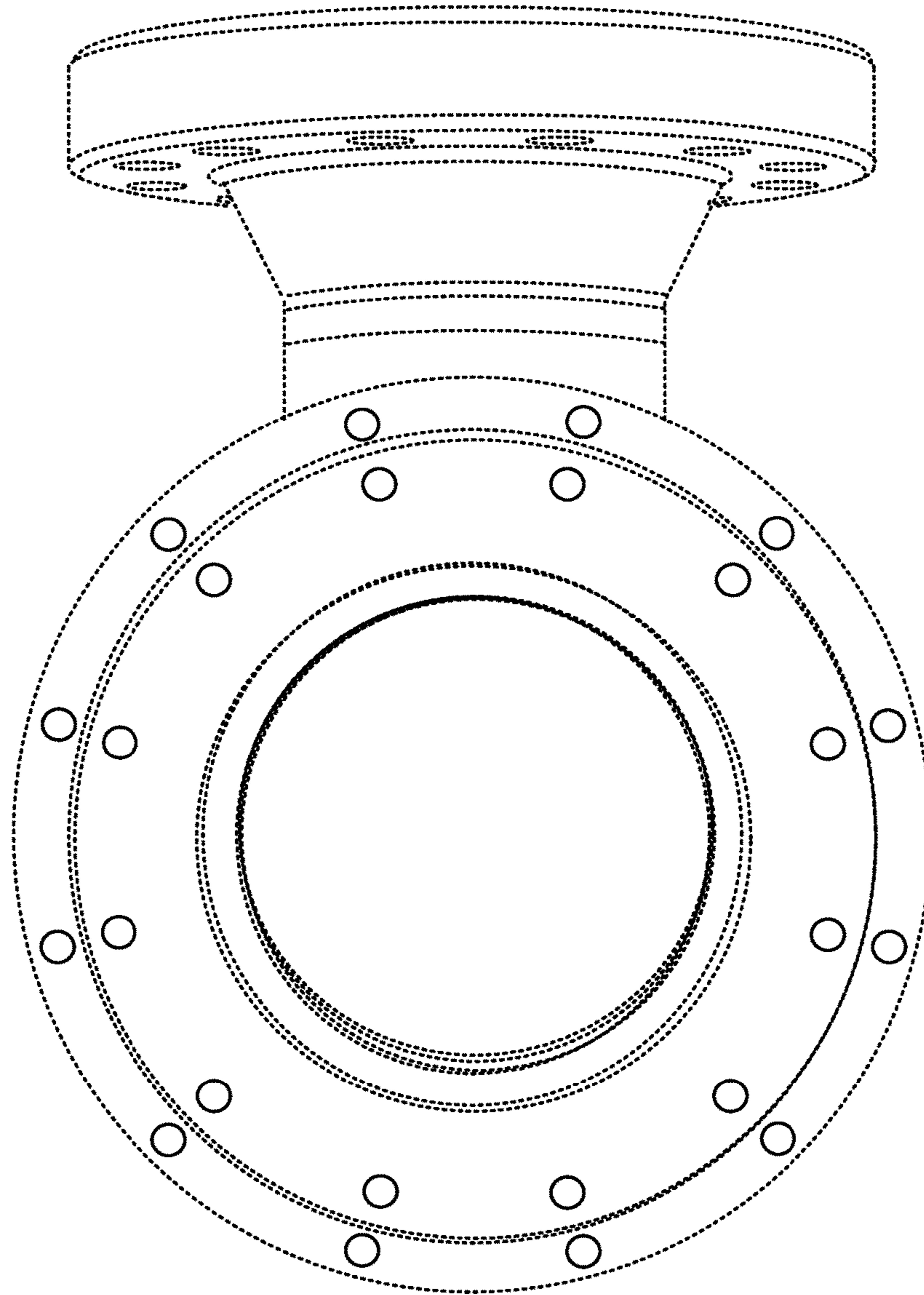


FIG. 2

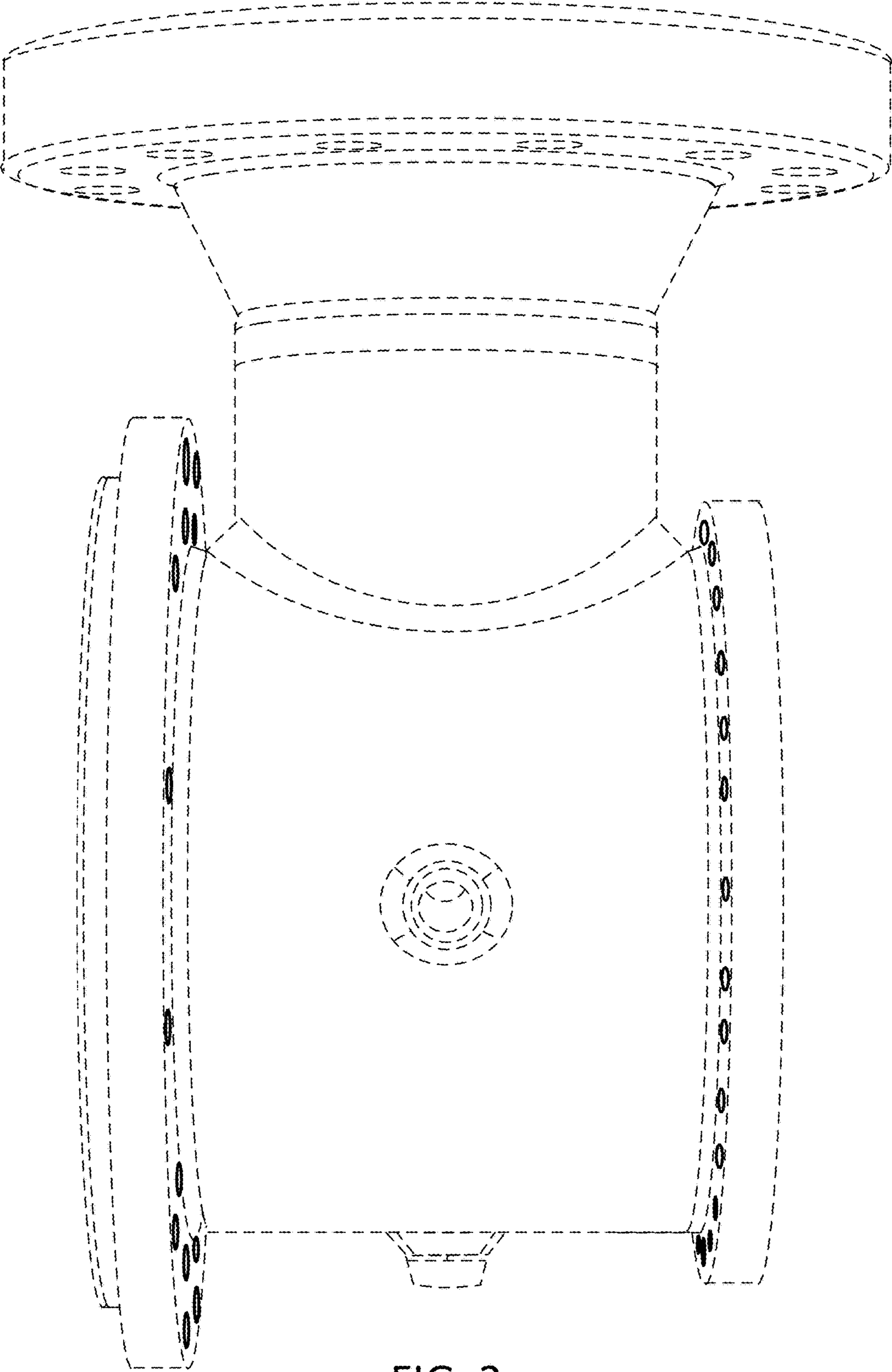


FIG. 3

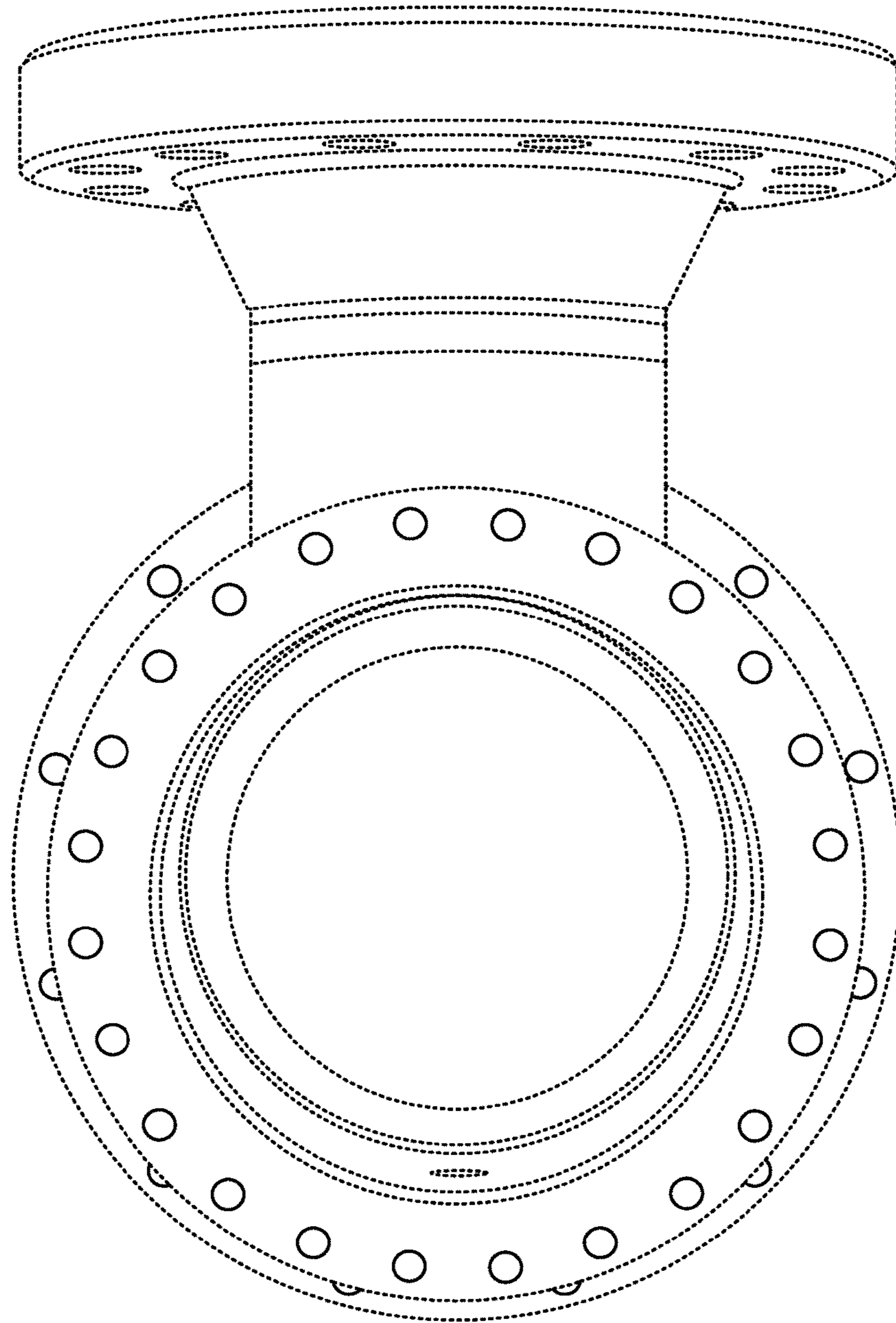


FIG. 4