



US00D780225S

(12) **United States Design Patent**
Hashimoto

(10) **Patent No.:** **US D780,225 S**

(45) **Date of Patent:** **** Feb. 28, 2017**

(54) **INTERNAL-COMBUSTION ENGINE**

(71) Applicant: **Honda Motor Co., Ltd.**, Tokyo (JP)

(72) Inventor: **Misako Hashimoto**, Wako (JP)

(73) Assignee: **HONDA MOTOR CO., LTD.**, Tokyo (JP)

(**) Term: **15 Years**

(21) Appl. No.: **29/540,438**

(22) Filed: **Sep. 24, 2015**

(30) **Foreign Application Priority Data**

Mar. 31, 2015 (JP) 2015-007116

(51) **LOC (10) Cl.** **15-01**

(52) **U.S. Cl.**
USPC **D15/1**

(58) **Field of Classification Search**
USPC D15/1-6; D13/184, 112; 123/195 C
CPC F02B 75/007; F02B 61/02; F02B 75/005;
F02B 2075/022; F02B 75/16; F02B
2075/1808; F02B 75/34; F02B
77/02; F02B 2700/03; F02B
2710/03; F02B 2730/011; F02B 63/02;
F02B 2075/027; F02B 2075/1816; F02B
2075/1824; F02B 2063/045; F01M
13/022; F01M 2013/0461; F01M 13/04;
F02F 7/0068; Y10S 55/14; F02M
35/0201

See application file for complete search history.

(56) **References Cited**

U.S. PATENT DOCUMENTS

D396,045 S * 7/1998 Neeley D15/1
D513,012 S * 12/2005 Strandell D15/5
D513,754 S * 1/2006 Strandell D15/5

D525,991 S * 8/2006 Walters D15/5
D531,638 S * 11/2006 Drew D15/1
D583,831 S * 12/2008 Post D15/5
D628,596 S * 12/2010 Azuma D15/1
D734,721 S * 7/2015 Fujiwara D13/112
2011/0017159 A1* 1/2011 Schneiker F01L 1/146
123/90.23
2011/0020151 A1* 1/2011 Tiefenthaler E01H 1/0809
417/363

(Continued)

Primary Examiner — T. Chase Nelson

Assistant Examiner — Ania Aman

(74) *Attorney, Agent, or Firm* — Westerman, Hattori,
Daniels & Adrian, LLP

(57) **CLAIM**

The ornamental design for an internal-combustion engine, as shown and described.

DESCRIPTION

FIG. 1 is a first perspective view of an internal-combustion engine;

FIG. 2 is a second perspective view of the internal-combustion engine;

FIG. 3 is a front elevation view of the internal-combustion engine;

FIG. 4 is a rear elevation view of the internal-combustion engine;

FIG. 5 is a top plan view of the internal-combustion engine;

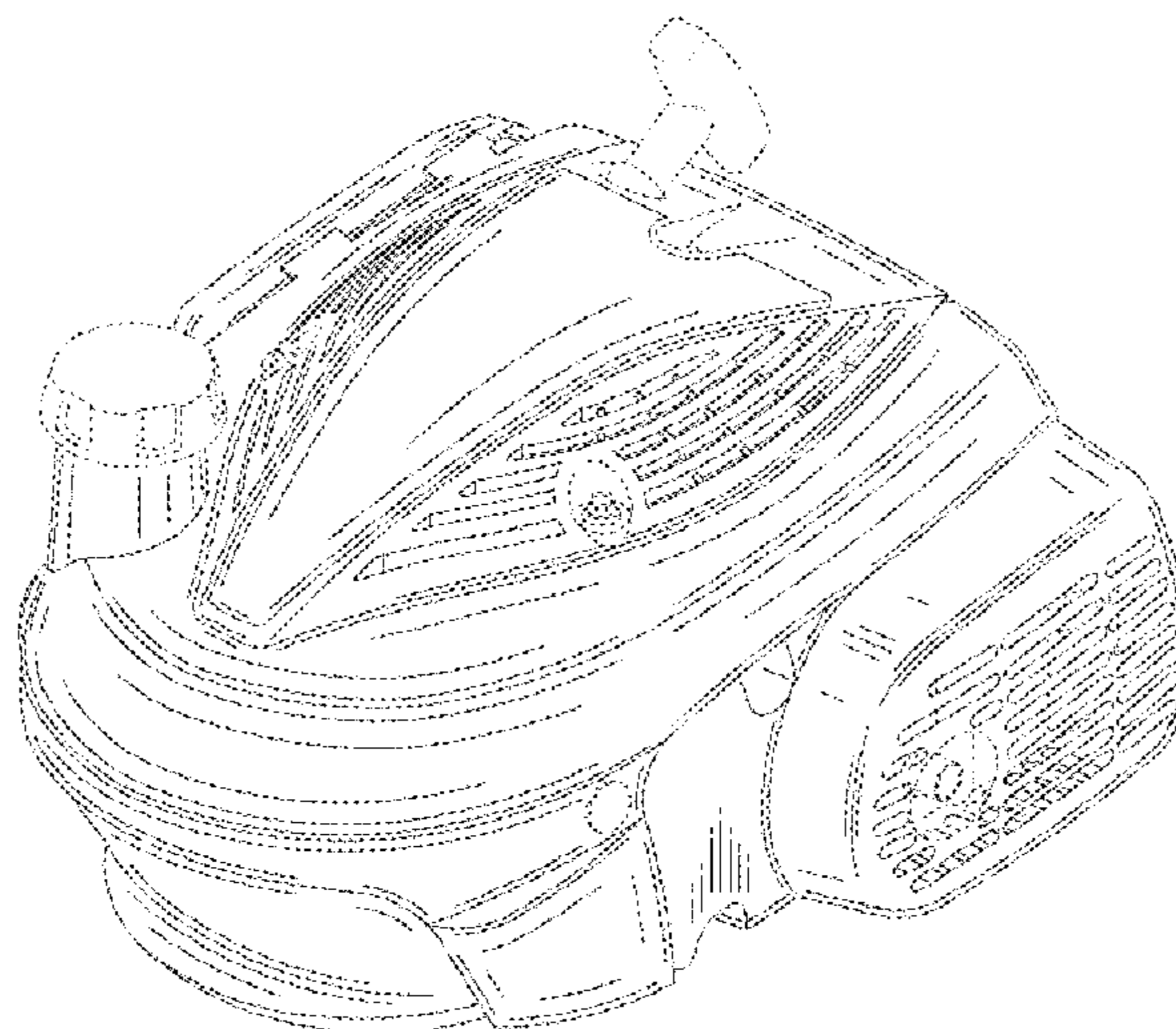
FIG. 6 is a bottom plan view of the internal-combustion engine;

FIG. 7 is a right side elevation view of the internal-combustion engine; and,

FIG. 8 is a left side elevation view of the internal-combustion engine.

In the drawings, the broken lines depict portions of the internal-combustion engine that form no part of the claimed design.

1 Claim, 8 Drawing Sheets



(56)

References Cited

U.S. PATENT DOCUMENTS

2013/0019822 A1* 1/2013 Raasch F02N 3/02
123/41.65
2015/0361932 A1* 12/2015 Kakuk F02B 75/00
55/385.3

* cited by examiner

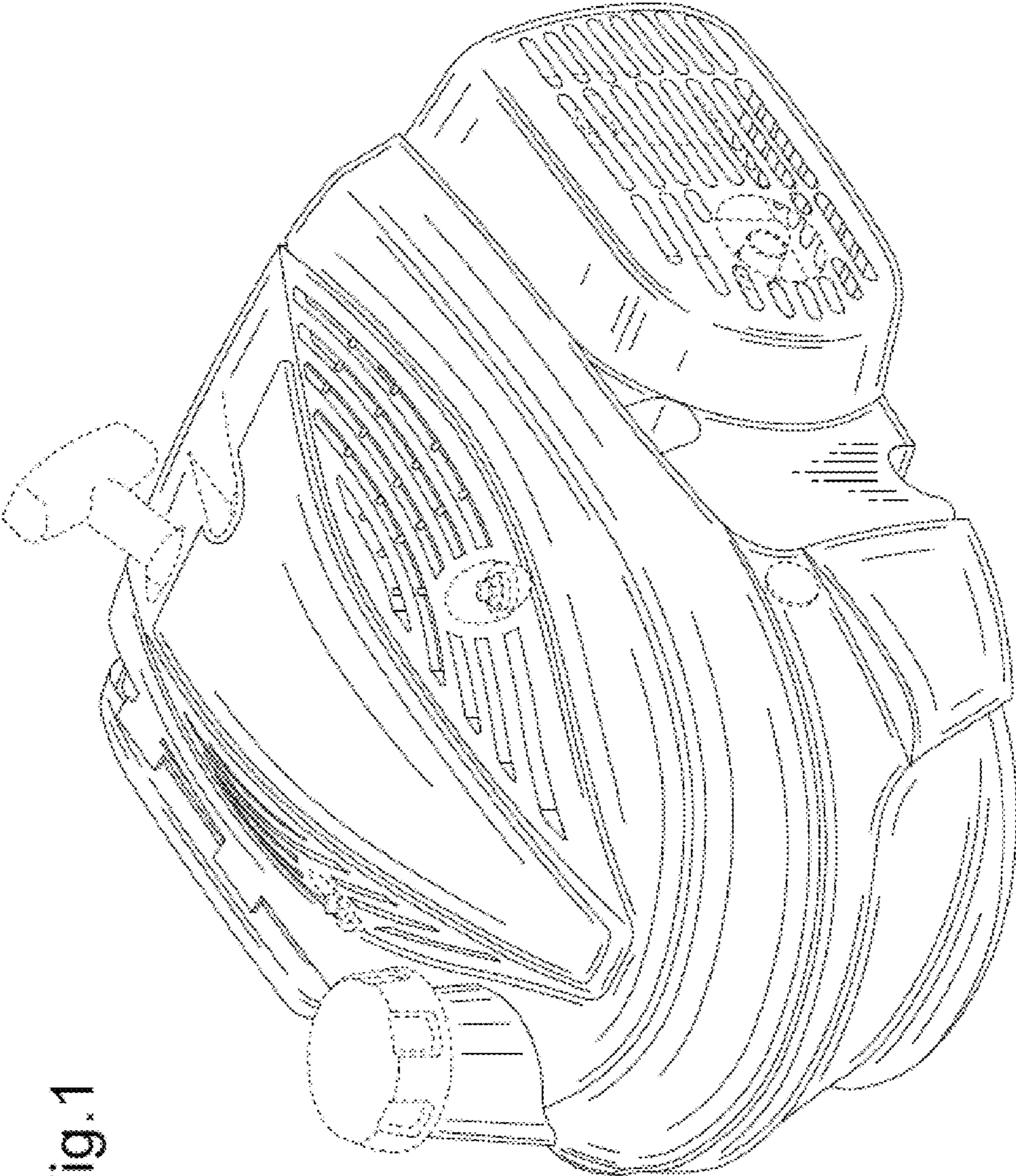


Fig.1

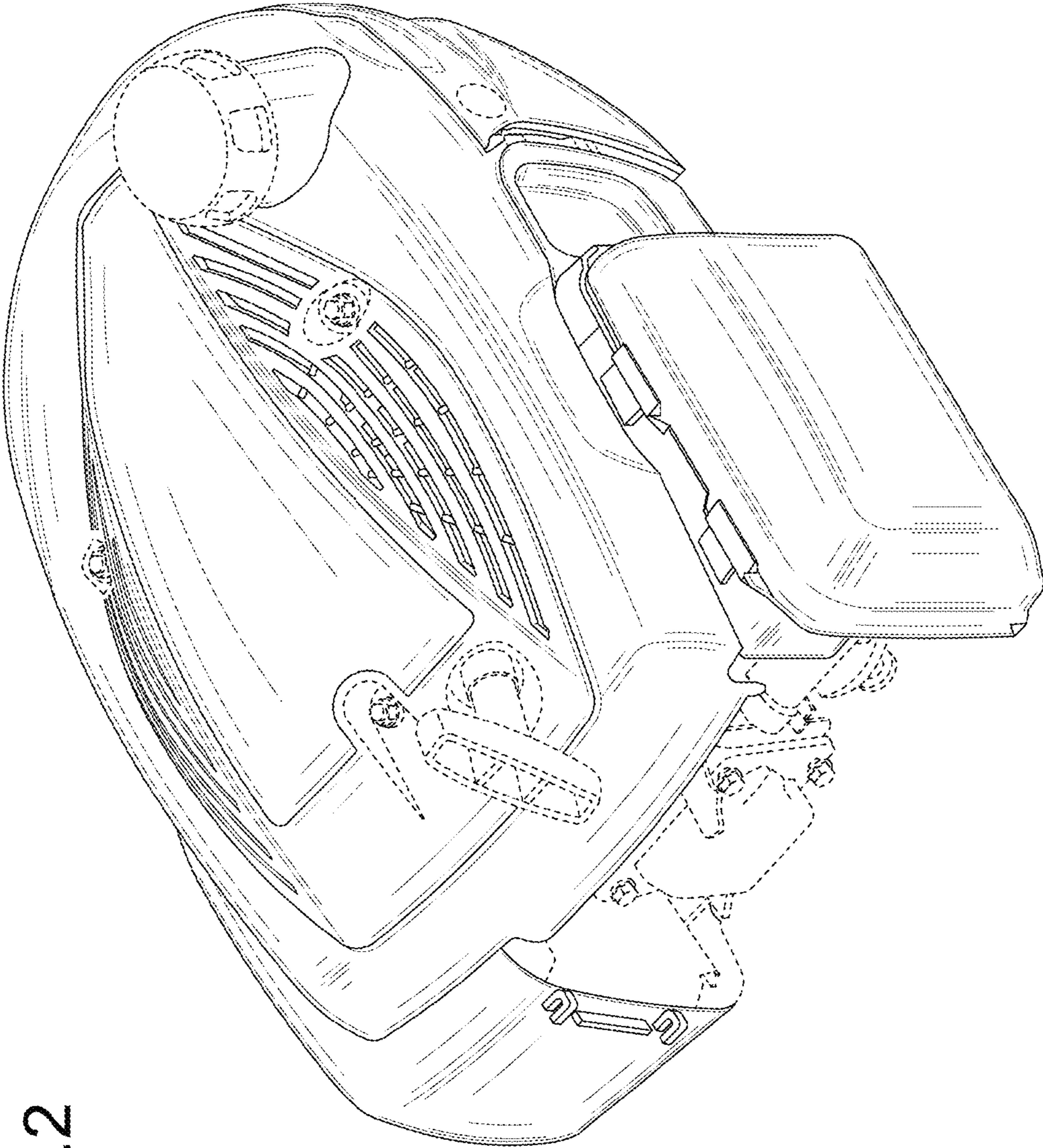


Fig.2

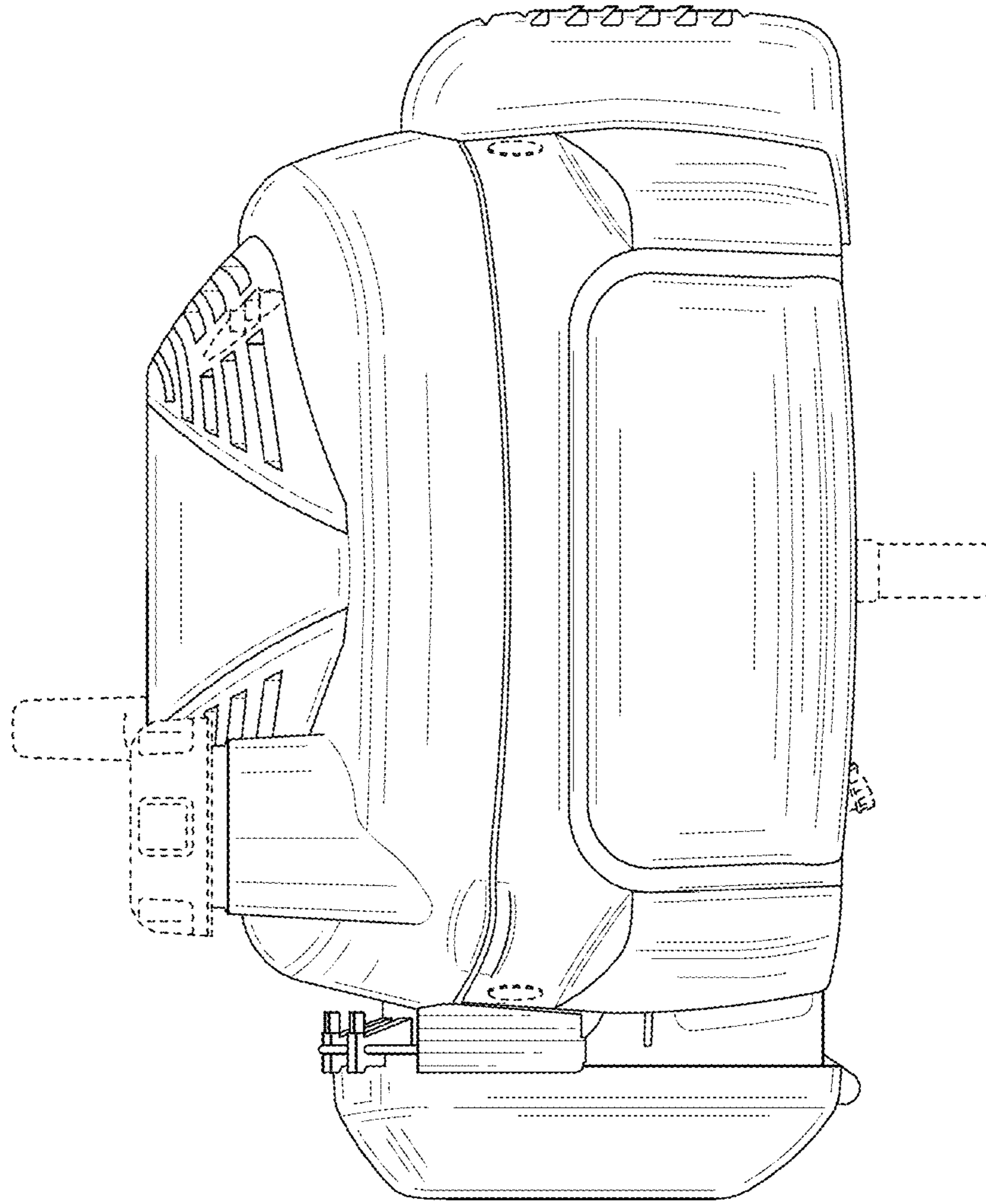


Fig.3

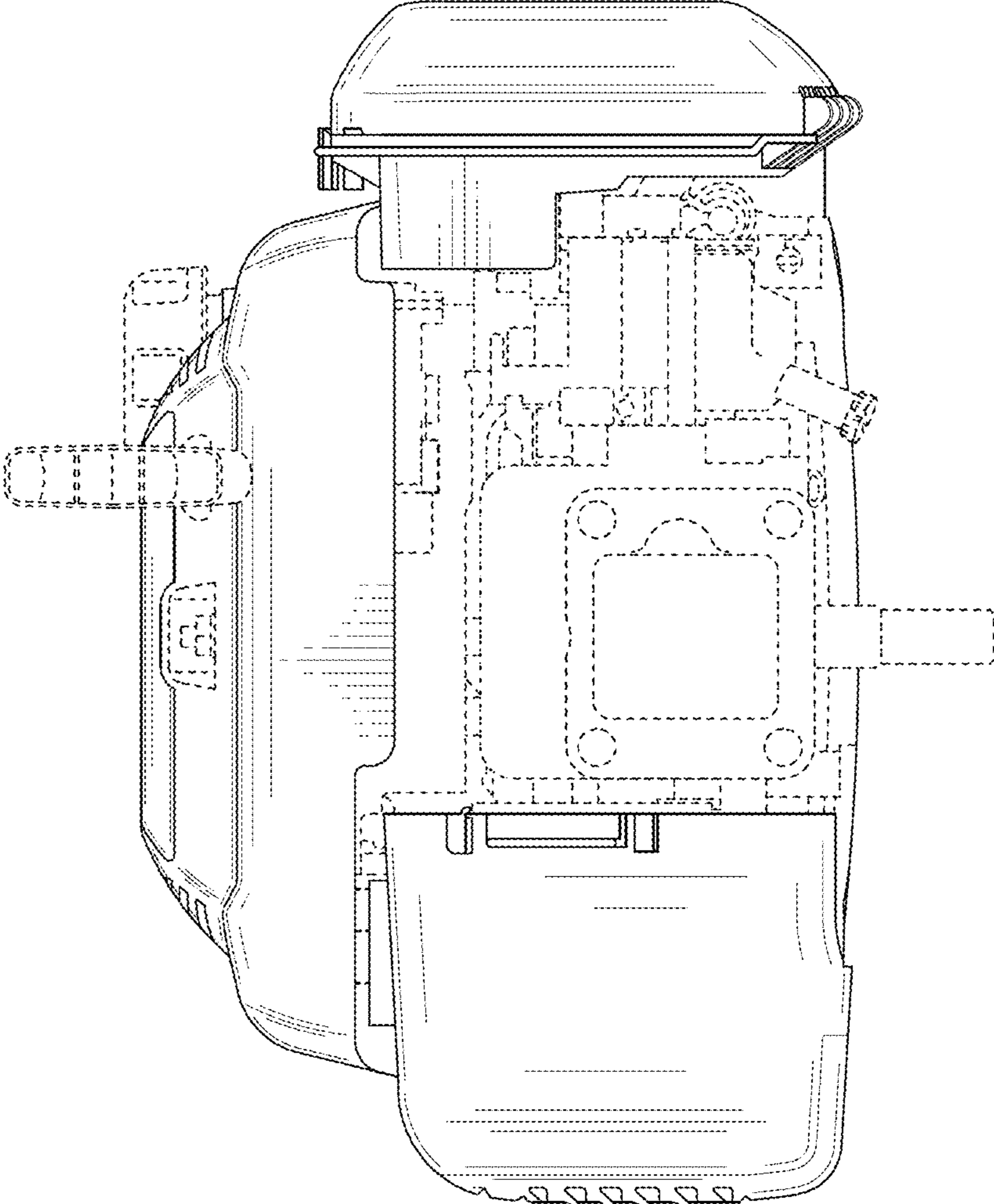


Fig.4

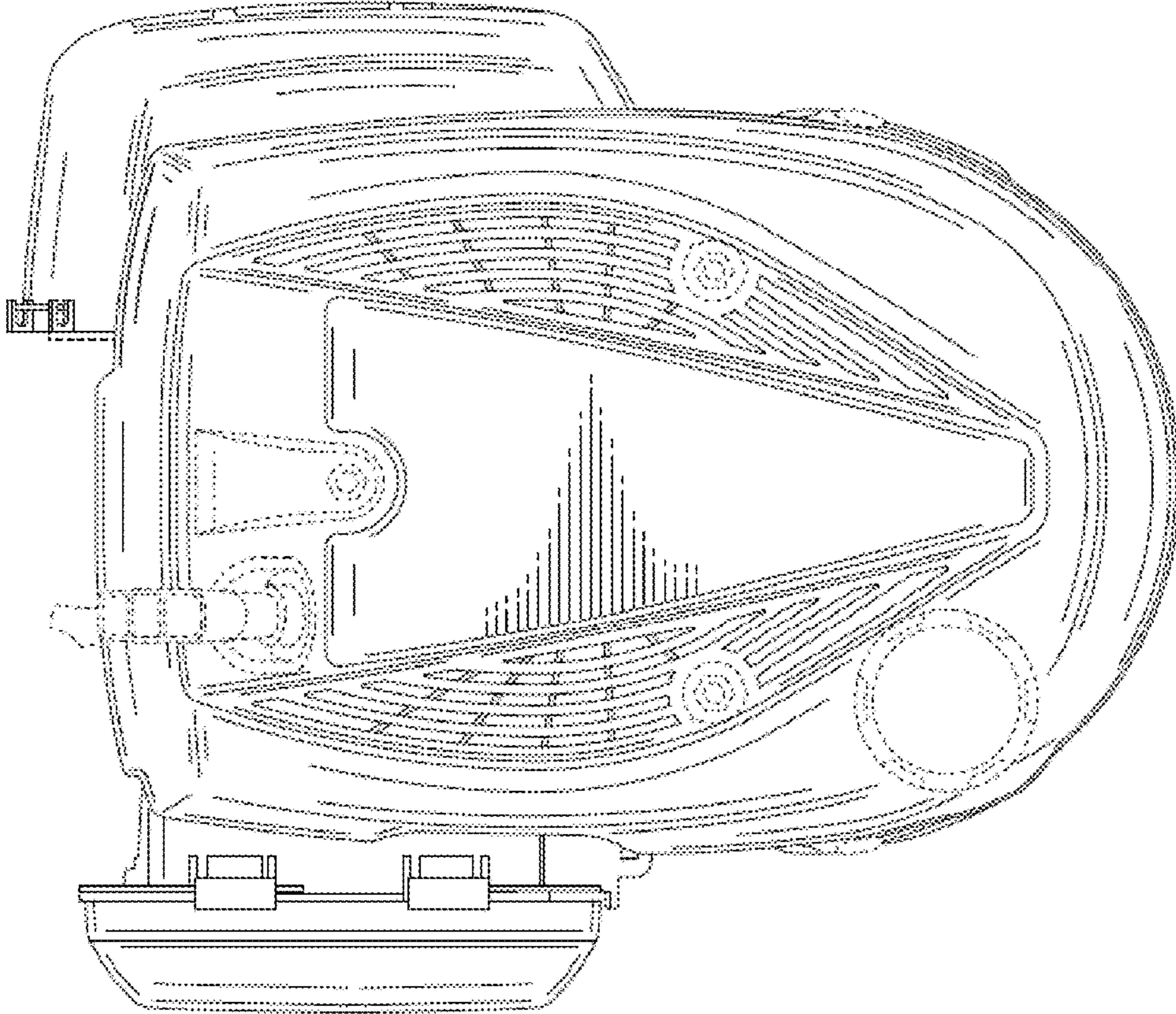


Fig. 5

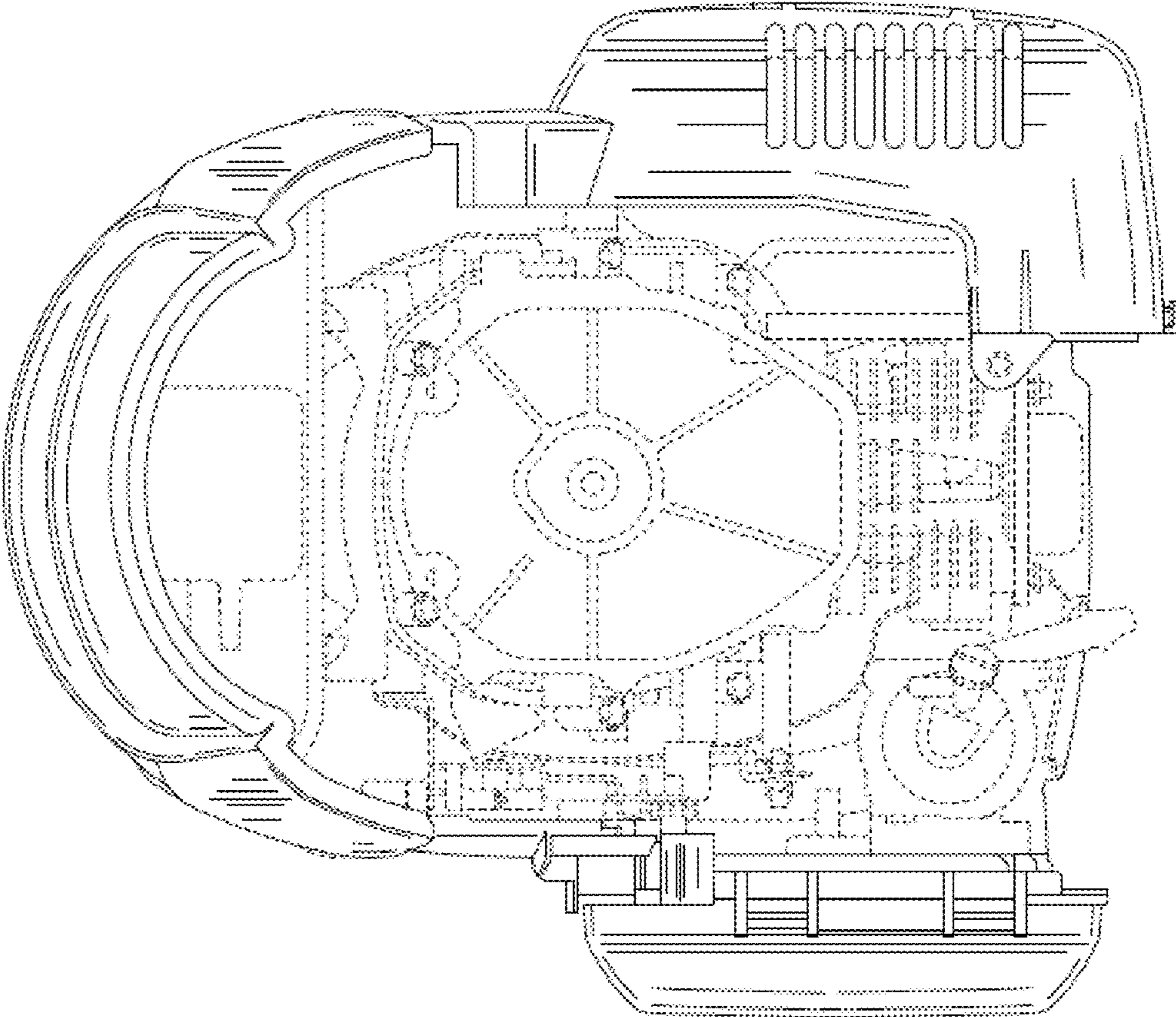


Fig. 6

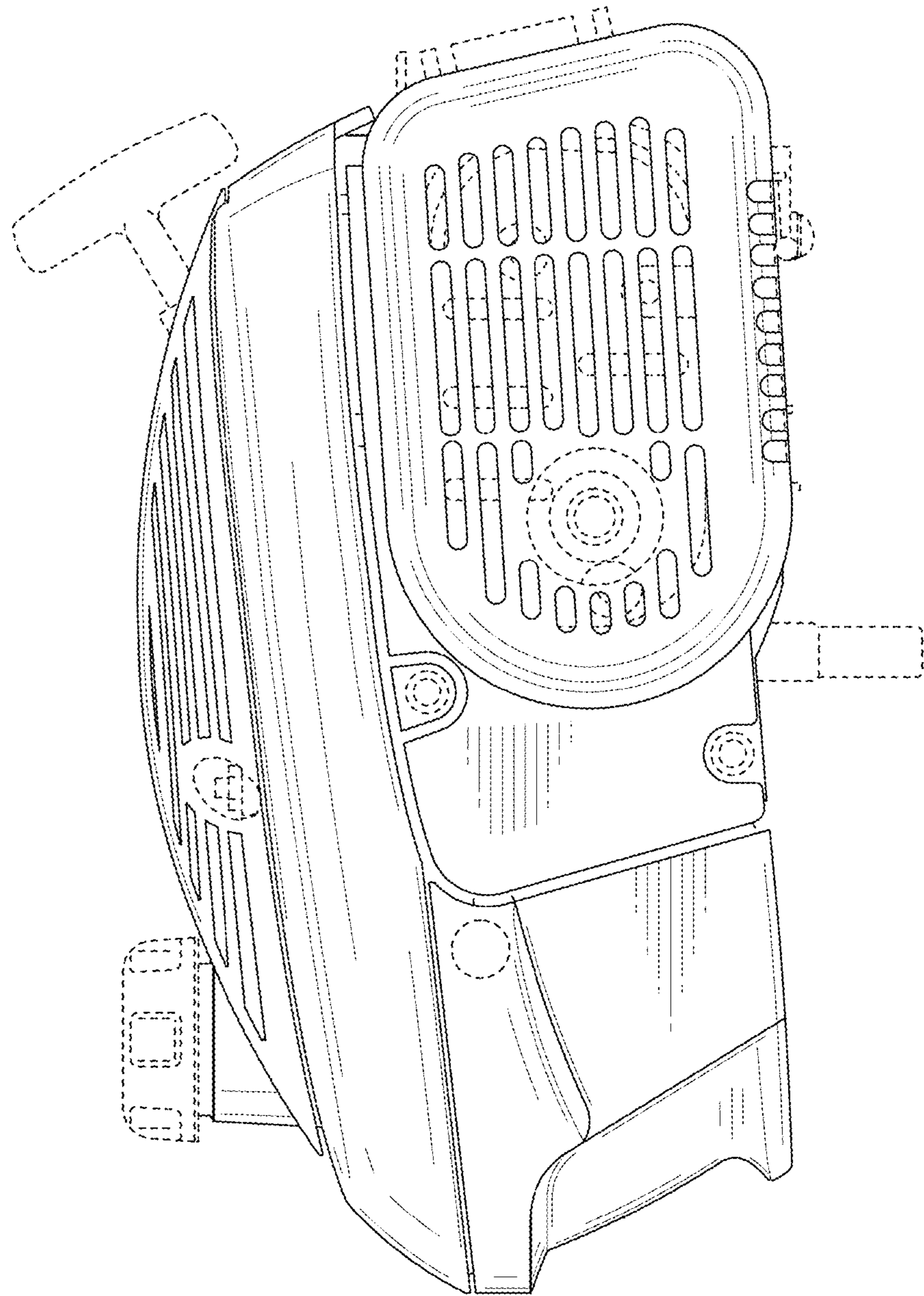


Fig. 7

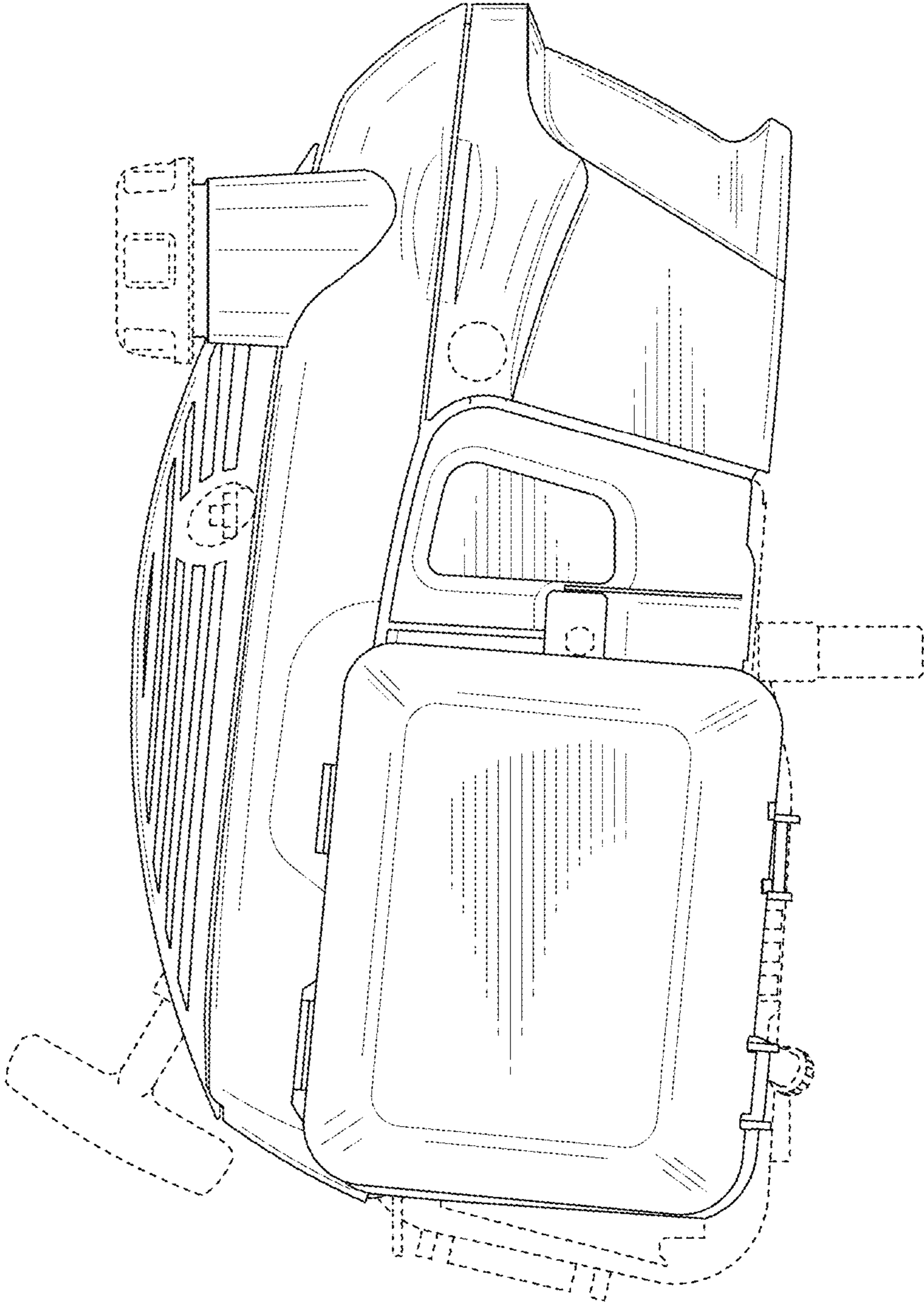


Fig.8