



US00D780216S

(12) **United States Design Patent** (10) **Patent No.:** **US D780,216 S**
Kisselev et al. (45) **Date of Patent:** **** Feb. 28, 2017**

(54) **DISPLAY SCREEN WITH ANIMATED GRAPHICAL USER INTERFACE**

(71) Applicant: **Microsoft Corporation**, Redmond, WA (US)

(72) Inventors: **Sergey Kisselev**, Woodinville, WA (US); **Harold Gomez**, Seattle, WA (US)

(73) Assignee: **Microsoft Corporation**, Redmond, WA (US)

(**) Term: **15 Years**

(21) Appl. No.: **29/534,289**

(22) Filed: **Jul. 28, 2015**

(51) **LOC (10) Cl.** **14-04**

(52) **U.S. Cl.**
USPC **D14/488**

(58) **Field of Classification Search**
USPC D14/485–495
CPC G06F 3/048; G06F 3/0481; G06F 3/04812; G06F 3/04815; G06F 3/04817; G06F 3/0482; G06F 3/0483; G06F 3/0484; G06F 3/04842; G06F 3/04845; G06F 3/04847; G06F 3/0485; G06F 3/04855; G06F 3/0486; G06F 3/0487; G06F 3/0488; G06F 3/04883; G06F 3/04886; H04N 1/00424

See application file for complete search history.

(56) **References Cited**

U.S. PATENT DOCUMENTS

D615,546 S * 5/2010 Lundy D14/485
D626,131 S * 10/2010 Kruzeniski D14/485
D682,850 S * 5/2013 Del Pasqua D14/485
D691,171 S * 10/2013 Brinda D14/488

D699,745 S * 2/2014 Pearson D14/488
D701,226 S * 3/2014 Jung D14/486
D703,693 S * 4/2014 Brinda D14/488
D721,084 S * 1/2015 Kimball D14/485
D725,141 S * 3/2015 Izotov D14/486
D759,061 S * 6/2016 Sahoo D14/485

(Continued)

Primary Examiner — Melanie H Tung

Assistant Examiner — Bao-Yen Nguyen

(74) *Attorney, Agent, or Firm* — Banner & Witcoff, Ltd.

(57) **CLAIM**

The ornamental design for a display screen with animated graphical user interface, as shown and described.

DESCRIPTION

FIG. 1 is the first image in a sequence for a display screen with animated graphical user interface showing our new design;

FIG. 2 is the second image thereof;

FIG. 3 is the third image thereof;

FIG. 4 is the fourth image thereof;

FIG. 5 is the fifth image thereof;

FIG. 6 is the sixth image thereof;

FIG. 7 is the seventh image thereof;

FIG. 8 is the eighth image thereof;

FIG. 9 is the ninth image thereof;

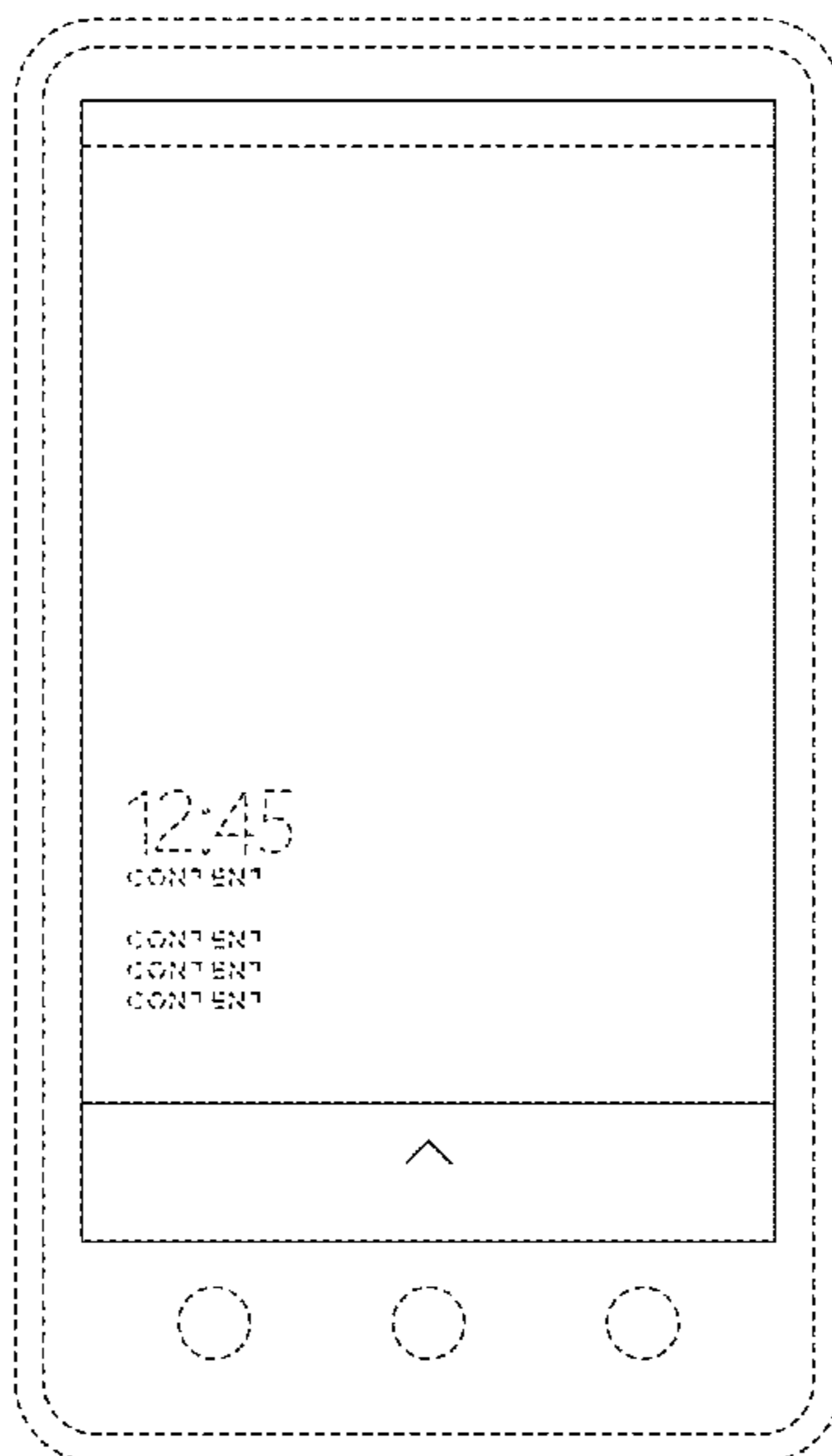
FIG. 10 is the tenth image thereof; and

FIG. 11 is the eleventh image thereof; and,

FIG. 12 is the twelfth image thereof.

The appearance of the animated graphical user interface sequentially transitions between the images shown in FIGS. 1-12. The process or period in which one image transitions to another forms no part of the claimed design. The broken line showing the display screen forms no part of the claimed design. The broken lines showing text and portions of the graphical user interface form no part of the claimed design.

1 Claim, 12 Drawing Sheets



(56)

References Cited

U.S. PATENT DOCUMENTS

D759,682	S	*	6/2016	Myung	D14/485
D759,687	S	*	6/2016	Chang	D14/486
D760,735	S	*	7/2016	Cheng	D14/485
D760,738	S	*	7/2016	Scalisi	D14/485
D762,672	S	*	8/2016	Lee	D14/485
D763,271	S	*	8/2016	Everette	D14/485
D763,293	S	*	8/2016	Lee	D14/486
D763,308	S	*	8/2016	Wang	D14/486
D765,097	S	*	8/2016	Harvell	D14/485
D765,674	S	*	9/2016	Kim	D14/485
2010/0175022	A1	*	7/2010	Diehl	G06F 3/0481 715/784

* cited by examiner

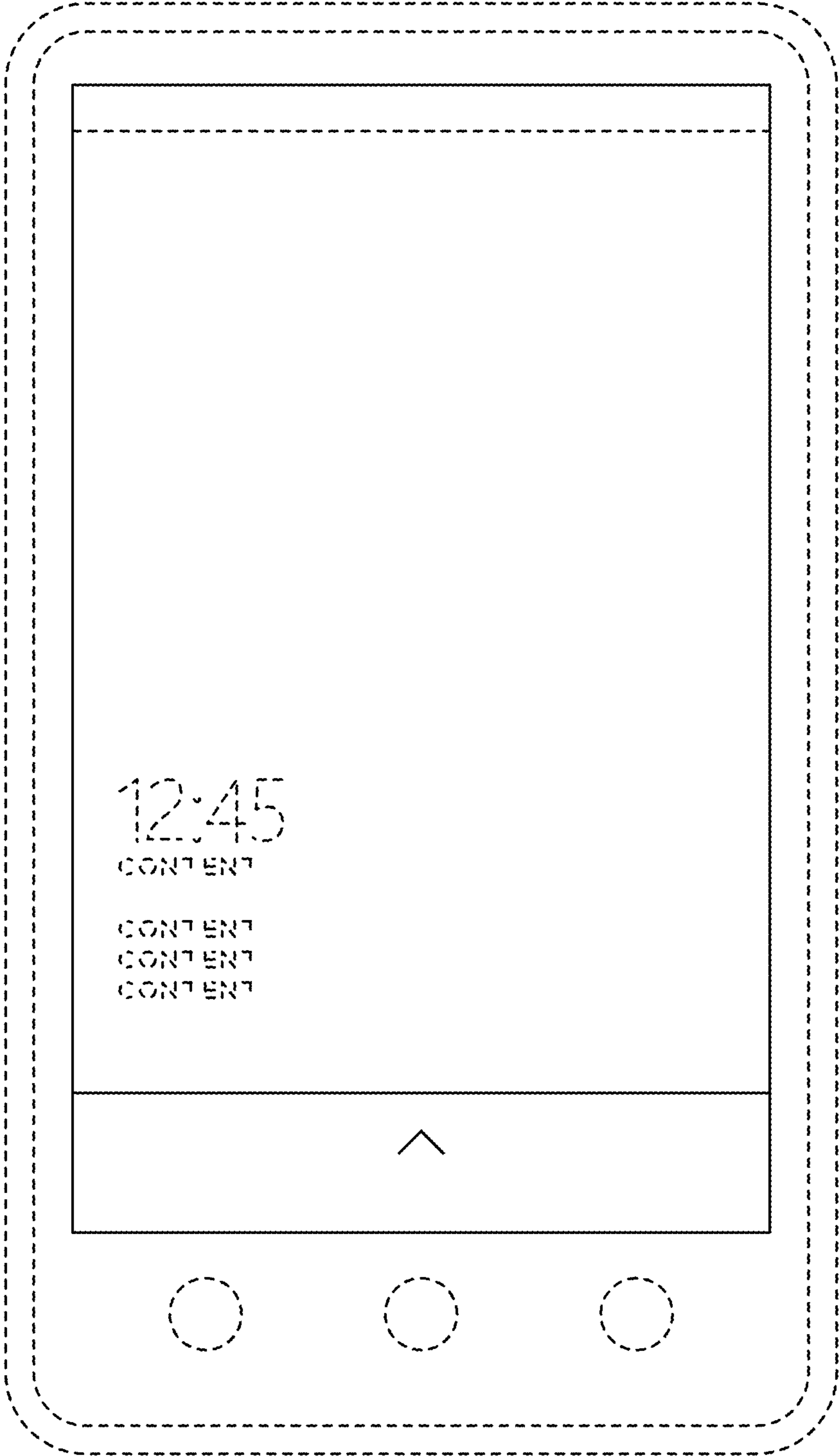


FIG. 1

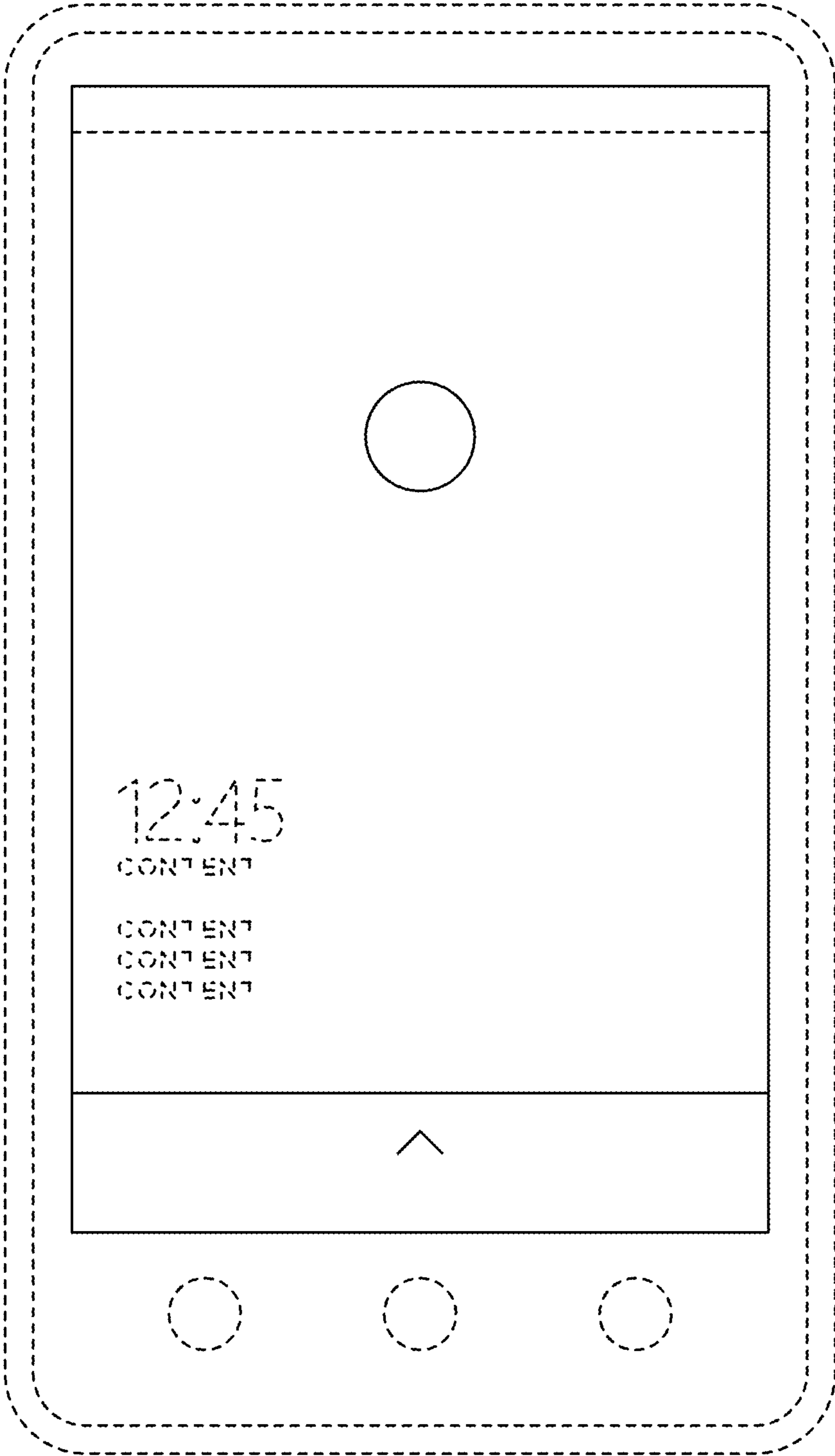


FIG. 2

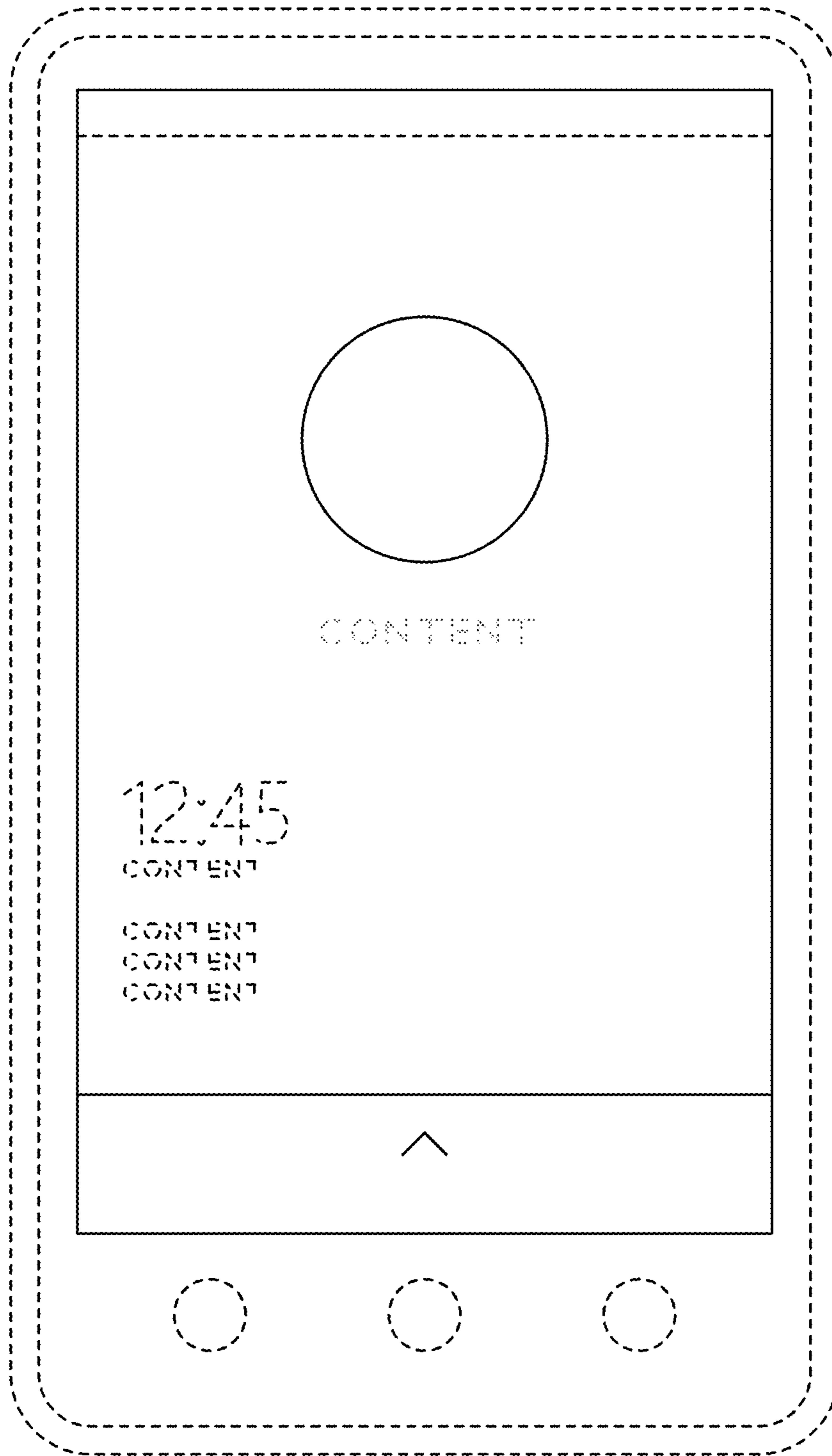


FIG. 3

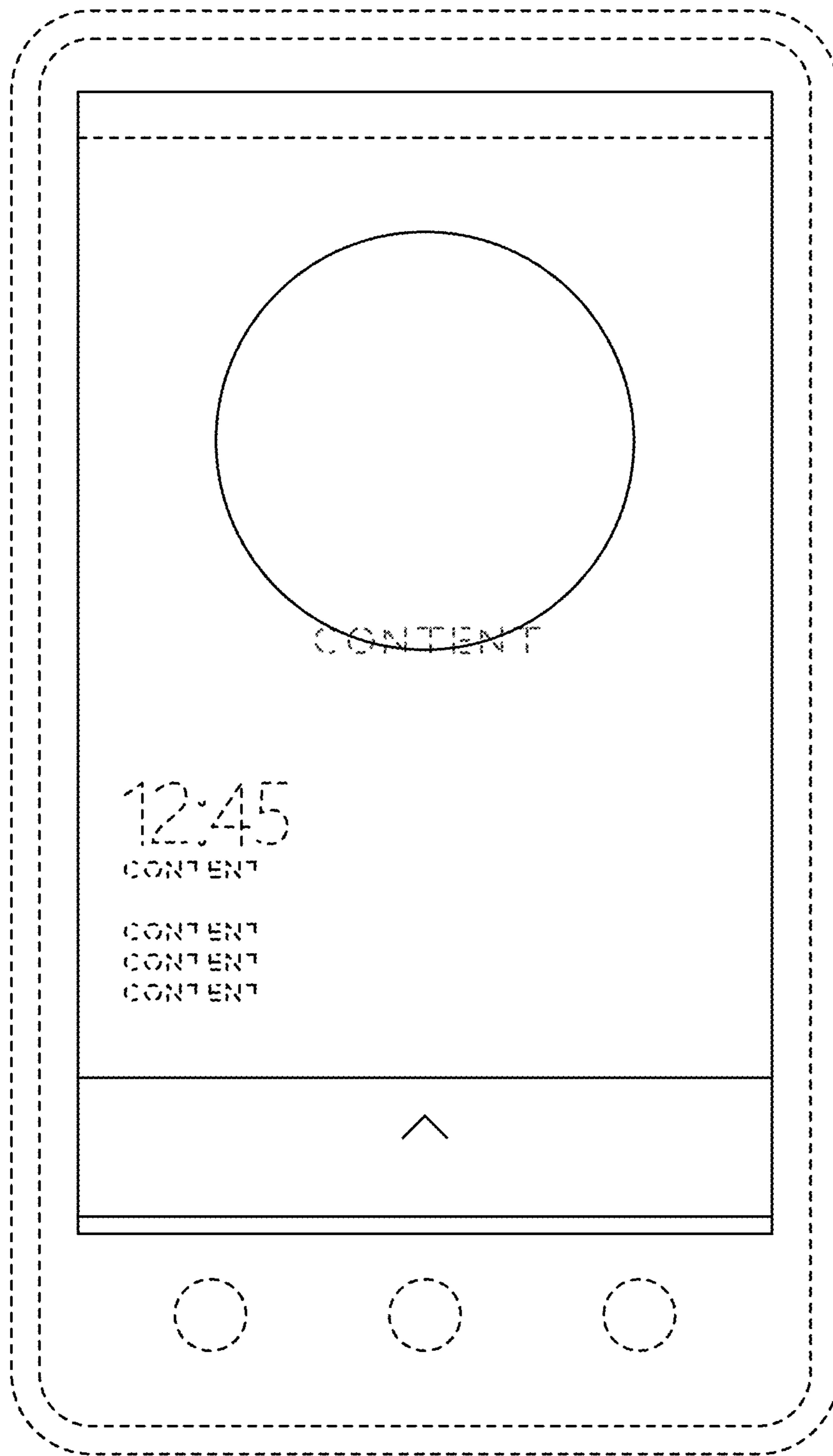


FIG. 4

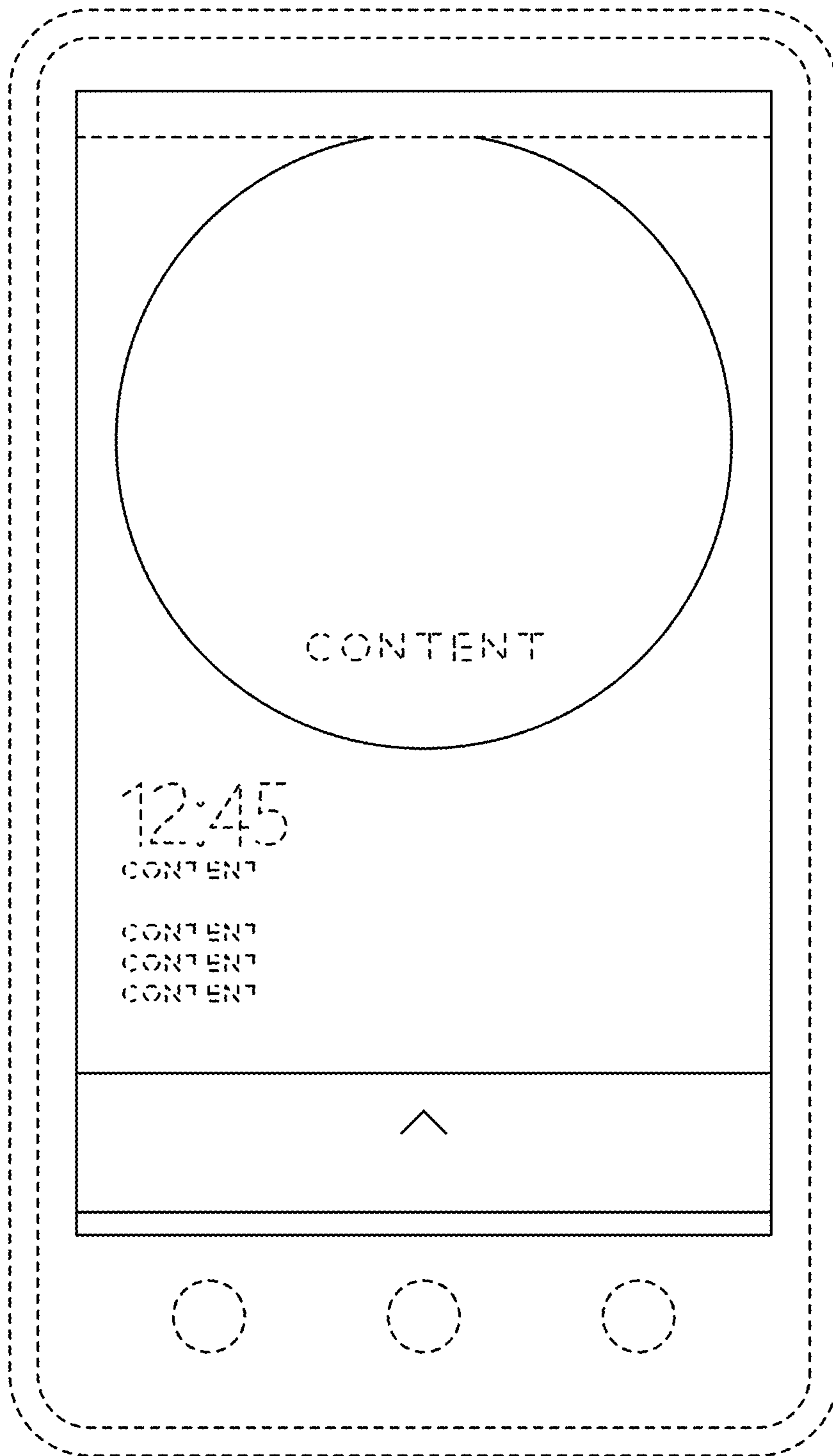


FIG. 5

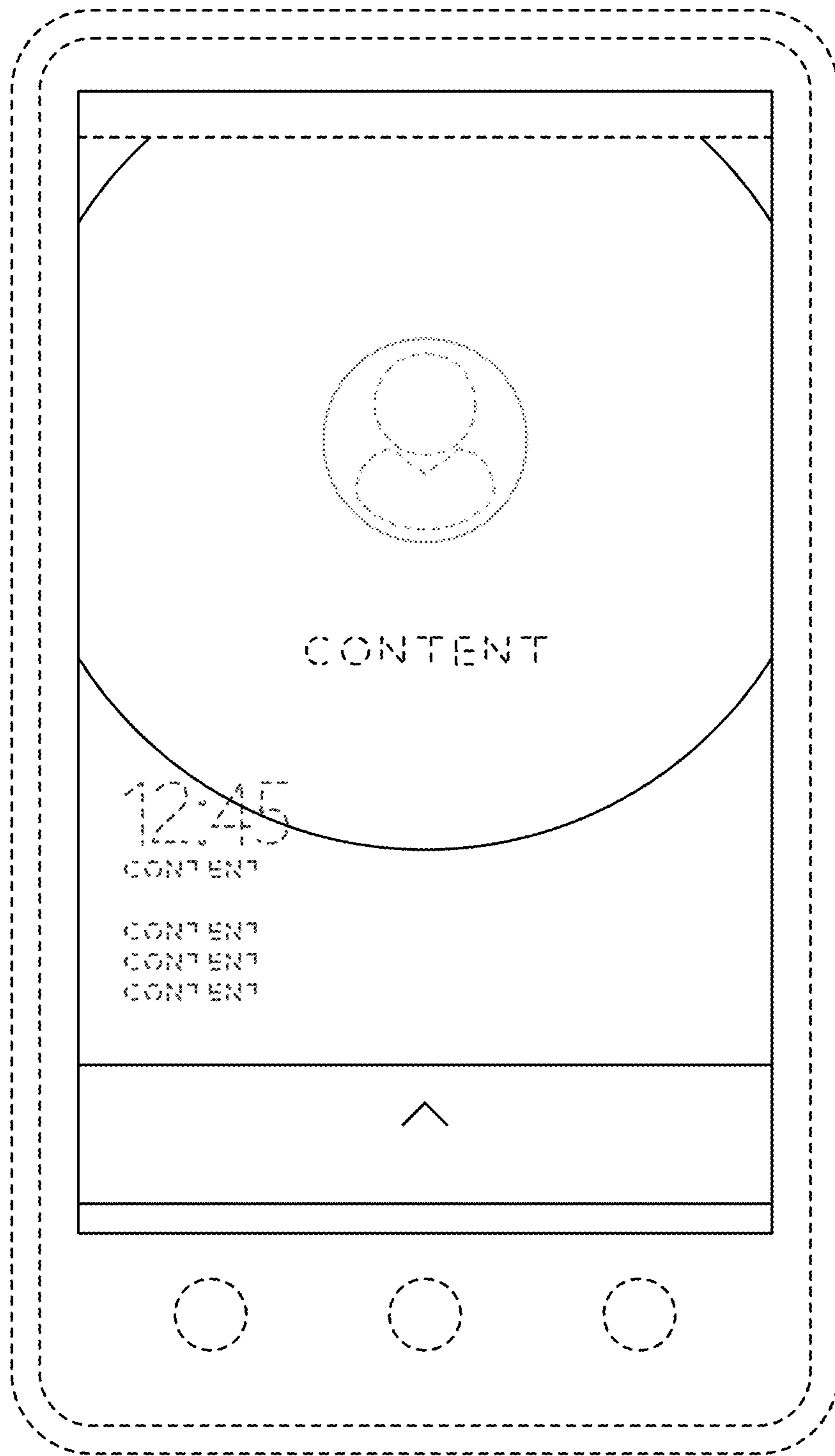


FIG. 6

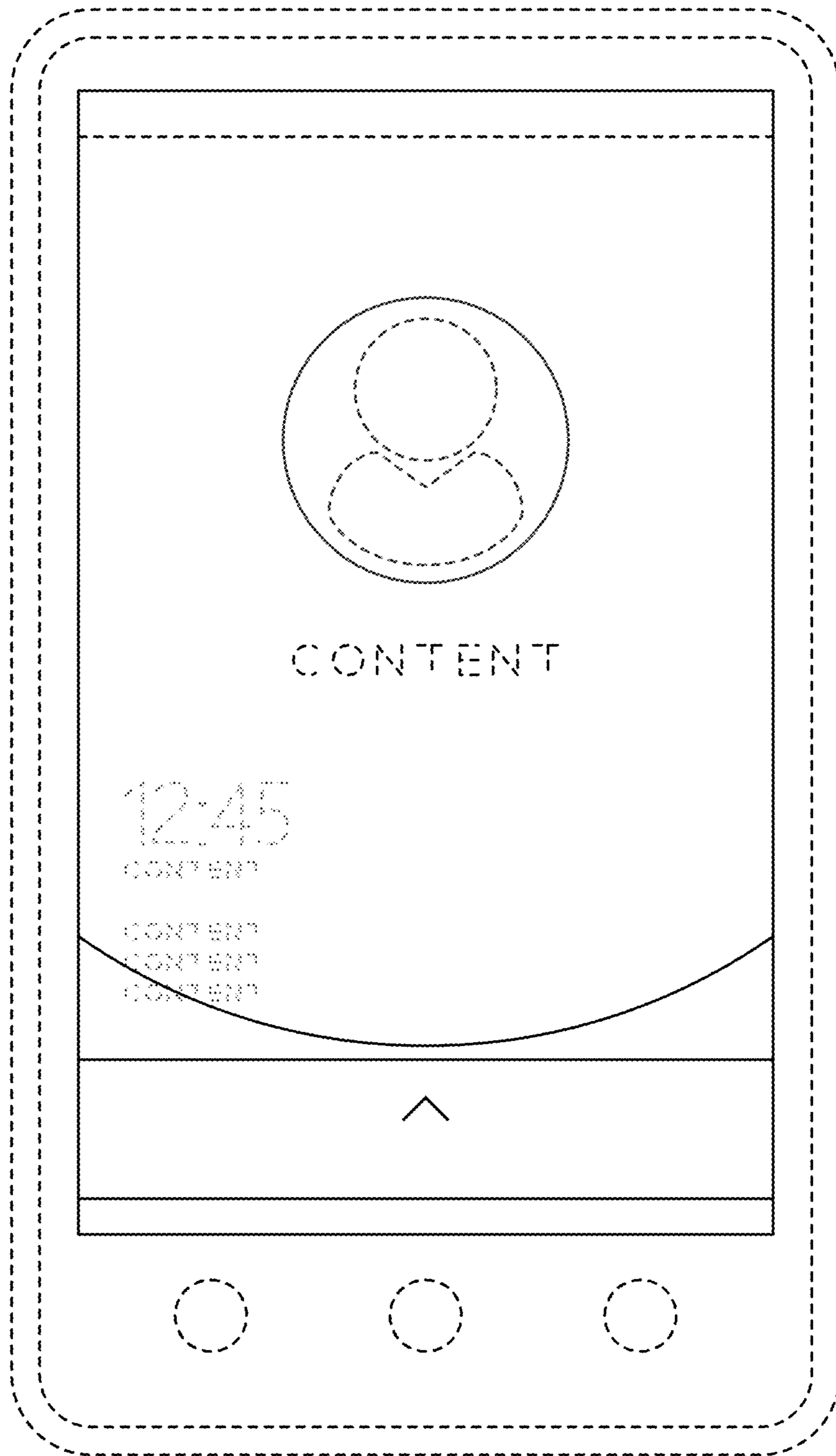


FIG. 7

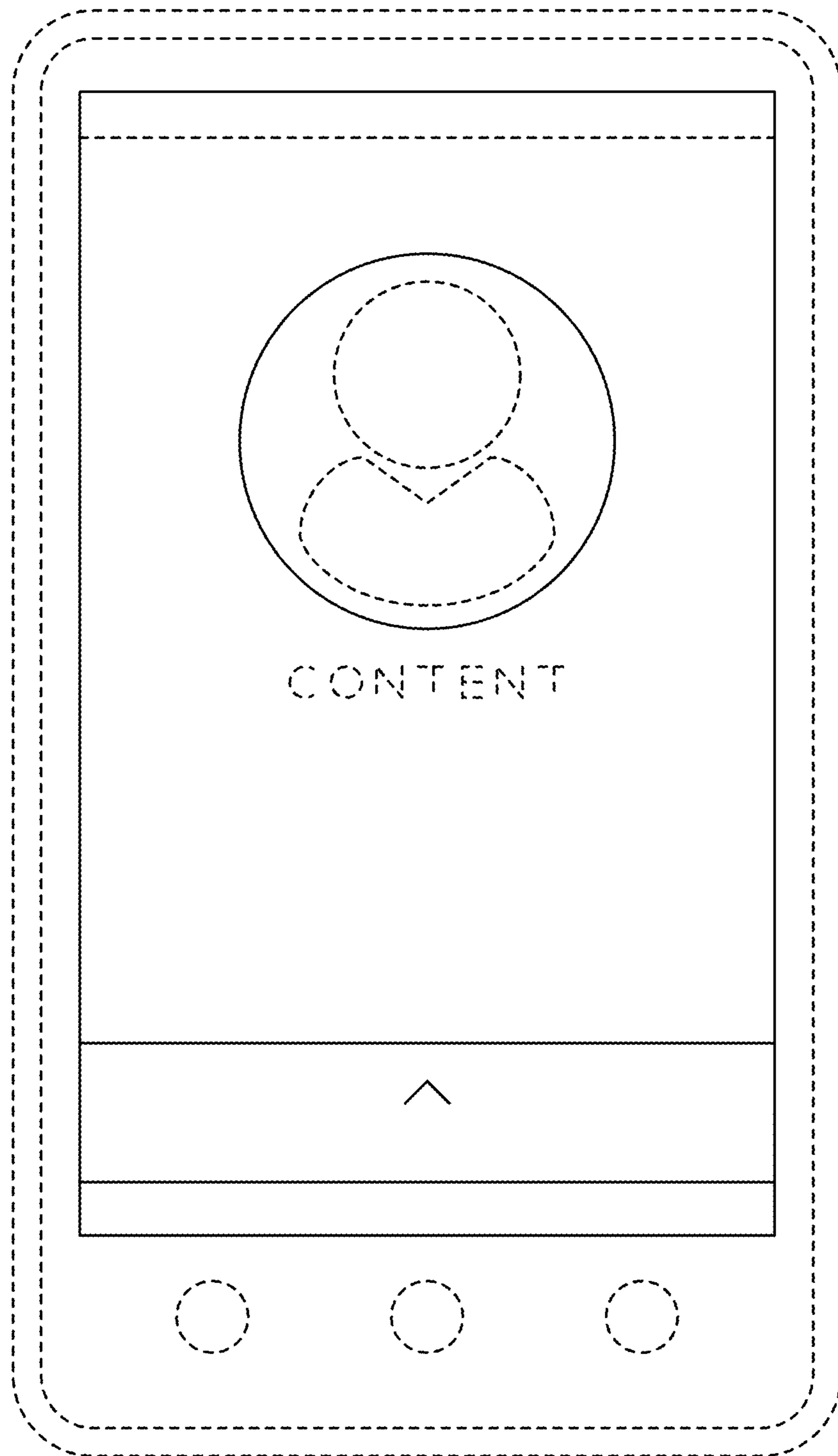


FIG. 8

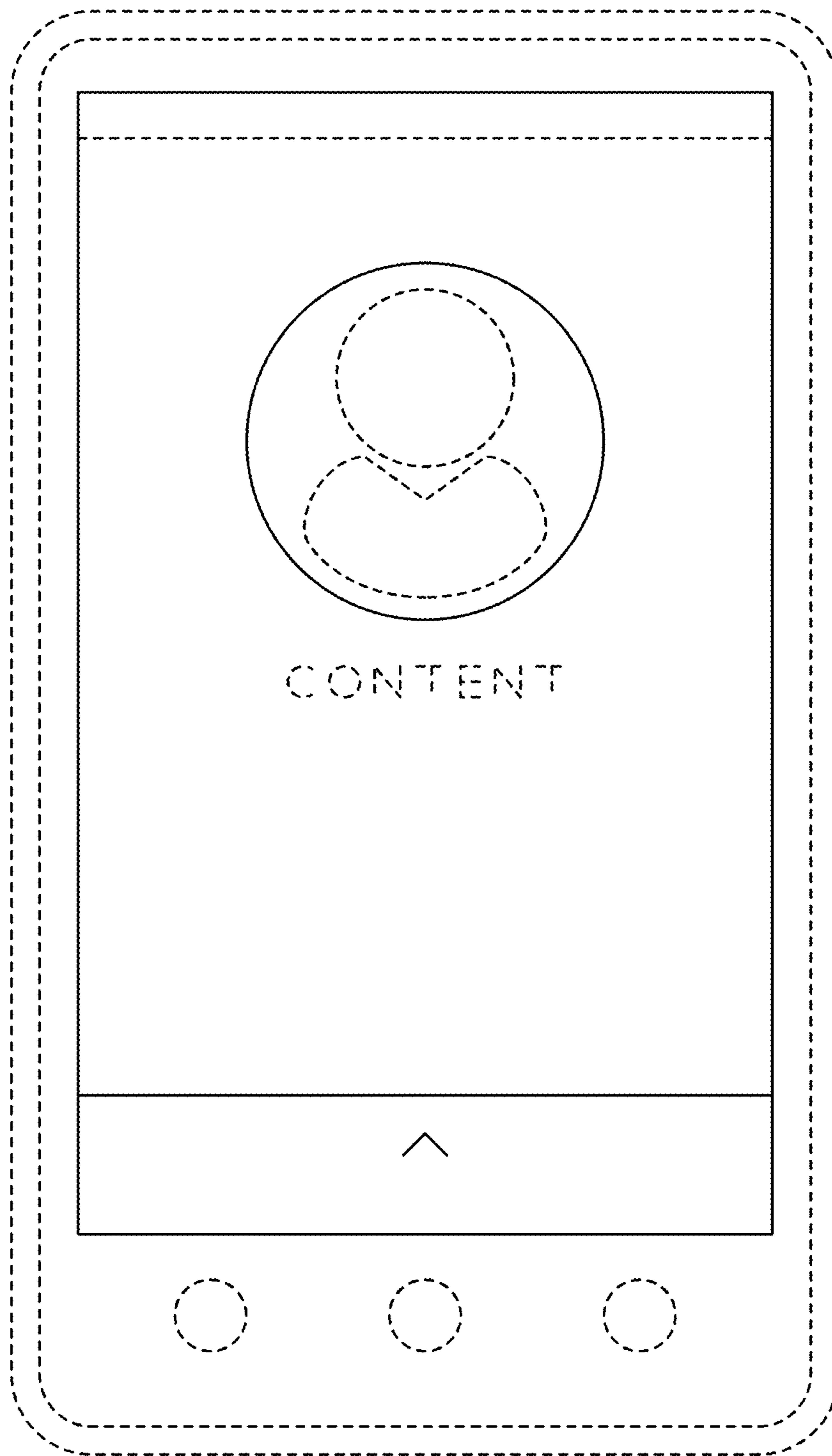


FIG. 9

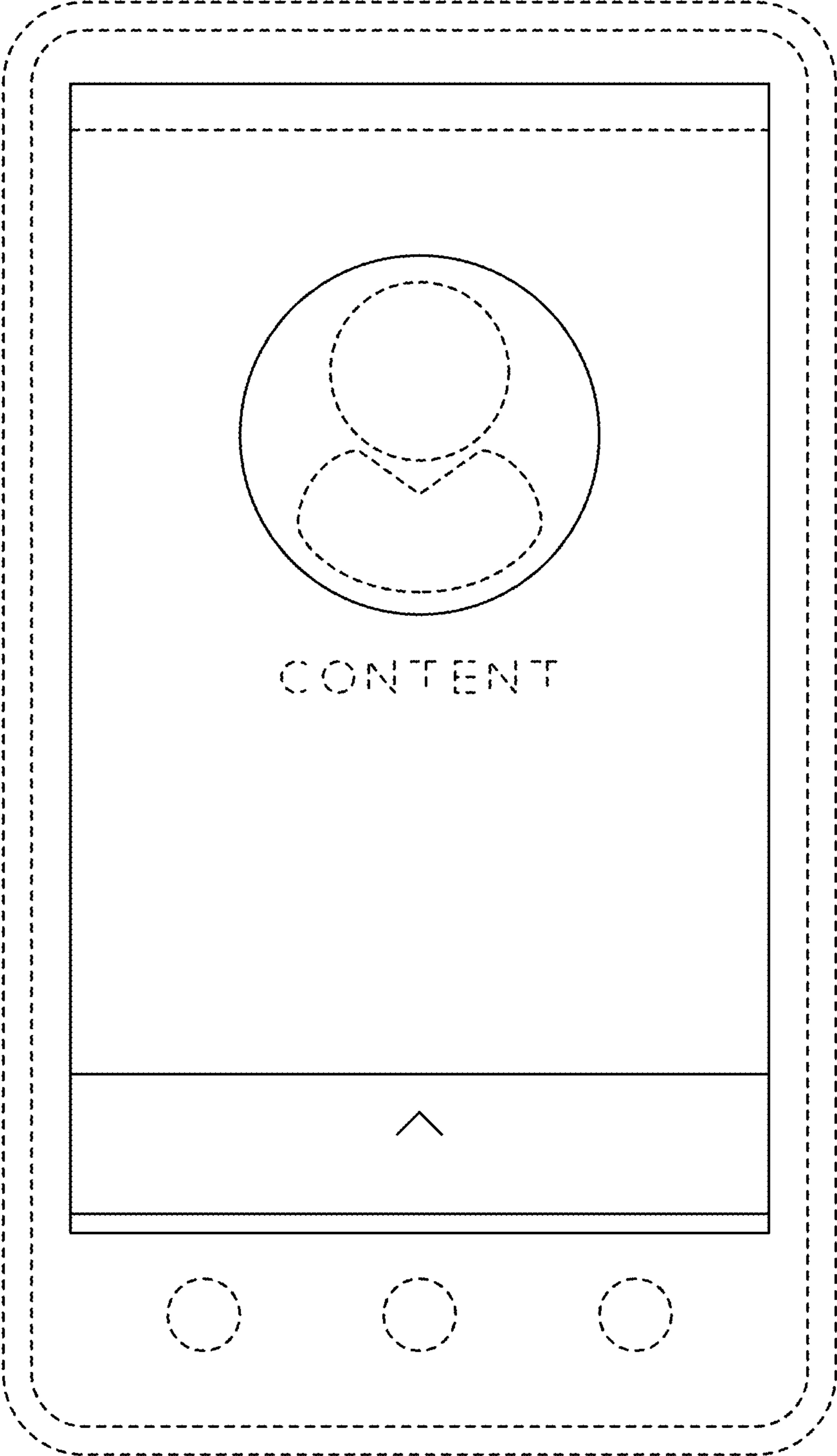


FIG. 10

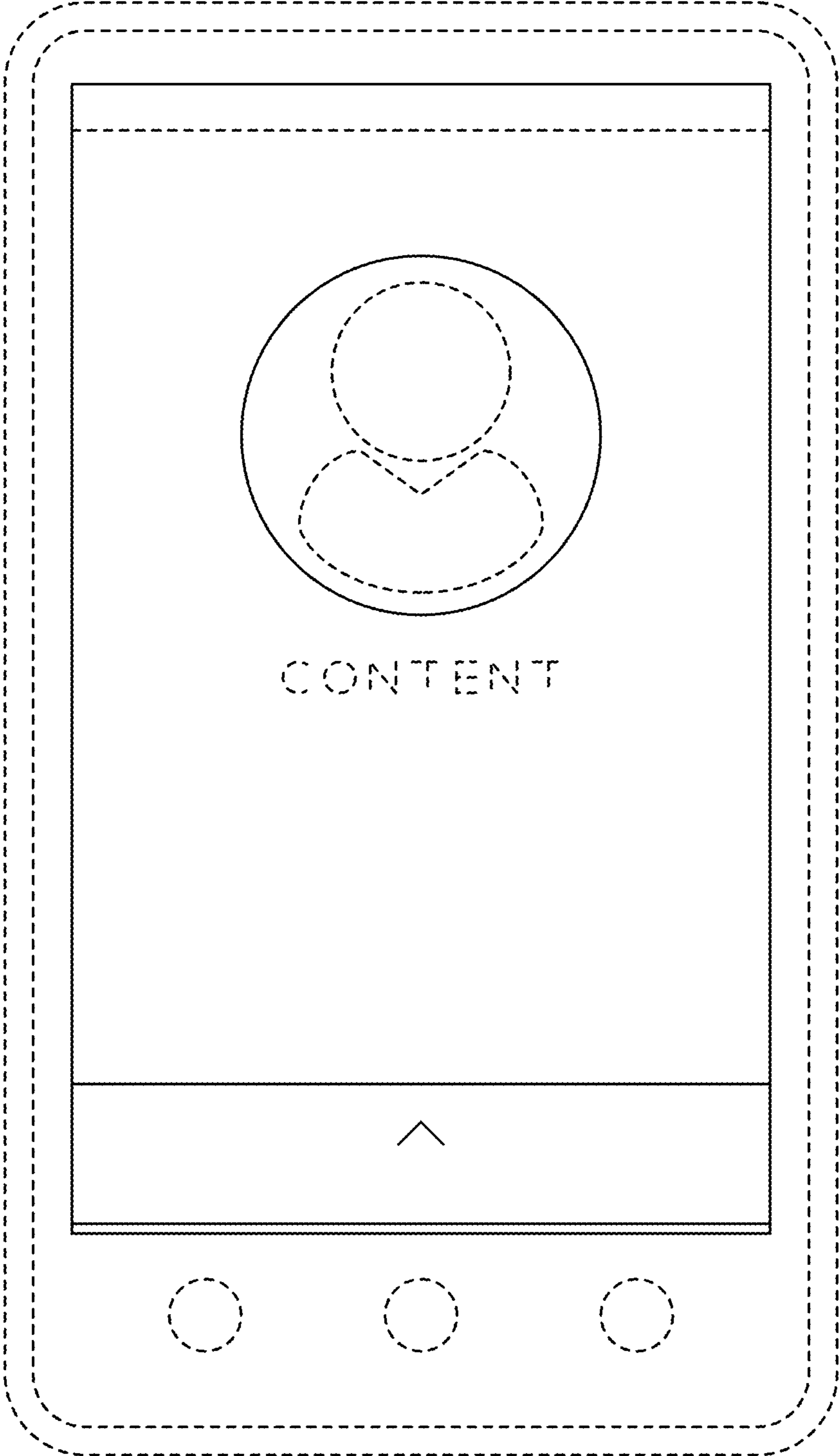


FIG. 11

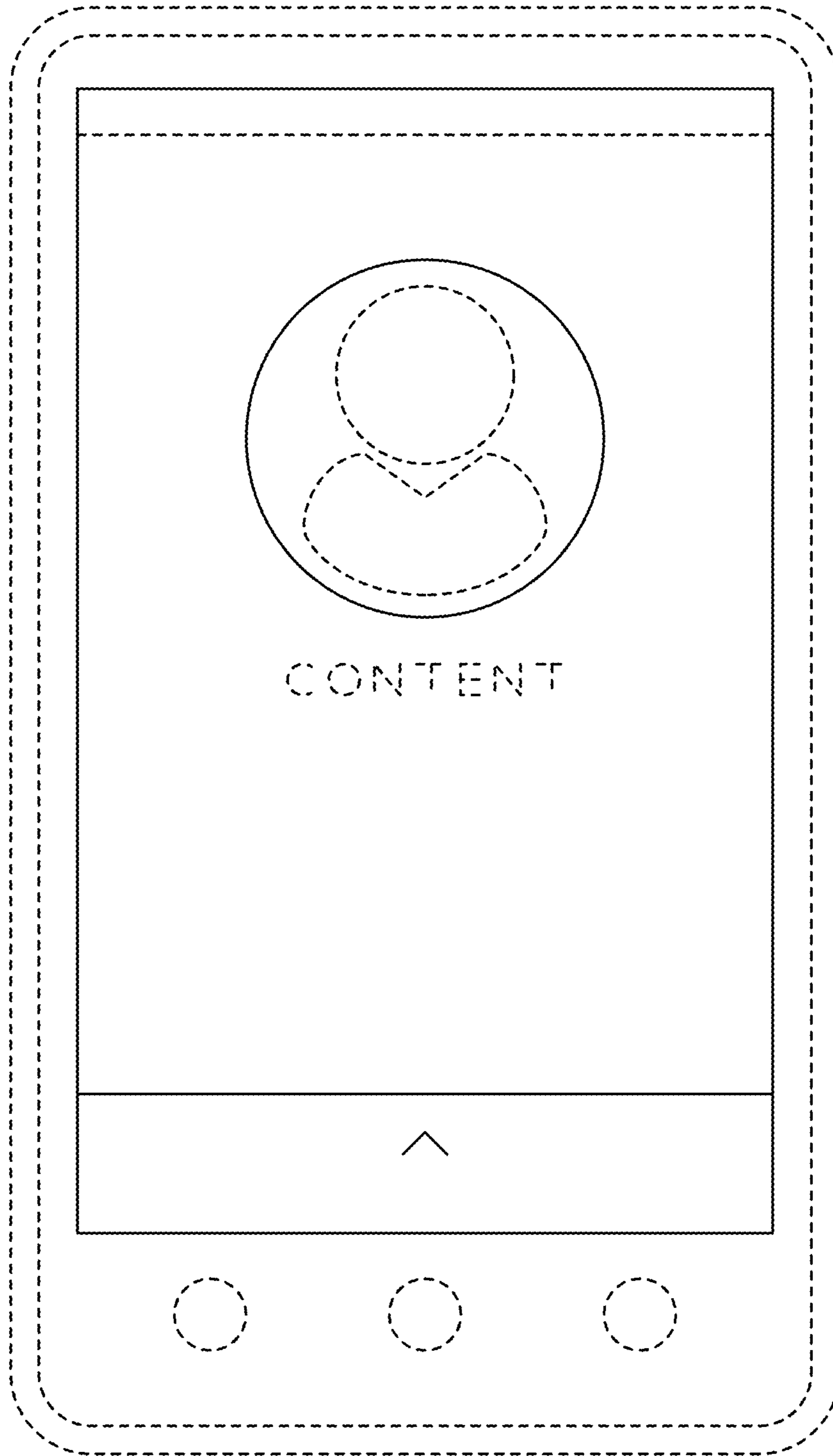


FIG. 12