



US00D780196S

(12) **United States Design Patent** (10) **Patent No.:** **US D780,196 S**
Yang et al. (45) **Date of Patent:** **** Feb. 28, 2017**

(54) **WEARABLE DISPLAY SCREEN WITH GRAPHICAL USER INTERFACE**

(71) Applicant: **SHENZHEN ROYOLE TECHNOLOGIES CO., LTD.**, Shenzhen (CN)

(72) Inventors: **Fan Yang**, Shenzhen (CN); **Chao Jiang**, Shenzhen (CN); **Jinxin Li**, Shenzhen (CN); **Cong Zhao**, Shenzhen (CN); **Peichen Xu**, Shenzhen (CN); **Songling Yang**, Shenzhen (CN)

(**) Term: **15 Years**

(21) Appl. No.: **29/543,083**

(22) Filed: **Oct. 21, 2015**

(30) **Foreign Application Priority Data**

Sep. 11, 2015 (CN) 2015 3 03508209

(51) **LOC (10) Cl.** **14-04**

(52) **U.S. Cl.**
USPC **D14/485**; D14/491; D14/492

(58) **Field of Classification Search**
USPC D14/485–495
CPC G06F 3/04815; G06F 2203/04802; G06F 17/30061; G06K 9/00671
See application file for complete search history.

(56) **References Cited**

U.S. PATENT DOCUMENTS

D692,907 S *	11/2013	Schuller	D14/486
D727,896 S *	4/2015	Laluque	D14/372
D736,817 S *	8/2015	Trabona	D14/487
D748,132 S *	1/2016	Omiya	D14/487
D760,225 S *	6/2016	Passmore	D14/372

OTHER PUBLICATIONS

Royole-X Virtual Mobile Theater for Cinematic Movie Watching and Immersive Gaming Experiences, first available Feb. 23, 2016, amazon.com, Copyright © 1996-2016, site visited Oct. 27, 2016, Available from Internet, <https://www.amazon.com/Royole-X-Cinematic-Immersive-Experiences-Black/dp/B01CJGUWK0>.*

* cited by examiner

Primary Examiner — Karen Kearney
Assistant Examiner — Sharon S Oum

(57) **CLAIM**

The ornamental design for a wearable display screen with graphical user interface, as shown and described.

DESCRIPTION

FIG. 1 is a front view of the wearable display screen with graphical user interface showing a first embodiment of our new design;

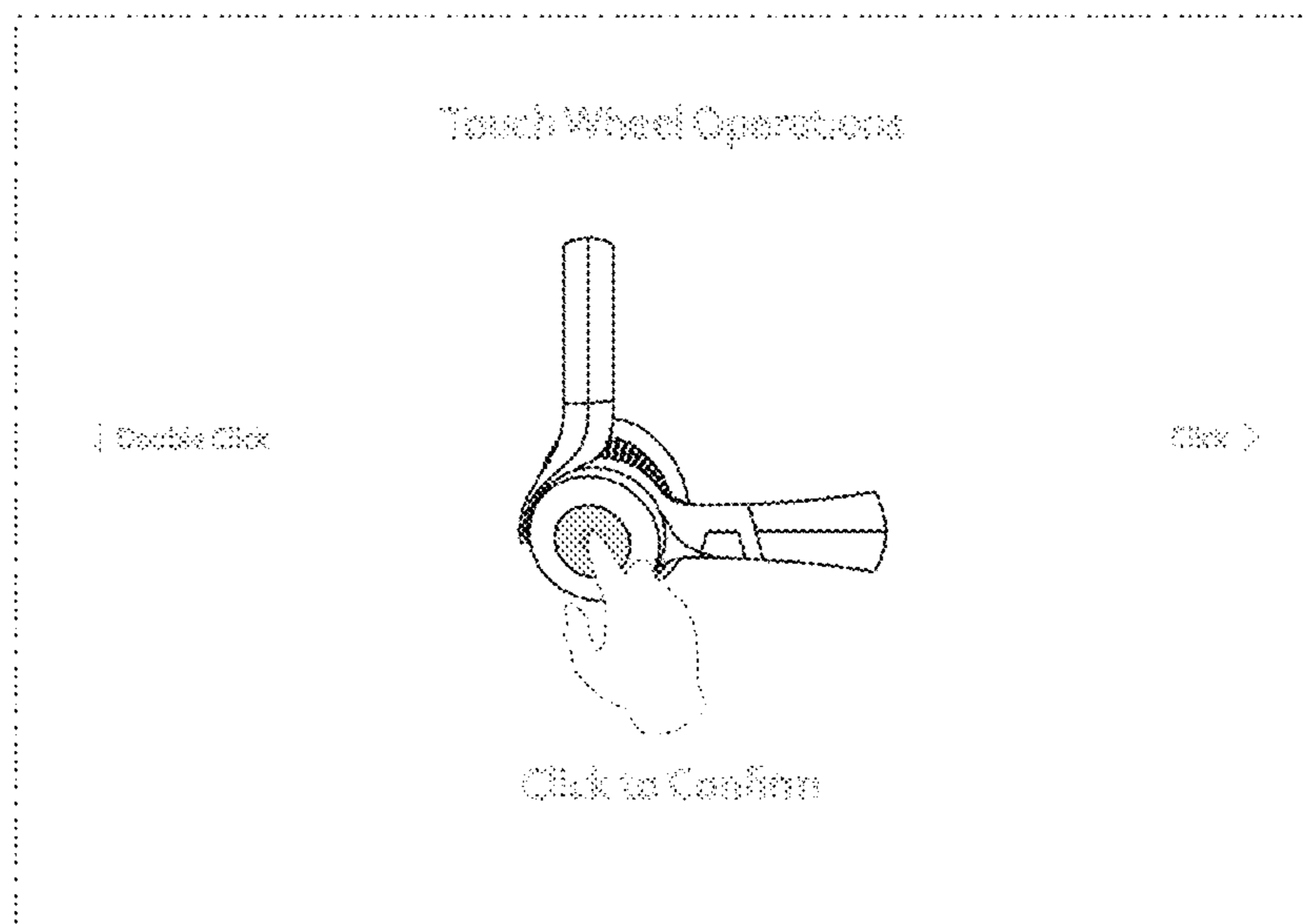
FIG. 2 is a front view of the wearable display screen with graphical user interface showing a second embodiment of our new design;

FIG. 3 is a front view of the wearable display screen with graphical user interface showing a third embodiment of our new design; and,

FIG. 4 is a front view of the wearable display screen with graphical user interface showing a fourth embodiment of our new design.

The broken lines illustrate the display screen and portions of the graphical user interface and form no part of the claimed design.

1 Claim, 2 Drawing Sheets



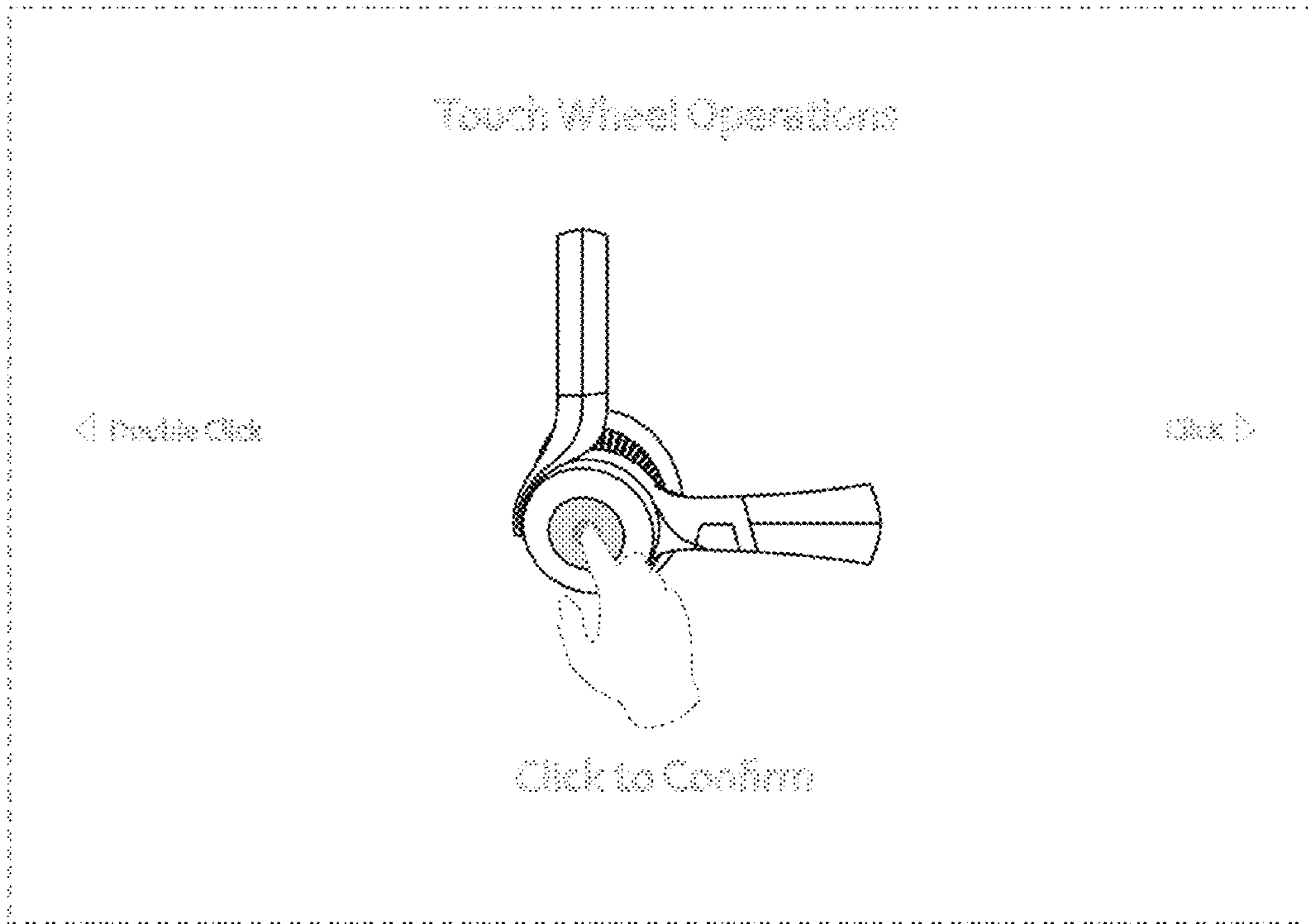


Fig. 1

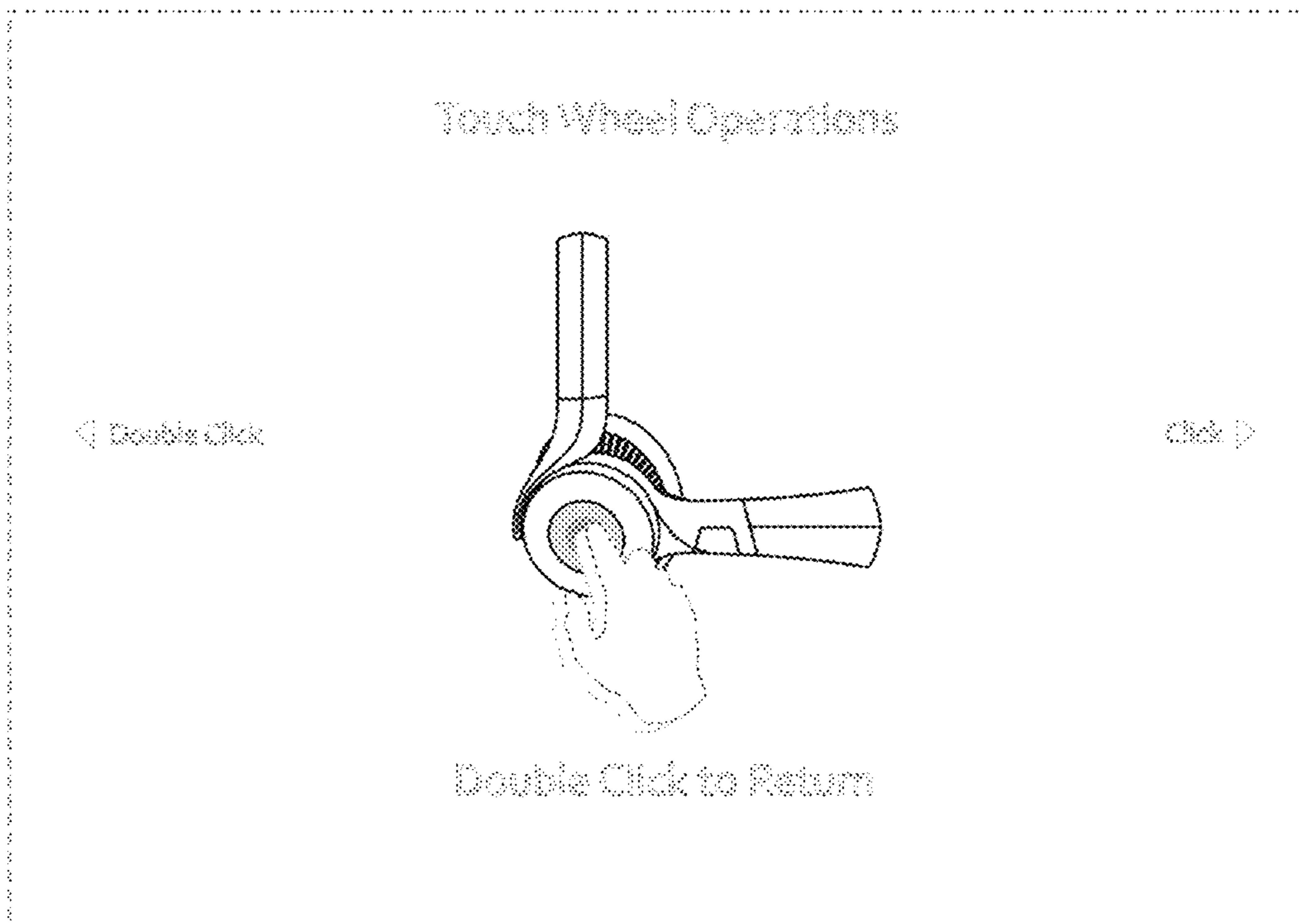


Fig. 2

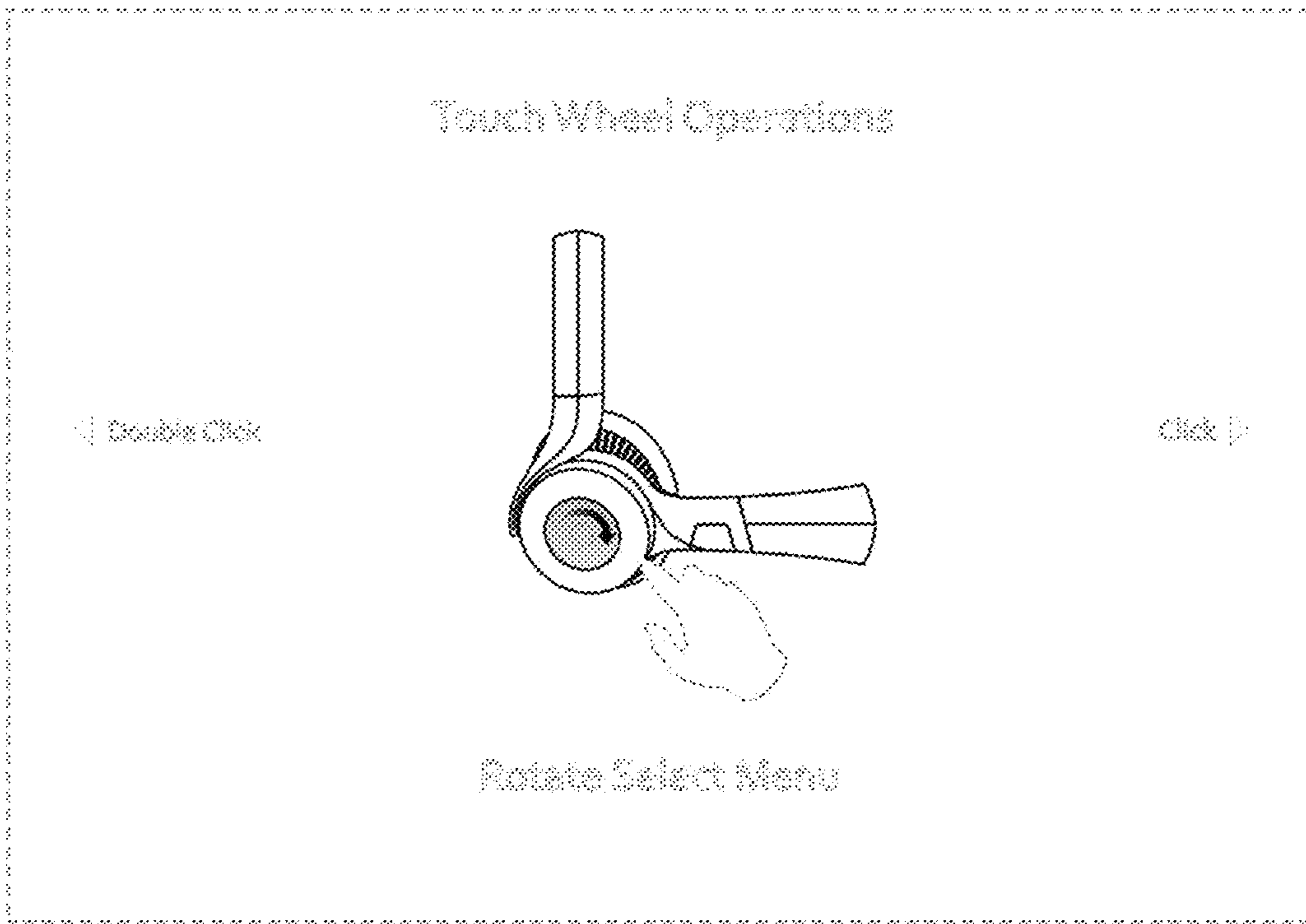


Fig. 3

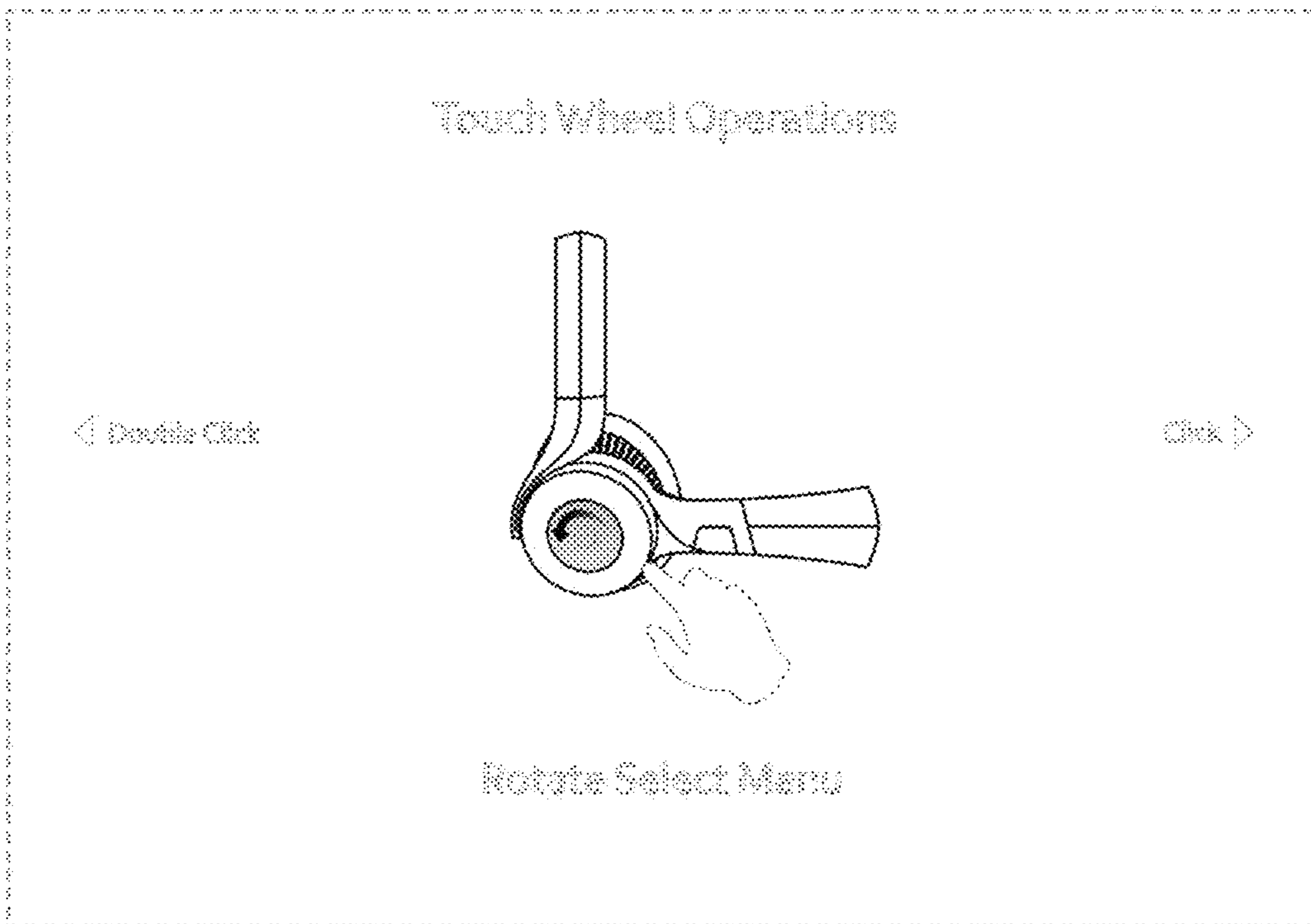


Fig. 4