



US00D780186S

(12) **United States Design Patent**
Lee

(10) **Patent No.:** **US D780,186 S**
(45) **Date of Patent:** **** Feb. 28, 2017**

(54) **STAND FOR WRIST-WORN ELECTRONIC DEVICE**

(71) Applicant: **SPIGEN KOREA CO., LTD.**, Seoul (KR)

(72) Inventor: **Bum Joon Lee**, Seoul (KR)

(73) Assignee: **SPIGEN KOREA CO., LTD.**, Geumcheon-Gu, Seoul (KR)

(**) Term: **15 Years**

(21) Appl. No.: **29/533,027**

(22) Filed: **Jul. 13, 2015**

(51) **LOC (10) Cl.** **08-07**

(52) **U.S. Cl.**
USPC **D14/447**; D14/253

(58) **Field of Classification Search**
USPC D14/253, 251, 252, 447, 451, 452, 440, D14/434, 458, 432, 439, 457, 460, 238.1, D14/140, 142, 149, 217, 148, 140.8, D14/140.11, 209.1, 151, 140.9, 250, 238; D13/107, 108; D12/415, 223, 114, 420, D12/417, 407, 177; D3/218; D16/242-245, 250, 237, 203, 214, D16/219; D8/349; D6/675, 672, 673, D6/675.4, 553, 676, 310, 406.3, 406.4, 406.5, 406.6, D6/407, 567
CPC B60R 2011/0008; B60R 11/02; B60R 11/0241; B60R 11/0258; B60R 11/0252; B60R 2011/0294; F16M 11/00; F16M 11/04; F16M 11/041; F16M 11/02; F16M 11/06; F16M 13/00; H04M 1/02; H04M 1/04; H04M 1/11; H04M 1/12; A47F 7/022; B62J 11/00; H05K 7/00; G03B 17/56

See application file for complete search history.

(56) **References Cited**

U.S. PATENT DOCUMENTS

D233,390 S * 10/1974 Povitz D6/309
D329,763 S * 9/1992 Cuminale D6/310

D367,560 S * 3/1996 Kwan D30/101
D540,068 S * 4/2007 Zhang D6/672
D553,106 S * 10/2007 Griffin D14/217
D628,562 S * 12/2010 Akana D14/217
D642,519 S * 8/2011 Woo D13/108
8,056,871 B2 * 11/2011 Matias A47B 23/043
248/176.1
D688,235 S * 8/2013 Song D14/253
D688,670 S * 8/2013 Huang D14/447
D692,010 S * 10/2013 Verghese D14/447
D703,214 S * 4/2014 Lye D14/447
D730,888 S * 6/2015 Malsan D14/253
D751,564 S * 3/2016 Hahn D14/447
D756,367 S * 5/2016 Kim D14/447

OTHER PUBLICATIONS

“NightStand for Apple Watch,” <http://gadgetmac.com/reviews/elevation-lab-nightstand-apple-watch-dock-review>, Downloaded Jul. 20, 2016, 11 Page.

* cited by examiner

Primary Examiner — Susan Bennett Hattan
Assistant Examiner — Janice Hallmark
(74) *Attorney, Agent, or Firm* — East West Law Group; Heedong Chae

(57) **CLAIM**

The ornamental design for a stand for wrist-worn electronic device, as shown and described.

DESCRIPTION

FIG. 1 is a front perspective view of a stand for wrist-worn electronic device showing my new design; FIG. 2 is a rear perspective view thereof; FIG. 3 is a front elevational view thereof; FIG. 4 is a rear elevational view thereof; FIG. 5 is a left side elevational view thereof; and FIG. 6 is a right side elevational view thereof; FIG. 7 is a top plan view thereof; and, FIG. 8 is a bottom plan view thereof.

1 Claim, 8 Drawing Sheets

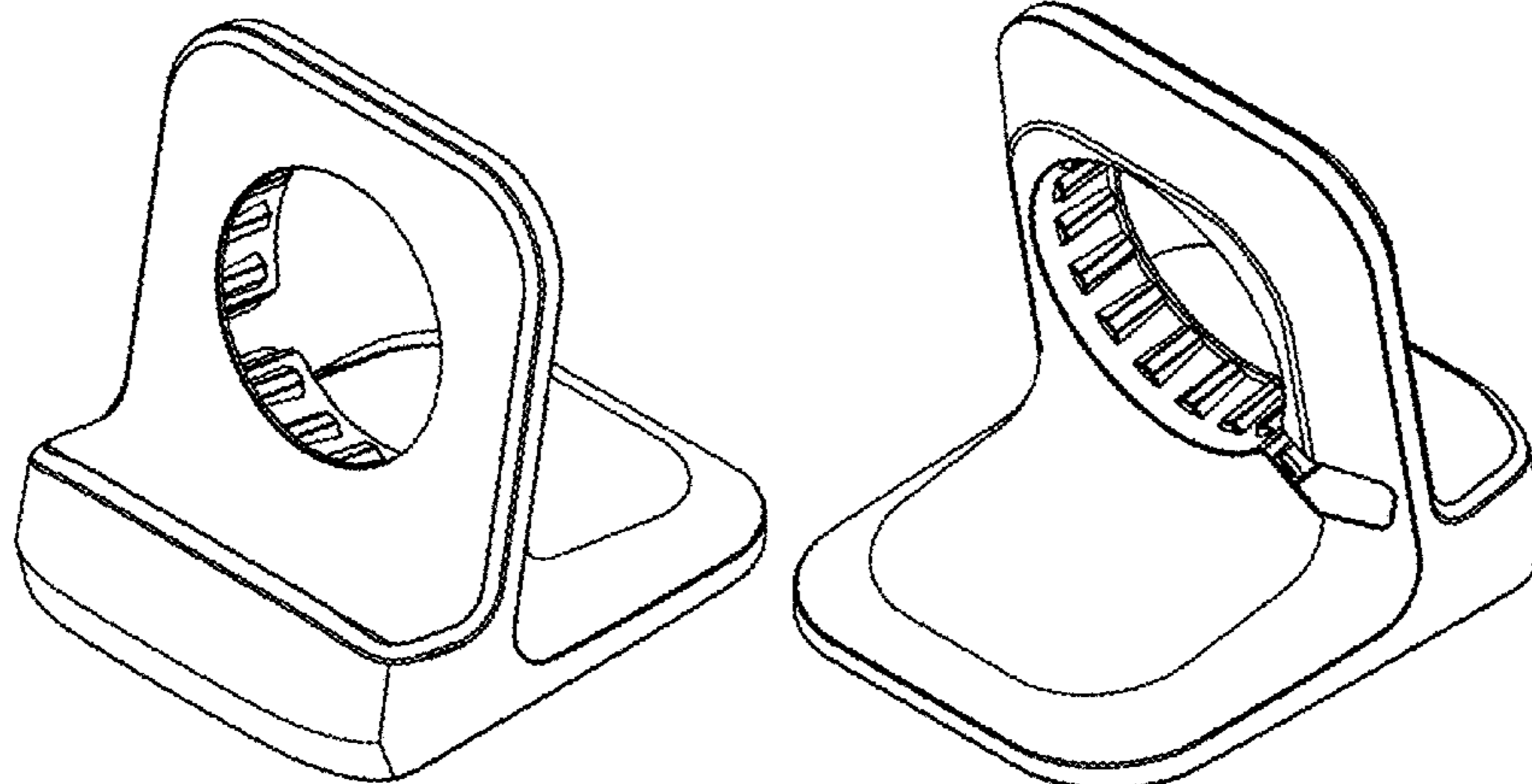


FIG. 1

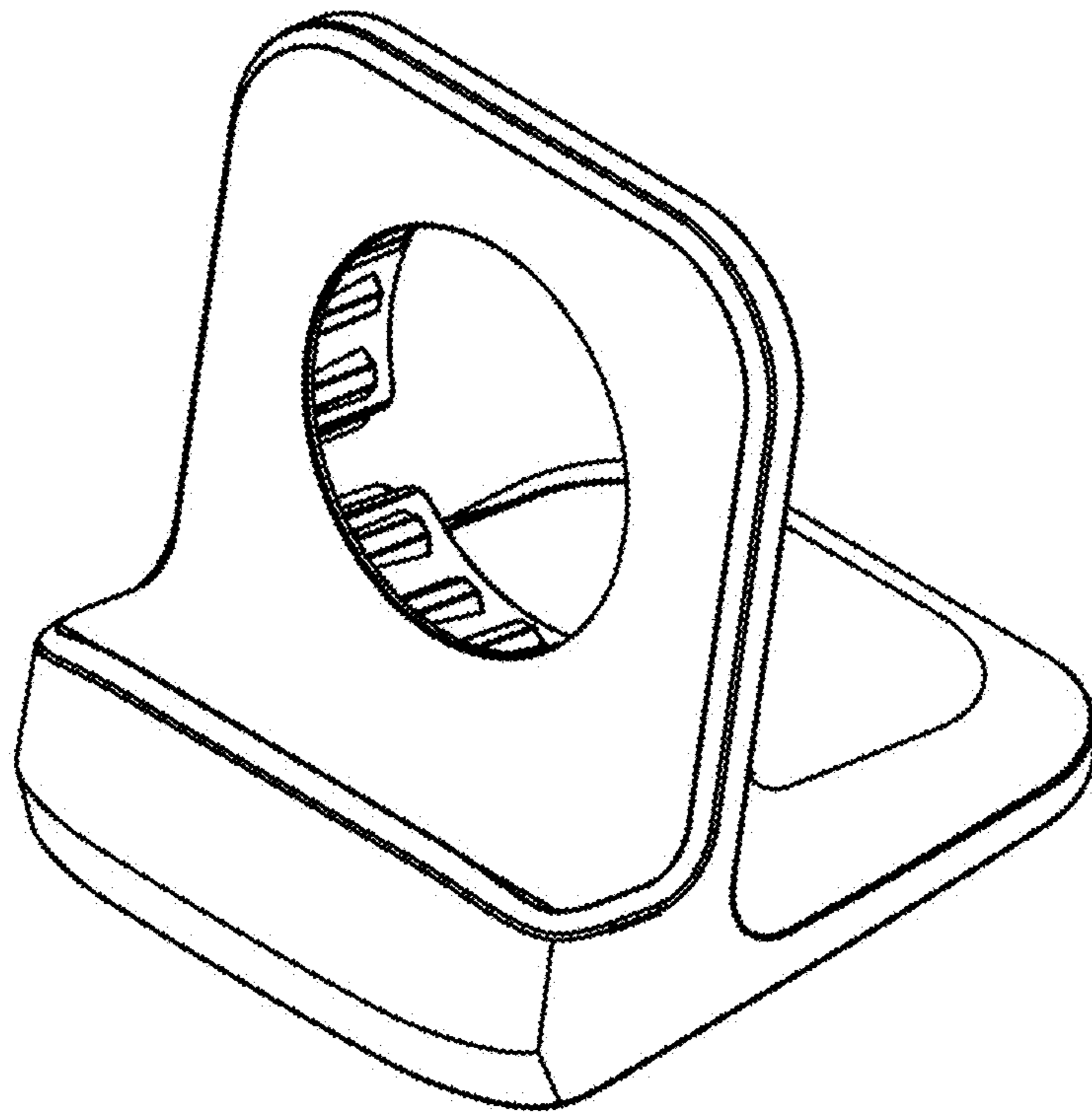


FIG. 2

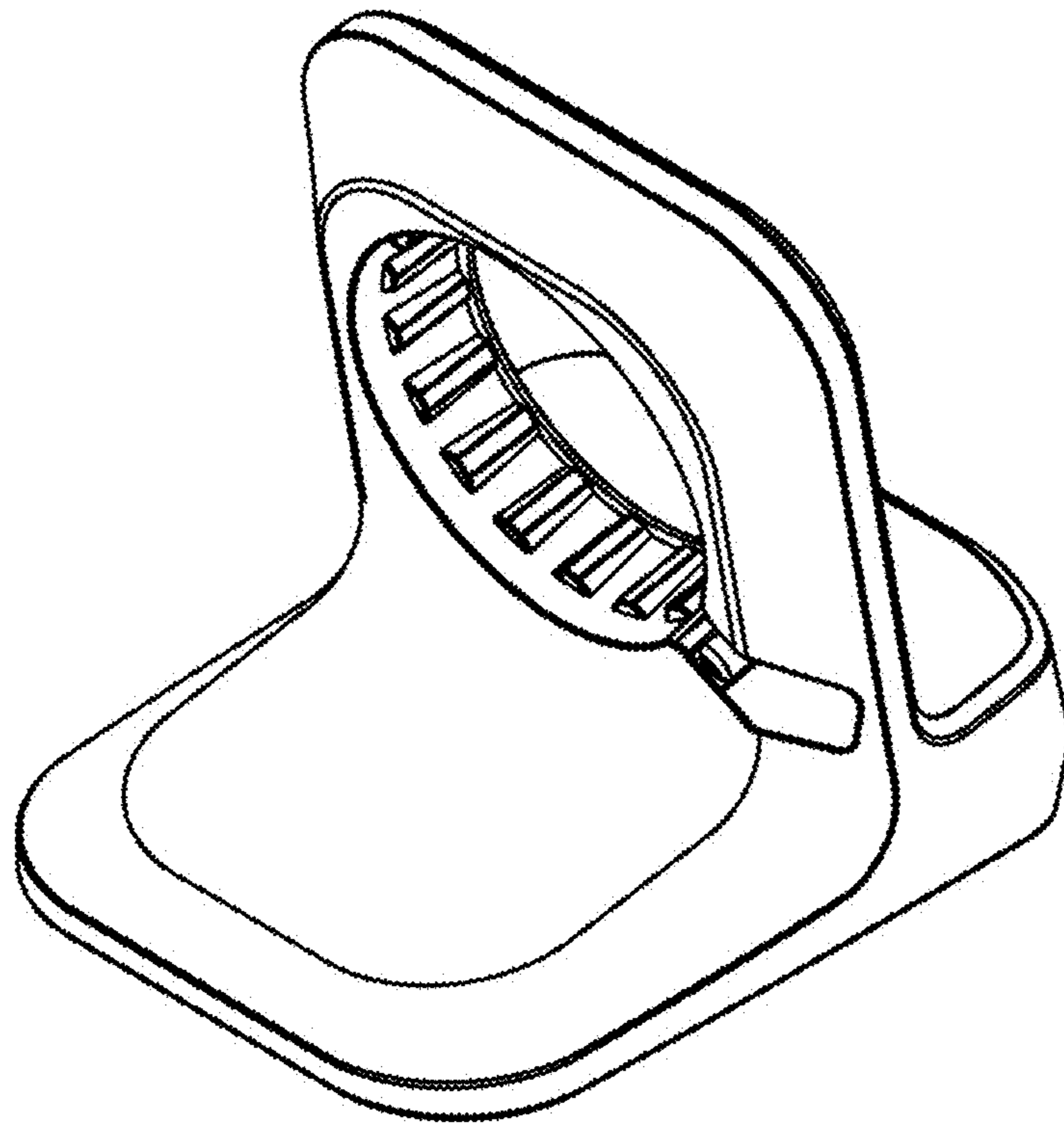


FIG. 3

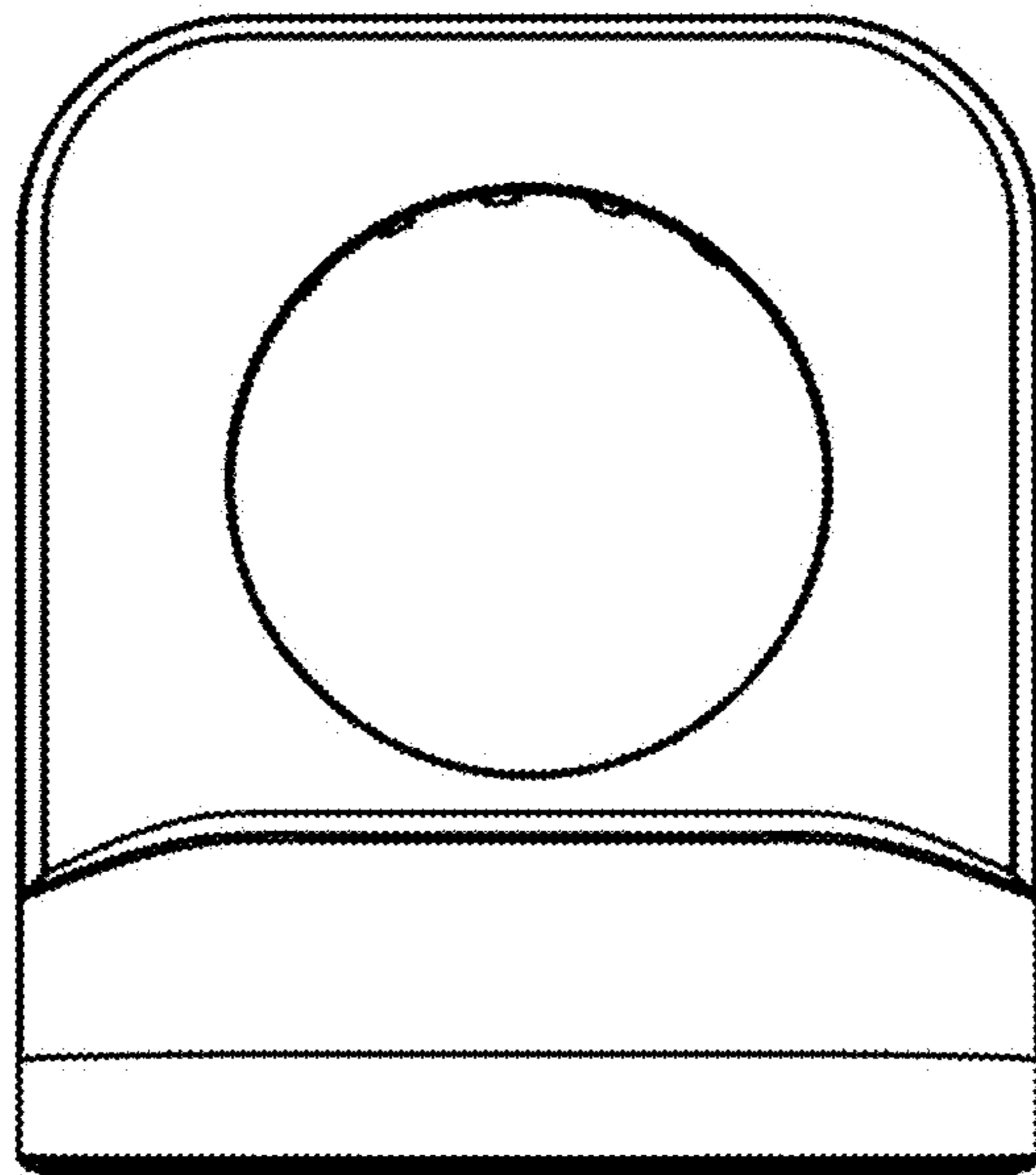


FIG. 4

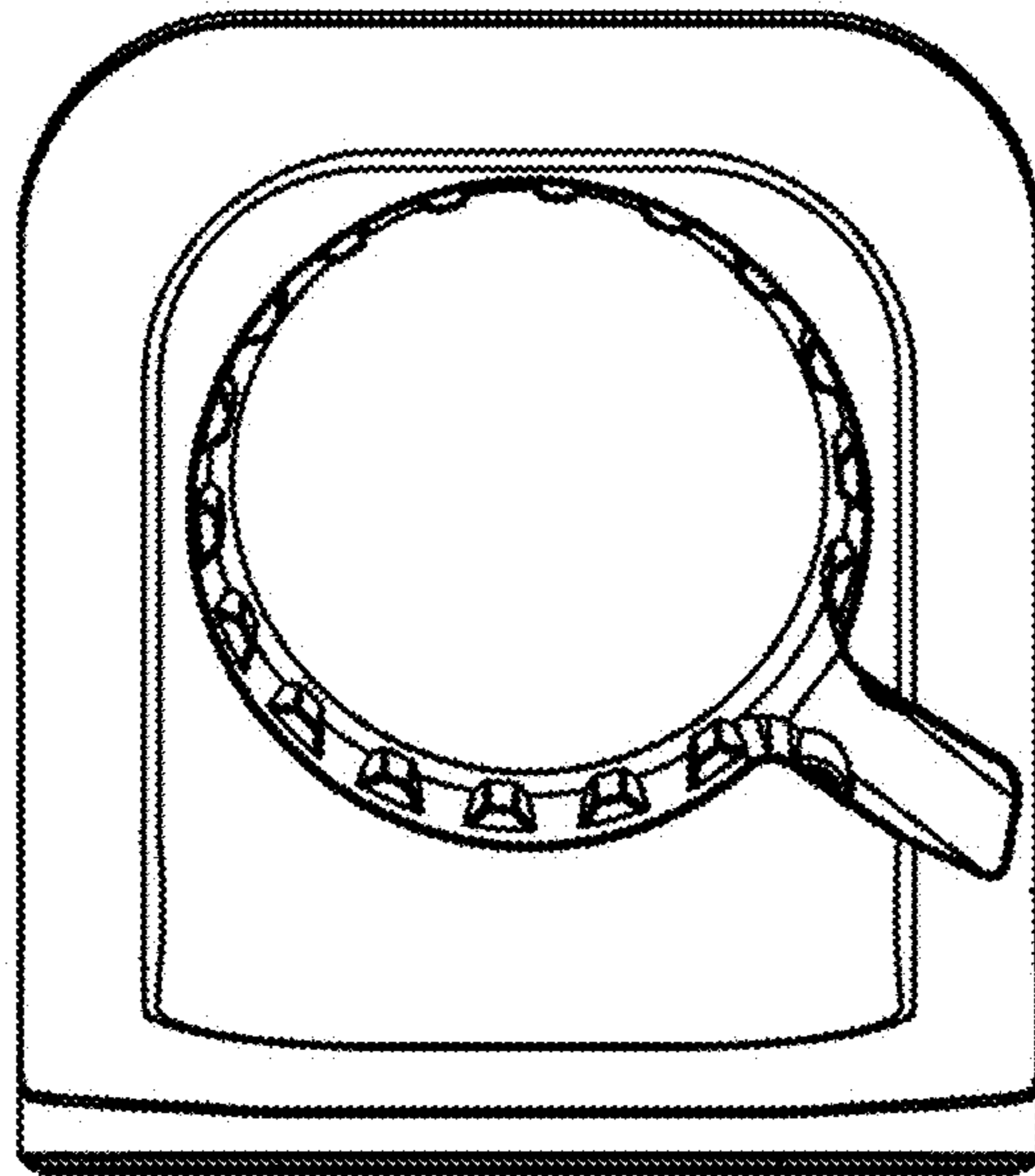


FIG. 5

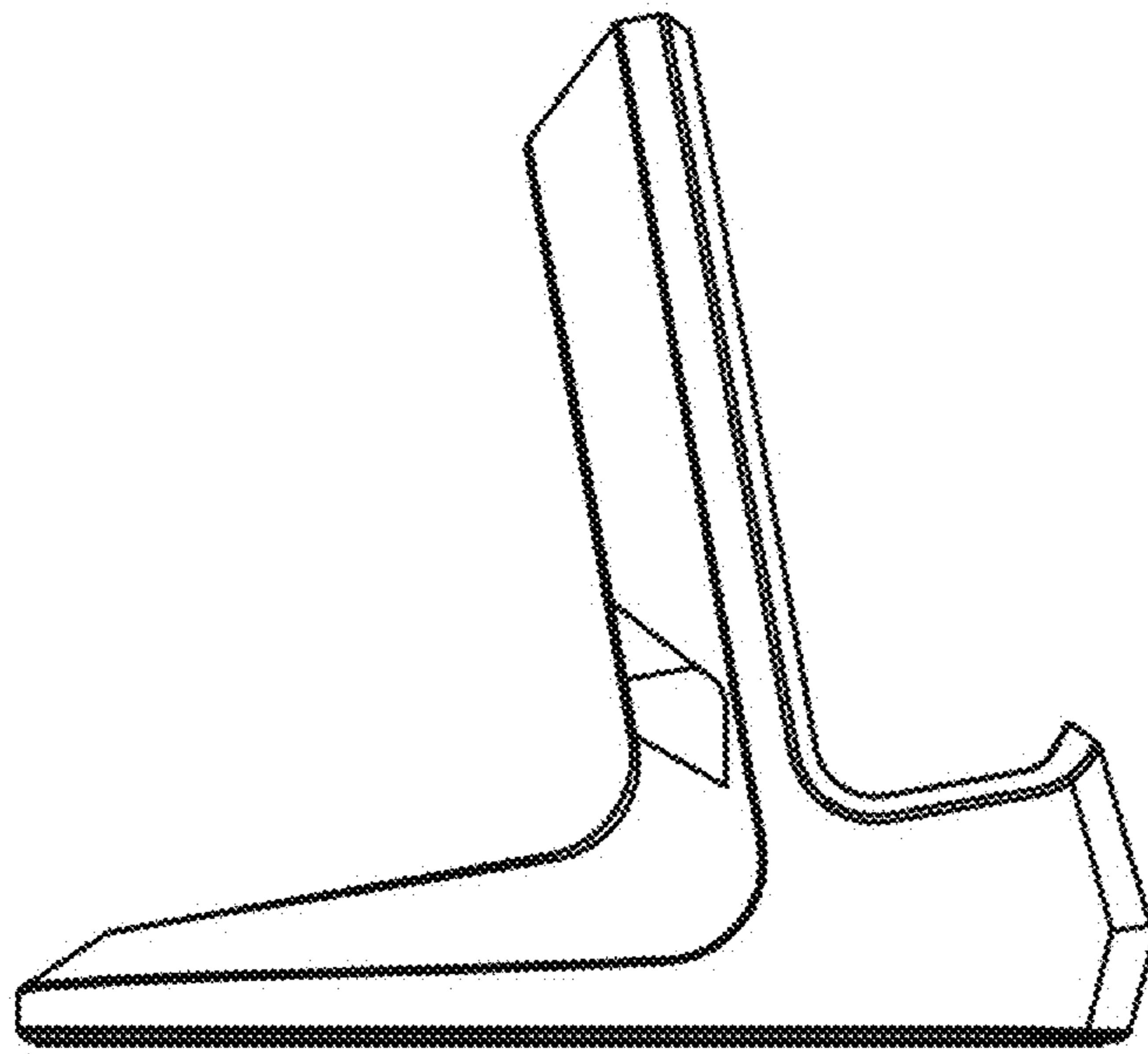


FIG. 6

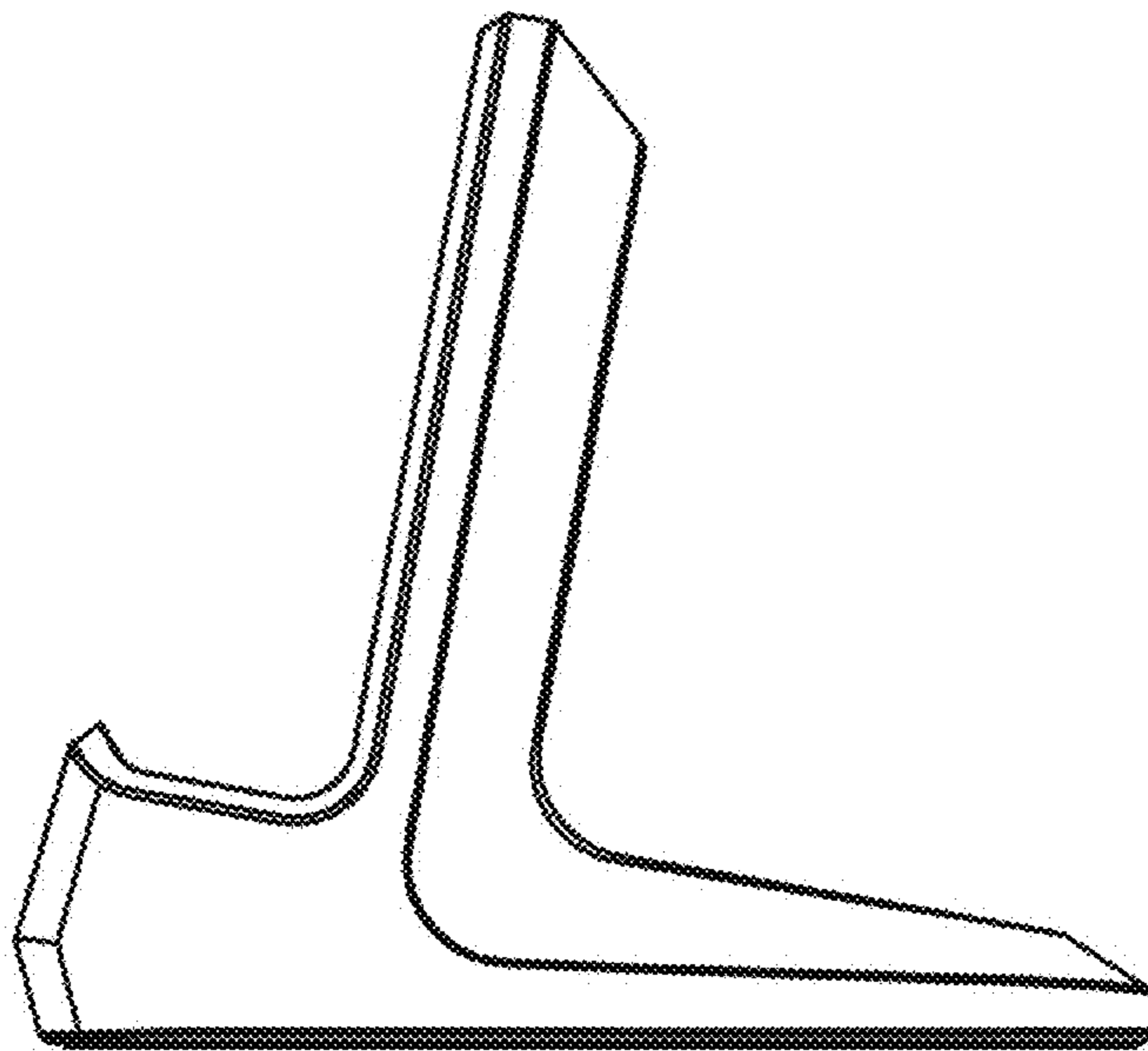


FIG. 7

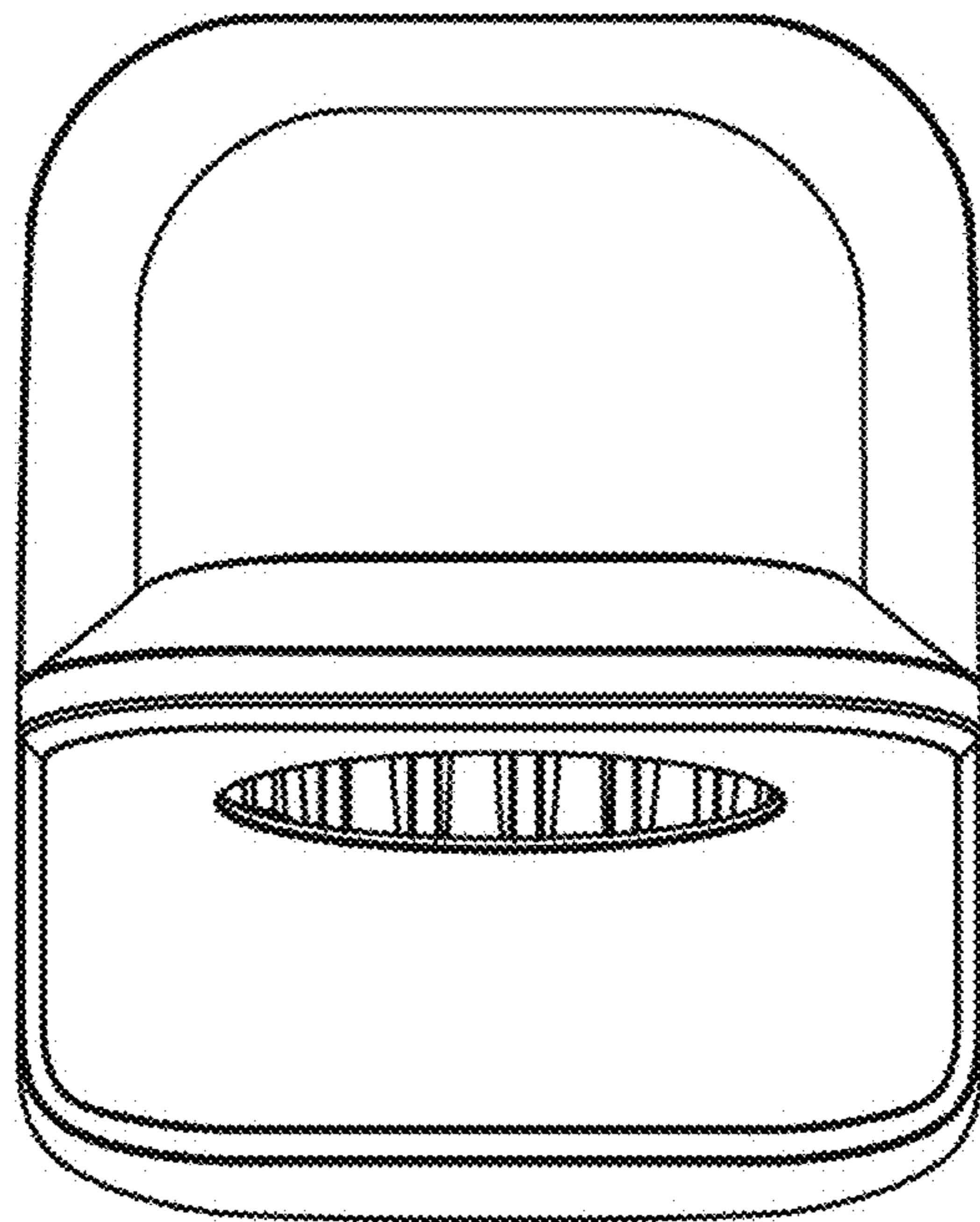


FIG. 8

