



US00D780185S

(12) **United States Design Patent** (10) **Patent No.:** **US D780,185 S**  
**Tur** (45) **Date of Patent:** **\*\* Feb. 28, 2017**

(54) **TEACH PENDANT BUMPER**  
(71) Applicant: **ROBOWORLD MOLDED PRODUCTS, LLC**, West Chester, OH (US)

D678,262 S 3/2013 Prato  
D681,483 S 5/2013 Biegert et al.  
D688,582 S 8/2013 Wilson  
D688,967 S 9/2013 Wilson  
8,523,124 B2 9/2013 Yuan et al.  
D693,709 S 11/2013 Lee et al.  
D703,649 S 4/2014 Wikel et al.

(72) Inventor: **Christian A. Tur**, West Chester, OH (US)

(Continued)

(73) Assignee: **ROBOWORLD MOLDED PRODUCTS, LLC**, West Chester, OH (US)

**OTHER PUBLICATIONS**

Underwood, Cynthia R.; U.S. Notice of Allowance and Fees Due for Design U.S. Appl. No. 29/542,840; date mailed Nov. 16, 2016; U.S. Patent and Trademark Office; Alexandria, VA.

(\*\*) Term: **15 Years**

(Continued)

(21) Appl. No.: **29/560,116**

*Primary Examiner* — Cynthia Underwood

(22) Filed: **Apr. 4, 2016**

(74) *Attorney, Agent, or Firm* — Thomas E. Lees, LLC

(51) **LOC (10) Cl.** ..... **14-02**

(52) **U.S. Cl.**

(57) **CLAIM**

USPC ..... **D14/440**

The ornamental design for a teach pendant bumper, as shown and described.

(58) **Field of Classification Search**

**DESCRIPTION**

USPC ... D14/250, 440, 447; 206/45.23, 320, 45.2, 206/316.2; 361/679.55; 294/25; 224/218

CPC .... G06F 1/1628; G06F 1/1613; G06F 1/1626; A47B 23/044

See application file for complete search history.

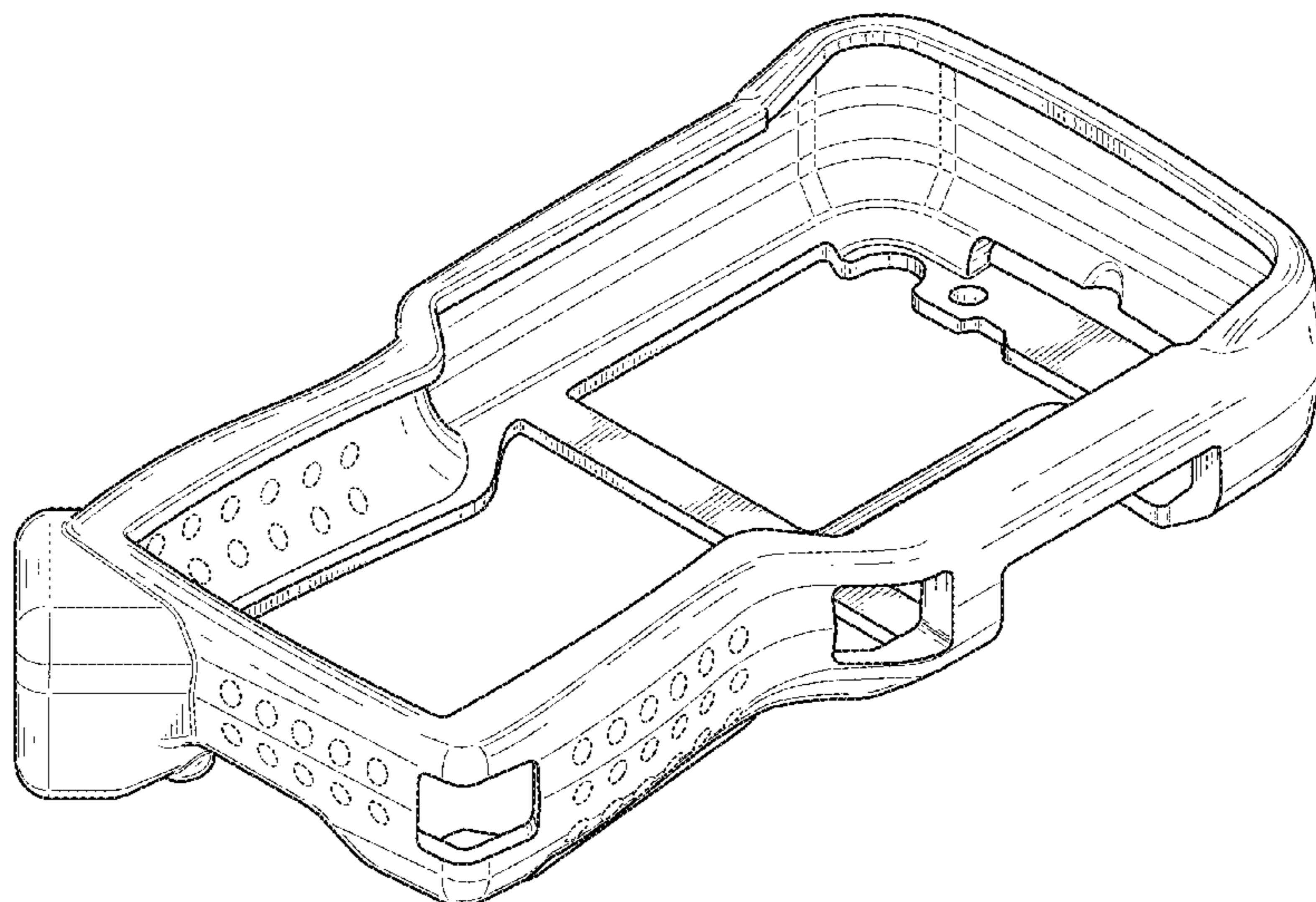
FIG. 1 is a perspective view of a teach pendant bumper; FIG. 2 is a left side elevational view of the teach pendant bumper; FIG. 3 is a right side elevational view of the teach pendant bumper; FIG. 4 is a rear side elevational view of the teach pendant bumper; FIG. 5 is a front side elevational view of the teach pendant bumper; FIG. 6 is a top plan view of the teach pendant bumper; and, FIG. 7 is a bottom plan view of the teach pendant bumper. The broken lines represent portions of the structure that form no part of the claim.

(56) **References Cited**

**U.S. PATENT DOCUMENTS**

D413,582 S \* 9/1999 Tompkins ..... D14/344  
D480,720 S \* 10/2003 Sjoberg ..... D14/341  
D531,524 S 11/2006 Behling  
D638,324 S 5/2011 Tang  
D643,433 S \* 8/2011 Hsieh ..... D14/440  
D647,107 S 10/2011 Akana et al.  
D656,135 S 3/2012 Swartz et al.  
8,256,612 B1 9/2012 Wang  
D671,930 S 12/2012 Akana et al.  
D674,789 S 1/2013 Wen

**1 Claim, 5 Drawing Sheets**



(56)

References Cited

U.S. PATENT DOCUMENTS

D711,866 S \* 8/2014 Kawata ..... D14/250  
 D714,295 S 9/2014 Fujioka  
 D716,312 S 10/2014 Fujioka  
 D723,016 S 2/2015 Lee et al.  
 D728,549 S 5/2015 Su et al.  
 D730,225 S 5/2015 Behar  
 D735,198 S 7/2015 Song  
 D735,199 S 7/2015 Song  
 D735,200 S 7/2015 Song  
 D735,586 S 8/2015 Stegmann  
 D735,724 S 8/2015 Song  
 D736,103 S 8/2015 Behling  
 D751,558 S 3/2016 Lee  
 D752,044 S 3/2016 Akana et al.  
 D754,133 S 4/2016 Chen et al.  
 D756,344 S \* 5/2016 Roberts ..... D14/250  
 D761,263 S 7/2016 Brinkman et al.  
 D762,201 S \* 7/2016 Tseng ..... D14/250  
 D762,202 S \* 7/2016 Tseng ..... D14/250  
 D762,203 S \* 7/2016 Chin ..... D14/250  
 D766,904 S \* 9/2016 Jung ..... D14/440

D766,905 S \* 9/2016 Lee ..... D14/440  
 D766,906 S \* 9/2016 Kim ..... D14/440  
 D767,573 S \* 9/2016 Kim ..... D14/440  
 D768,122 S \* 10/2016 Buffone ..... D14/250  
 D769,879 S 10/2016 Kim  
 2010/0061191 A1 3/2010 Chen  
 2011/0297578 A1 12/2011 Stiehl et al.  
 2012/0043236 A1 2/2012 Szucs et al.  
 2012/0182678 A1 7/2012 Wu et al.  
 2012/0257340 A1 10/2012 Kim  
 2013/0148271 A1 \* 6/2013 Huang ..... H04B 1/3888  
 361/679.01  
 2013/0210503 A1 \* 8/2013 Keesling ..... H04M 1/0279  
 455/575.1  
 2013/0222139 A1 8/2013 Gouge et al.

OTHER PUBLICATIONS

Underwood, Cynthia R.; U.S. Notice of Allowance and Fees Due for Design U.S. Appl. No. 29/545,118; date mailed Nov. 16, 2016; U.S. Patent and Trademark Office; Alexandria, VA.

\* cited by examiner

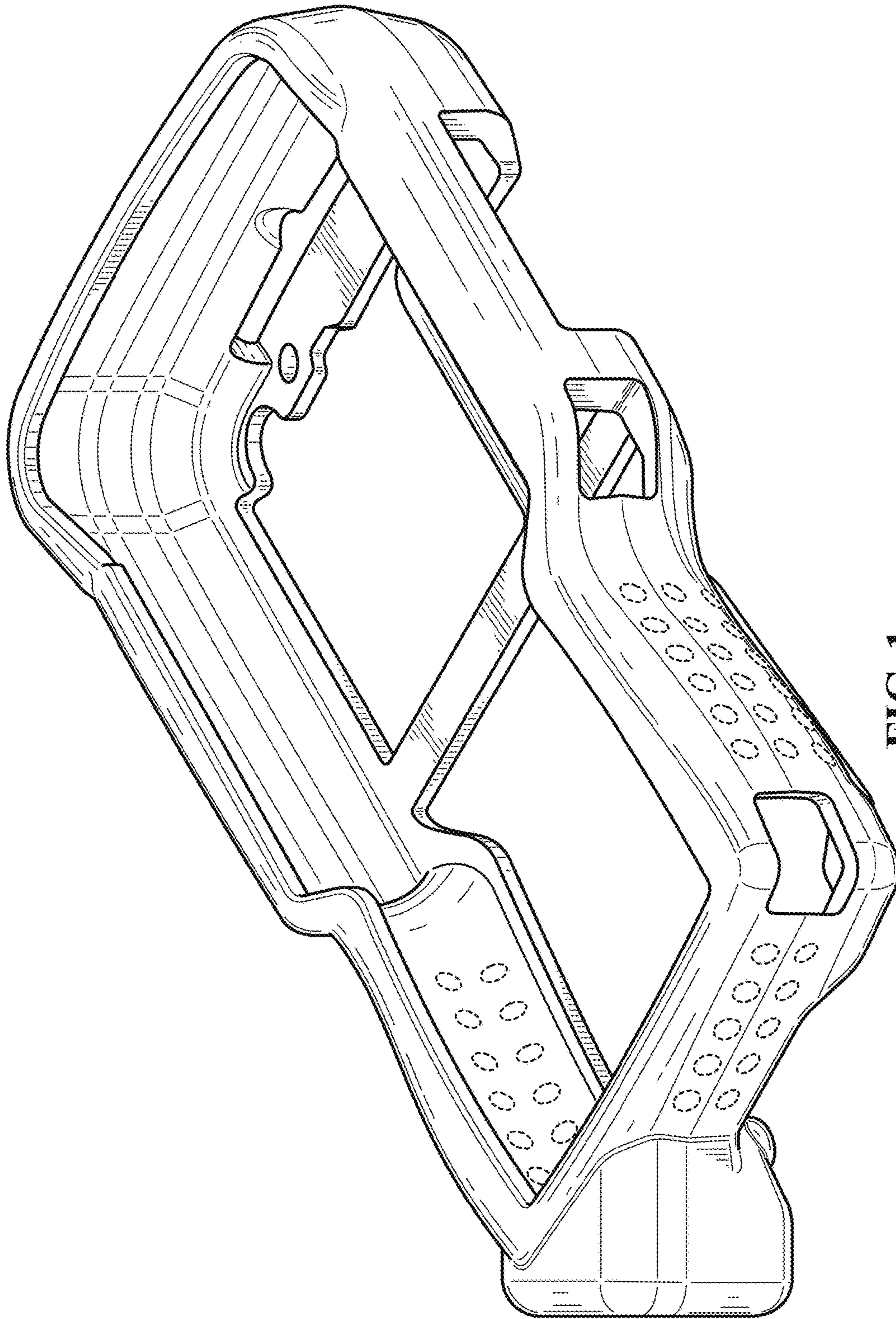


FIG. 1



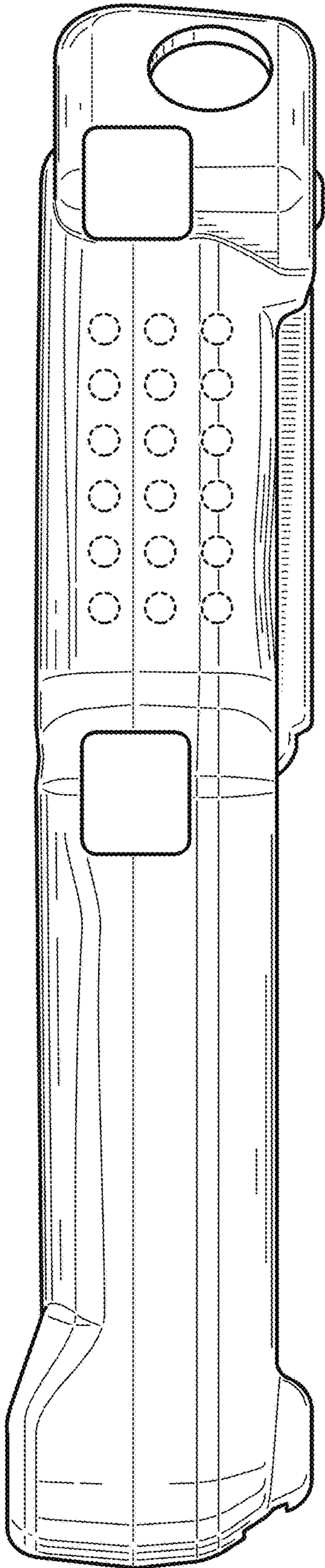


FIG. 2

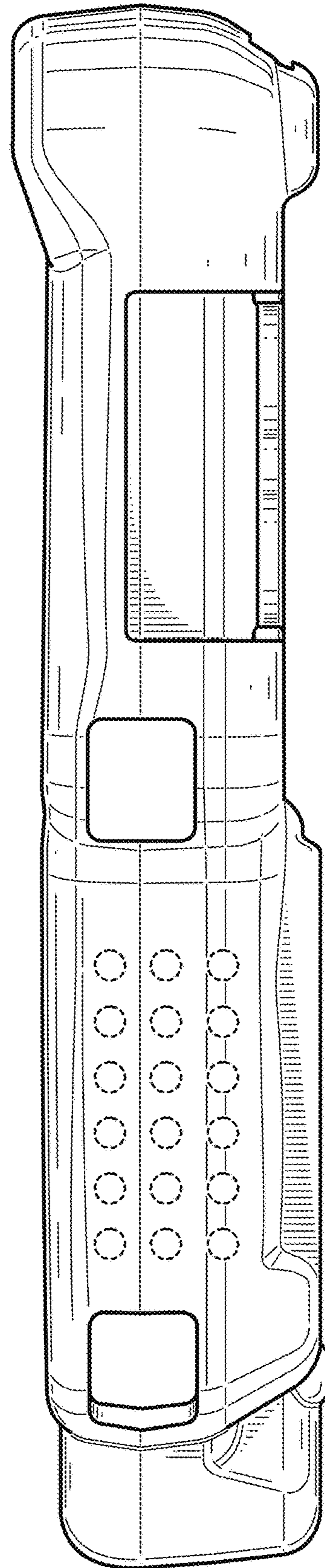


FIG. 3

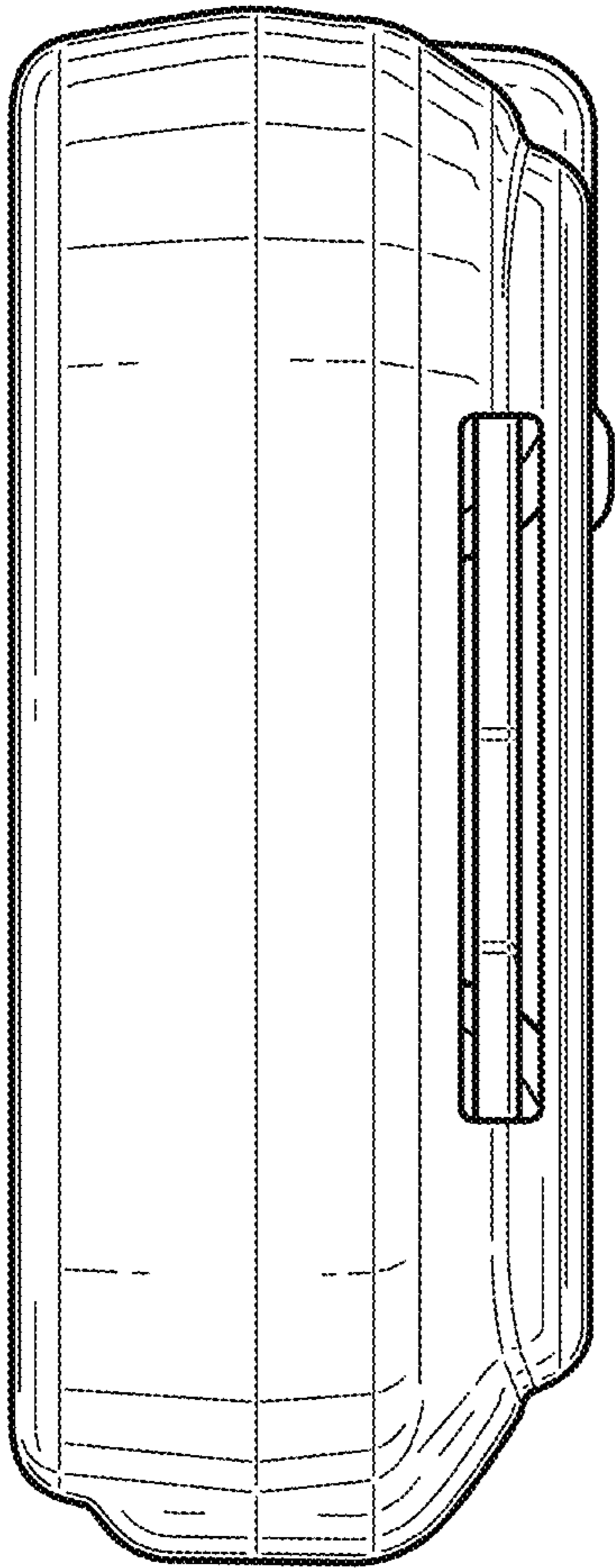


FIG. 4

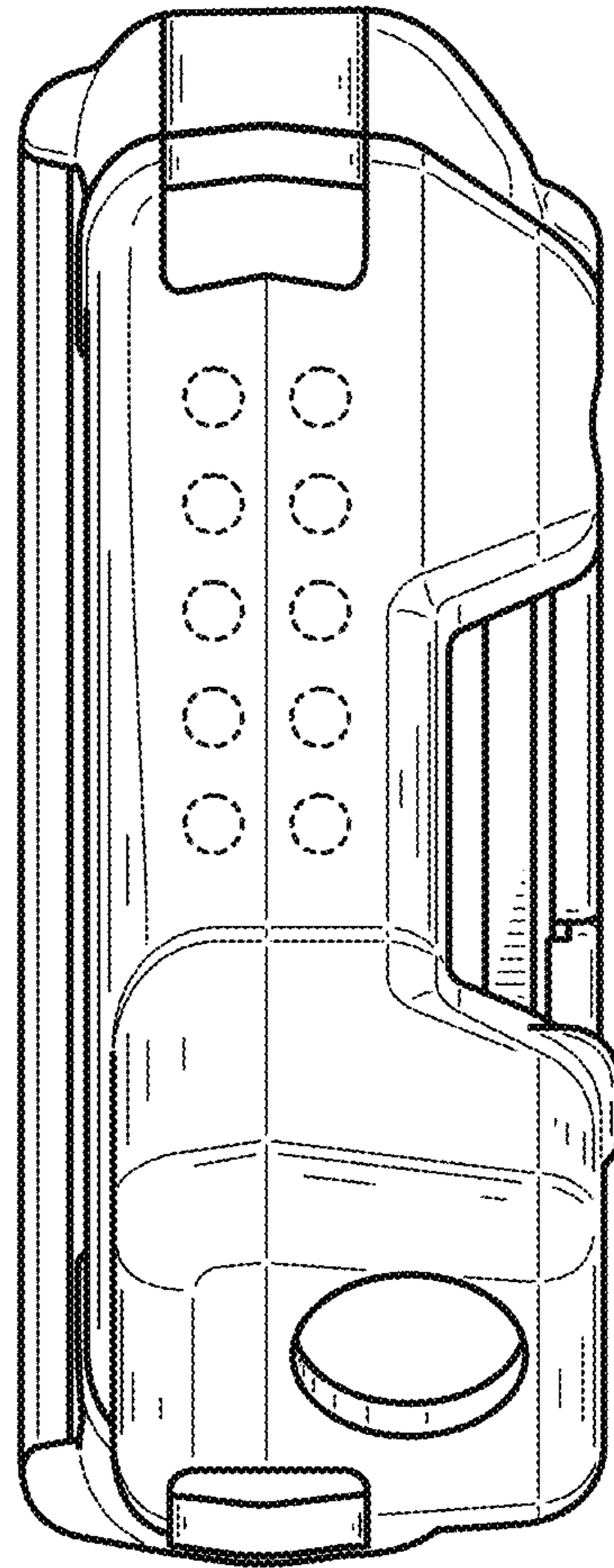


FIG. 5

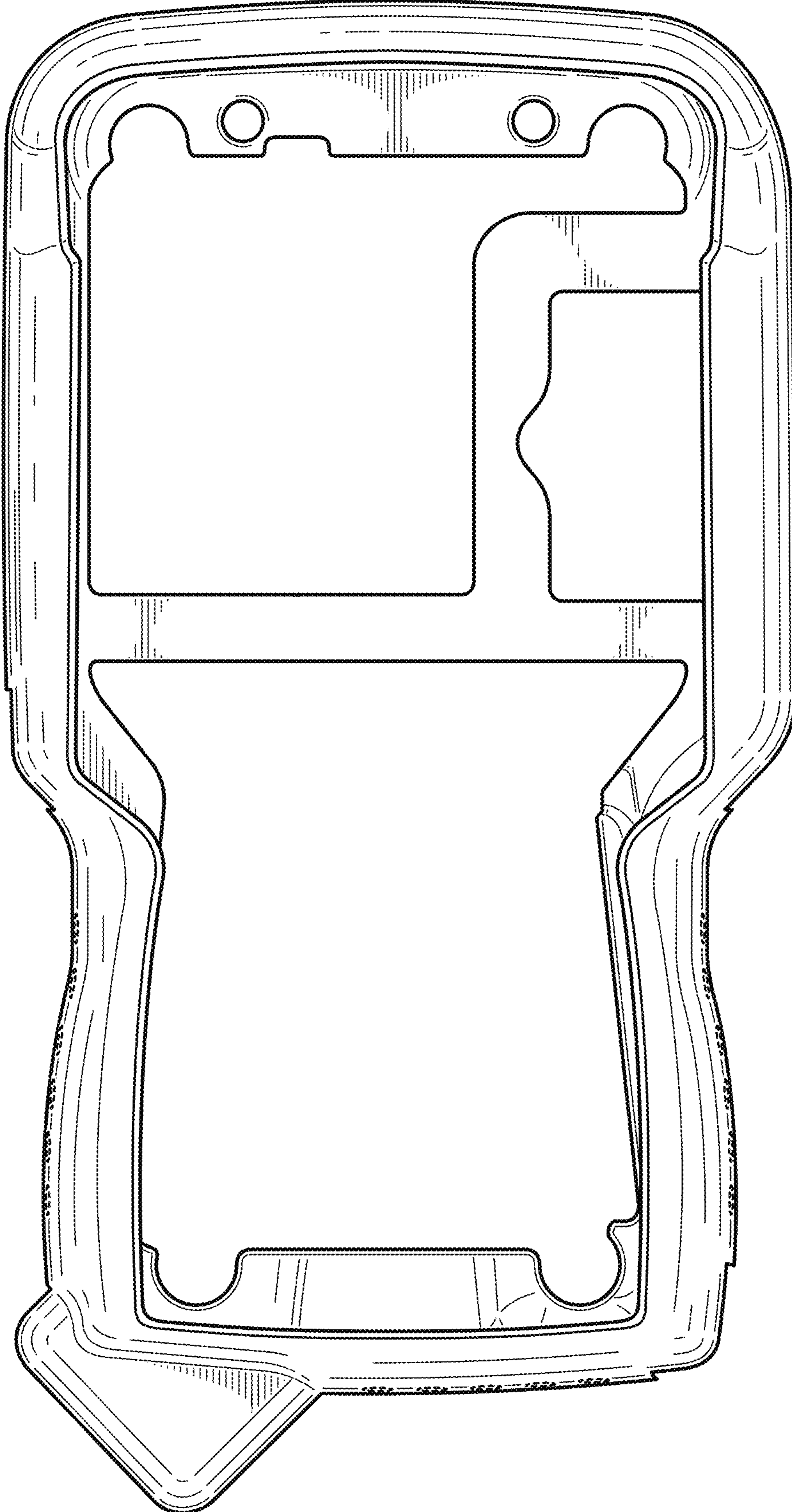


FIG. 6



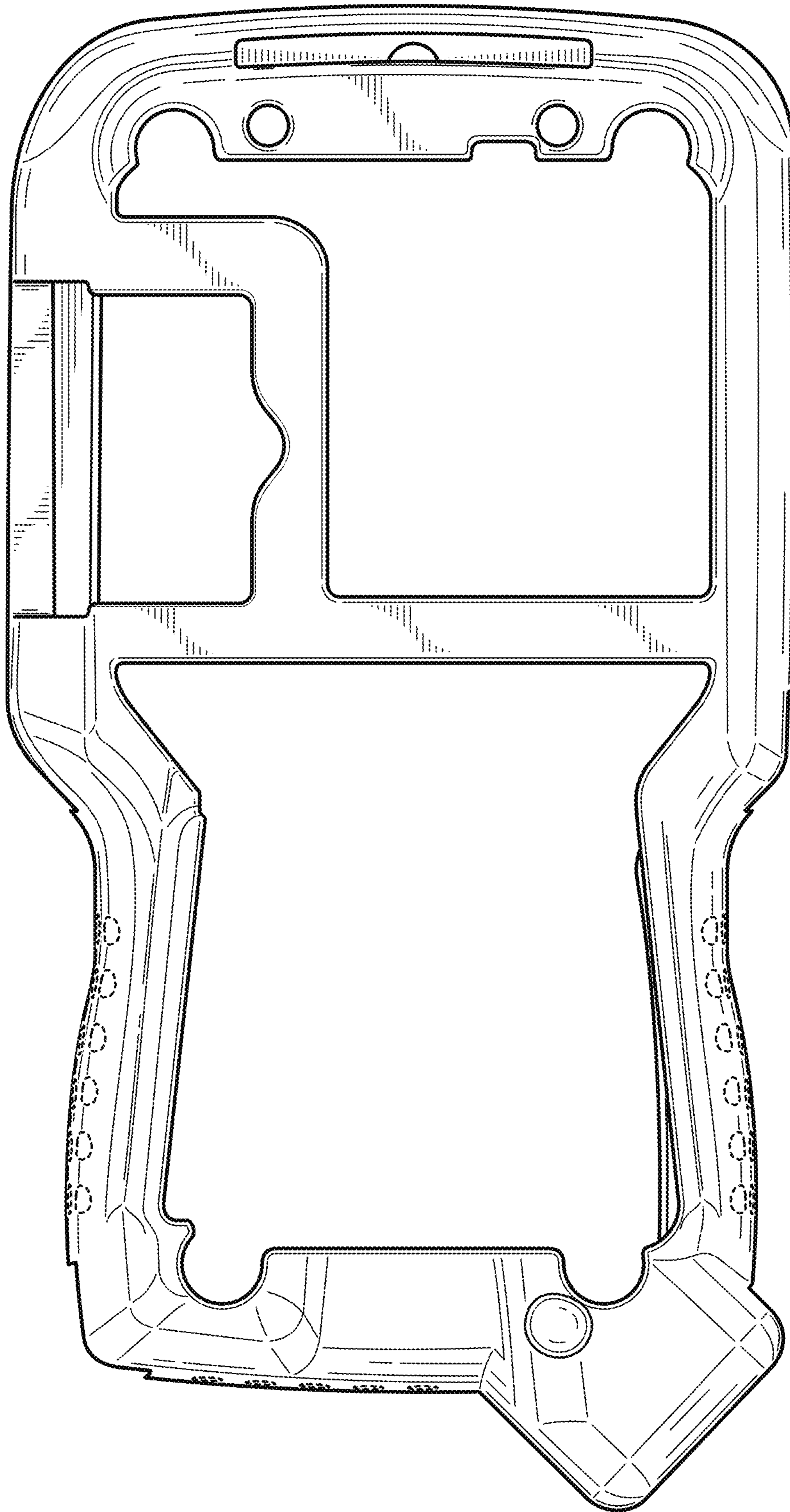


FIG. 7