



US00D780183S

(12) **United States Design Patent**
Ferguson et al.

(10) **Patent No.:** **US D780,183 S**
(45) **Date of Patent:** **** Feb. 28, 2017**

(54) **BLUETOOTH LOW ENERGY BEACON**

(71) Applicant: **PAYPAL, INC.**, San Jose, CA (US)

(72) Inventors: **Hill Ferguson**, San Jose, CA (US);
John H. Granbery, Los Altos, CA (US);
Satish Govindarajan, Los Altos, CA (US);
Kent C. Griffin, Mountain View, CA (US);
Yves Behar, San Francisco, CA (US);
Arthur Kenzo Debaigue, San Jose, CA (US)

(**) Term: **15 Years**

(21) Appl. No.: **29/549,536**

(22) Filed: **Dec. 22, 2015**

Related U.S. Application Data

(63) Continuation of application No. 29/516,367, filed on Jan. 30, 2015, now Pat. No. Des. 749,589, which is a continuation of application No. 29/466,537, filed on Sep. 9, 2013, now Pat. No. Des. 723,566.

(51) **LOC (10) Cl.** **14-02**

(52) **U.S. Cl.**
USPC **D14/435.1**

(58) **Field of Classification Search**
USPC D14/203.1, 356, 358, 432, 433, 434,
D14/435, 435.1, 480.1, 480.5, 484.1;
496/203.1
CPC G06F 1/187; G11B 2220/60
See application file for complete search history.

(56) **References Cited**

U.S. PATENT DOCUMENTS

D91,023 S * 11/1933 Ellsworth D9/431
4,120,037 A * 10/1978 Sato G06F 15/0208
361/679.21
D284,839 S * 7/1986 Biesecker D9/561
D330,376 S * 10/1992 Kawaguchi D14/212

D361,262 S * 8/1995 Lusker D9/561
D401,582 S * 11/1998 Gremchuck D14/210
D433,231 S * 11/2000 Kaplan D3/273
6,435,409 B1 8/2002 Hu
D470,125 S * 2/2003 Jordan D14/212
D478,064 S * 8/2003 Jordan D14/212
D521,509 S 5/2006 Chen
D522,518 S 6/2006 Loftus

(Continued)

OTHER PUBLICATIONS

Memorex M-Flyer TravelDrive—MFLYERTD 512MB eMemorex.com, 1 page, [online], [retrieved on Jan. 30, 2007]. Retrieved from the Internet <URL: http://www.ememorex.com/product_detail.asp?T1=MEM+MFL+YERTD+512M8>.

(Continued)

Primary Examiner — George D Kirschbaum

Assistant Examiner — Joseph Kukella

(74) *Attorney, Agent, or Firm* — Haynes and Boone, LLP.

(57) **CLAIM**

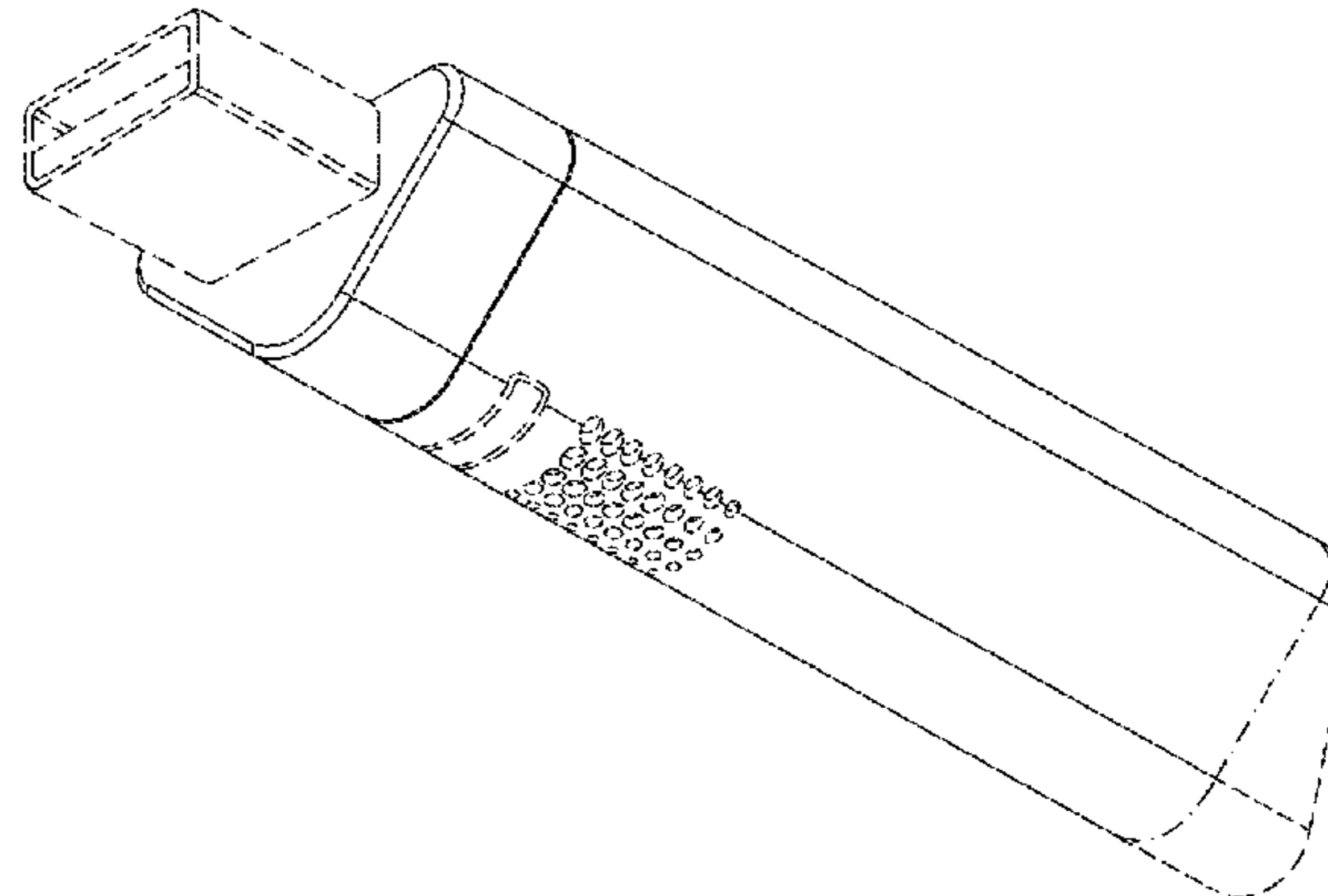
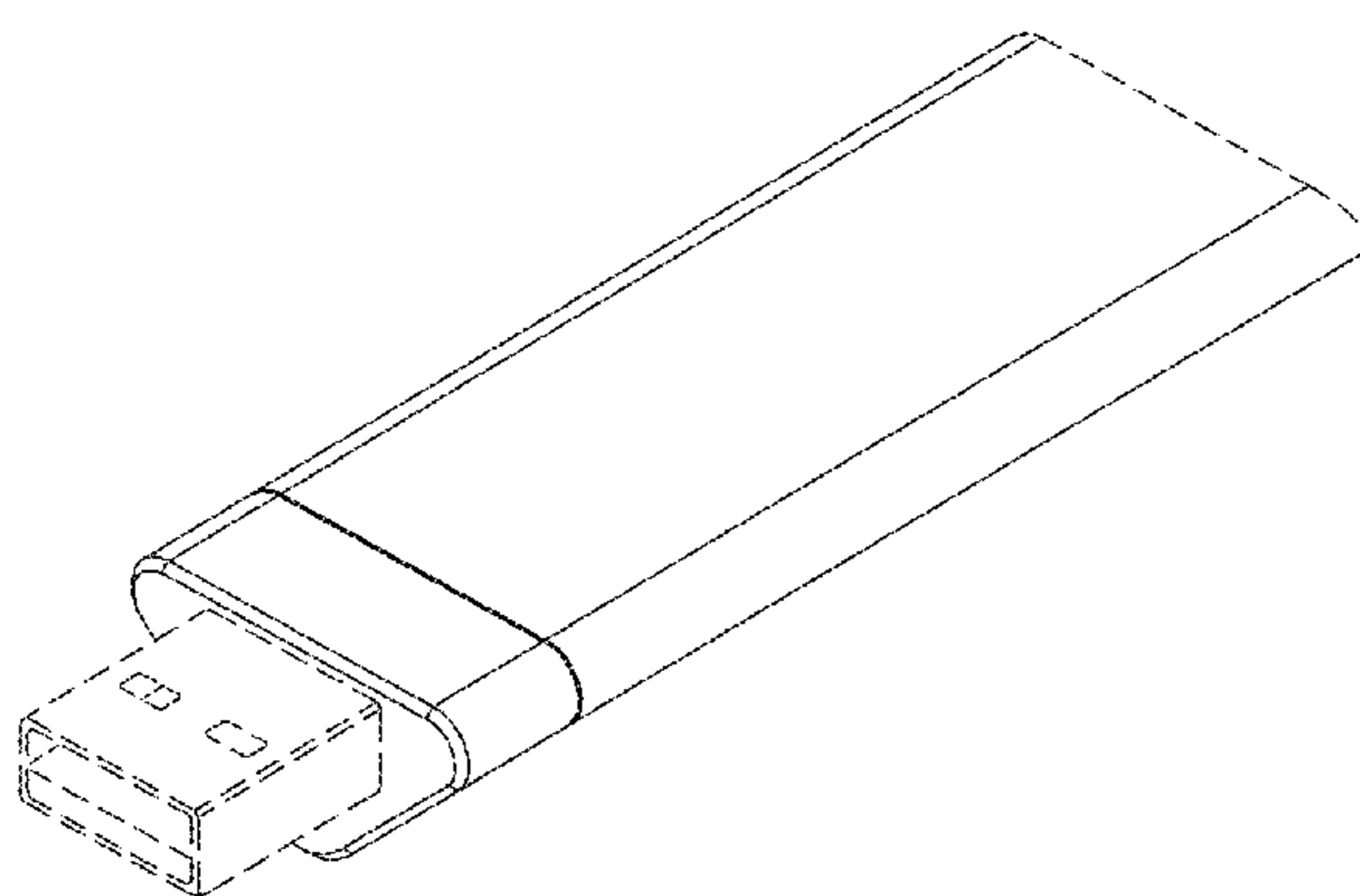
The ornamental design for a bluetooth low energy beacon, as shown and described.

DESCRIPTION

FIG. 1 is a perspective top view of a bluetooth low energy beacon showing our new design;
FIG. 2 is perspective bottom view thereof;
FIG. 3 is a top view thereof;
FIG. 4 is a front end view thereof;
FIG. 5 is a back end view thereof;
FIG. 6 is a bottom view thereof;
FIG. 7 is a side view thereof; and,
FIG. 8 is another side view thereof.

In the drawing, the broken lines indicate environmental subject matter that forms no part of the claimed design. The dot-dash lines represent the boundary of the claim.

1 Claim, 4 Drawing Sheets



(56)

References Cited

U.S. PATENT DOCUMENTS

D542,788	S	5/2007	Gutmann et al.	
7,361,032	B2	4/2008	Loftus	
D579,933	S	11/2008	Deguchi	
D607,462	S	1/2010	Chen	
D617,554	S *	6/2010	Raile	D3/263
D618,226	S	6/2010	Tong et al.	
D621,843	S	8/2010	Salzedo	
D624,012	S	9/2010	De Medeiros et al.	
D624,920	S	10/2010	Sheppard et al.	
D647,101	S	10/2011	Huang	
D648,730	S	11/2011	Huang	
D660,858	S	5/2012	Schlossstein	
D673,164	S	12/2012	Lin et al.	
D677,047	S *	3/2013	Watson	D3/203.5
D686,192	S *	7/2013	Widner	D14/212
D687,010	S *	7/2013	McManigal	D14/188
D688,247	S	8/2013	Girotti et al.	
D691,118	S *	10/2013	Ingham	D14/218
D698,338	S *	1/2014	Ingham	D14/218
D723,515	S *	3/2015	Ang	D14/204
D723,566	S	3/2015	Ferguson et al.	
D736,149	S	8/2015	Liu	
D737,250	S *	8/2015	Ingham	D14/218
D749,589	S *	2/2016	Ferguson	D14/435.1
2005/0247796	A1	11/2005	Chen	

OTHER PUBLICATIONS

Walle Pure, Smart White that Dazzles, -PQI Group, 2 pages, [online], [retrieved on Jan. 6, 2014]. Retrieved from the Internet <URL: http://www.pqigroup.com/prod_in.aspx?mnuid=1286&modid=138&prodid=571 >.

* cited by examiner

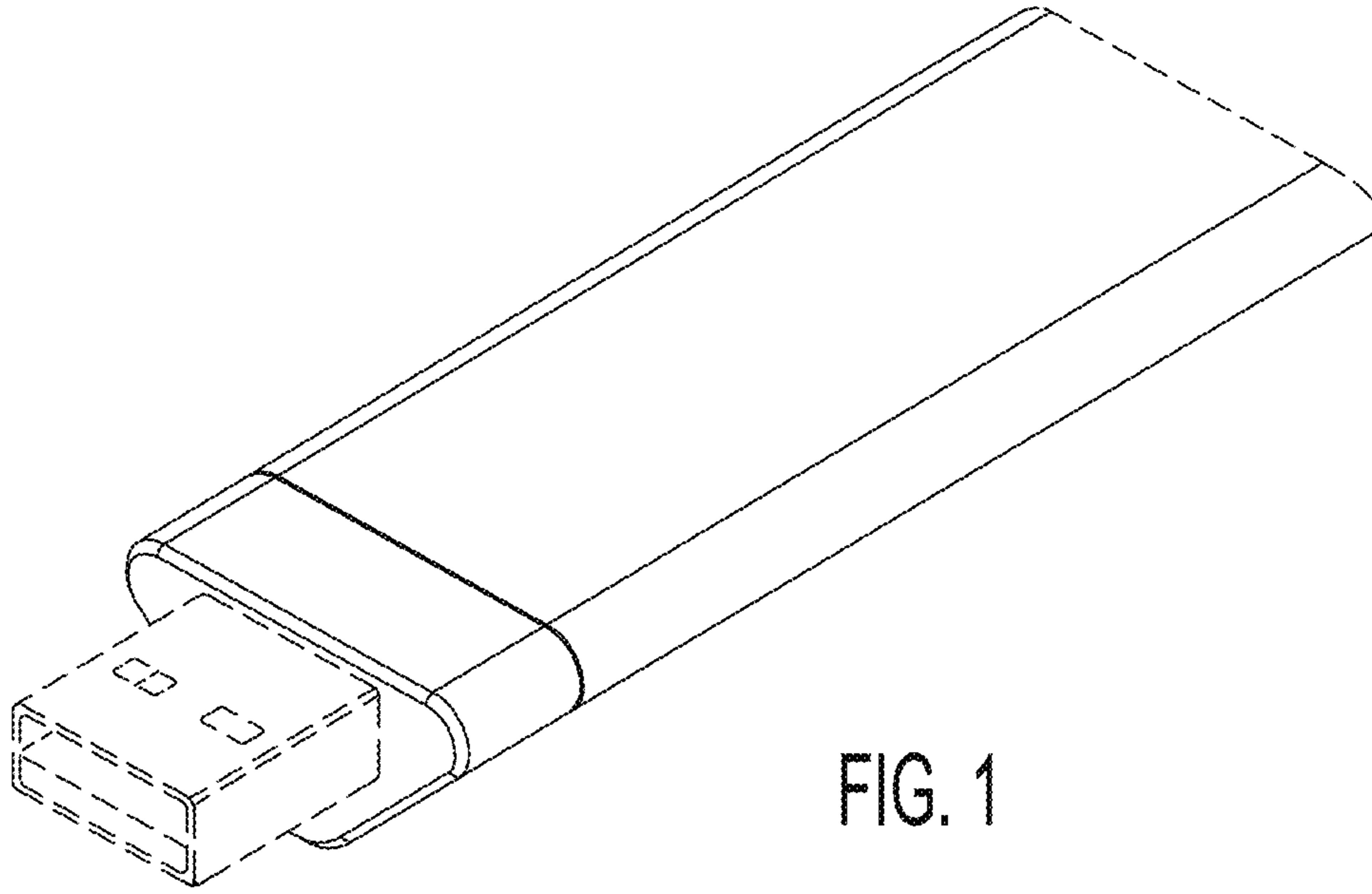


FIG. 1

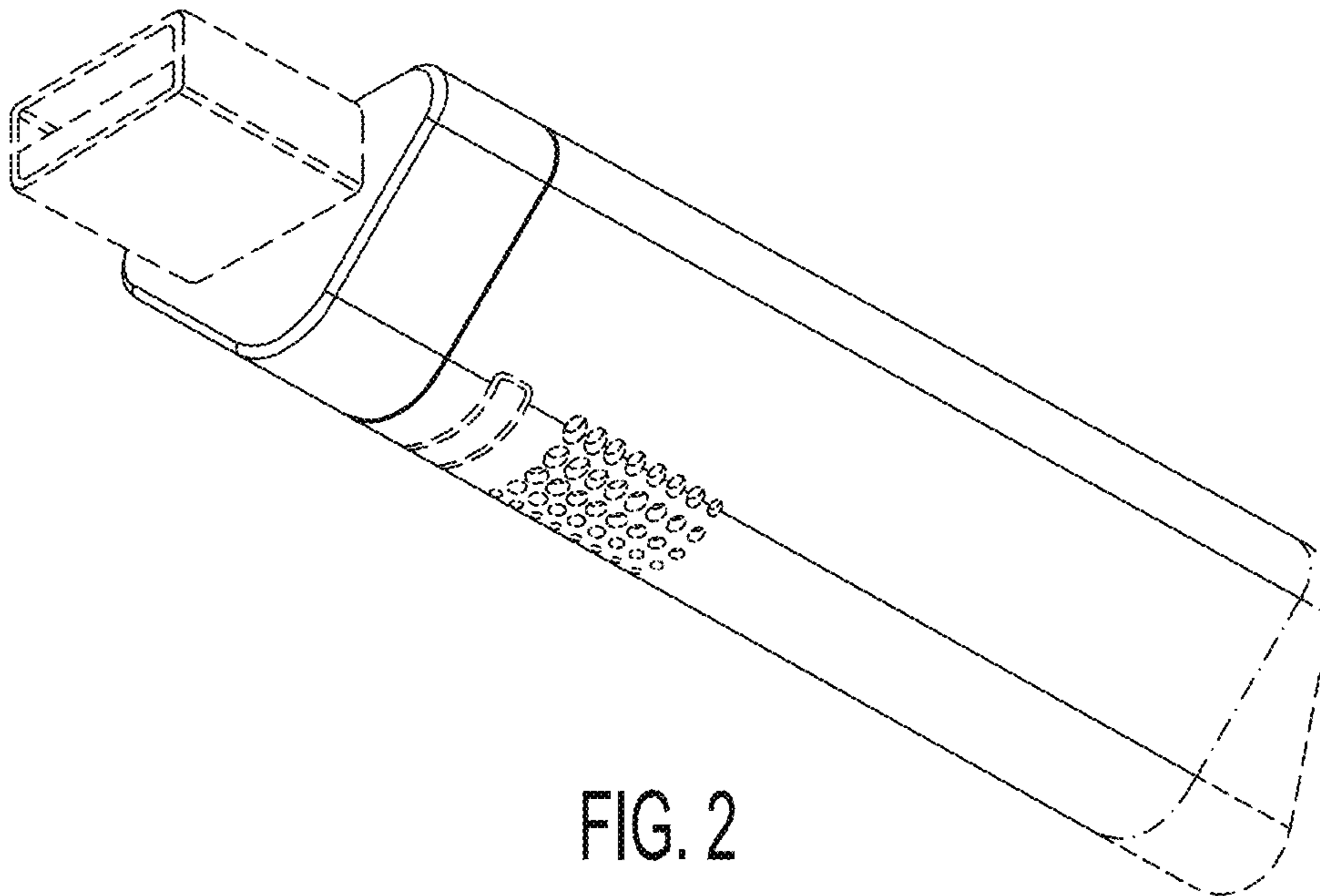


FIG. 2

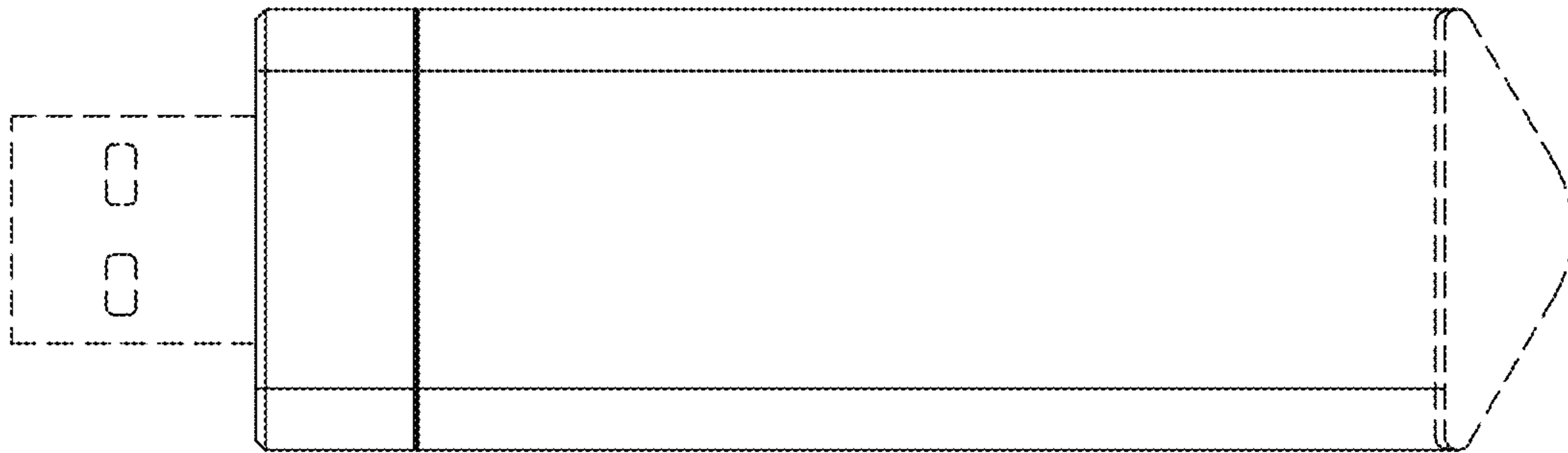


FIG. 3

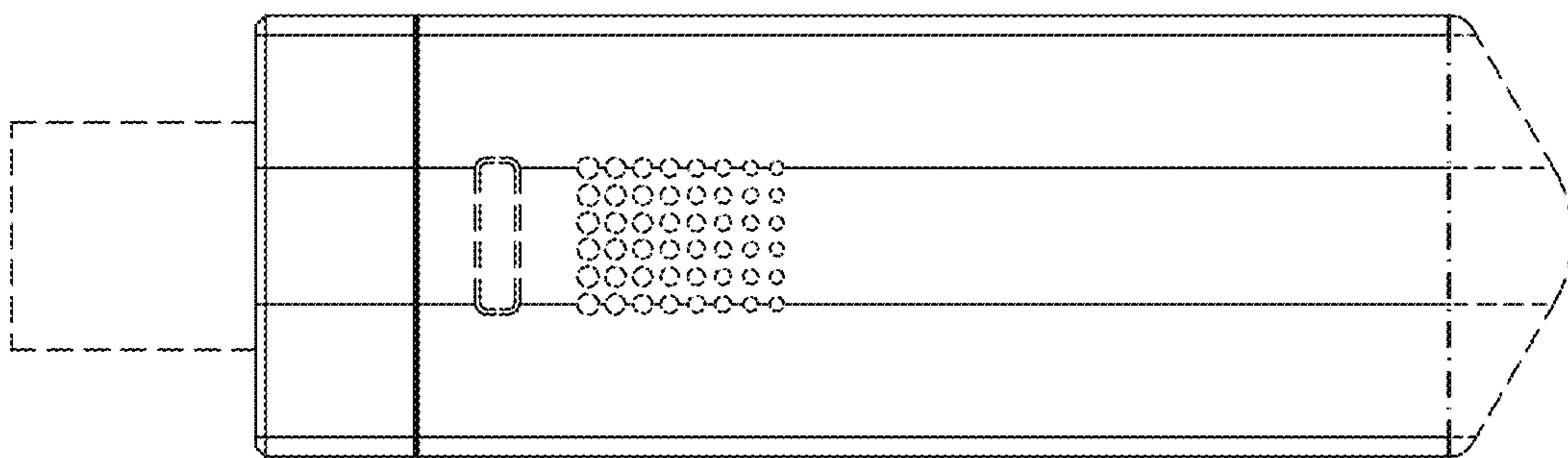


FIG. 6

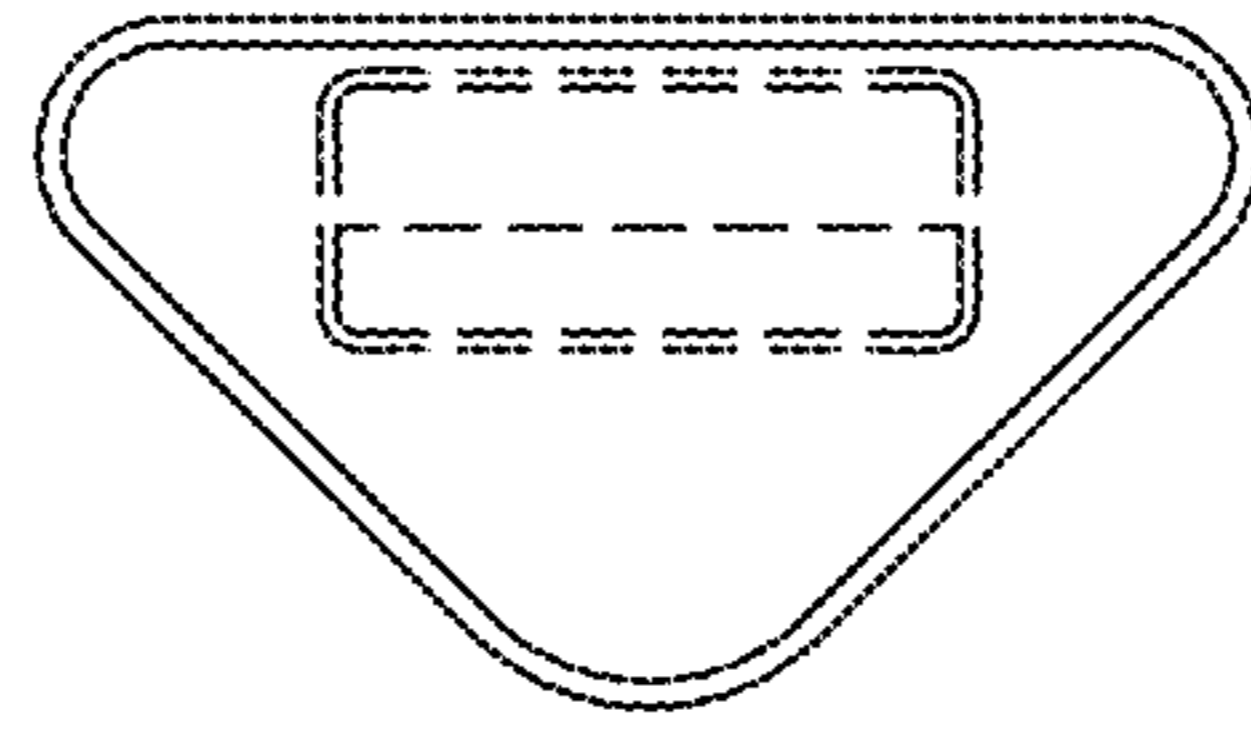


FIG. 5

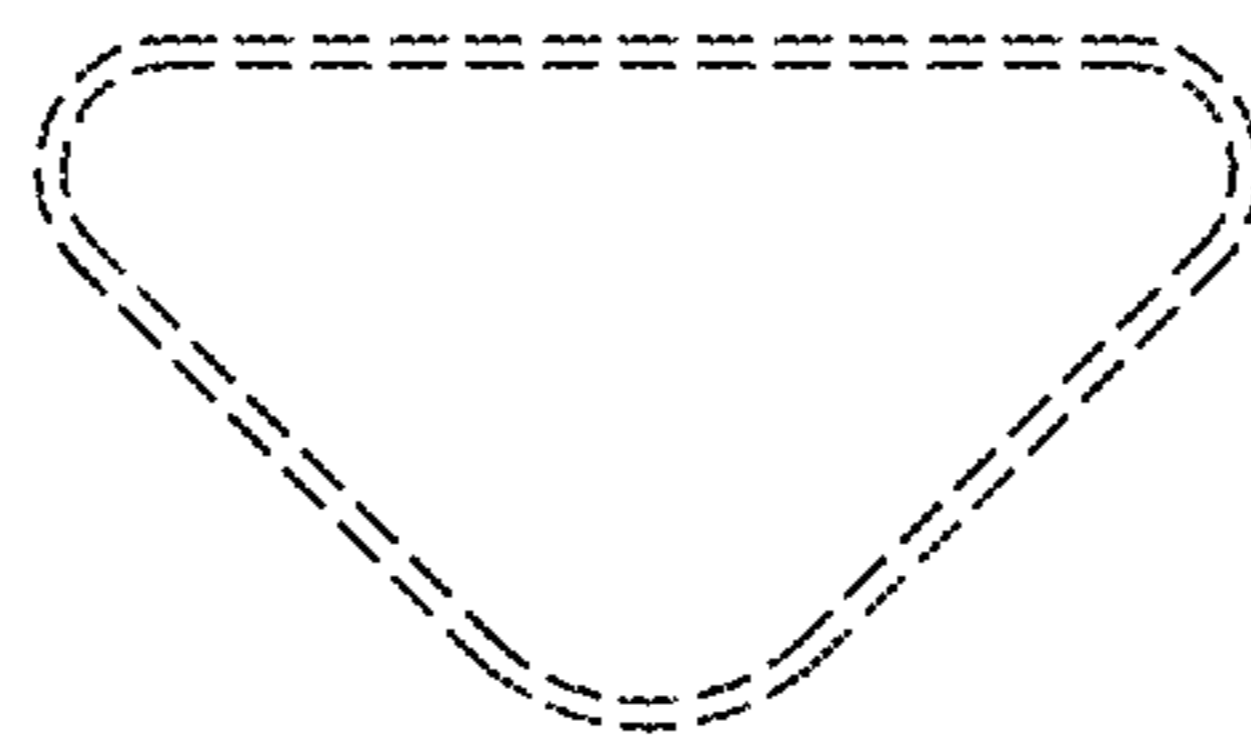


FIG. 4

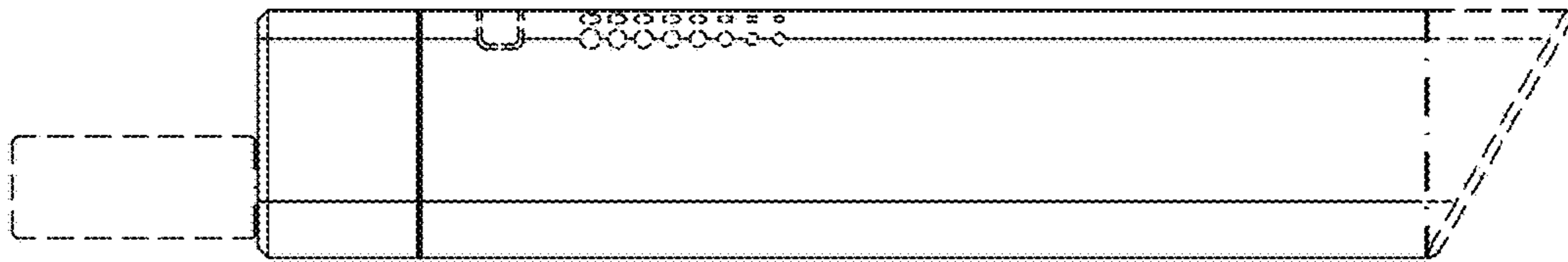


FIG. 8

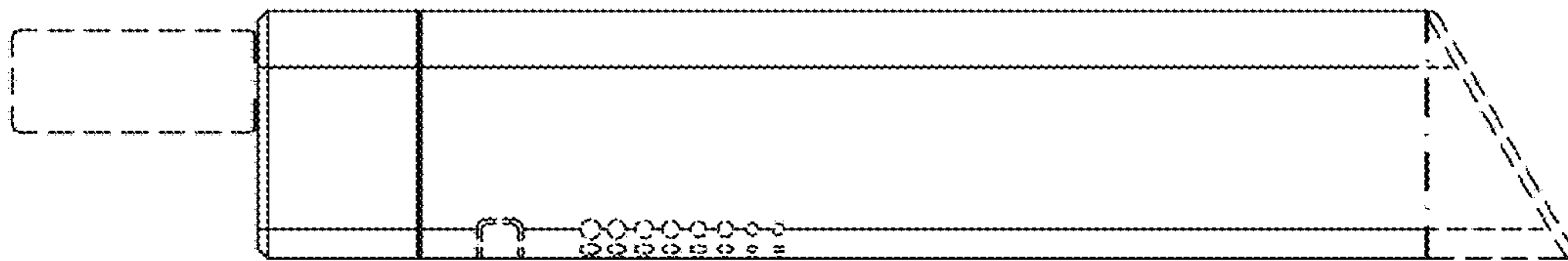


FIG. 7