



US00D780182S

(12) **United States Design Patent**
Klein et al.

(10) **Patent No.:** **US D780,182 S**

(45) **Date of Patent:** **** Feb. 28, 2017**

(54) **HANDHELD SCANNER**

(71) Applicant: **D4D Technologies, LLC**, Richardson, TX (US)

(72) Inventors: **Rob Klein**, Richardson, TX (US);
Chris Partee, Richardson, TX (US)

(73) Assignee: **D4D Technologies, LLC**, Richardson, TX (US)

(**) Term: **14 Years**

(21) Appl. No.: **29/448,288**

(22) Filed: **Mar. 11, 2013**

(51) **LOC (10) Cl.** **14-02**

(52) **U.S. Cl.**
USPC **D14/426**; D24/152

(58) **Field of Classification Search**
USPC D14/420, 426-430, 453, 346, 341, 347,
D14/412; D13/107, 184; 358/473;
235/462.43, 462.45, 462.47, 462.48,
235/462.44, 462.46, 487, 472.01, 472.02;
16/110.1, 430, 431; 439/133, 135;
709/219, 201; 710/73; 320/114, 115,
320/123; 361/679; 382/313, 321;
455/575.1, 561, 572; D24/152; 433/29,
433/37, 72, 114, 116; 348/66; 600/178,
600/180, 237, 241

CPC .. A61B 1/24; A61B 1/00; A61B 1/002; A61B
1/05; A61B 1/00009; A61B 1/247; A61B
1/005-1/0057; A61B 1/00011; A61B
1/00013; A61B 1/0002; A61B 1/00029;
A61B 1/00032; A61B 1/00034; A61B
1/00096; A61B 1/00108; A61B 1/00163;
A61B 5/0088; H04N 5/2251; H04N
5/2256; H04N 5/33; H04N 2005/2255;
H04N 1/00127; H04N 1/00135; H04N

1/00326; H04N 1/00334; H04N 1/00307;
H04N 1/107; H04N 2201/0084; H04N
2101/00; H04N 7/18; A62B 1/04; A61C
1/00; A61C 3/00; G06F 1/626; G06F
1/1626; G06F 1/1656; G06F 1/1632;
G06F 1/1684; G06F 1/1635; G06F 8/63;
G06F 17/30091; G06F

(Continued)

(56) **References Cited**

U.S. PATENT DOCUMENTS

D238,680 S * 2/1976 Pulos et al. D14/431
D254,872 S * 4/1980 Plozner D7/416

(Continued)

Primary Examiner — Susan Moon Lee

(74) *Attorney, Agent, or Firm* — David H. Judson

(57) **CLAIM**

The ornamental design for a handheld scanner, as shown and described.

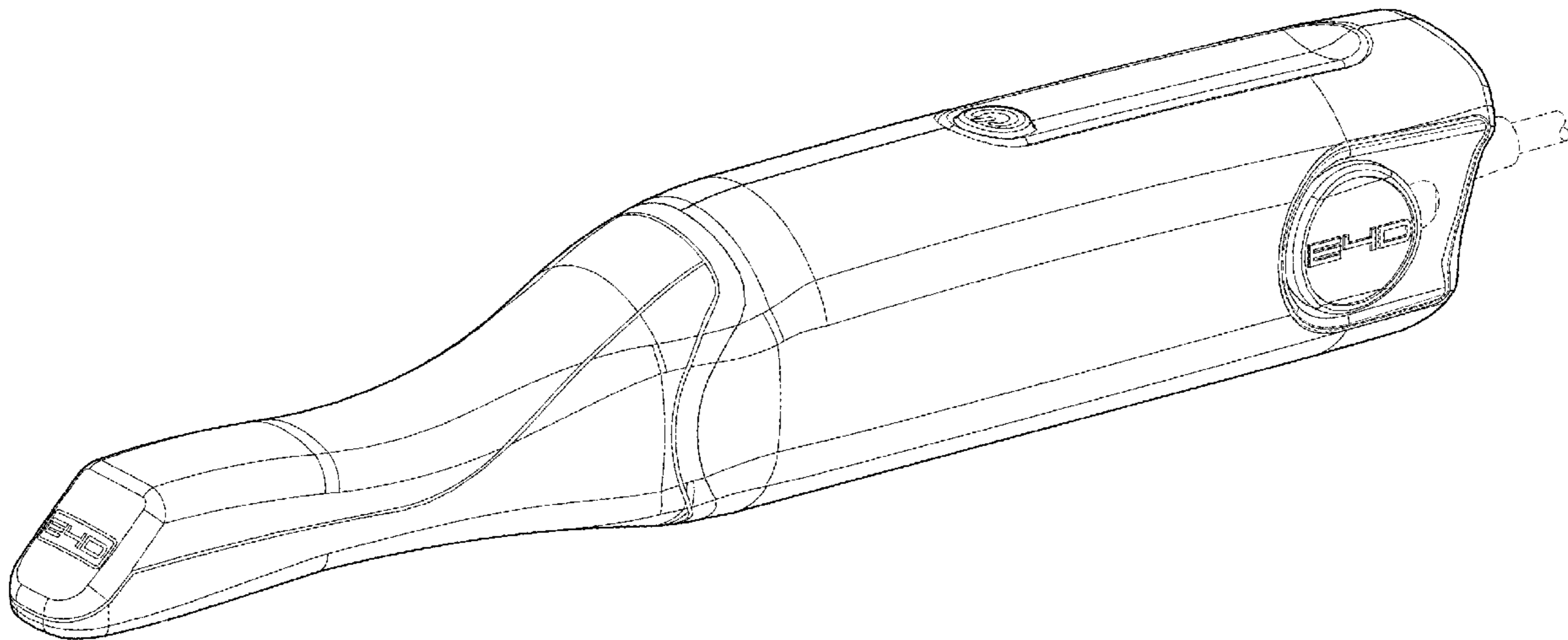
DESCRIPTION

FIG. 1 is a perspective view of the handheld scanner;
FIG. 2 is a side view of the scanner of FIG. 1;
FIG. 3 is a top view of the scanner of FIG. 1;
FIG. 4 is a bottom view of the scanner of FIG. 1;
FIG. 5 is front view of the scanner of FIG. 1; and,
FIG. 6 is a back view of the scanner of FIG. 1.

The characteristic feature of the design resides in the overall appearance of the article.

Broken lines and unshaded portions contained within broken lines depict portions of the handheld scanner that are environmentally illustrative only and form no part of the claimed design.

1 Claim, 3 Drawing Sheets



(58) **Field of Classification Search**

CPC 9/4401; G06K 7/10881; G06K 7/1098;
 G06K 7/10722; G06K 7/1404; G06K
 7/0004; G06K 7/10633; G06K 7/10851;
 G06K 7/1091; G06K 7/1092; G06K
 7/1093; G06K 7/10; G06K 7/109; G06K
 7/1417; G06K 9/228; G06K 17/0022;
 G06K 17/00; G06K 2207/1011; G06K
 2207/1013; G06K 2207/1016; G06K
 2207/1018; G06K 2017/0051; G06K
 2017/0067; G06K 2007/10524; G07G
 1/0081; G07G 1/009; G06Q 20/20; G06Q
 20/201-20/203; G06Q 20/30; G06Q
 20/32; G06Q 20/322; G06Q 20/4014;
 G06Q 10/087; H04M 1/0249; H04M
 1/0262; H04M 1/0266; H04M 1/18;
 H04M 1/23; H04M 1/236; H04B 1/3827;
 H04B 1/3833; H04B 1/3877; H04B
 1/3883; H04B 1/3888; H04B 2001/3894;
 H01M 2/1066

See application file for complete search history.

(56) **References Cited**

U.S. PATENT DOCUMENTS

D258,840 S * 4/1981 Plozner D7/416
 D267,820 S * 2/1983 Tomita D7/416
 D271,327 S * 11/1983 Guerra et al. D7/416
 4,611,288 A * 9/1986 Duret et al. 700/163
 4,696,645 A * 9/1987 Saupe et al. 433/125
 4,727,416 A * 2/1988 Cooper et al. 348/66
 D295,598 S * 5/1988 Takase D7/416
 4,757,381 A * 7/1988 Cooper et al. 348/66
 4,810,173 A * 3/1989 Thomson et al. 417/411
 4,810,194 A * 3/1989 Snedden 433/91
 4,837,732 A * 6/1989 Brandestini et al. 433/29
 4,850,342 A * 7/1989 Hashiguchi A61B 1/00179
 600/171
 5,016,098 A * 5/1991 Cooper et al. 348/66
 D319,228 S * 8/1991 Mori et al. D14/431
 D319,824 S * 9/1991 Riddiford D14/431
 5,049,070 A * 9/1991 Ademovic 433/29
 D321,180 S * 10/1991 Conversano et al. D14/431
 D330,707 S * 11/1992 Whitaker D14/431
 D338,001 S * 8/1993 Falkner et al. D14/431
 D344,500 S * 2/1994 Bruce et al. D14/431
 D351,151 S * 10/1994 Park et al. D14/431
 5,372,502 A * 12/1994 Massen et al. 433/215
 D354,196 S * 1/1995 Inoue D7/416
 D354,566 S * 1/1995 Donahoo D24/152
 5,408,992 A * 4/1995 Hamlin A61B 1/00142
 600/109
 D360,107 S * 7/1995 Segawa D7/416
 D360,557 S * 7/1995 Ono et al. D7/416
 D364,313 S * 11/1995 Zemel D7/416
 5,484,283 A * 1/1996 Franetzki 433/116
 5,523,782 A * 6/1996 Williams A61B 1/00177
 348/66
 5,527,261 A * 6/1996 Monroe et al. 600/109
 D377,736 S * 2/1997 Iwagaki et al. D7/416
 5,634,790 A * 6/1997 Pathmanabhan et al. 433/29
 D380,936 S * 7/1997 Hsu D7/416
 5,649,943 A * 7/1997 Amoils 606/161
 D382,172 S * 8/1997 Zemel D7/416
 D382,442 S * 8/1997 Ferrara, Jr. D7/416
 D383,357 S * 9/1997 Ferrara, Jr. D7/416
 5,662,586 A * 9/1997 Monroe A61B 1/00142
 348/66
 5,702,249 A * 12/1997 Cooper 433/29
 D389,699 S * 1/1998 Hsu D7/416
 D390,063 S * 2/1998 Kim D7/416
 D390,208 S * 2/1998 Tominaga et al. D14/431
 D390,749 S * 2/1998 Ferrara, Jr. D7/416

5,737,013 A * 4/1998 Williams et al. 348/66
 5,743,731 A * 4/1998 Lares et al. 433/29
 5,745,165 A * 4/1998 Atsuta et al. 348/65
 5,771,067 A * 6/1998 Williams et al. 348/66
 D396,463 S * 7/1998 Nada et al. D14/431
 D403,206 S * 12/1998 Hsu D7/416
 D406,010 S * 2/1999 Tubby et al. D7/416
 5,865,725 A * 2/1999 Arai et al. 600/176
 D406,581 S * 3/1999 Bhatia et al. D14/431
 D410,363 S * 6/1999 Tubby et al. D7/416
 D410,819 S * 6/1999 Hsu D7/416
 D414,867 S * 10/1999 Moriwaki et al. D24/152
 D419,541 S * 1/2000 Kawashima D14/431
 D419,547 S * 1/2000 Nada et al. D14/431
 6,019,721 A * 2/2000 Holmes et al. 600/167
 D424,372 S * 5/2000 Chevalier D7/416
 D424,374 S * 5/2000 Stein D7/416
 D428,766 S * 8/2000 Galimond D7/416
 6,095,811 A * 8/2000 Stearns 433/29
 6,102,695 A * 8/2000 Rosenstatter 433/29
 6,106,457 A * 8/2000 Perkins et al. 600/175
 D436,290 S * 1/2001 Harel D7/416
 6,181,369 B1 * 1/2001 Ooshima et al. 348/66
 6,190,309 B1 * 2/2001 Ooshima et al. 600/179
 D447,914 S * 9/2001 Tubby D7/416
 D458,805 S * 6/2002 Christen D7/416
 D460,074 S * 7/2002 Ponnert et al. D14/426
 D464,848 S * 10/2002 Chevalier et al. D7/416
 6,468,076 B2 * 10/2002 Kawamura 433/29
 D467,660 S * 12/2002 Cianciosi D24/152
 D468,429 S * 1/2003 Bareth et al. D24/152
 D469,305 S * 1/2003 Saito et al. D7/416
 D477,748 S * 7/2003 Deffner D7/416
 D479,842 S * 9/2003 Liu et al. D14/403
 6,648,817 B2 * 11/2003 Schara A61B 1/00183
 348/E13.008
 D482,932 S * 12/2003 Sher D7/416
 D493,530 S * 7/2004 Reschke D24/144
 6,761,561 B2 * 7/2004 Mandelkern A61B 1/00016
 433/29
 6,885,464 B1 * 4/2005 Pfeiffer et al. 356/602
 6,908,307 B2 * 6/2005 Schick 433/29
 6,977,732 B2 * 12/2005 Chen et al. 356/603
 D515,214 S * 2/2006 Jackson et al. D24/176
 7,010,223 B2 * 3/2006 Thoms 396/16
 D530,013 S * 10/2006 Fischer et al. D24/176
 D531,632 S * 11/2006 Brandon et al. D14/426
 D532,256 S * 11/2006 van Geenen D7/416
 D532,906 S * 11/2006 Kim et al. D24/152
 D533,946 S * 12/2006 Lintner et al. D24/152
 7,184,150 B2 * 2/2007 Quadling et al. 356/602
 D542,796 S * 5/2007 Chan D14/431
 7,255,558 B2 * 8/2007 Babayoff et al. 433/29
 7,270,543 B2 * 9/2007 Stookey A61B 5/0088
 433/215
 D558,345 S * 12/2007 Witt D24/152
 D562,898 S * 2/2008 Allen, Jr. D19/60
 D564,839 S * 3/2008 Wang D7/416
 D574,381 S * 8/2008 Chan D14/431
 D576,674 S * 9/2008 Tseng D19/36
 7,494,338 B2 * 2/2009 Durbin et al. 433/29
 D587,810 S * 3/2009 Weber et al. D24/186
 D597,207 S * 7/2009 Kobayashi D24/152
 7,570,984 B2 * 8/2009 Katsuda et al. 600/407
 D613,865 S * 4/2010 De Charentenay D24/152
 D614,628 S * 4/2010 Taylor et al. D14/431
 D618,799 S * 6/2010 Plank et al. D24/152
 D625,819 S * 10/2010 Kagawa et al. D24/152
 D627,471 S * 11/2010 Mueller et al. D24/176
 D630,747 S * 1/2011 Shinohara et al. D24/152
 D634,014 S * 3/2011 Noui D24/176
 D638,944 S * 5/2011 Smith et al. D24/176
 7,946,846 B2 * 5/2011 Babayoff et al. 433/29
 D648,026 S * 11/2011 Okawa et al. D24/152
 8,063,932 B2 * 11/2011 Boyer et al. 348/66
 D653,340 S * 1/2012 Goerge et al. D24/152
 D653,761 S * 2/2012 Lytle D24/209
 D669,083 S * 10/2012 Brain D14/426
 D669,583 S * 10/2012 Kagawa D24/152

(56)

References Cited

U.S. PATENT DOCUMENTS

D672,047 S * 12/2012 Hsu D24/200
 D674,091 S * 1/2013 Carlson et al. D24/152
 8,360,771 B2 * 1/2013 Stookey et al. 433/29
 D686,621 S * 7/2013 Pawlus D14/411
 8,500,447 B2 * 8/2013 Rothenwaender et al. 433/29
 D711,951 S * 8/2014 Mazuir D16/218
 D712,538 S * 9/2014 Park D24/152
 D722,164 S * 2/2015 Graham, II D24/152
 D742,518 S * 11/2015 Barak D24/158
 9,241,616 B1 * 1/2016 Mortensen G03B 15/14
 2001/0000672 A1 * 5/2001 Ooshima et al. 348/65
 2001/0012605 A1 * 8/2001 Kawamura 433/29
 2002/0049464 A1 * 4/2002 Donofrio et al. 606/169
 2002/0197582 A1 * 12/2002 Cao 433/29
 2003/0045798 A1 * 3/2003 Hular et al. 600/476
 2003/0096210 A1 * 5/2003 Rubbert et al. 433/24
 2003/0107652 A1 * 6/2003 Williams 348/207.99
 2003/0142206 A1 * 7/2003 Williams 348/66
 2003/0147258 A1 * 8/2003 Fischer et al. 362/573
 2004/0218039 A1 * 11/2004 Cooper 348/66
 2005/0003323 A1 * 1/2005 Katsuda et al. 433/29
 2005/0099638 A1 * 5/2005 Quadling et al. 356/603
 2006/0245187 A1 * 11/2006 Scott A61C 19/004
 362/231
 2007/0126865 A1 * 6/2007 Boyer et al. 348/66

2008/0082000 A1 * 4/2008 Thoms A61B 1/00177
 600/476
 2008/0182222 A1 * 7/2008 Li 433/29
 2008/0285302 A1 * 11/2008 Scott et al. 362/573
 2010/0238279 A1 * 9/2010 Thoms A61B 1/00089
 348/77
 2010/0284589 A1 * 11/2010 Thiel et al. 382/128
 2011/0032960 A1 * 2/2011 Gerlitz 372/29.021
 2011/0221878 A1 * 9/2011 Kitaoka et al. 348/66
 2012/0056993 A1 * 3/2012 Luqman A61B 1/00045
 348/47
 2012/0130254 A1 * 5/2012 Hackel A61B 1/00096
 600/476
 2012/0281135 A1 * 11/2012 Gebhardt A61B 1/042
 348/374
 2013/0023785 A1 * 1/2013 Fraden 600/549
 2013/0034825 A1 * 2/2013 Phillips A61B 1/00016
 433/29
 2013/0183633 A1 * 7/2013 Dillon A61B 5/742
 433/31
 2013/0203010 A1 * 8/2013 Inglese A61B 1/00011
 433/29
 2013/0286174 A1 * 10/2013 Urakabe 348/66
 2014/0248576 A1 * 9/2014 Tchouprakov et al. 433/30
 2014/0313299 A1 * 10/2014 Gebhardt A61B 1/24
 348/66

* cited by examiner

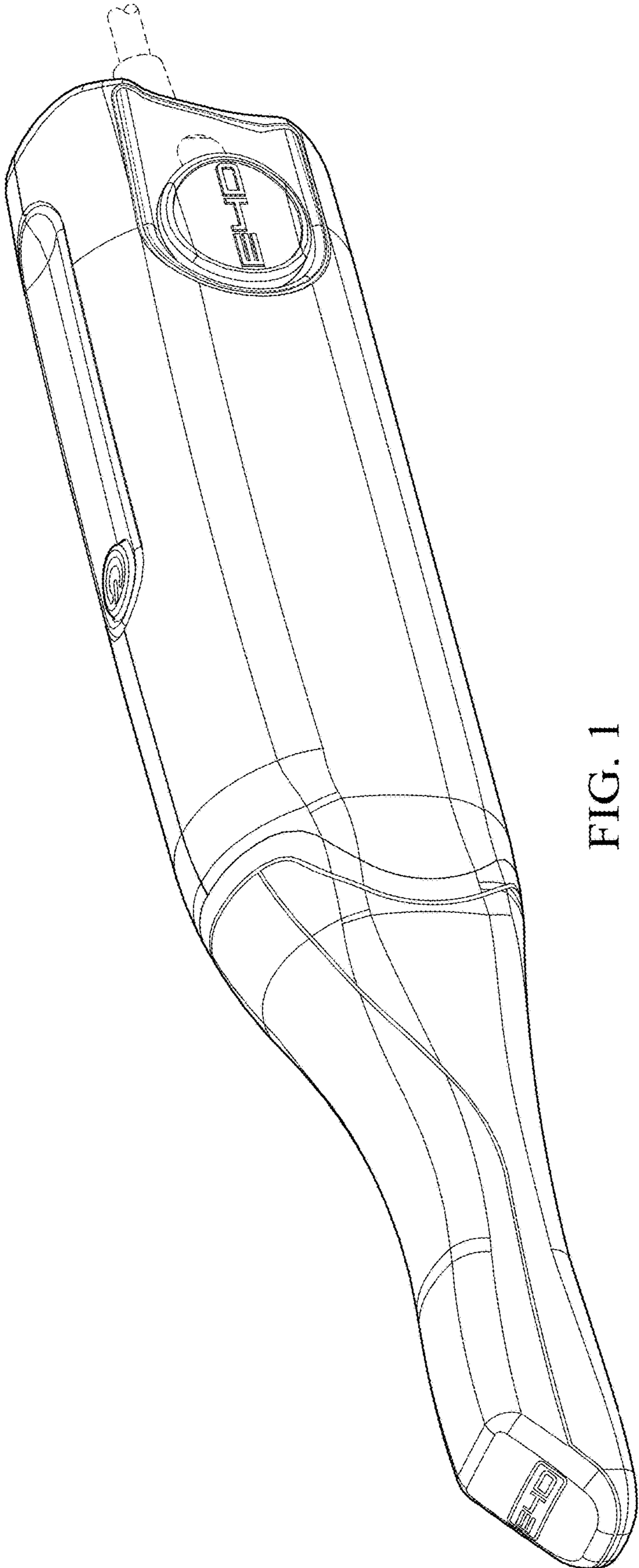


FIG. 1

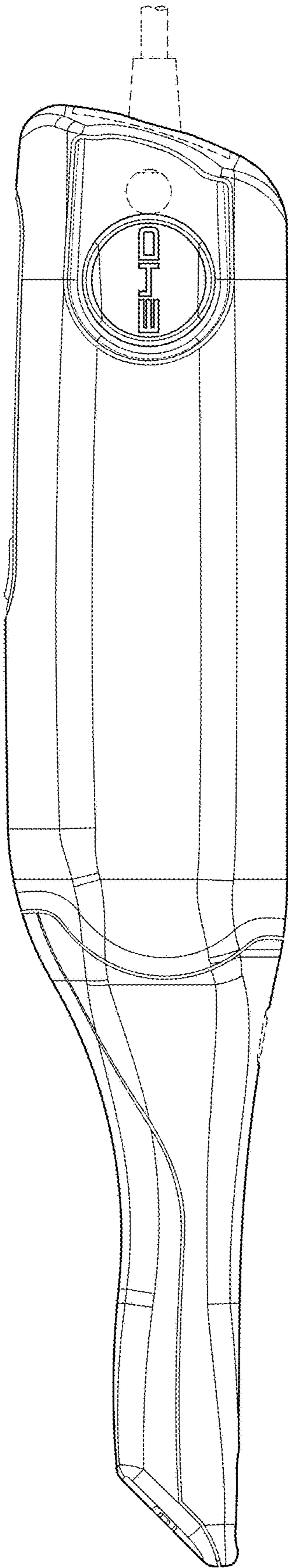


FIG. 2

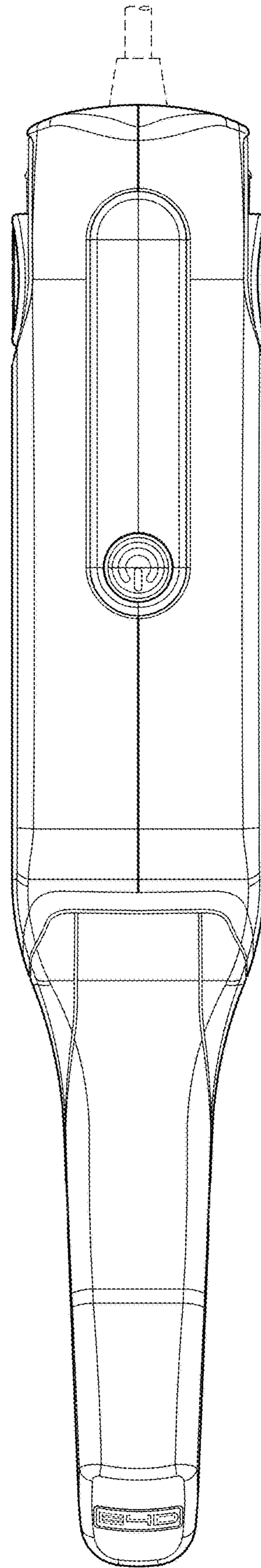


FIG. 3

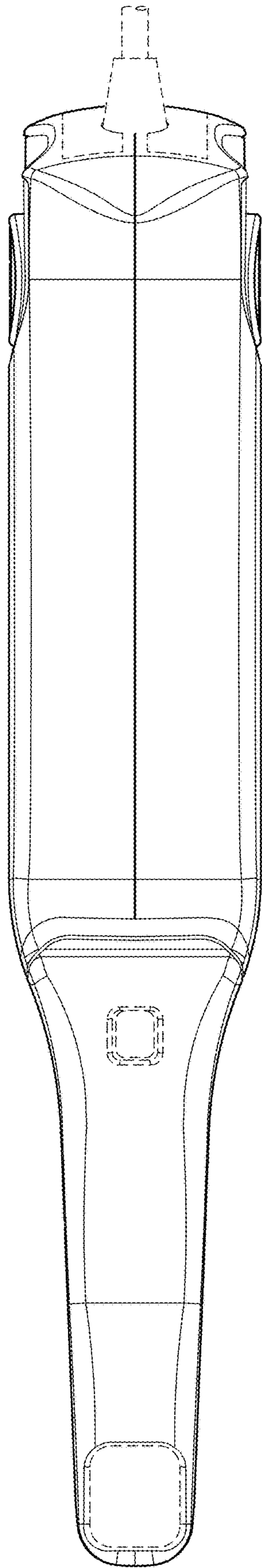


FIG. 4

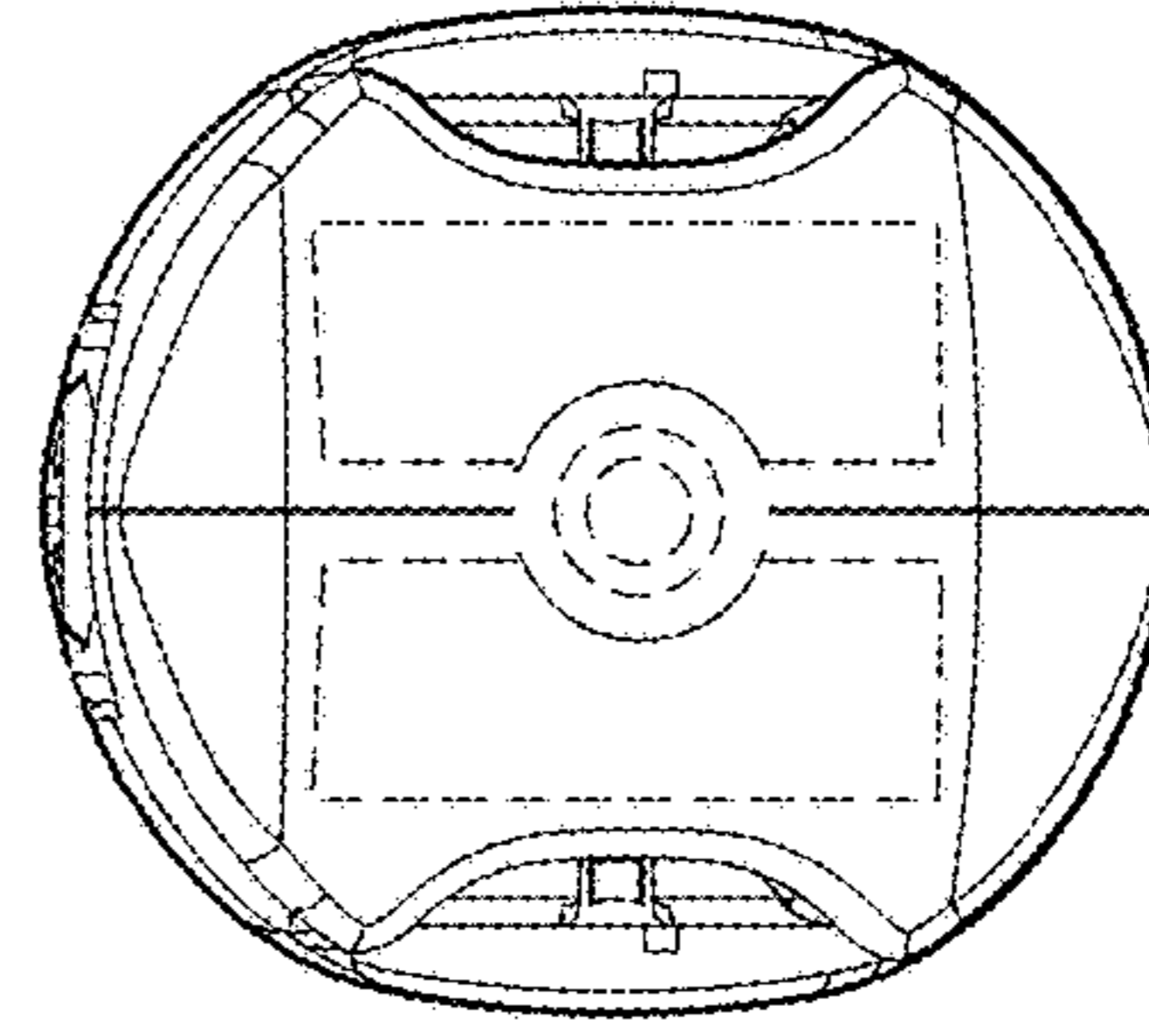


FIG. 5

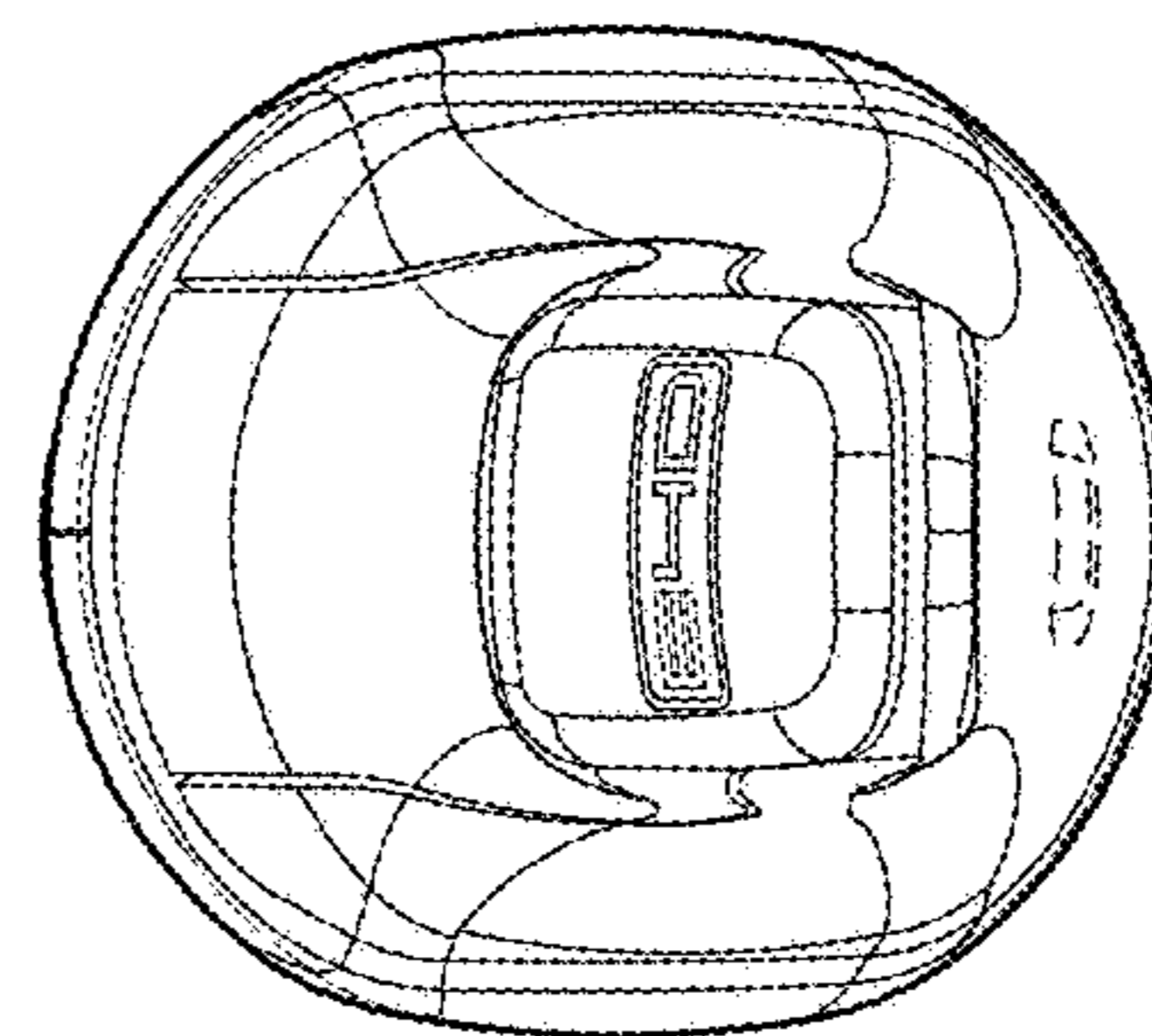


FIG. 6