



US00D780181S

(12) **United States Design Patent** (10) **Patent No.:** **US D780,181 S**
Peng (45) **Date of Patent:** **** Feb. 28, 2017**

(54) **SCANNER**

(71) Applicant: **AVISION INC.**, Hsinchu (TW)

(72) Inventor: **Chao-Yu Peng**, Hsinchu (TW)

(73) Assignee: **Avision Inc.** (YE)

(**) Term: **15 Years**

(21) Appl. No.: **29/547,397**

(22) Filed: **Dec. 3, 2015**

(51) **LOC (10) Cl.** **14-02**

(52) **U.S. Cl.**
USPC **D14/422**

(58) **Field of Classification Search**
USPC D14/421-425; D18/40, 36-39, 41, D18/44-56; 235/462, 455, 470, 462.43, 235/482, 483; 358/474, 486, 488, 496, 358/498, 452, 449, 451, 453.1, 1.13; 318/685, 696; 355/81, 75; 399/405, 367, 399/379, 380; 382/217; 715/209, 222, 715/226, 274; 400/613, 400/613.1-613.4, 400/690.1-690.4, 691-694
CPC H04N 1/00; H04N 1/12; H04N 1/00013; H04N 1/00015; H04N 1/00018; H04N 1/00026; H04N 1/00557; H04N 1/00564; H04N 1/00567; H04N 1/0057; H04N 1/00572; H04N 1/00586; H04N 1/00588; H04N 1/005; H04N 1/91; H04N 1/00594; H04N 1/00596; H04N 1/00604; H04N 1/00519; H04N 1/00559; H04N 1/1013; H04N 1/10; H04N 1/00551; H04N 1/00278; H04N 2201/0456; H04N 2201/0446; H04N 2201/00; H04N 2201/0094; G03G 15/0142; G03G 15/605; G03G 15/602; B65H 5/26; B65H 5/30; B65H 7/00; B65H 2402/515; B65H 2402/31; B65H 2511/20; B65H 2511/414; B65H 2511/00194; B65H 2511/00198; B65H 2511/00202; B65H 2511/00206; B65H 2301/00; B65H 2220/04; B65H 3/5261; B65H 2513/42; B65H 2801/39; B65H 2801/31

See application file for complete search history.

(56) **References Cited**

U.S. PATENT DOCUMENTS

D277,133 S * 1/1985 Houlihan D24/165
D286,437 S * 10/1986 Nishibori D24/165
D293,578 S * 1/1988 Matsumoto D18/55
D297,051 S * 8/1988 Kawamura D24/165
D315,360 S * 3/1991 Tokuda D18/54
D315,361 S * 3/1991 Kojima D18/55
D316,869 S * 5/1991 Sugawara D18/54
D317,014 S * 5/1991 Oyamada D18/54
D317,783 S * 6/1991 Matsumoto D18/54
D326,678 S * 6/1992 Uchibori D18/55
D333,302 S * 2/1993 Ebihara D14/462
D339,576 S * 9/1993 Sawada D14/462
D344,079 S * 2/1994 Inukai D14/462
D345,353 S * 3/1994 Dietrich D14/462
D350,075 S * 8/1994 Reeder D10/94
D352,731 S * 11/1994 Sugimoto D18/50
D366,900 S * 2/1996 Pangburn 347/108
D374,888 S * 10/1996 Udagawa D18/50
D384,945 S * 10/1997 Takada D14/420

(Continued)

Primary Examiner — Susan Moon Lee

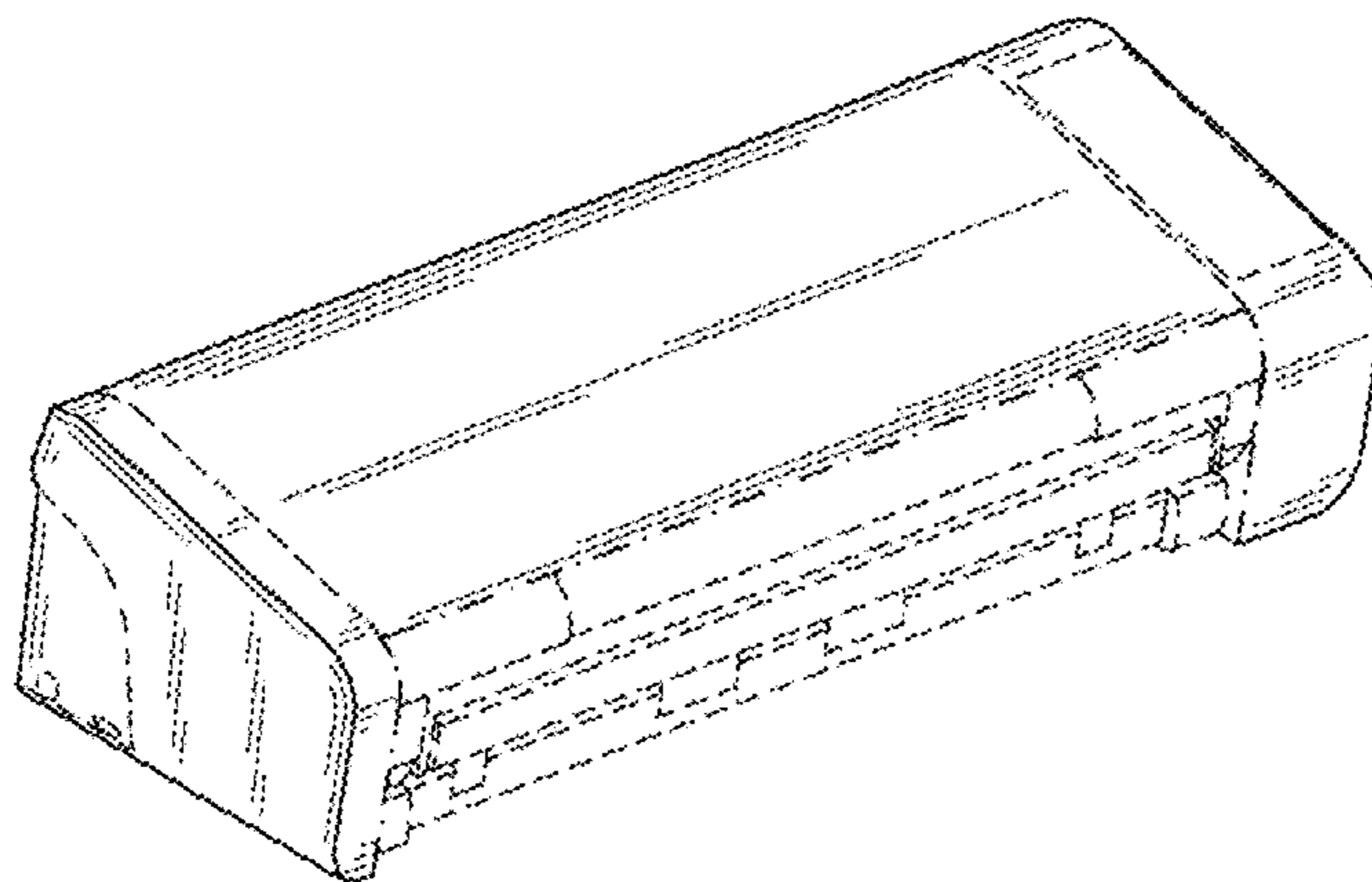
(57) **CLAIM**

The ornamental design for a scanner, as shown and described.

DESCRIPTION

FIG. 1 is a perspective view of a scanner showing my new design;
FIG. 2 is a front view thereof;
FIG. 3 is a rear view thereof;
FIG. 4 is a left side view thereof;
FIG. 5 is a right side view thereof;
FIG. 6 is a top plan view thereof; and,
FIG. 7 is a bottom plan view thereof.
Broken lines and unshaded areas contained within broken lines depict elements of the scanner that form no part of the claimed design.

1 Claim, 4 Drawing Sheets



(56)

References Cited

U.S. PATENT DOCUMENTS

D390,258 S *	2/1998	Kawahara	347/108	D706,269 S *	6/2014	Qian	D14/422
6,250,827 B1 *	6/2001	Nojima	B41J 29/02	D709,125 S *	7/2014	Lim	D18/50
			400/691	D716,305 S *	10/2014	Tani	D14/422
D466,924 S *	12/2002	Wong	D18/55	D754,787 S *	4/2016	Yoshioka	D18/50
D497,940 S *	11/2004	Hwang	D18/50	D767,570 S *	9/2016	Ishida	D14/425
D516,620 S *	3/2006	Wong	D18/55	2005/0050856 A1 *	3/2005	Baptista	B65B 51/146
7,029,113 B2 *	4/2006	Hwang	B41J 29/13				53/434
			347/108	2009/0230611 A1 *	9/2009	Ngai	H04N 1/00525
D523,469 S *	6/2006	Hwang	D18/50				271/145
7,134,259 B2 *	11/2006	Huang	B65B 31/046	2010/0053701 A1 *	3/2010	Yoshida	H04N 1/00525
			53/374.9				358/474
D544,907 S *	6/2007	Tjin Wong Joe	D18/55	2010/0060948 A1 *	3/2010	Yoshida	H04N 1/00519
D563,413 S *	3/2008	Kuroda	D14/422				358/474
D624,545 S *	9/2010	Kuroda	D14/422	2013/0056923 A1 *	3/2013	Kuriki	B65H 31/02
D624,546 S *	9/2010	Kuroda	D14/422				271/145
D669,081 S *	10/2012	Iwai	D14/422	2013/0056924 A1 *	3/2013	Mizuno	B65H 9/06
D669,526 S *	10/2012	Sakurai	D18/50				271/162
D680,157 S *	4/2013	Umezawa	D18/34.3	2013/0163056 A1 *	6/2013	Hanayama	H04N 1/00013
D682,329 S *	5/2013	Day	D15/146				358/474
D694,793 S *	12/2013	Cumming	D15/146	2014/0092456 A1 *	4/2014	Ukai	H04N 1/00588
D694,794 S *	12/2013	Cumming	D15/146				358/498
D699,726 S *	2/2014	Seki	D14/422	2014/0118804 A1 *	5/2014	Tomono	H04N 1/00811
							358/498

* cited by examiner

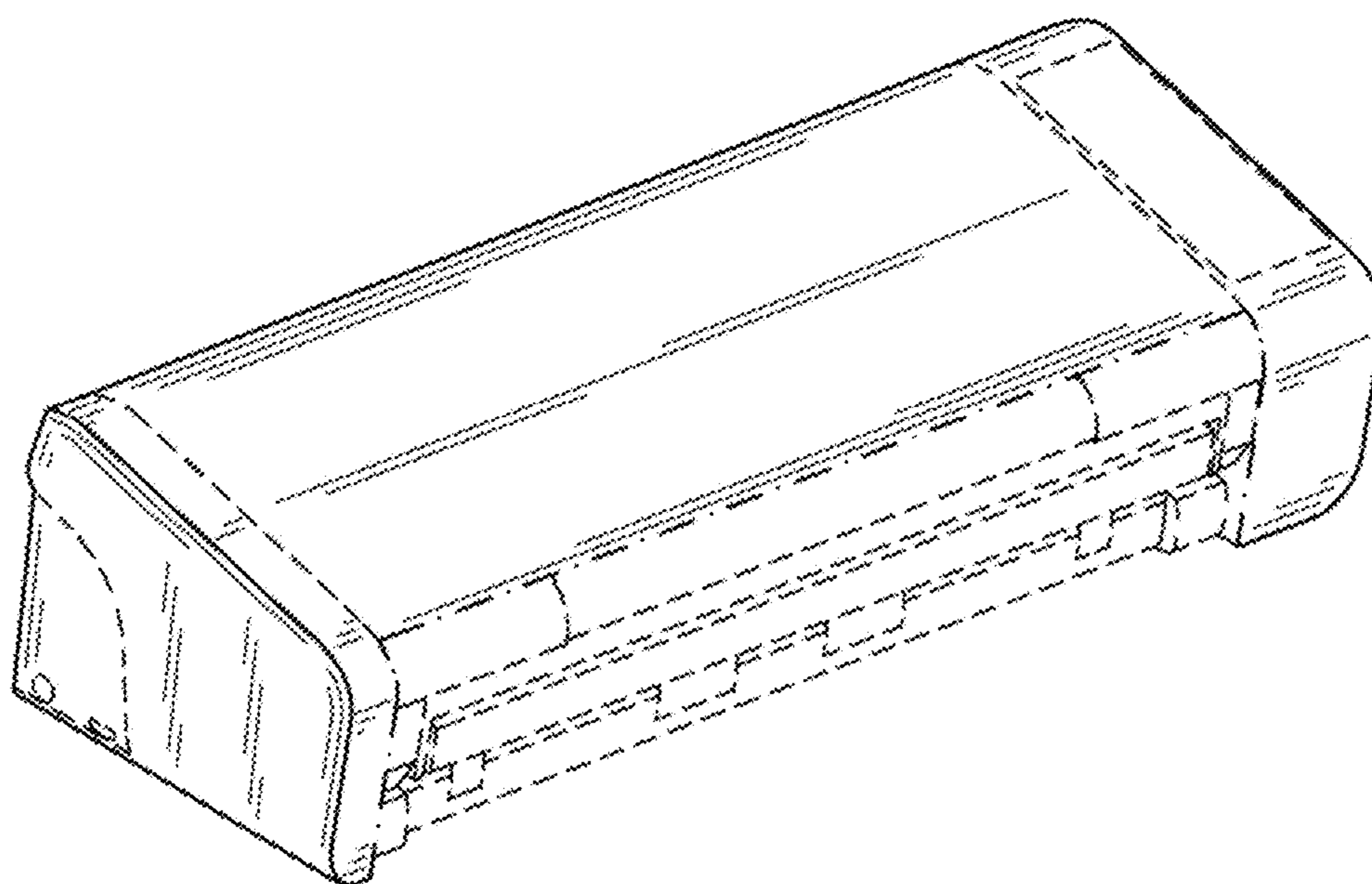


FIG. 1



FIG. 2

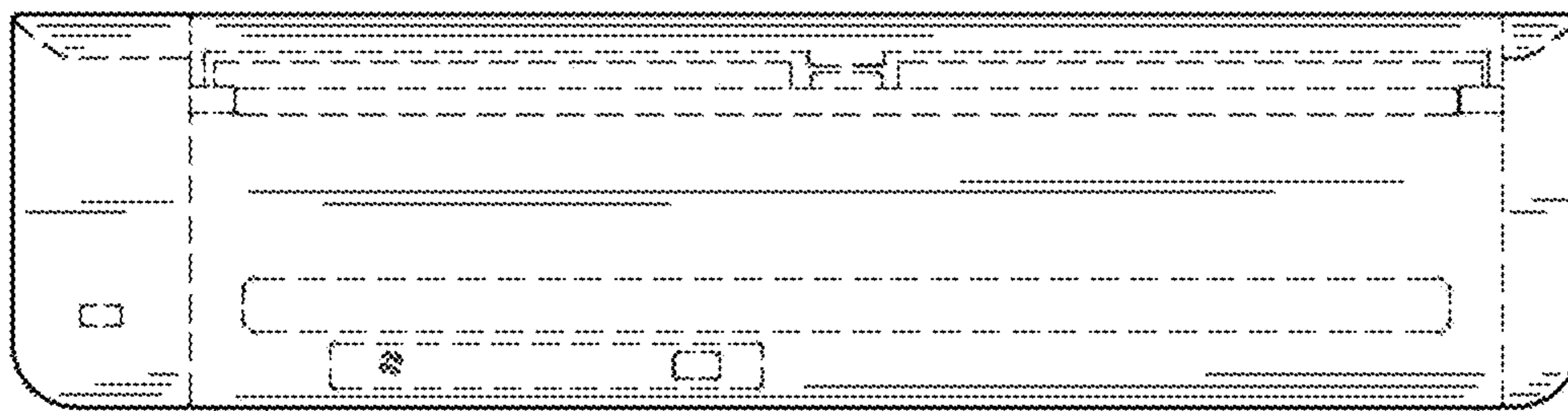


FIG. 3

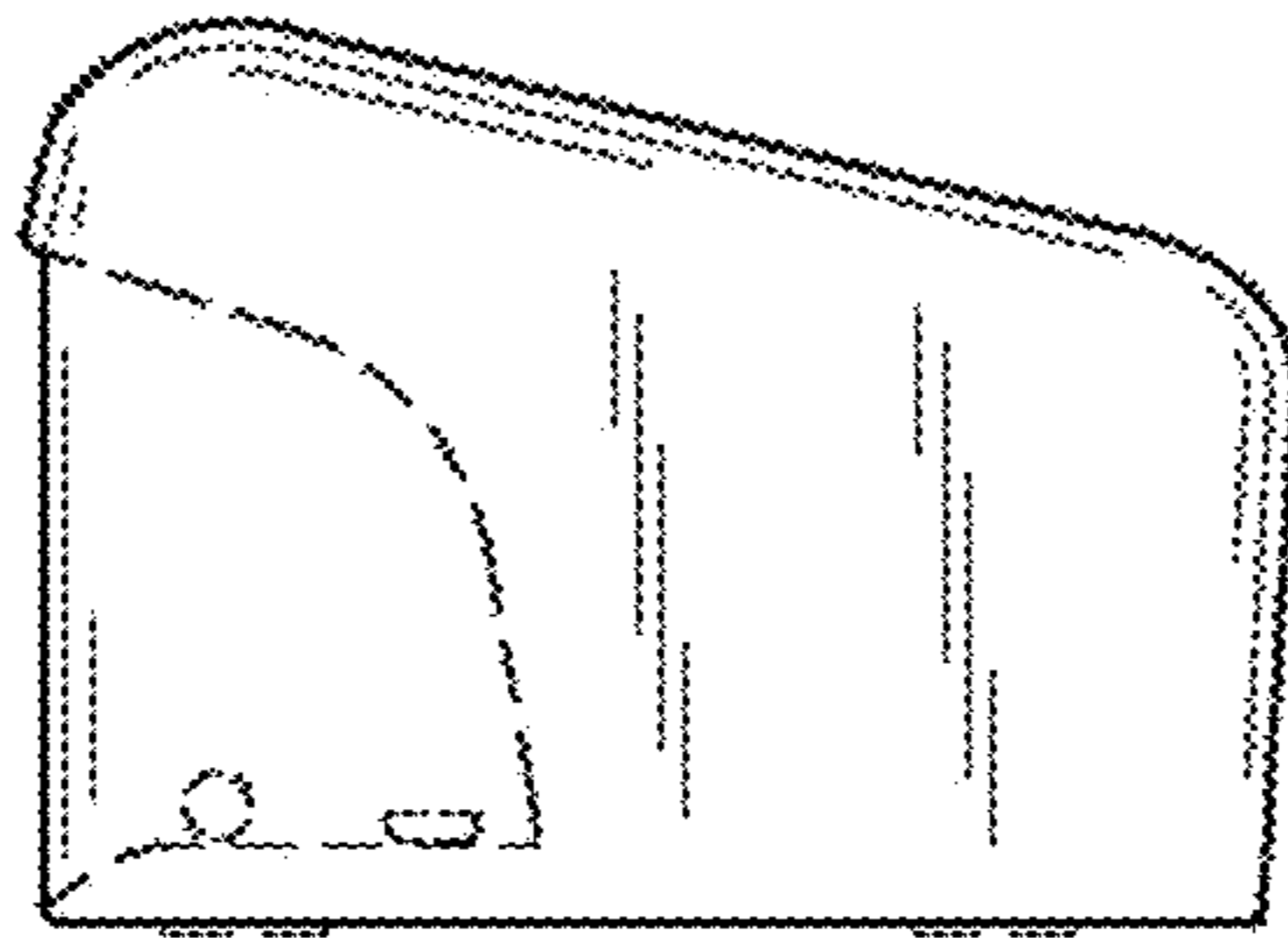


FIG. 4

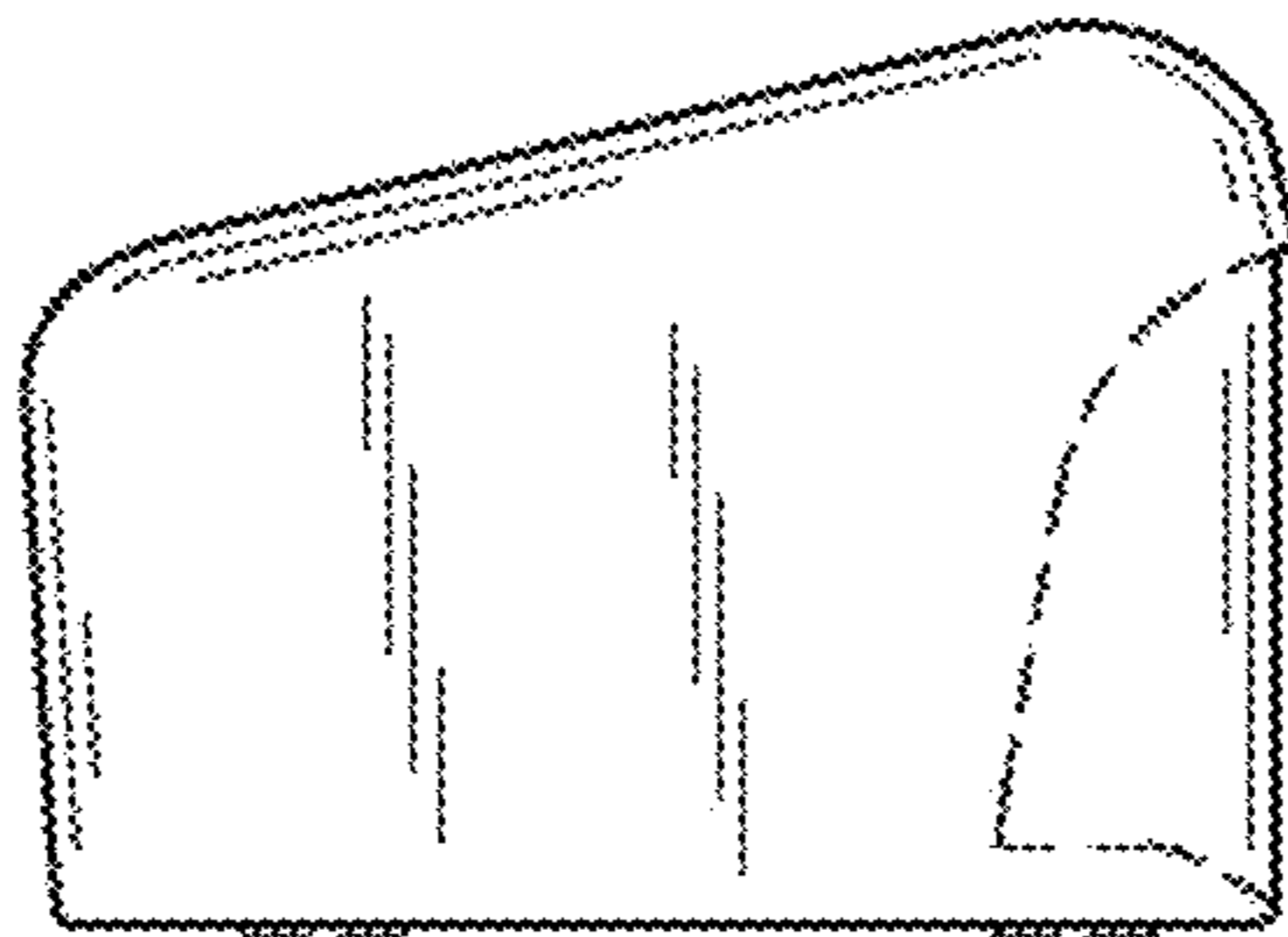


FIG. 5

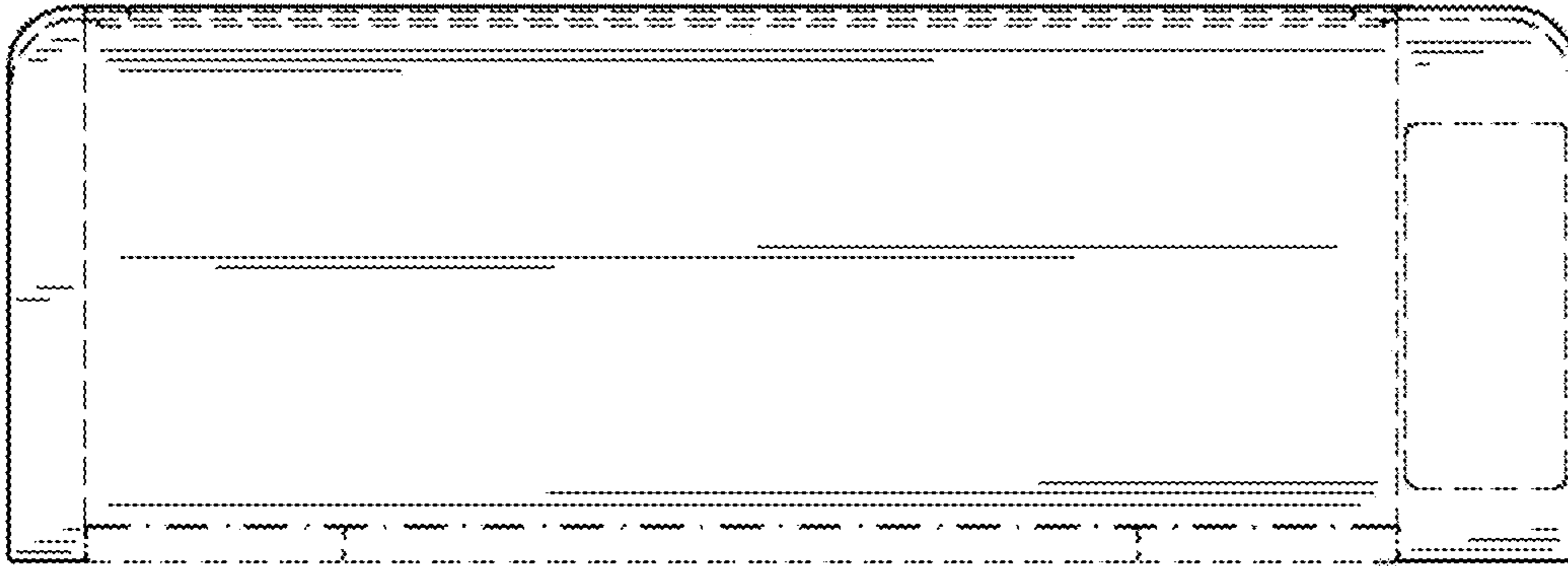


FIG. 6

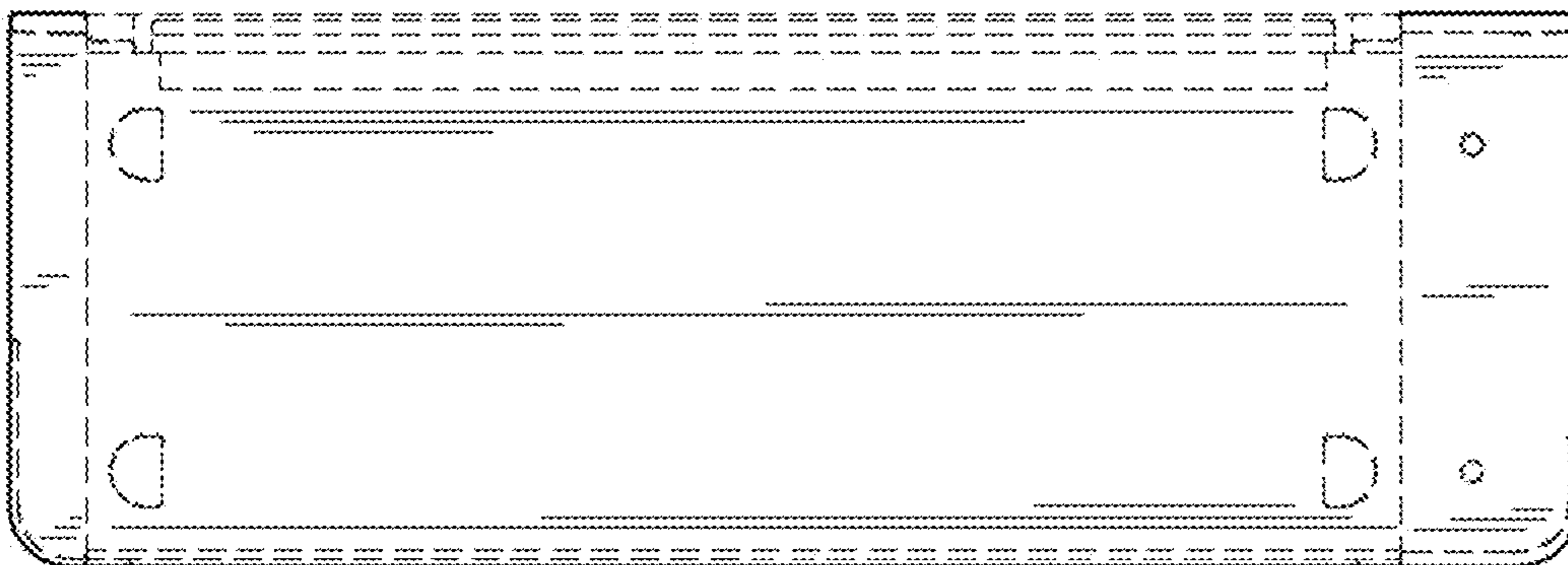


FIG. 7