



US00D780176S

(12) **United States Design Patent**
Kim et al.

(10) **Patent No.:** **US D780,176 S**
(45) **Date of Patent:** **** Feb. 28, 2017**

(54) **WEARABLE DEVICE**

(71) Applicant: **LG ELECTRONICS INC.**, Seoul
(KR)

(72) Inventors: **Byeongwook Kim**, Seoul (KR); **Hyon Kim**, Seoul (KR); **Youngho Kim**, Seoul (KR)

(73) Assignee: **LG ELECTRONICS INC.**, Seoul
(KR)

(**) Term: **14 Years**

(21) Appl. No.: **29/508,471**

(22) Filed: **Nov. 6, 2014**

(30) **Foreign Application Priority Data**

May 9, 2014 (KR) 30-2014-0023204

(51) **LOC (10) Cl.** **14-02**

(52) **U.S. Cl.**
USPC **D14/344; D11/5**

(58) **Field of Classification Search**
USPC D11/1-25; D14/344; D10/70, 98;
D24/167
CPC A44C 5/00; A44C 5/0007; A44C 5/0015;
A44C 5/0023; A44C 5/003; A44C
5/0038; A44C 5/0046; A44C 5/0053;
A44C 5/0061; A44C 5/0069; A44C
5/0076; A44C 5/0084; A44C 5/0092;
A44C 5/20; A61B 5/02405
See application file for complete search history.

(56) **References Cited**

U.S. PATENT DOCUMENTS

249,861 A * 11/1881 Unger A44C 5/0092
63/11
D237,816 S * 11/1975 Bulgari D11/27
D268,013 S * 2/1983 Stimmler D11/27

D310,050 S * 8/1990 Merritt D11/3
D334,900 S * 4/1993 Bulgari D11/5
D340,421 S * 10/1993 Bulgari D11/27
D635,299 S * 3/2011 Hsu D28/41
D653,149 S * 1/2012 Behar D11/5

(Continued)

OTHER PUBLICATIONS

[Online] http://eustore.jawbone.com/media/catalog/product/cache/1/small_image/400x240/17f82f742ffe127f42dca9de82fb58b1/u/p/up-blue-main_4.jpg. Retrieved Sep. 15, 2016.*

Primary Examiner — Melanie Pellegrini

(74) *Attorney, Agent, or Firm* — Birch, Stewart, Kolasch & Birch, LLP

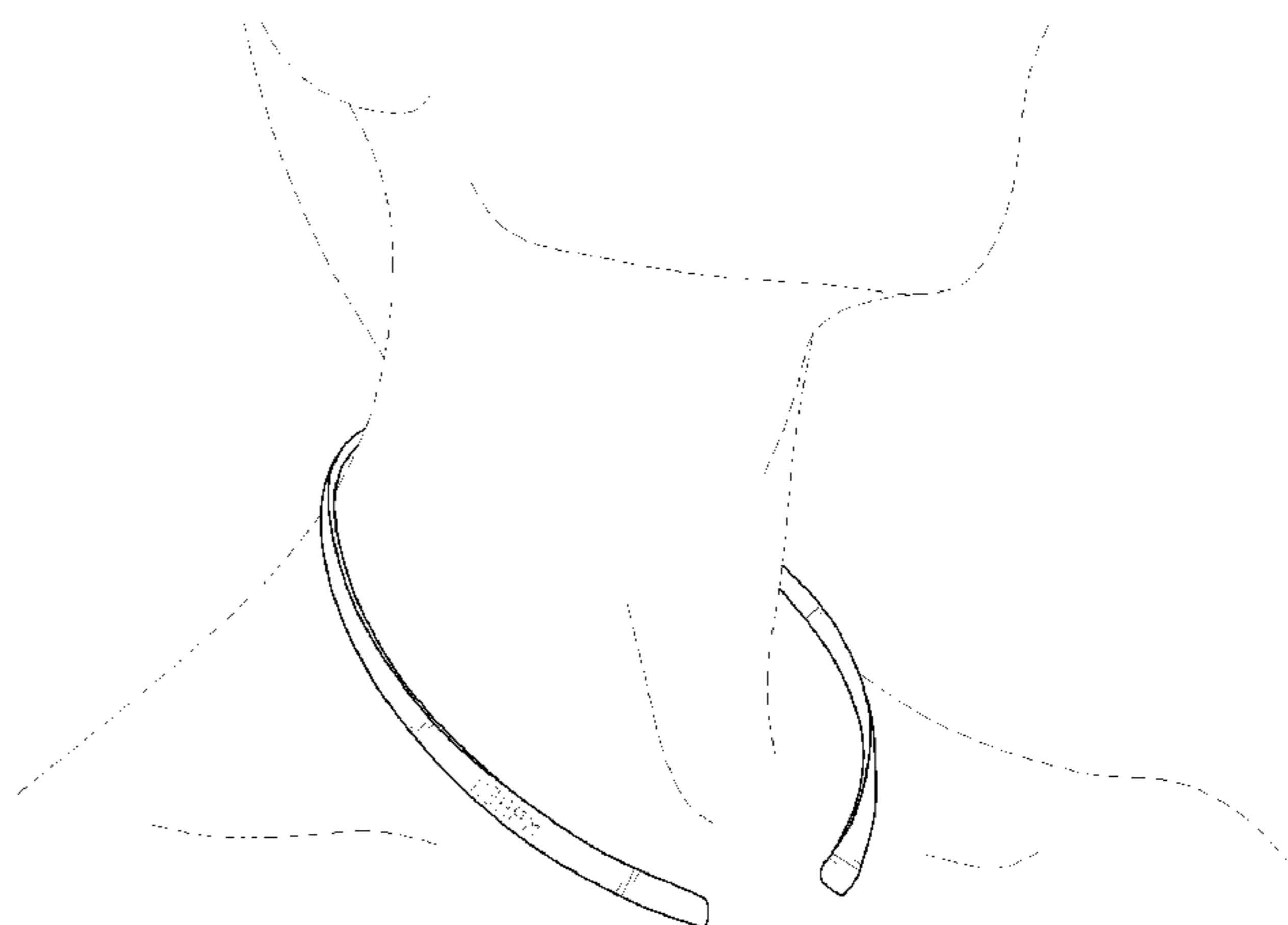
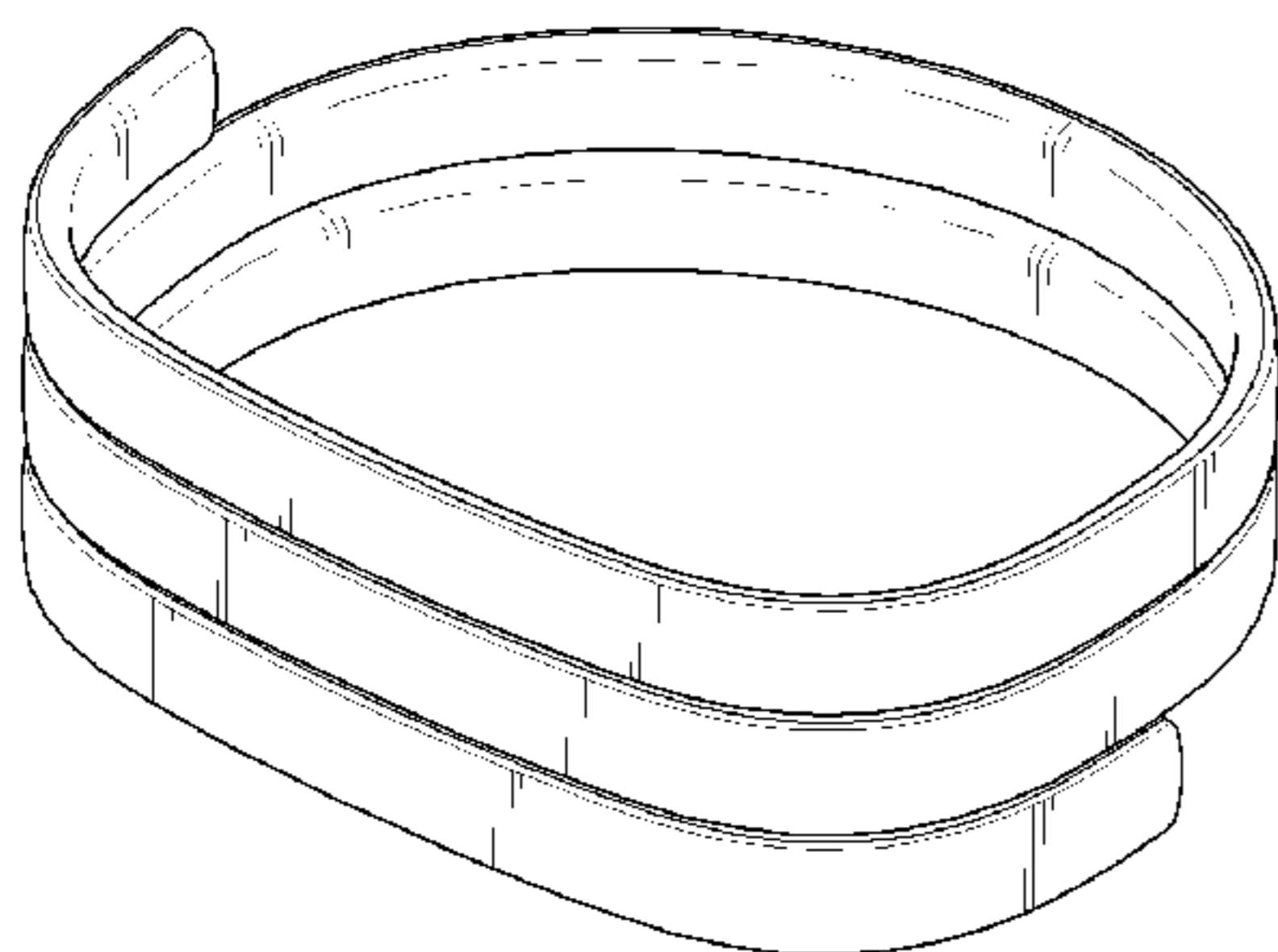
(57) **CLAIM**

The ornamental design for a wearable device, as shown and described.

DESCRIPTION

FIG. 1 is a perspective view of a wearable device showing our new design;
FIG. 2 is a front view thereof;
FIG. 3 is a rear view thereof;
FIG. 4 is a left side view thereof;
FIG. 5 is a right side view thereof;
FIG. 6 is a top plan view thereof;
FIG. 7 is a bottom plan view thereof;
FIG. 8 is a reference view thereof showing the state of operating; and,
FIG. 9 is a reference view showing an example of the usage of the subject design in which the subject design is unfolded and worn around the user's neck.
The broken lines in FIG. 9 showing a human figure represent environment and form no part of the claimed design. The remaining broken lines shown in FIGS. 8 and 9 represent portions of the wearable device which form no part of the claimed design.

1 Claim, 5 Drawing Sheets



(56)

References Cited

U.S. PATENT DOCUMENTS

D675,124 S *	1/2013	Rowland	D11/5
D707,148 S *	6/2014	Proud	D11/5
D707,149 S *	6/2014	Ovadia	D11/5
D732,994 S *	6/2015	Wentz	D11/5
2013/0064049 A1 *	3/2013	Pileri	A44C 5/0053 368/280

* cited by examiner

FIG. 1

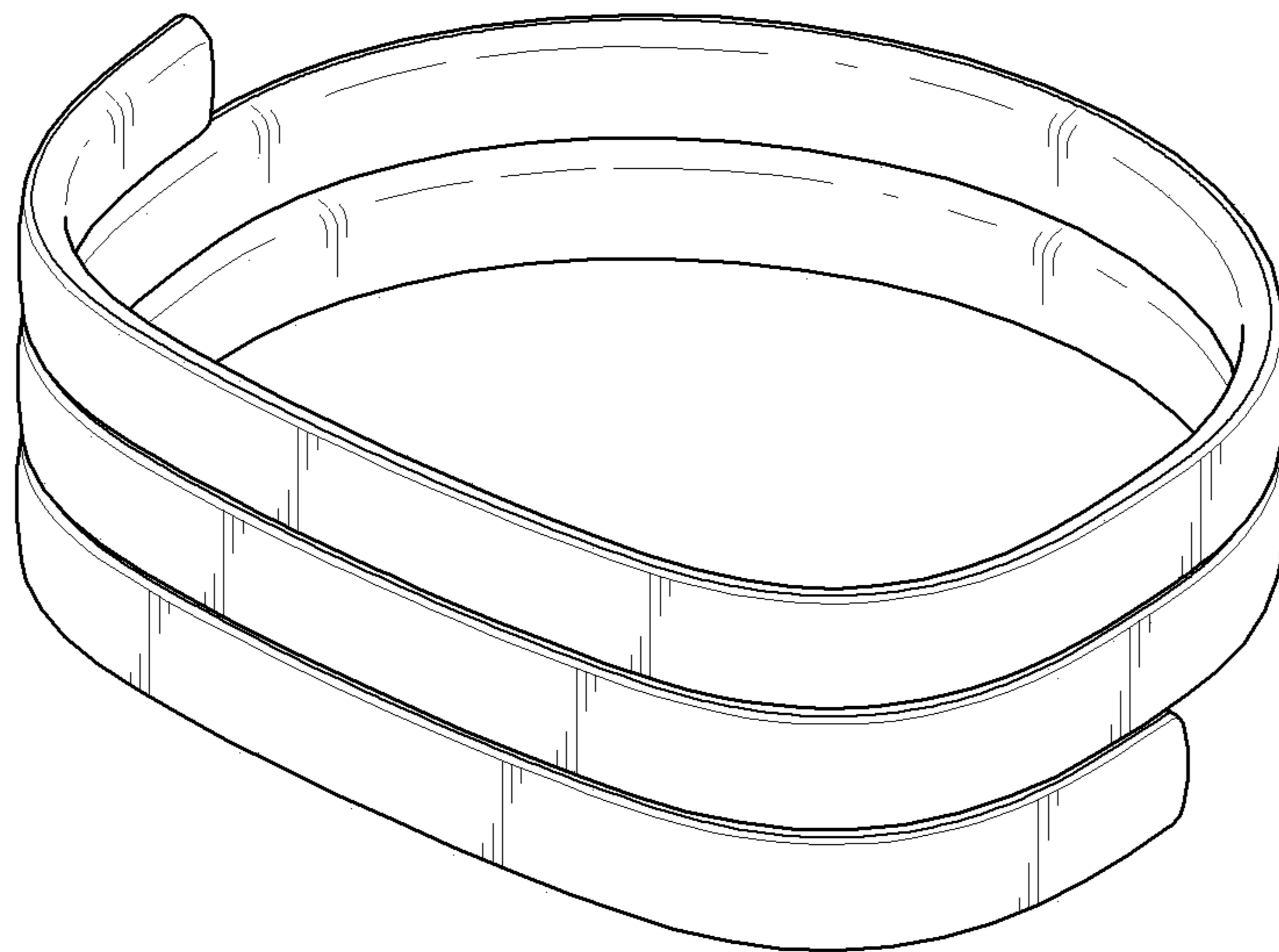


FIG. 2

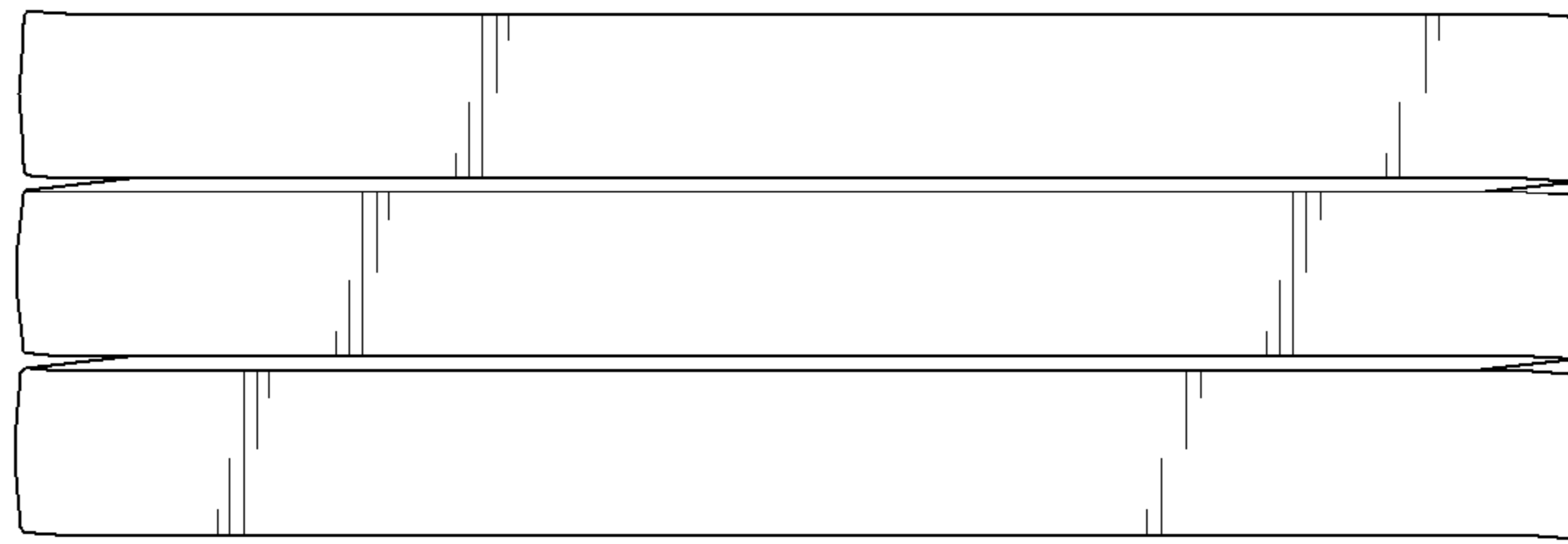


FIG. 3

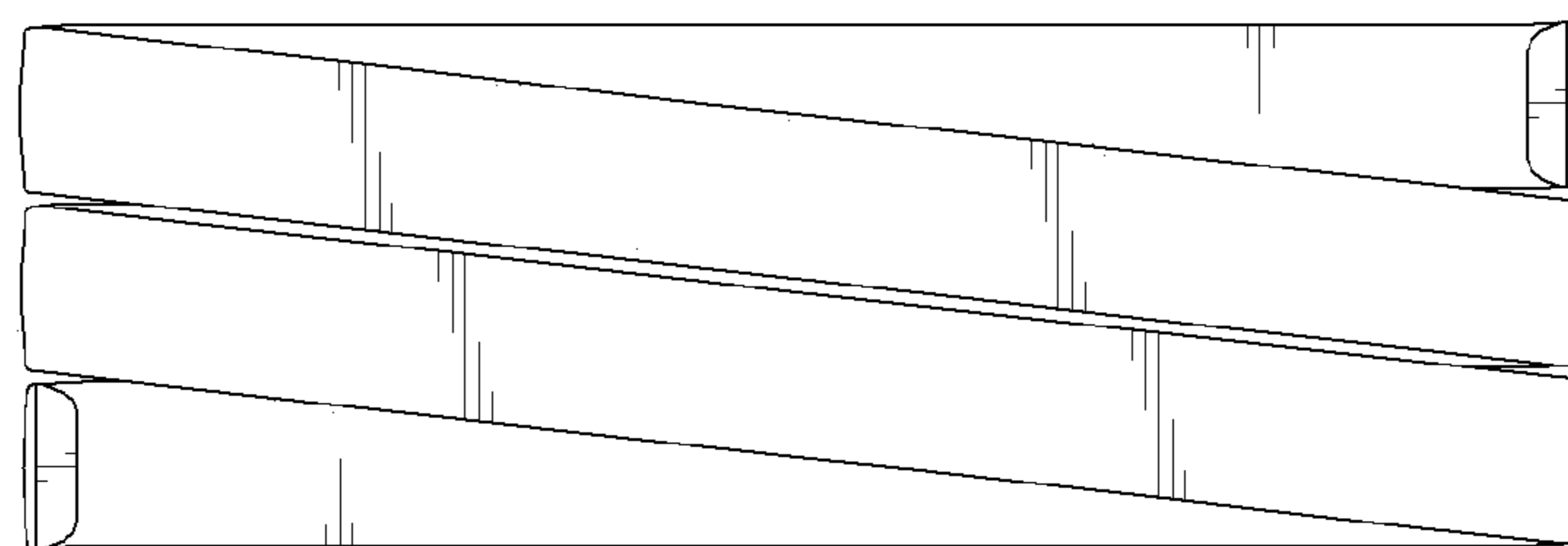


FIG. 4

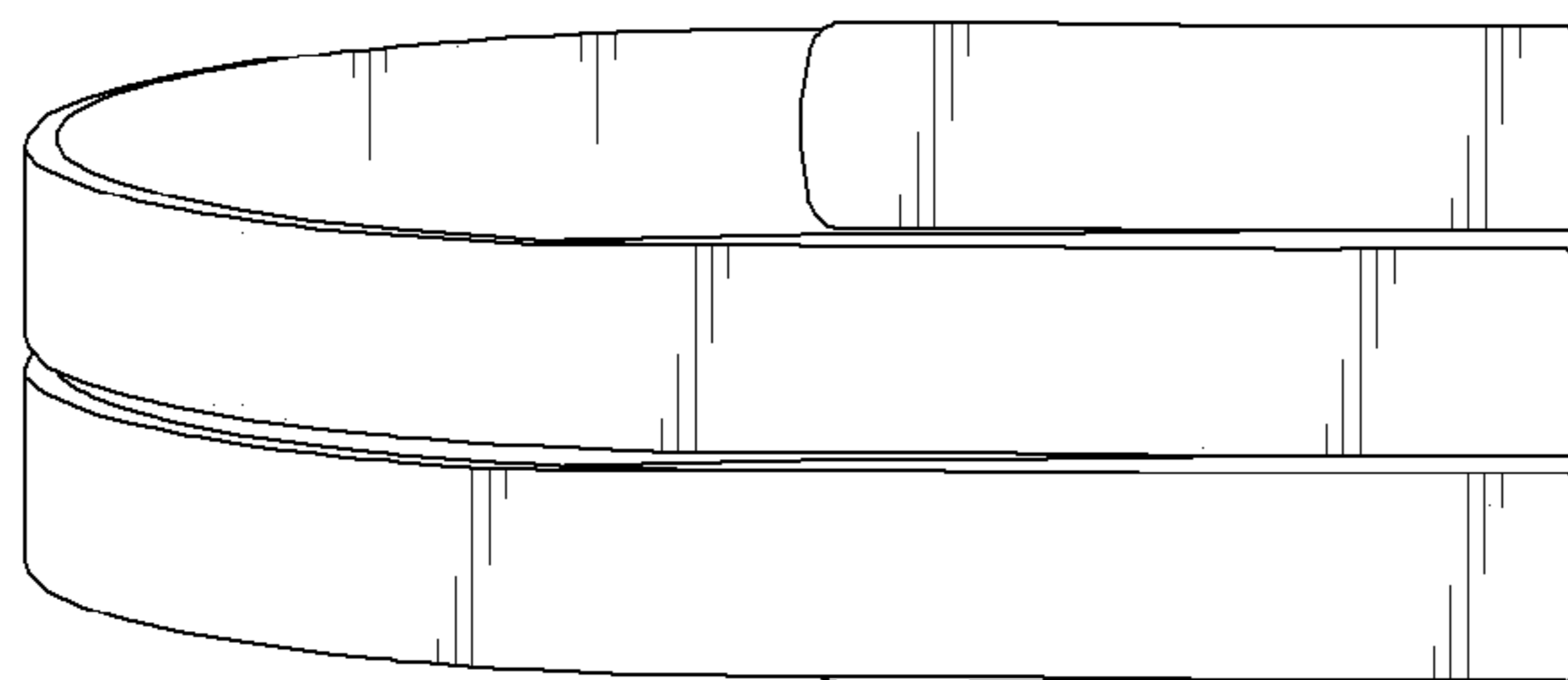


FIG. 5

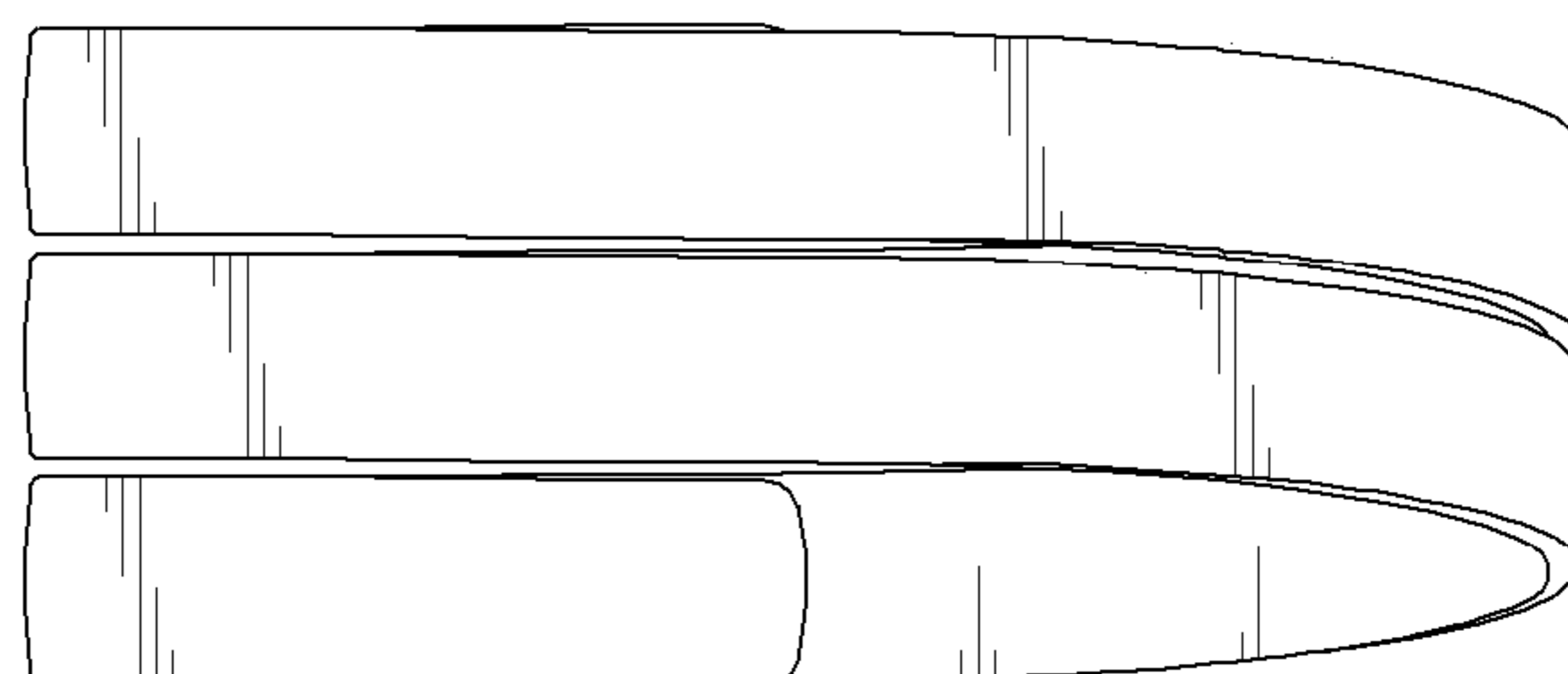


FIG. 6

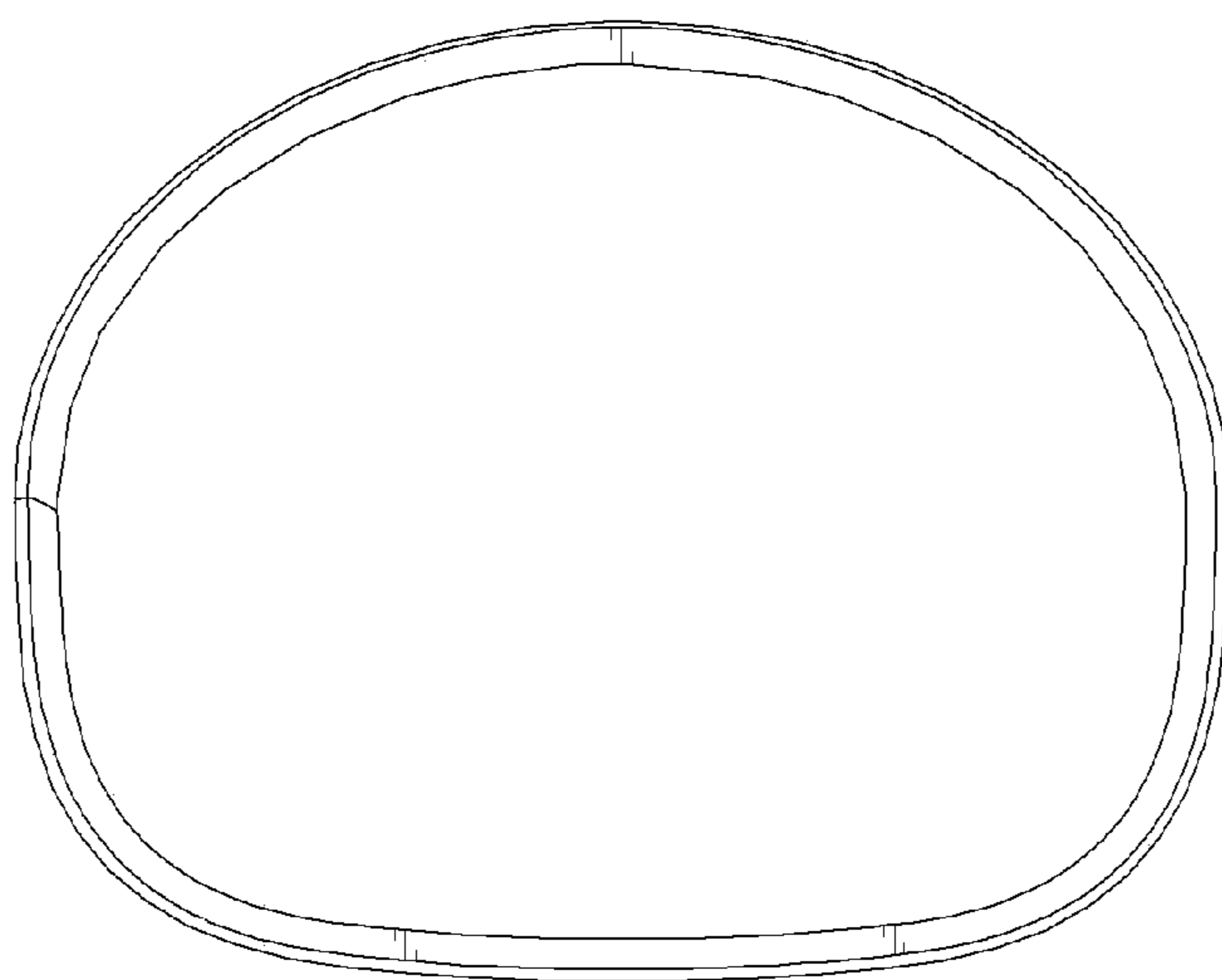


FIG. 7

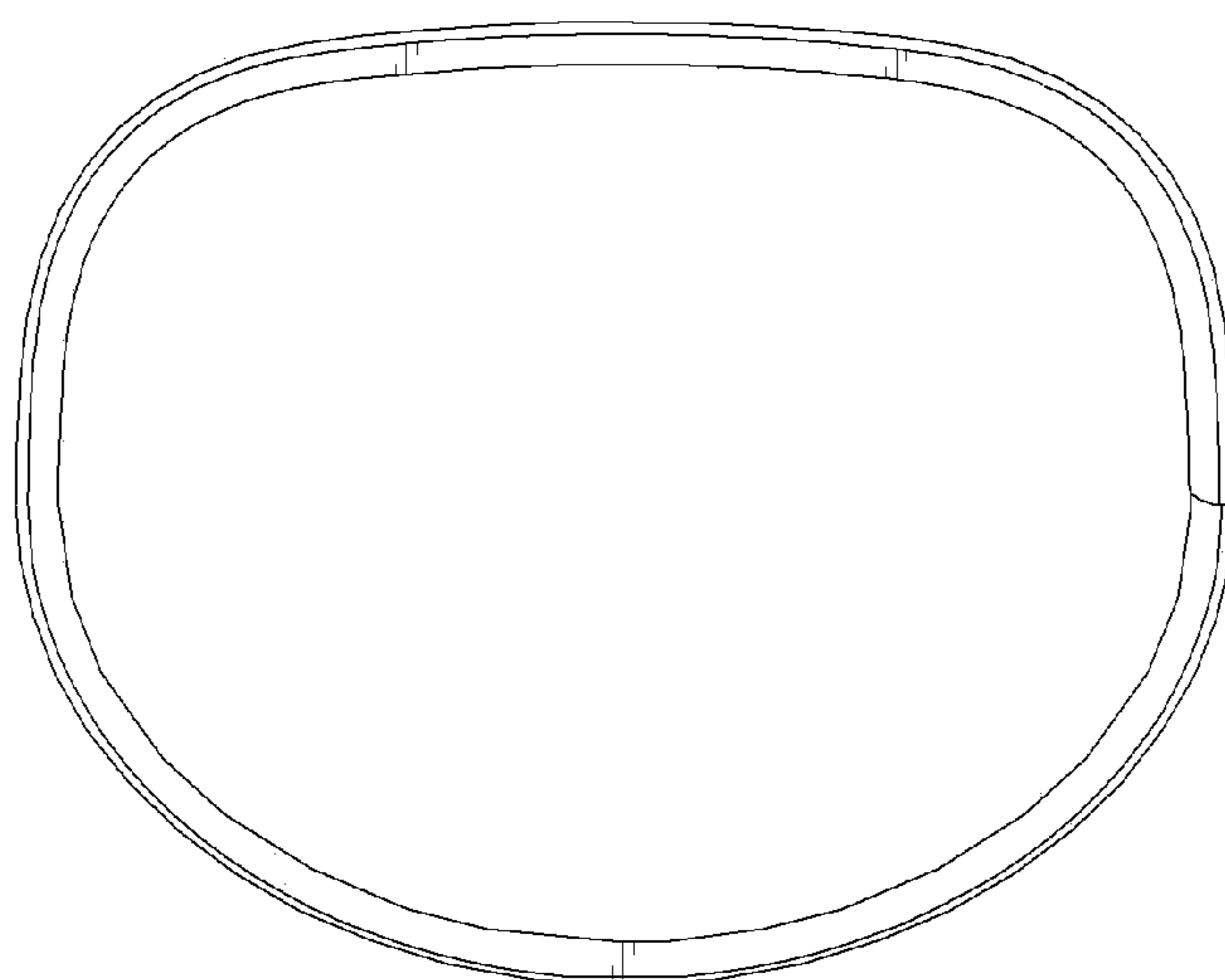


FIG. 8

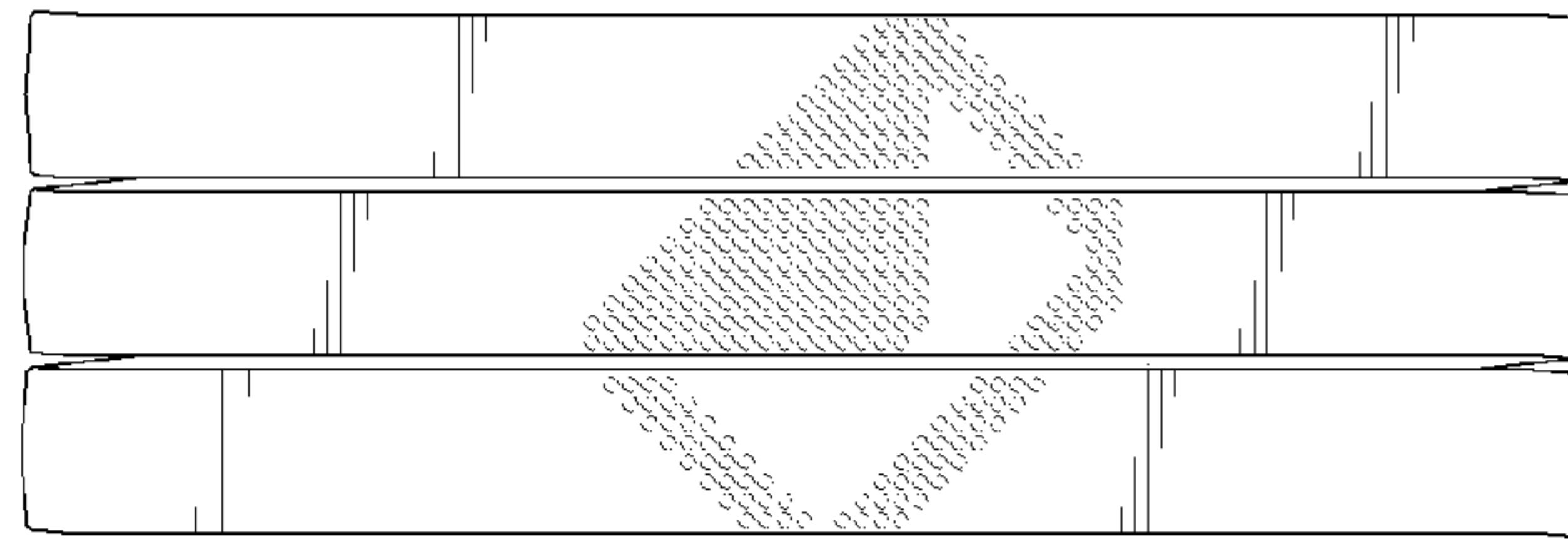


FIG. 9

