



US00D780170S

(12) **United States Design Patent** (10) **Patent No.:** **US D780,170 S**
Murakami (45) **Date of Patent:** **** Feb. 28, 2017**

(54) **AUDIO PLAYER**
(71) Applicant: **Sony Corporation**, Tokyo (JP)
(72) Inventor: **Tomonari Murakami**, Chiba (JP)
(73) Assignee: **Sony Corporation**, Tokyo (JP)
(**) Term: **14 Years**
(21) Appl. No.: **29/523,993**
(22) Filed: **Apr. 15, 2015**

D581,919 S * 12/2008 Kim D14/257
D586,328 S * 2/2009 Ganley D14/188
D604,265 S * 11/2009 Smith D14/188
D630,625 S * 1/2011 Boudreau D14/257
D643,838 S * 8/2011 Miyawaki D14/258
D658,153 S * 4/2012 Woo D14/188

FOREIGN PATENT DOCUMENTS

JP D1265142 S 3/2006
JP D1265267 S 3/2006
JP D1363247 S 6/2009
JP D1394950 S 8/2010

(Continued)

Primary Examiner — Sandra Morris

(74) *Attorney, Agent, or Firm* — Michael Best and Friedrich LLP

(30) **Foreign Application Priority Data**

Dec. 12, 2014 (CN) 2014 3 0521397

(51) **LOC (10) Cl.** **14-03**

(52) **U.S. Cl.**
USPC **D14/258**

(58) **Field of Classification Search**
USPC D12/192, 195, 415, 420; D14/496,
D14/498–506, 154, 157, 168–171,
D14/188–198, 218, 257–258; 248/27.1,
248/27.3, 558; 455/347, 350
CPC B60R 11/02; B60K 37/04; B60K 37/06;
H04B 1/08; H04B 1/082
See application file for complete search history.

(56) **References Cited**

U.S. PATENT DOCUMENTS

D414,769 S 10/1999 Shintani et al.
D416,898 S 11/1999 Takahashi
D427,992 S 7/2000 Takahashi et al.
D487,436 S 3/2004 Miyazaki
D502,696 S 3/2005 Ishibashi
D537,435 S 2/2007 Oikawa
D538,255 S 3/2007 Matsu
D557,694 S * 12/2007 Bey D14/257
D571,782 S * 6/2008 Moldauer D14/188

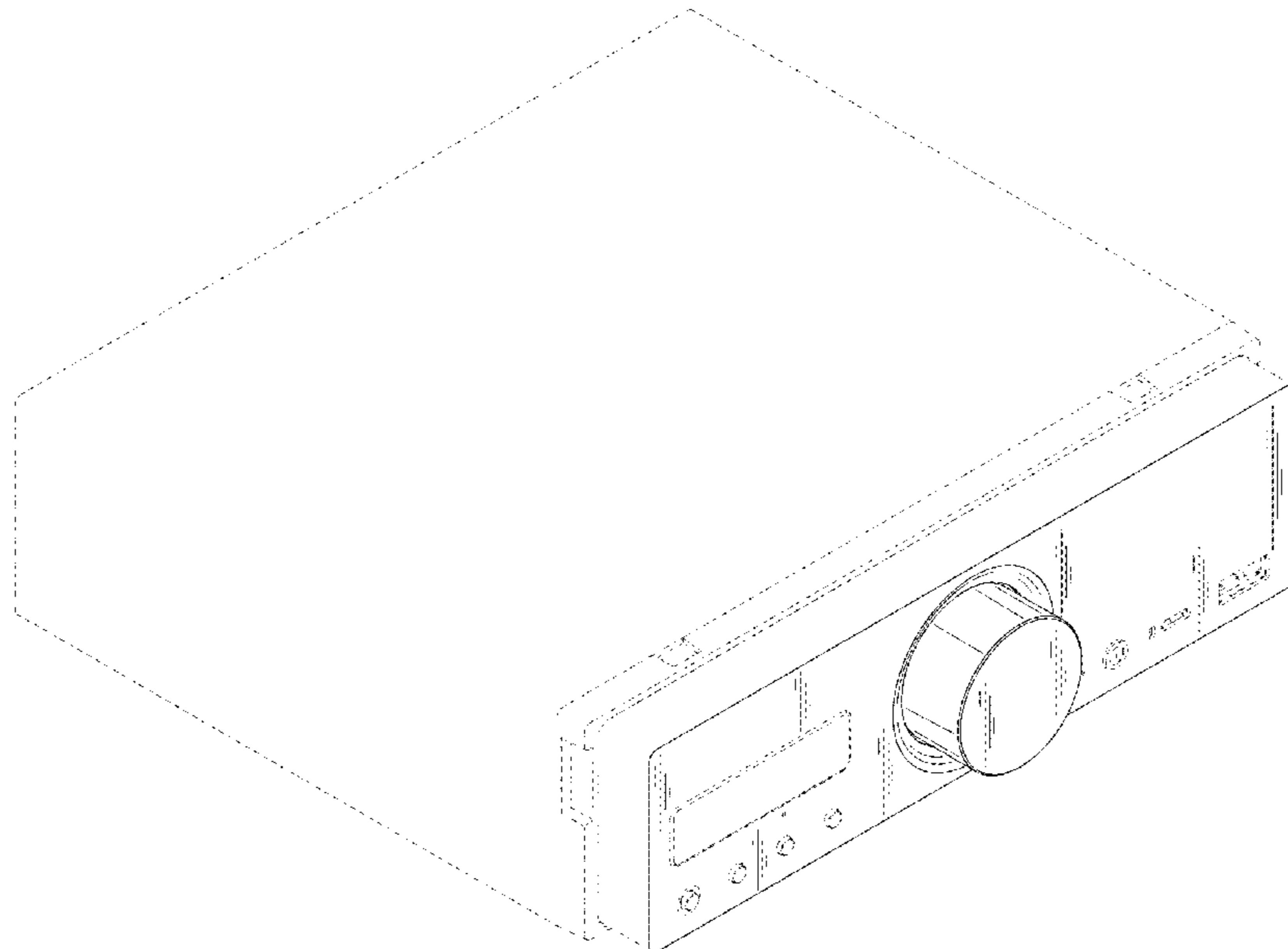
(57) **CLAIM**

The ornamental design for an audio player, as shown and described.

DESCRIPTION

FIG. 1 is a perspective view of a first embodiment of an audio player showing my new design;
FIG. 2 is a front elevational view thereof;
FIG. 3 is a left side elevational view thereof;
FIG. 4 is a right side elevational view thereof;
FIG. 5 is a top plan view thereof; and
FIG. 6 is a bottom plan view thereof.
FIG. 7 is a perspective view of a second embodiment of an audio player showing my new design;
FIG. 8 is a front elevational view thereof;
FIG. 9 is a left side elevational view thereof;
FIG. 10 is a right side elevational view thereof;
FIG. 11 is a top plan view thereof; and,
FIG. 12 is a bottom plan view thereof.
Broken lines illustrate unclaimed portions of the audio player and form no part of the claimed design.

1 Claim, 12 Drawing Sheets



(56)

References Cited

FOREIGN PATENT DOCUMENTS

JP	D1408407 S	5/2011
JP	D1419392 S	7/2011
JP	D1419609 S	7/2011

* cited by examiner

FIG.1

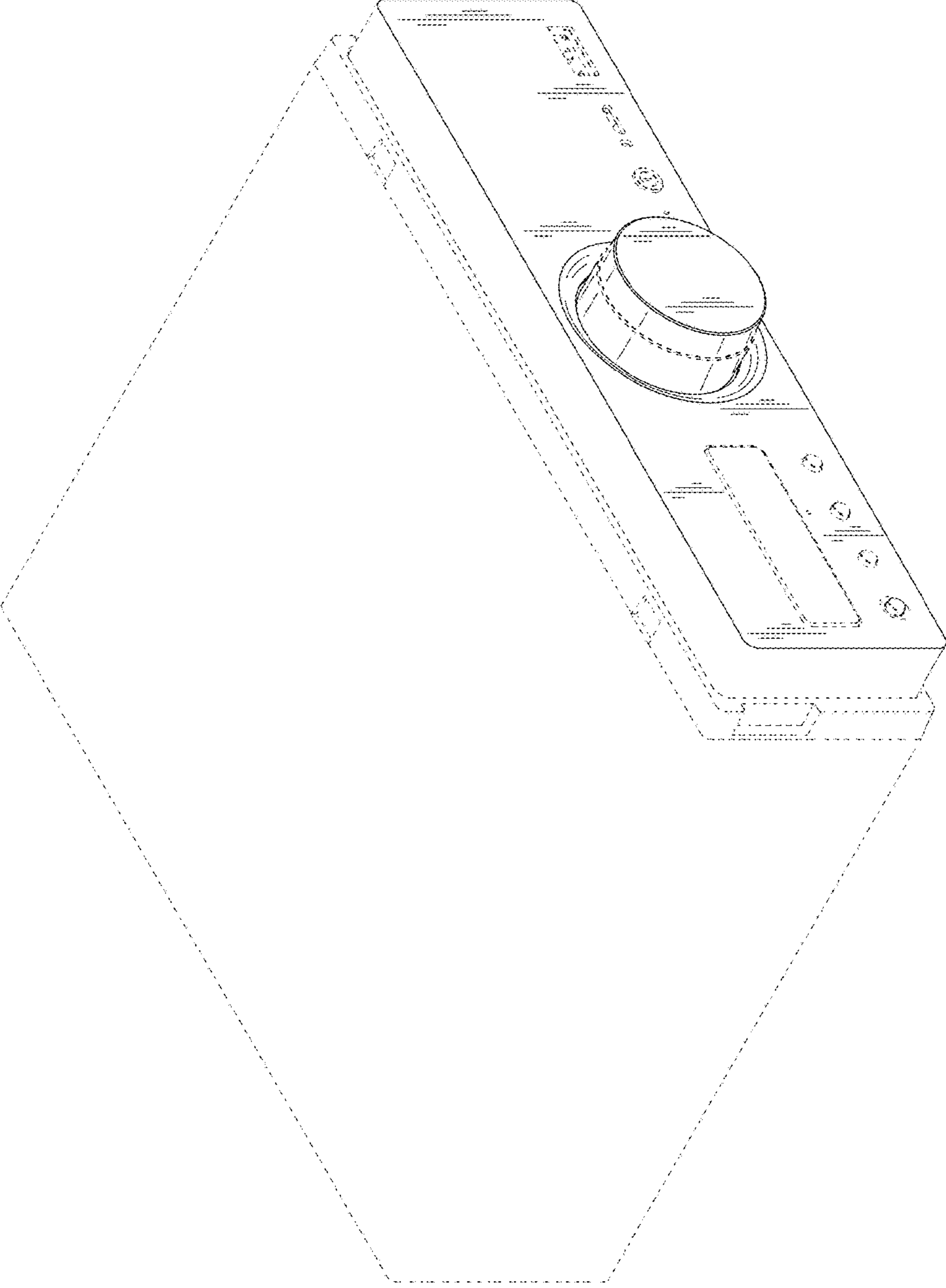


FIG.2

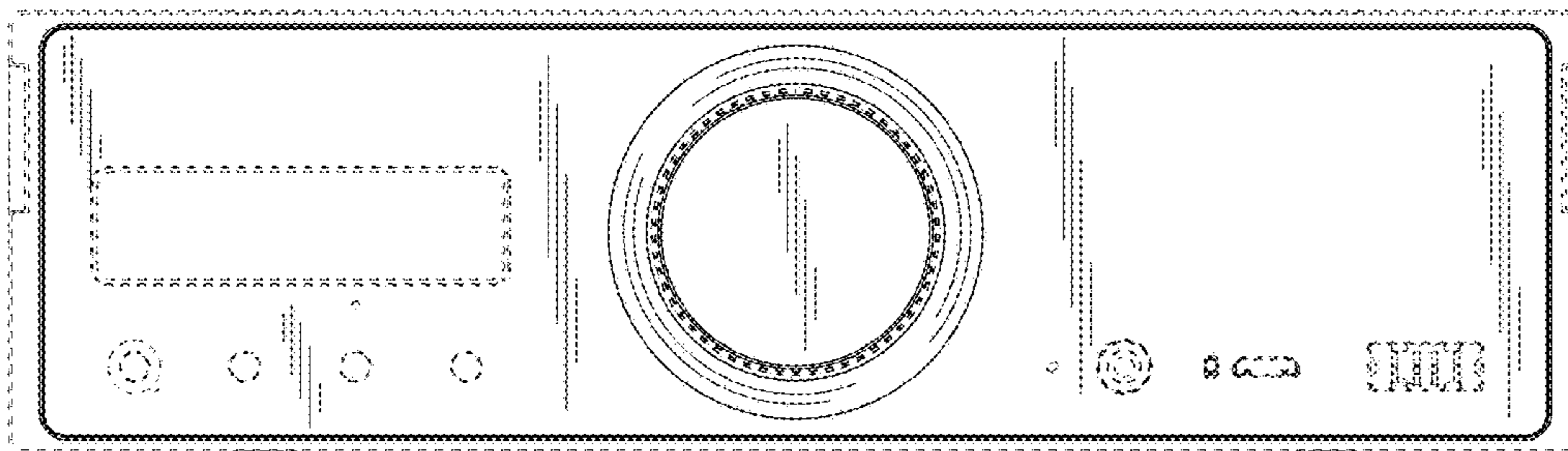


FIG.3



FIG.4



FIG.5

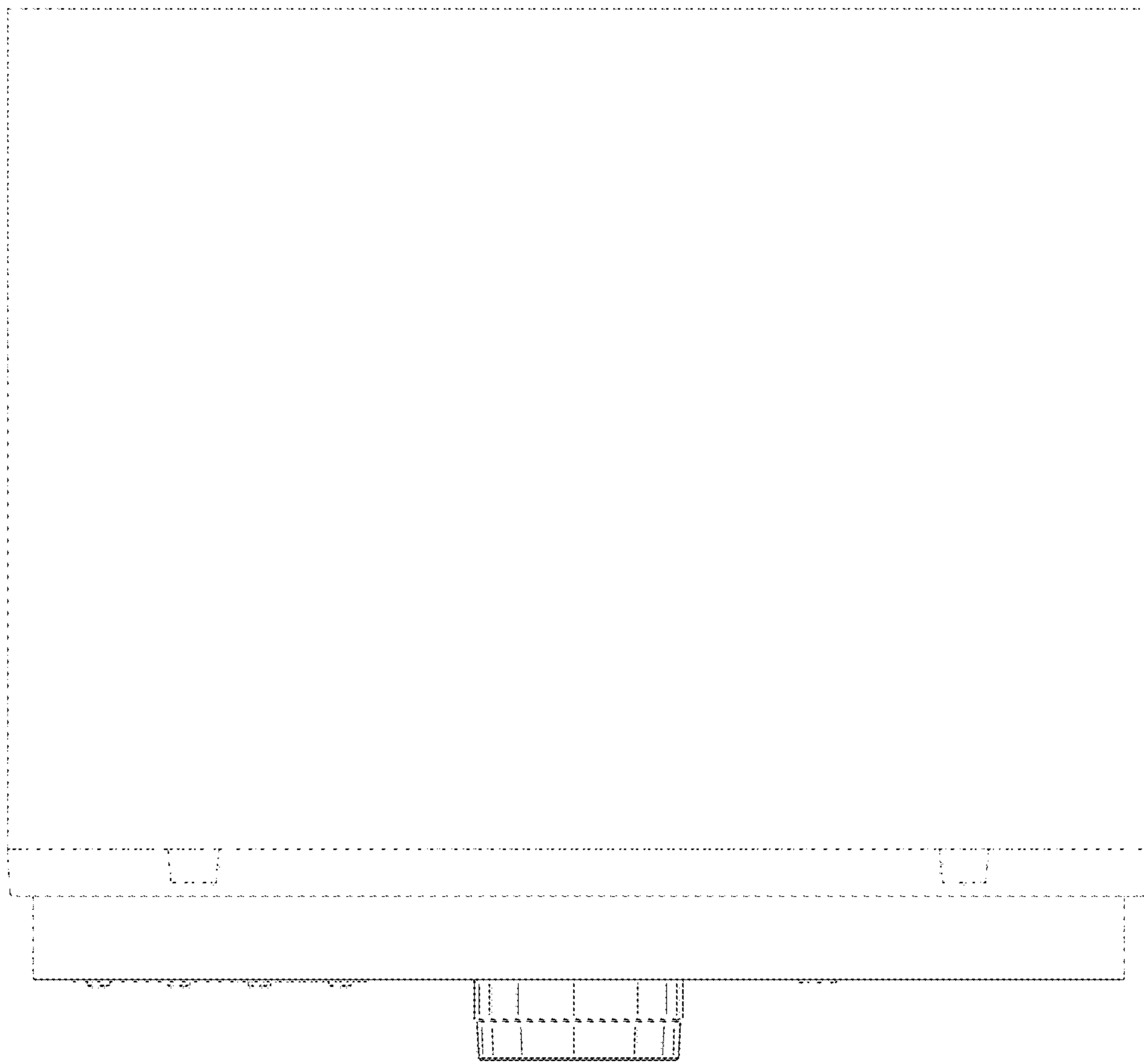


FIG.6

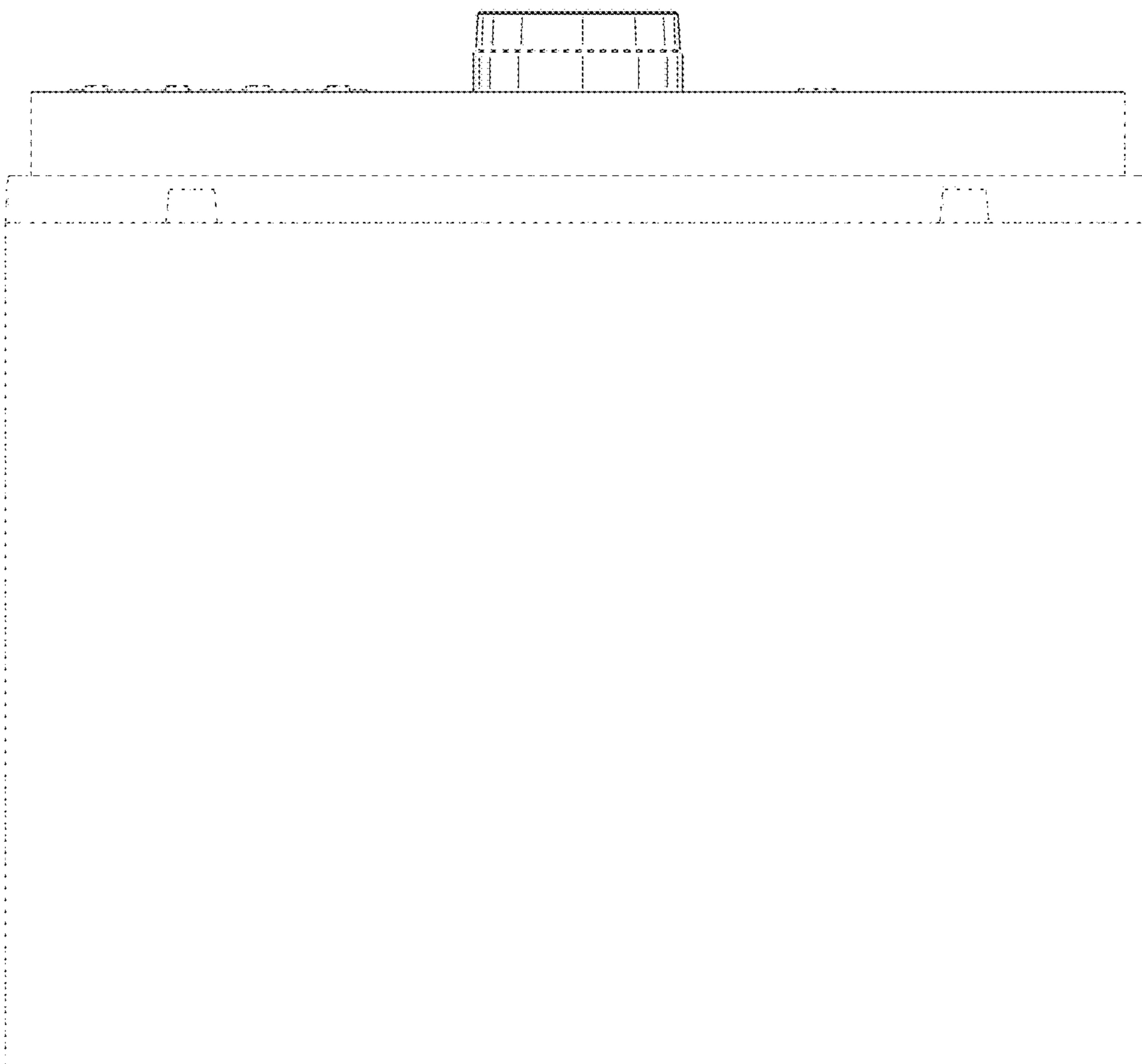


FIG.7

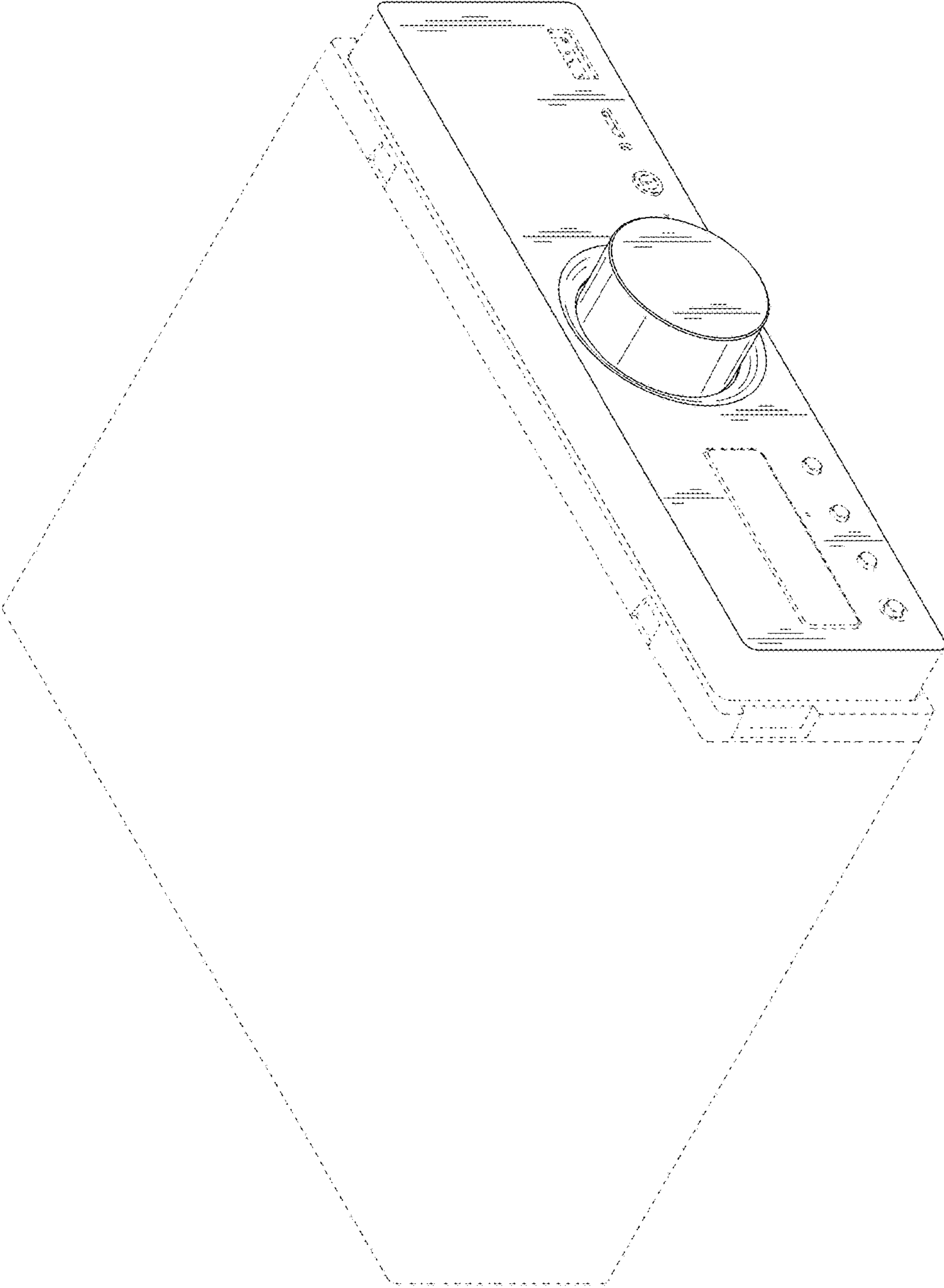


FIG.8

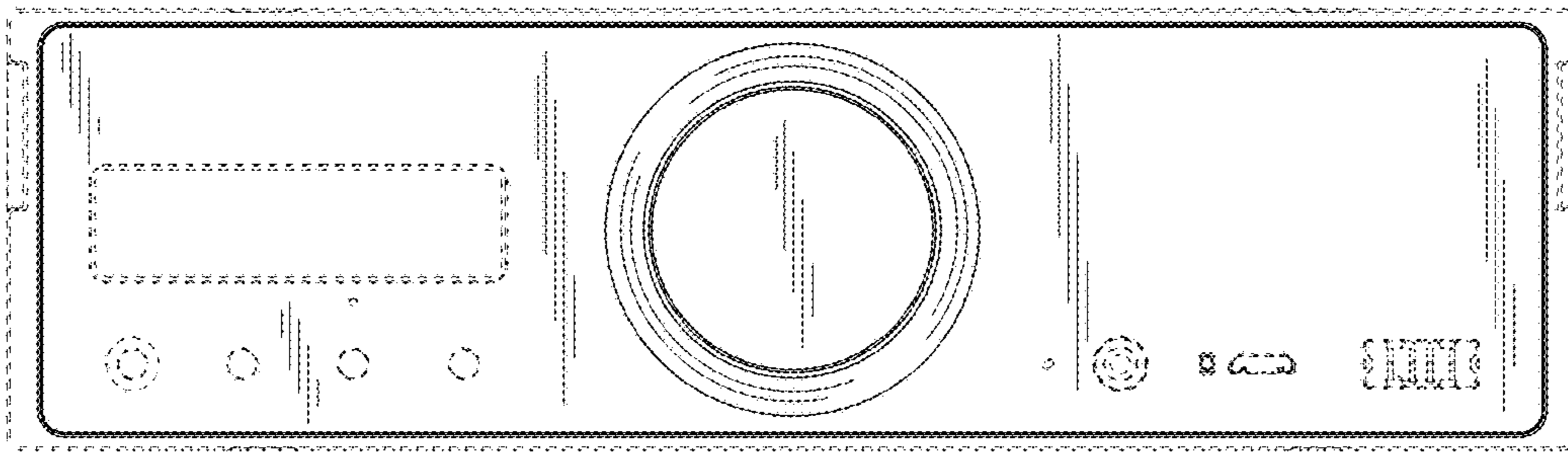


FIG.9



FIG.10



FIG.11

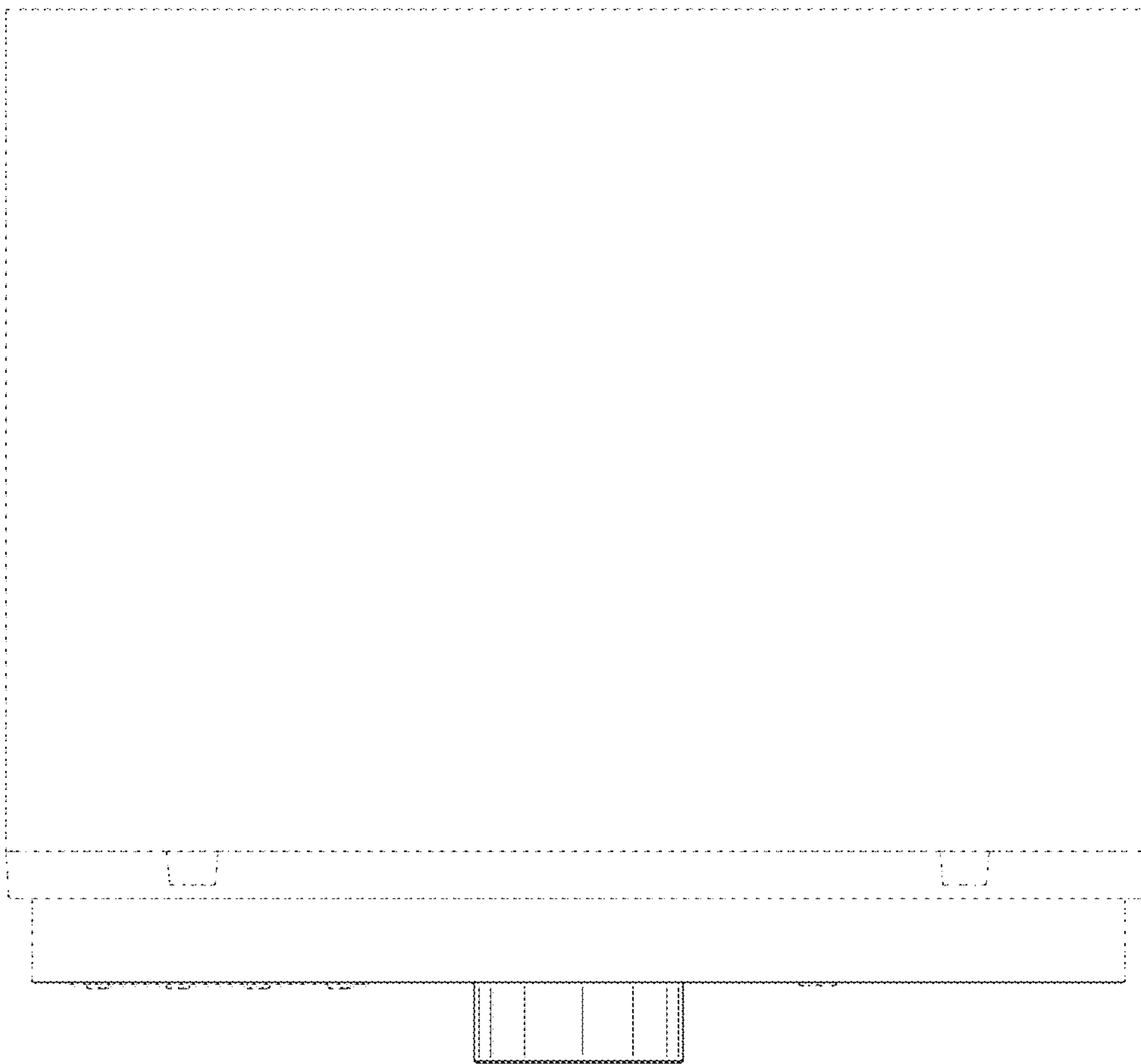


FIG.12

