



US00D780169S

(12) **United States Design Patent**
Du

(10) **Patent No.:** **US D780,169 S**

(45) **Date of Patent:** **** Feb. 28, 2017**

(54) **MOBILE PHONE BRACKET**

7/022; B62J 11/00; H05K 7/00; G03B
17/56

(71) Applicant: **Pengcheng Du**, Shanxi Province (CN)

See application file for complete search history.

(72) Inventor: **Pengcheng Du**, Shanxi Province (CN)

(56) **References Cited**

(**) Term: **15 Years**

U.S. PATENT DOCUMENTS

(21) Appl. No.: **29/547,773**

D716,215 S * 10/2014 Dunn D12/415

D750,633 S * 3/2016 Minn D14/447

D767,556 S * 9/2016 Lee D12/415

D769,860 S * 10/2016 Xiao D14/253

2014/0138419 A1 * 5/2014 Minn B60R 11/0241
224/567

(22) Filed: **Dec. 8, 2015**

(30) **Foreign Application Priority Data**

Jun. 10, 2015 (CN) 2015 3 0187395

* cited by examiner

(51) **LOC (10) Cl.** **14-03**

Primary Examiner — Susan Bennett Hattan

(52) **U.S. Cl.**

Assistant Examiner — Janice Hallmark

USPC **D14/253**

(58) **Field of Classification Search**

(57) **CLAIM**

USPC D14/253, 251, 252, 447, 451, 452, 440,
D14/434, 458, 432, 439, 457, 460, 238.1,
D14/140, 142, 149, 217, 148, 140.8,
D14/140.11, 209.1, 151, 140.9, 250, 238;
D13/107, 108; D12/415, 223, 114, 420,
D12/417, 407, 177; D3/218;
D16/242-245, 250, 237, 203, 214,
D16/219; D8/349; D6/675, 672, 673,
D6/675.4, 553, 676, 310, 406.3, 406.4,
D6/406.5, 406.6, 407, 567, 300, 682.3;
248/459, 460; 224/483

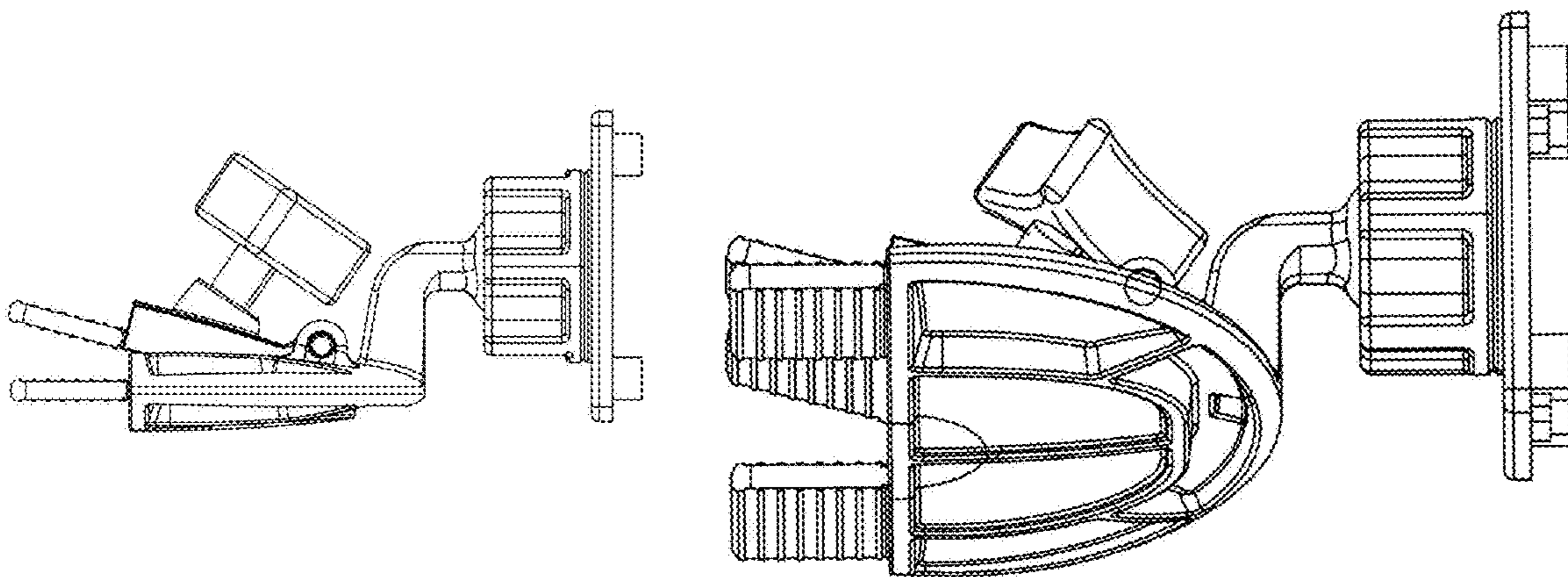
The ornamental design for a mobile phone bracket, as shown.

CPC B60R 2011/0008; B60R 11/02; B60R
11/0241; B60R 11/0258; B60R 11/0252;
B60R 2011/0294; F16M 11/00; F16M
11/04; F16M 11/041; F16M 11/02; F16M
11/06; F16M 13/00; H04M 1/02; H04M
1/04; H04M 1/11; H04M 1/12; A47F

DESCRIPTION

FIG. 1 is a front elevational view of a mobile phone bracket showing my new design;
FIG. 2 is a rear elevational view thereof;
FIG. 3 is a left side view thereof;
FIG. 4 is a right side view thereof;
FIG. 5 is a top plan view thereof;
FIG. 6 is a bottom plan view thereof; and,
FIG. 7 is a perspective view thereof.

1 Claim, 4 Drawing Sheets



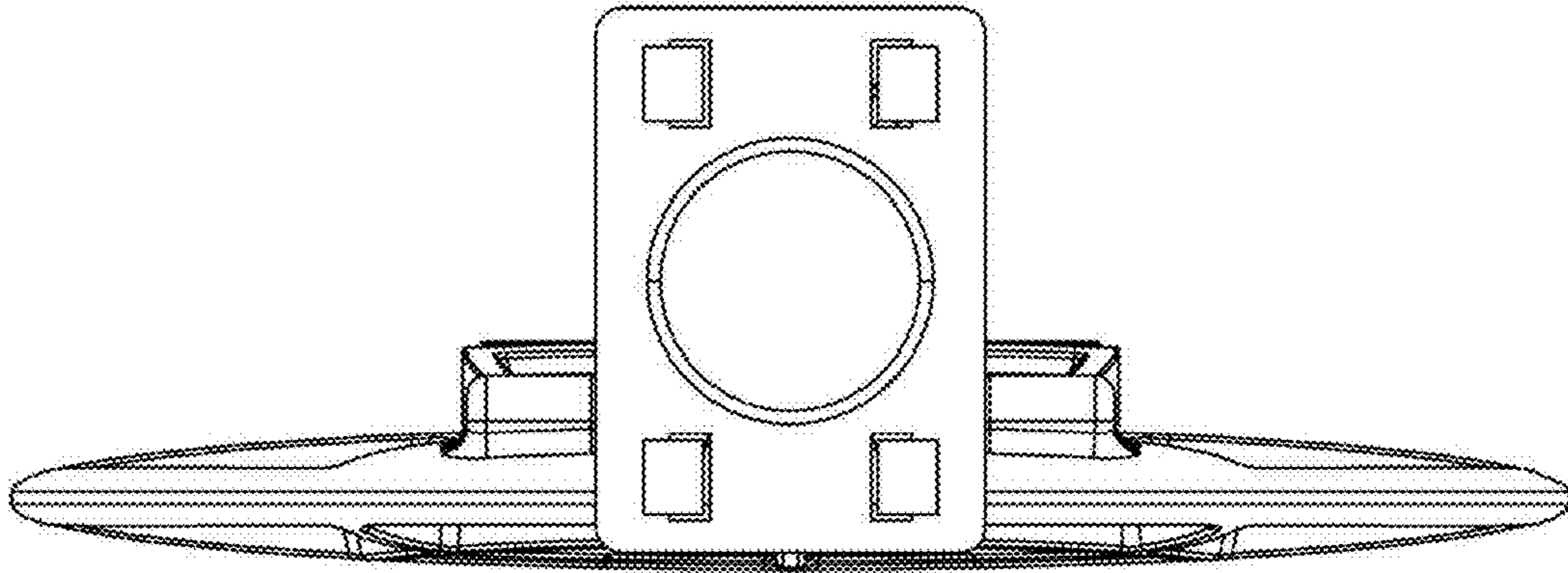


FIG. 1

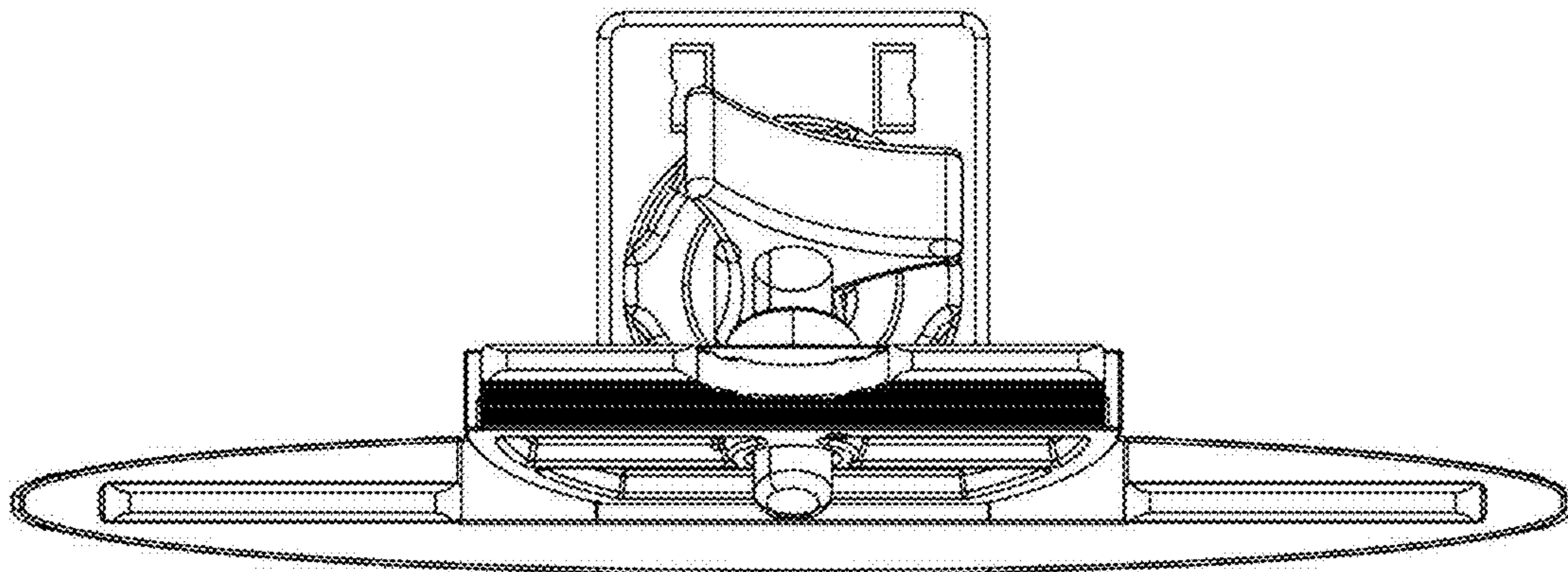


FIG. 2

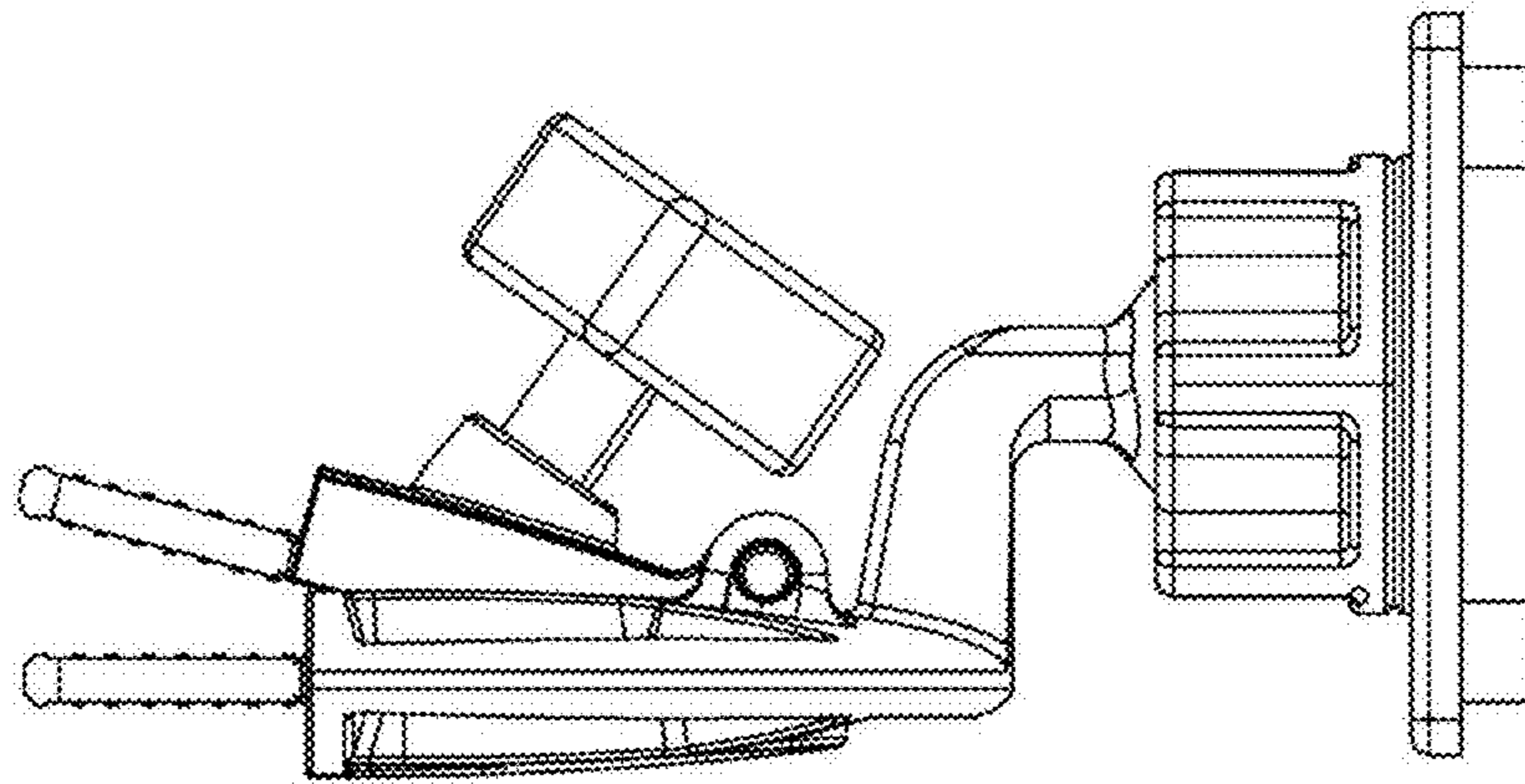


FIG. 3

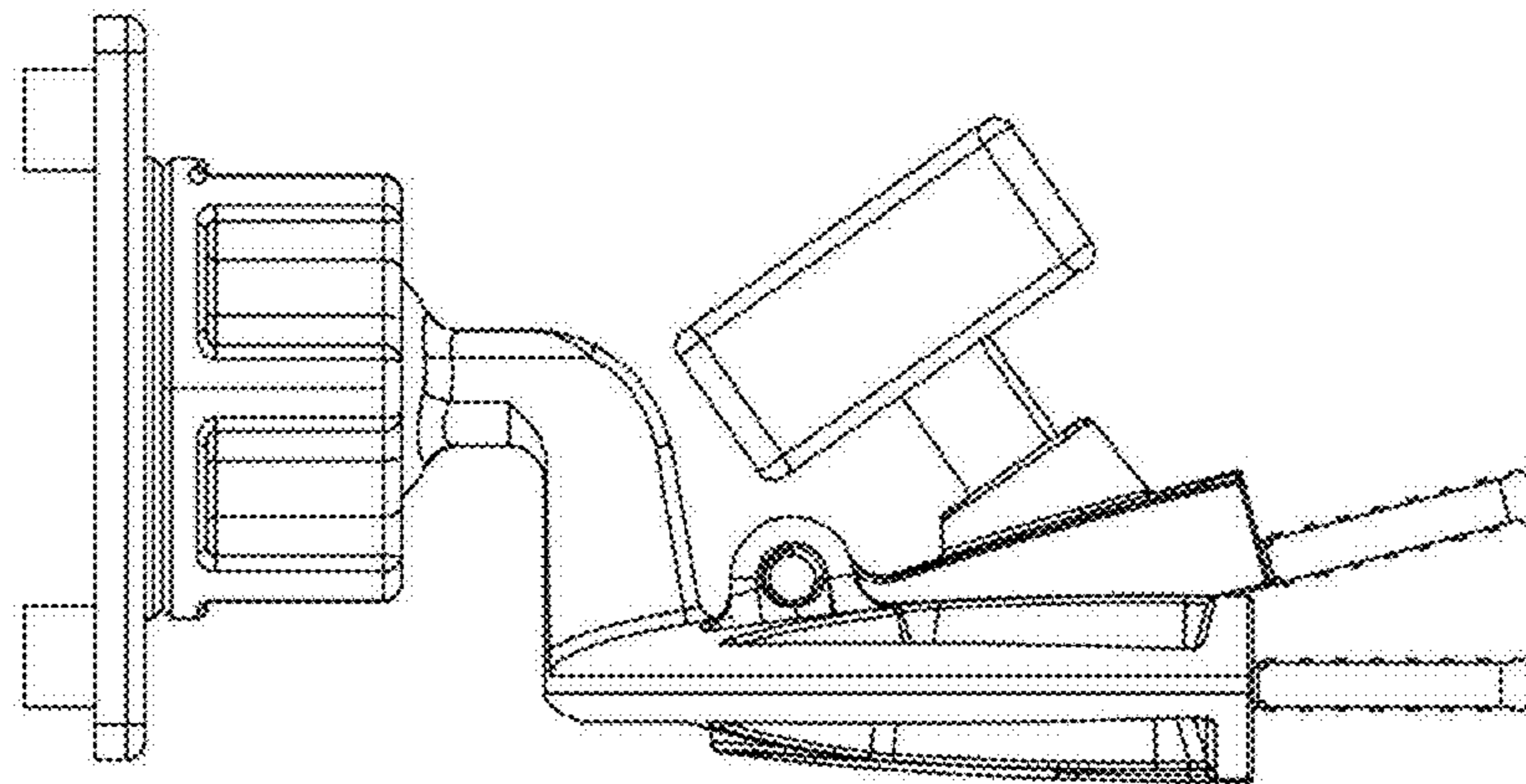


FIG. 4

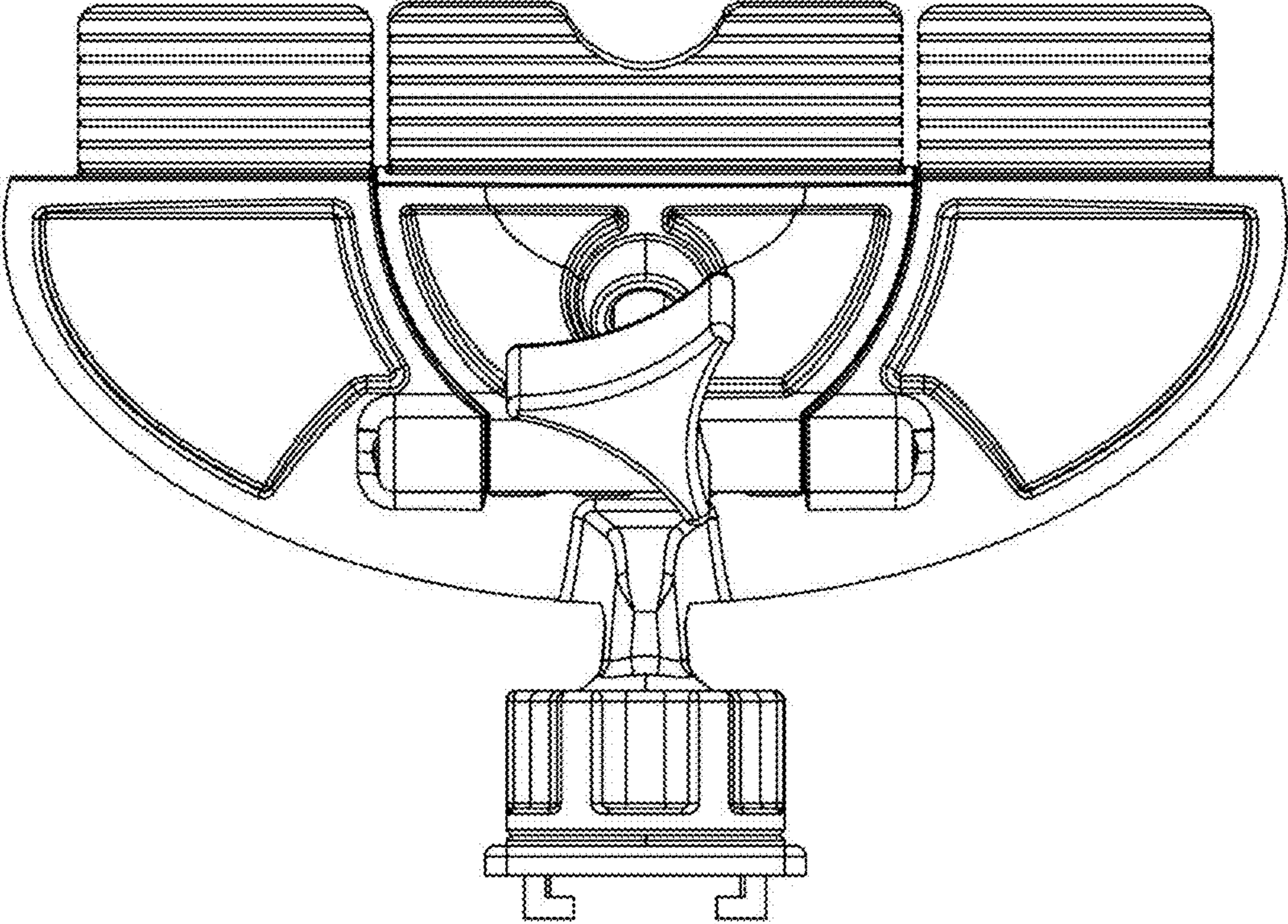


FIG. 5

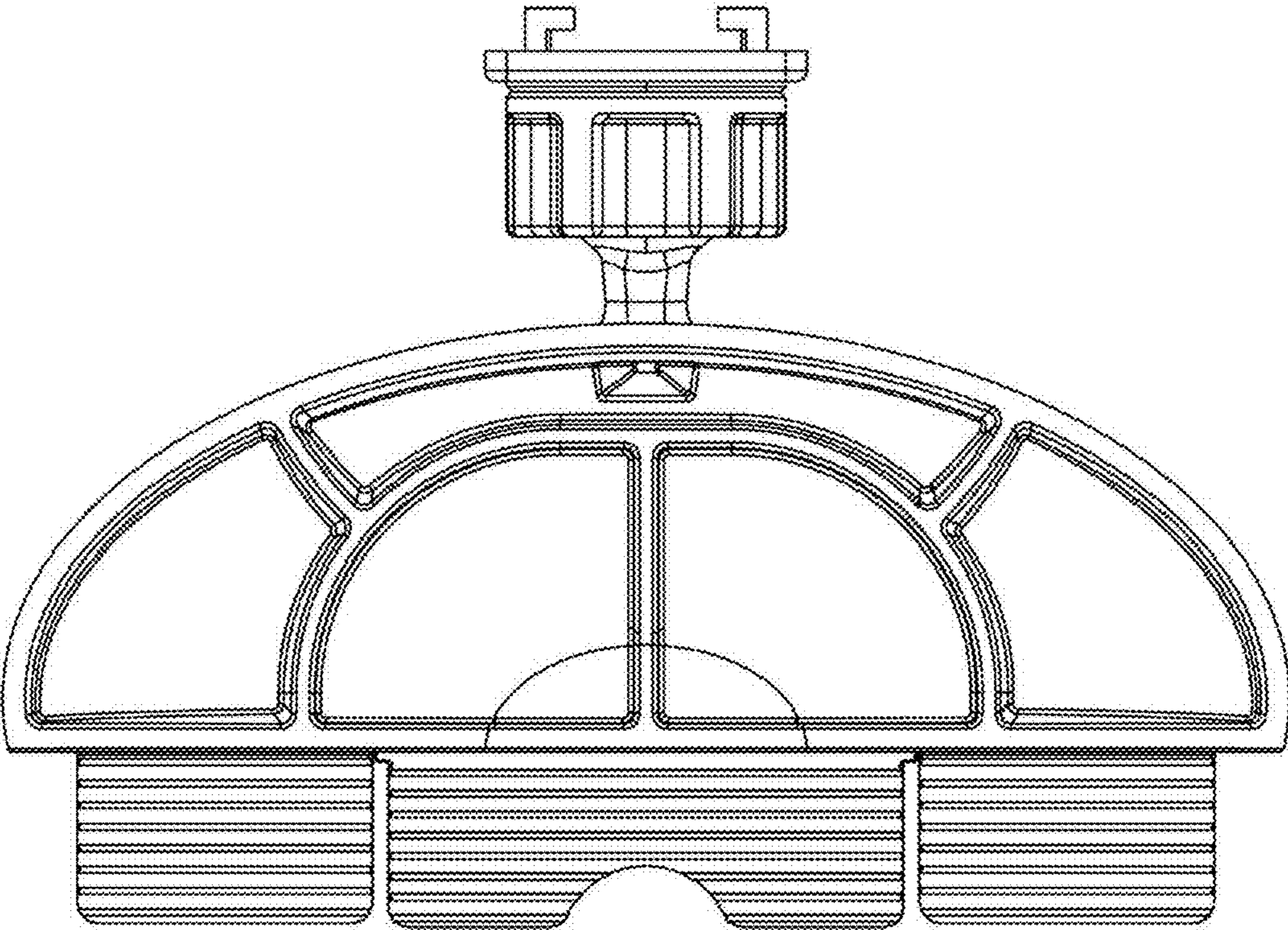


FIG. 6

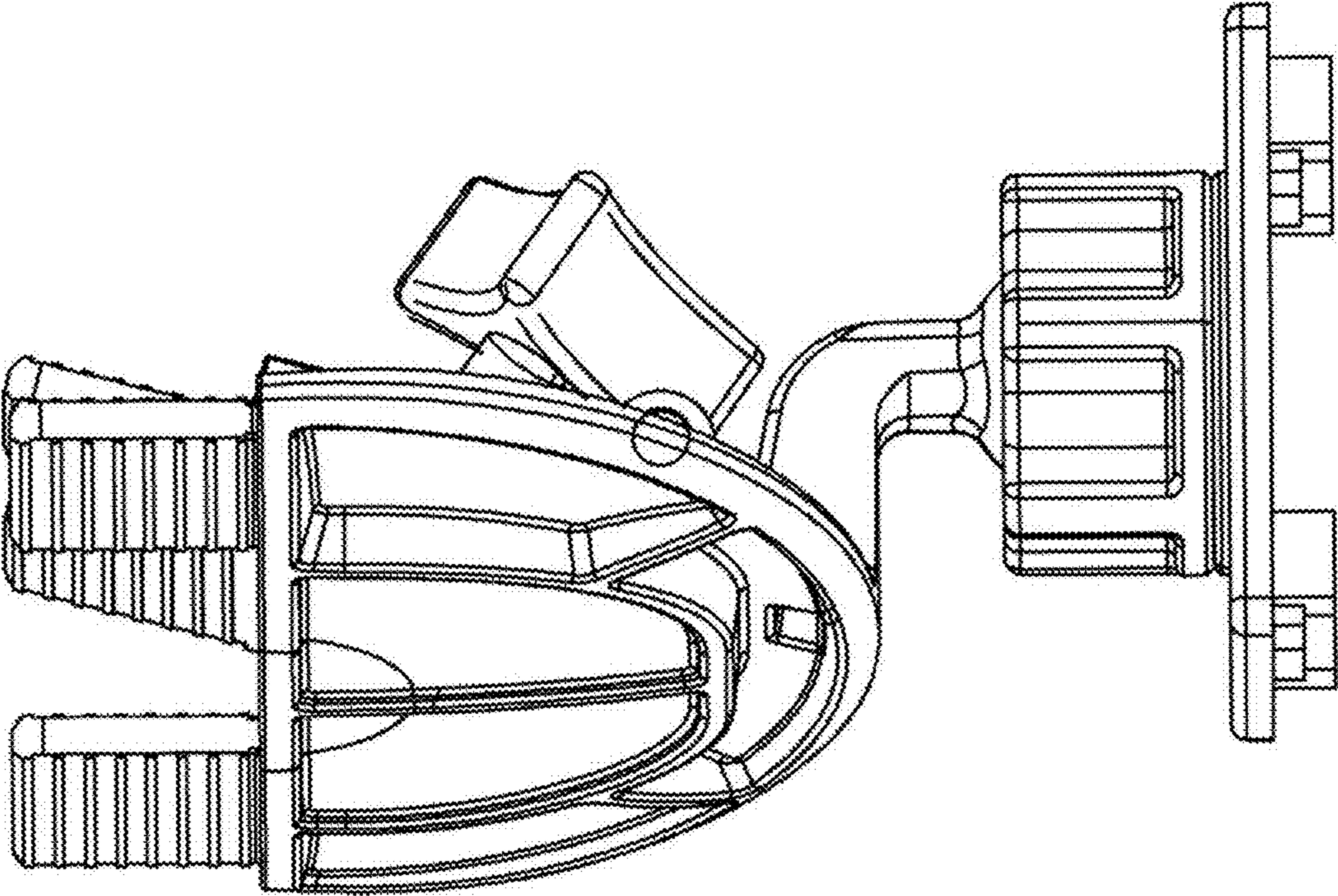


FIG. 7