



US00D780168S

(12) **United States Design Patent** (10) **Patent No.:** **US D780,168 S**  
**Du** (45) **Date of Patent:** **\*\* Feb. 28, 2017**

(54) **MOBILE PHONE BRACKET**

(56) **References Cited**

(71) Applicant: **Pengcheng Du**, Shanxi Province (CN)

U.S. PATENT DOCUMENTS

(72) Inventor: **Pengcheng Du**, Shanxi Province (CN)

D690,707 S \* 10/2013 Minn ..... D14/447

(\*\*) Term: **15 Years**

D716,215 S \* 10/2014 Dunn ..... D12/415

(21) Appl. No.: **29/547,772**

D750,612 S \* 3/2016 Chen ..... D14/253

(22) Filed: **Dec. 8, 2015**

D750,633 S \* 3/2016 Minn ..... D14/447

(30) **Foreign Application Priority Data**

D765,070 S \* 8/2016 Franklin ..... D14/253

Jun. 10, 2015 (CN) ..... 2015 3 0187453

D765,651 S \* 9/2016 Liu ..... D14/253

(51) **LOC (10) Cl.** ..... **14-03**

D767,556 S \* 9/2016 Lee ..... D12/415

(52) **U.S. Cl.**

D768,125 S \* 10/2016 Kim ..... D14/253

USPC ..... **D14/253**

D769,860 S \* 10/2016 Xiao ..... D14/253

(58) **Field of Classification Search**

2014/0138419 A1 \* 5/2014 Minn ..... B60R 11/0241

USPC ..... D14/253, 251, 252, 447, 451, 452, 440,

2016/0082893 A1 \* 3/2016 Ormsbee ..... B60R 11/0241

D14/434, 458, 432, 439, 457, 460, 238.1,

224/567

D14/140, 142, 149, 217, 148, 140.8,

\* cited by examiner

D14/140.11, 209.1, 151, 140.9, 250, 238;

*Primary Examiner* — Susan Bennett Hattan

D13/107, 108; D12/415, 223, 114, 420,

*Assistant Examiner* — Janice Hallmark

D12/417, 407, 177; D3/218;

(57) **CLAIM**

D16/242–245, 250, 237, 203, 214,

The ornamental design for a mobile phone bracket, as shown.

D16/219; D8/349; D6/675, 672, 673,

**DESCRIPTION**

D6/675.4, 553, 676, 310, 406.3, 406.4,

FIG. 1 is a front elevational view of a mobile phone bracket

D6/406.5, 406.6, 407, 567, 300, 682.3;

showing my new design;

248/459, 460; 224/483

FIG. 2 is a rear elevational view thereof;

CPC ..... B60R 2011/0008; B60R 11/02; B60R

FIG. 3 is a left side view thereof;

11/0241; B60R 11/0258; B60R 11/0252;

FIG. 4 is a right side view thereof;

B60R 2011/0294; F16M 11/00; F16M

FIG. 5 is a top plan view thereof;

11/04; F16M 11/041; F16M 11/02; F16M

FIG. 6 is a bottom plan view thereof; and,

11/06; F16M 13/00; H04M 1/02; H04M

FIG. 7 is a perspective view thereof.

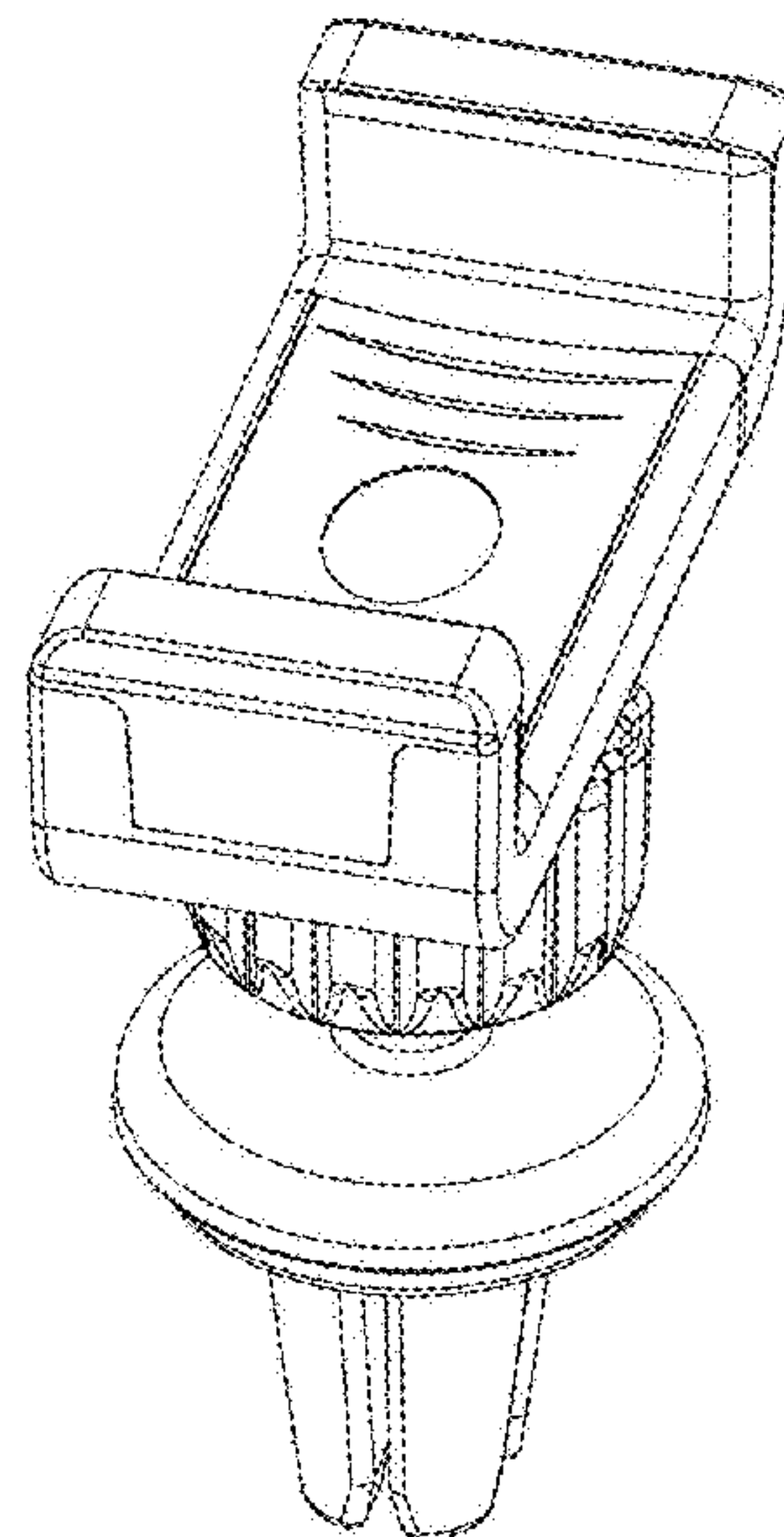
1/04; H04M 1/11; H04M 1/12; A47F

7/022; B62J 11/00; H05K 7/00; G03B

17/56

See application file for complete search history.

**1 Claim, 5 Drawing Sheets**



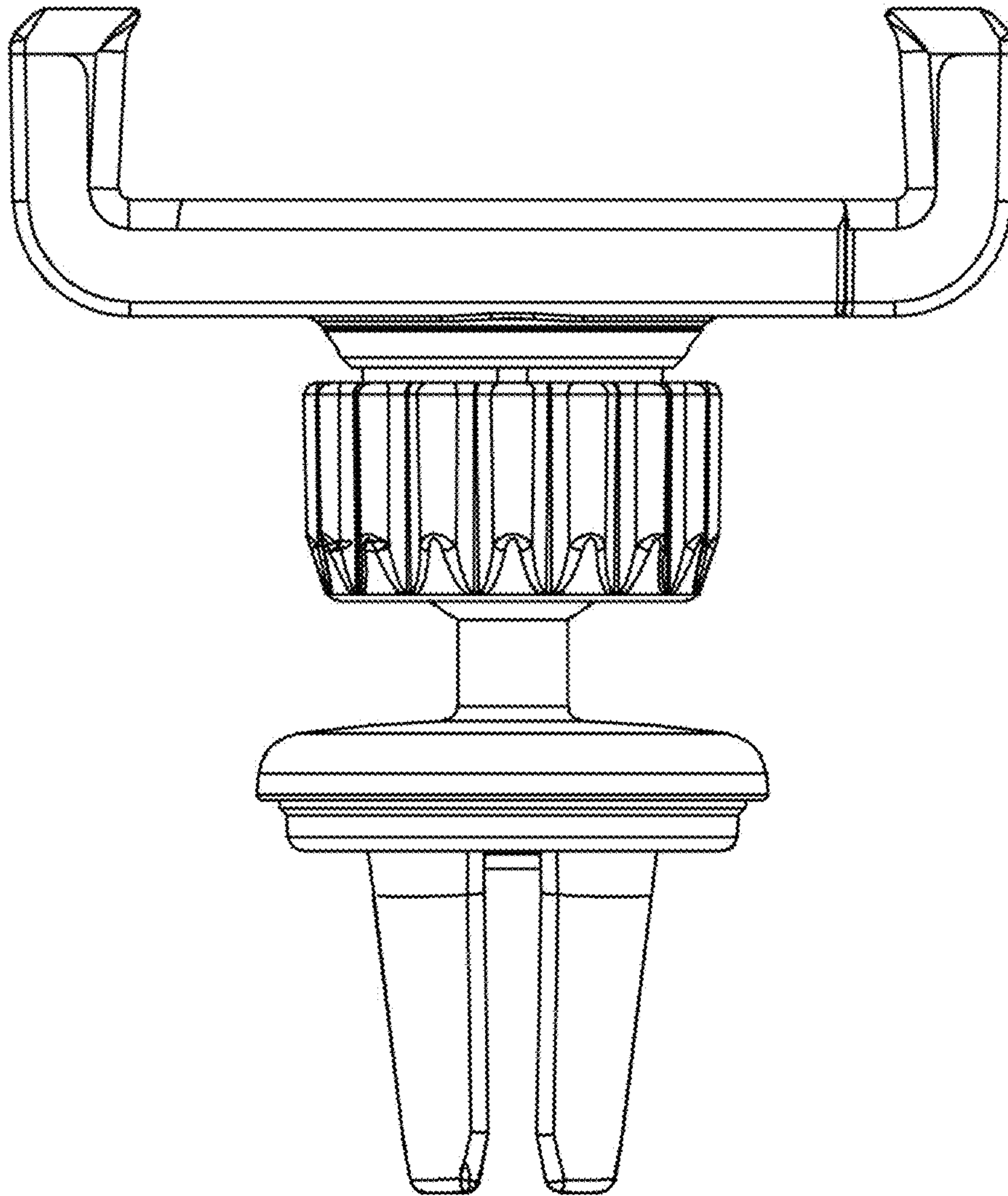


FIG. 1

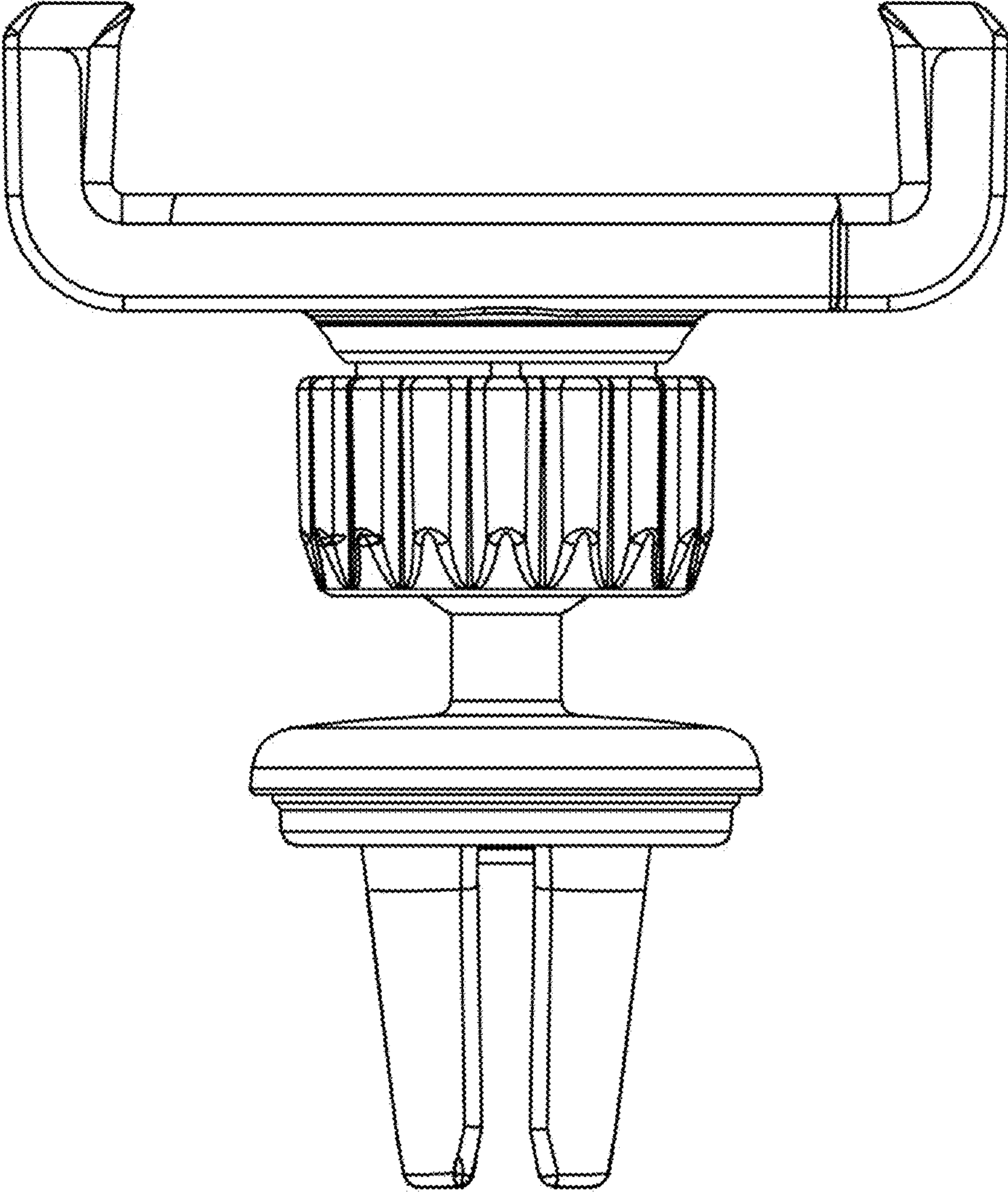


FIG. 2



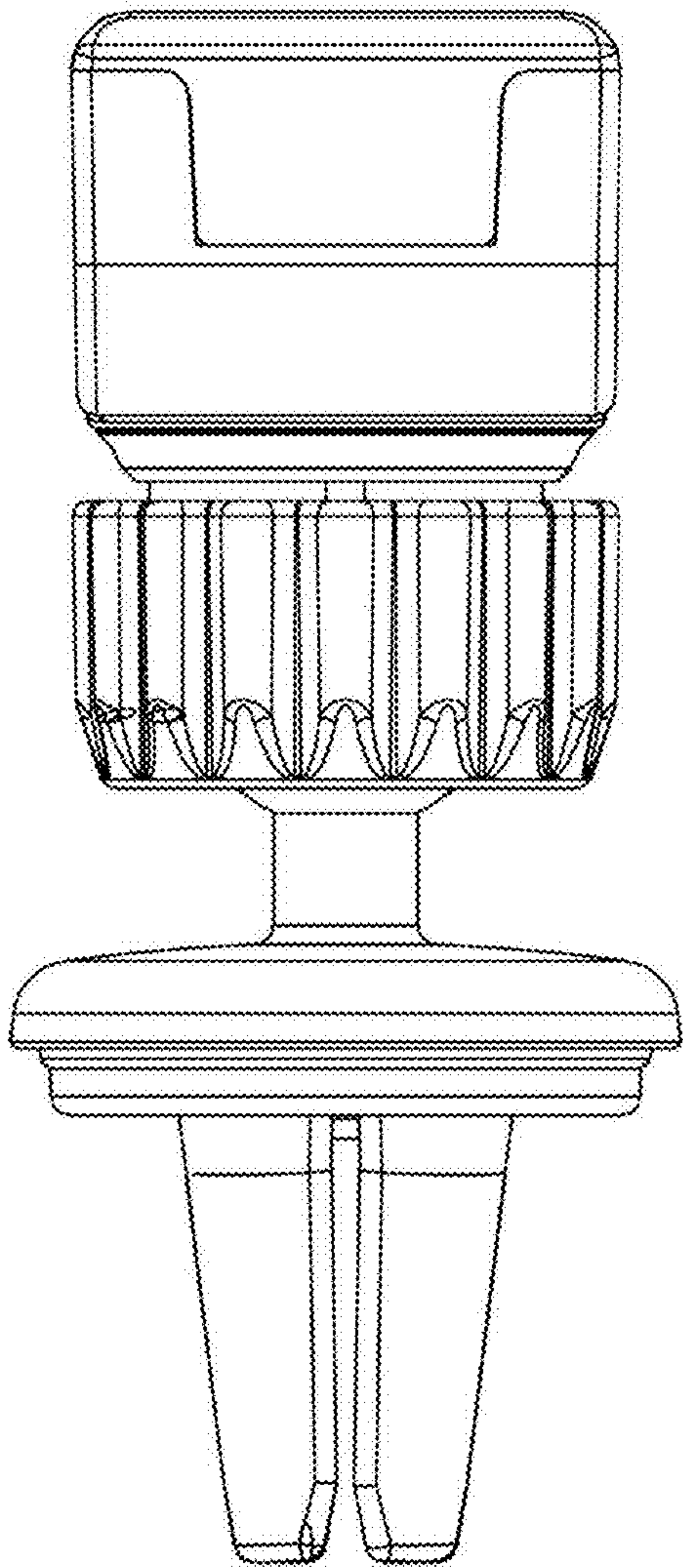


FIG. 3

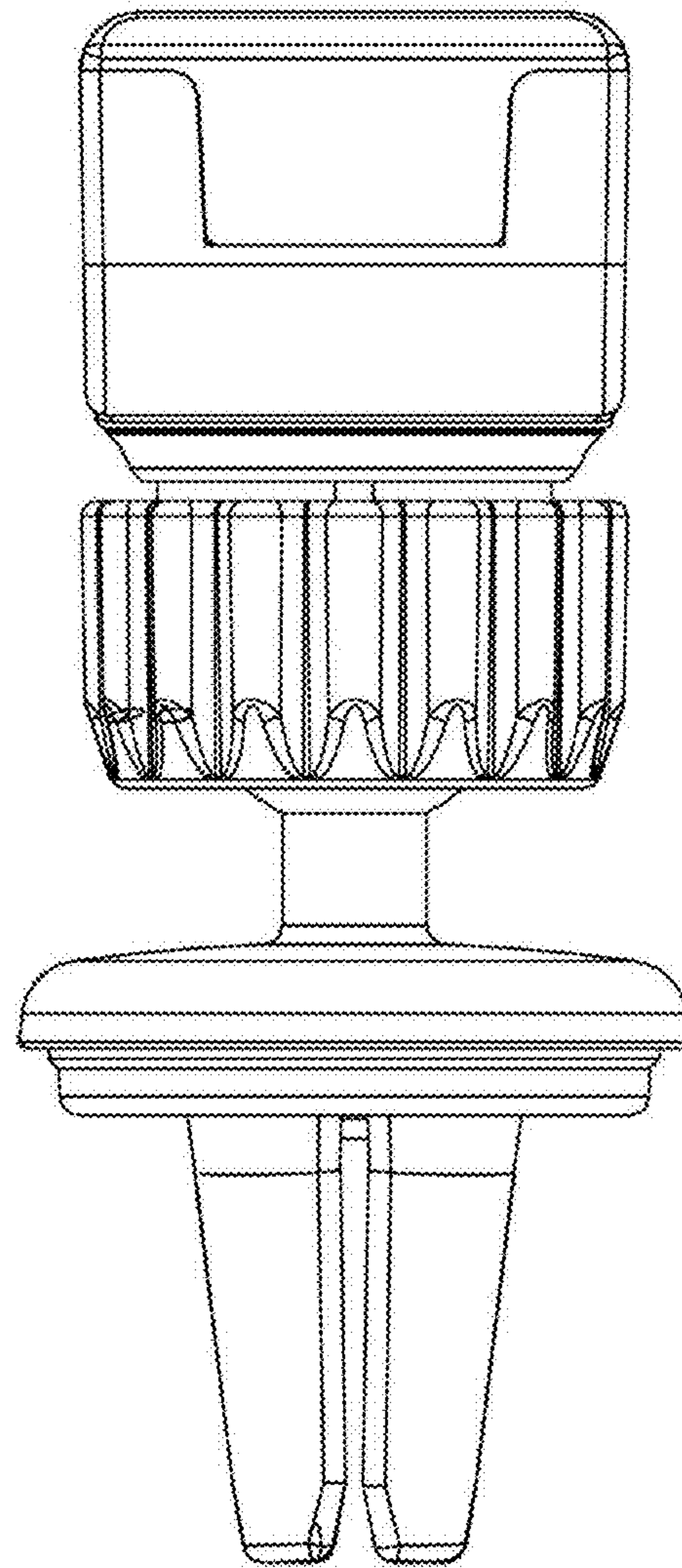


FIG. 4

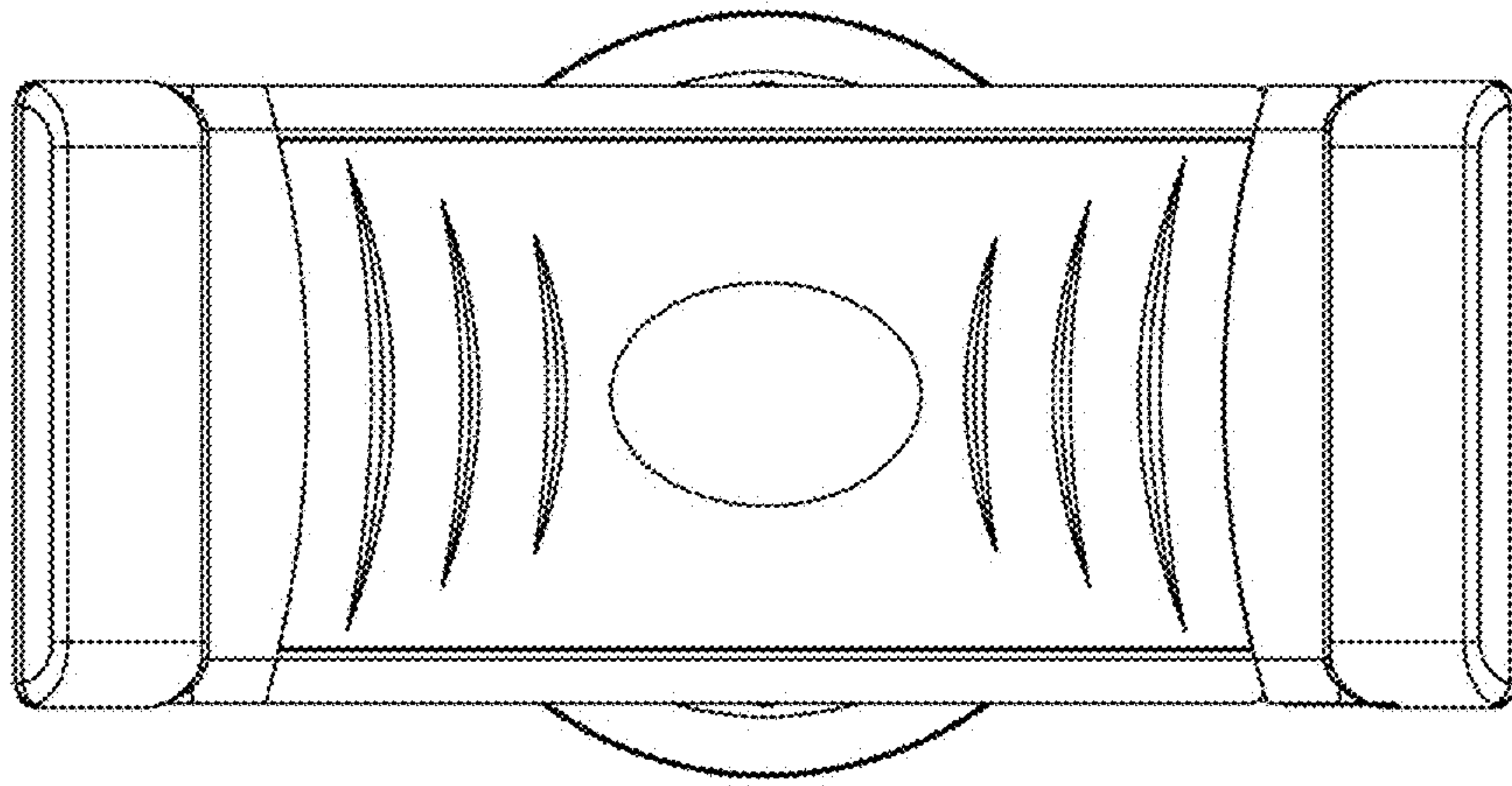


FIG. 5

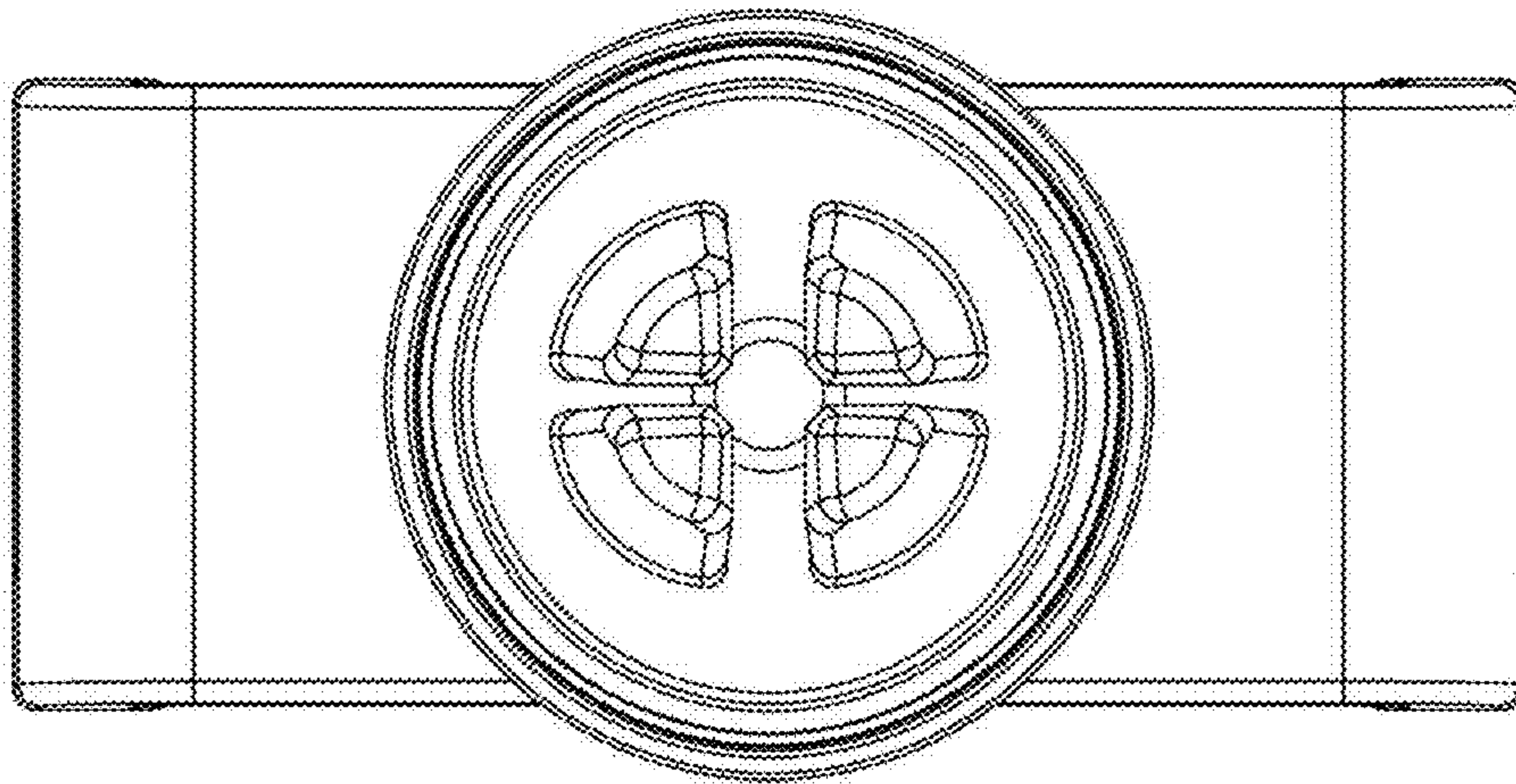


FIG. 6

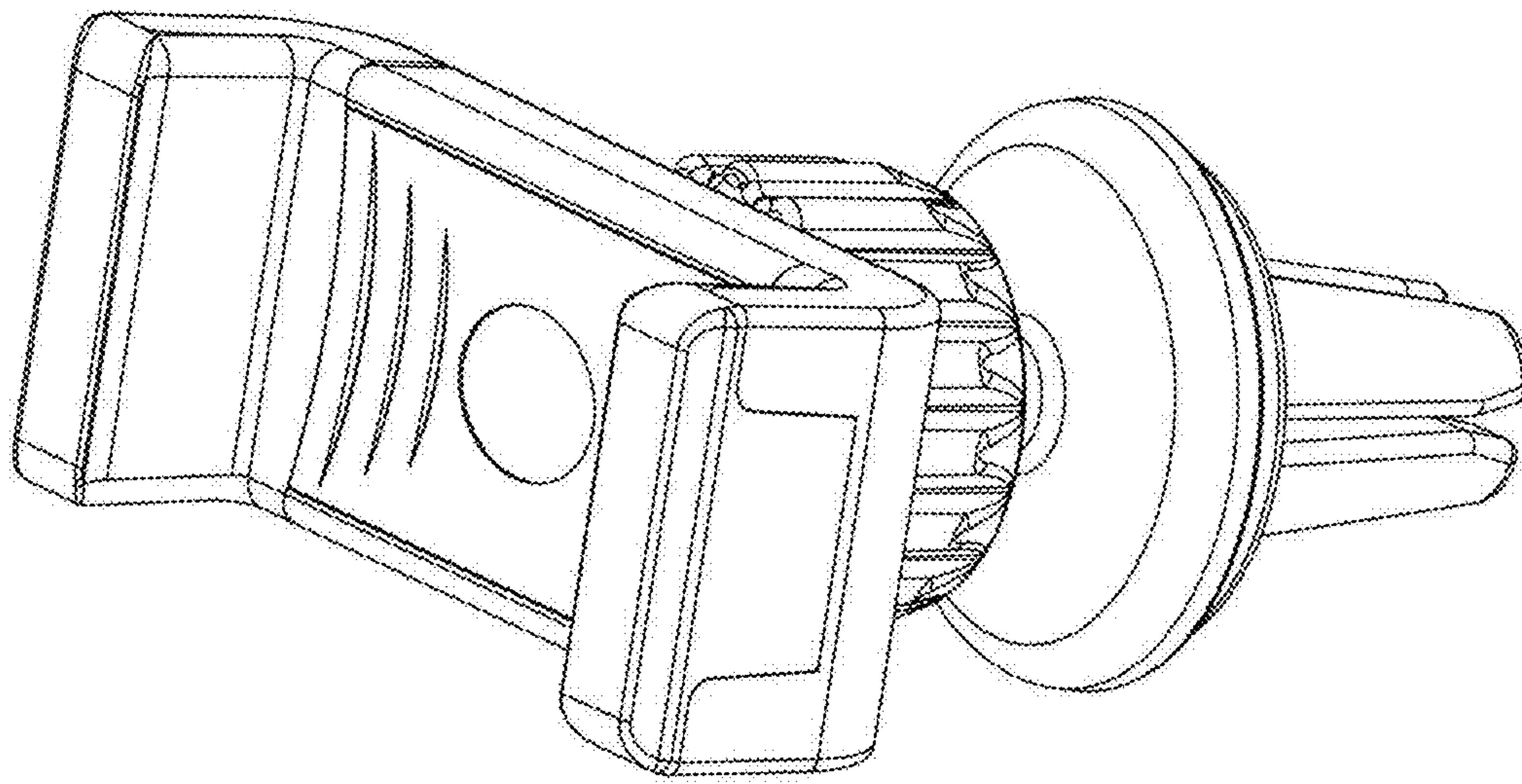


FIG. 7