



US00D780166S

(12) **United States Design Patent** (10) **Patent No.:** **US D780,166 S**
Lin (45) **Date of Patent:** **** Feb. 28, 2017**

(54) **MOBILE PHONE COVER**
(71) Applicant: **WIN2000**, Dongguan (CN)
(72) Inventor: **Jian Ping Lin**, Dongguan (CN)
(73) Assignee: **WIN2000**, Guangdong Province (CN)
(**) Term: **15 Years**
(21) Appl. No.: **29/531,012**
(22) Filed: **Jun. 22, 2015**
(51) **LOC (10) Cl.** **14-03**
(52) **U.S. Cl.**
USPC **D14/250**
(58) **Field of Classification Search**
USPC D14/250–253, 432, 434, 447, 451, 452,
D14/140, 142, 149, 217, 240, 299, 496;
D3/215, 218, 219, 328; D13/107, 108;
D10/23; D8/71, 72, 74, 349, 373; D6/302,
D6/303, 306, 310, 312; 455/575.1, 575.9;
D19/88; D16/242, 245; D21/313;
D12/400, D12/415–418, 420–422, 426,
D12/223; 379/454
CPC H04M 1/00; H04M 1/04; H04M 1/06;
H04M 1/11; H04B 1/3877; H04B 1/3888;
F16M 11/04; F16M 11/041; F16M 11/10;
F16M 11/05; F16M 11/38; B60R 11/02;
B60R 11/0241; B60R 11/0258; B60R
11/0252; A45F 5/021; A45F 2005/025
See application file for complete search history.

(56) **References Cited**
U.S. PATENT DOCUMENTS
D337,435 S * 7/1993 Kaneko D3/218
D669,890 S * 10/2012 Hopkins D14/251
D671,932 S * 12/2012 Azoulay D14/250
D671,933 S * 12/2012 Rodgers D14/250
D681,613 S * 5/2013 Magness D14/238.1
D682,815 S * 5/2013 Chang D14/250
D685,778 S * 7/2013 Fahrendorff D14/250
8,522,965 B1 * 9/2013 Hsiung H04B 1/3888
206/320

D706,254 S * 6/2014 Chang D14/217
D709,486 S * 7/2014 Lin D14/250
D711,362 S * 8/2014 Poon D14/250
D711,864 S * 8/2014 Poon D14/250
(Continued)

OTHER PUBLICATIONS

Stylo LS770 Phone Protective Case. alicdn.com. (online) 1 pg.
[retrieved on Jul. 7, 2016]. Retrieved from Internet: <http://g01.a.alicdn.com/kf/HTB1piJ5IpXXXXb9XXXXq6xXFXXX5/200pcs-Shock-Proof-Armor-Robot-Belt-Clip-Hybrid-Hoslter-Kickstand-Case-For-LG-G-Stylo-LS770.jpg>.
(Continued)

Primary Examiner — Susan Bennett Hattan
Assistant Examiner — Marie Fast Horse
(74) *Attorney, Agent, or Firm* — WHGC, P.L.C.; John O'Rourke

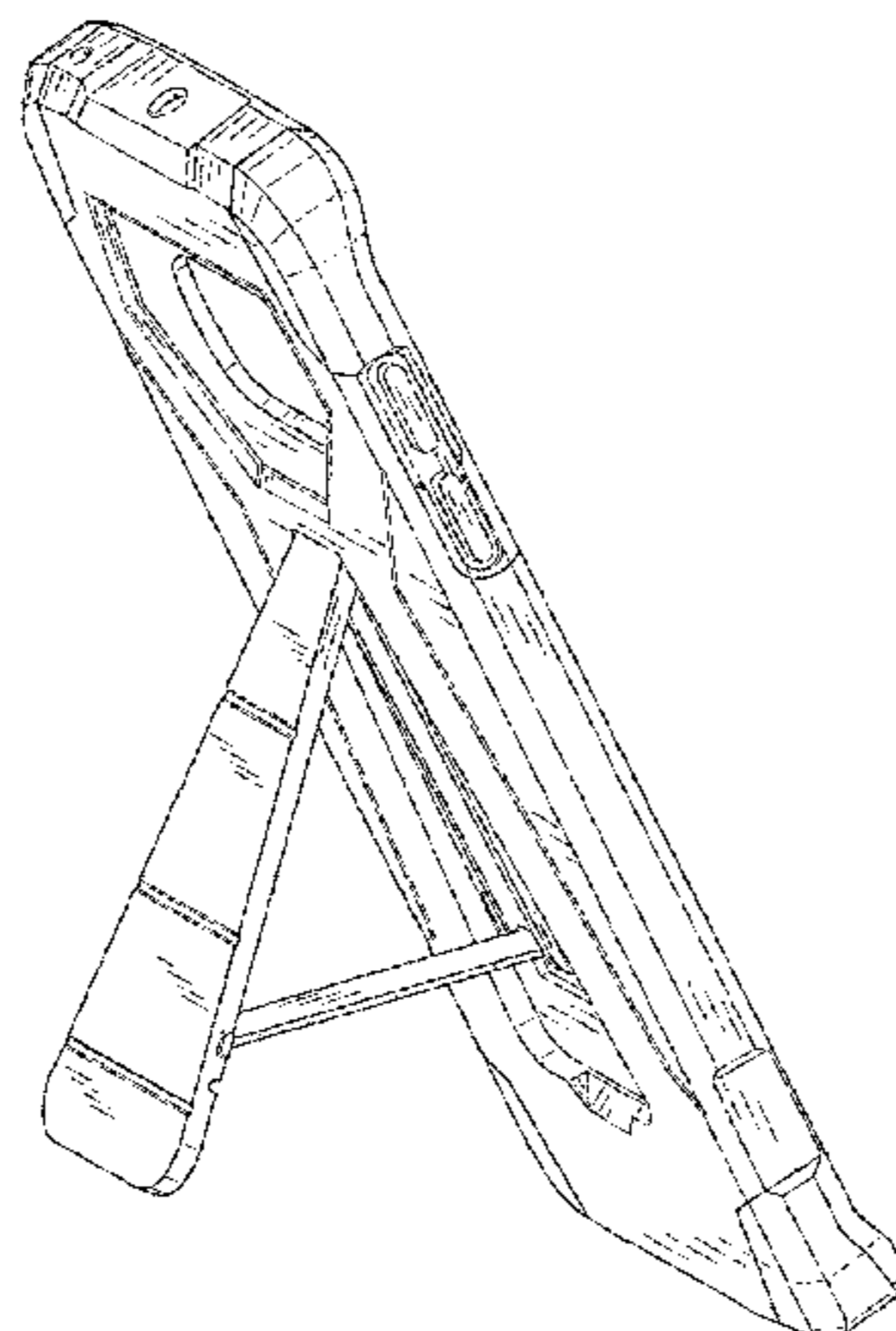
(57) **CLAIM**

I claim the ornamental design for a mobile phone cover, as shown and described.

DESCRIPTION

FIG. 1 is a rear perspective view of the mobile phone cover showing the new design in an open configuration;
FIG. 2 is a front view thereof;
FIG. 3 is a rear view thereof;
FIG. 4 is a left-side view thereof;
FIG. 5 is a right-side view thereof;
FIG. 6 is a top view thereof; and
FIG. 7 is a bottom view thereof.
FIG. 8 is a rear view of the mobile phone cover of FIG. 1 showing the new design in a closed configuration;
FIG. 9 is a left-side view thereof;
FIG. 10 is a right-side view thereof;
FIG. 11 is a top view thereof; and
FIG. 12 is a bottom view thereof.

(Continued)



The broken lines in the Figures are included for the purpose of illustrating portions of a mobile phone cover and form no part of the claimed design.

1 Claim, 8 Drawing Sheets

2014/0152034	A1*	6/2014	Tussy	F16M 13/04 294/142
2014/0262854	A1*	9/2014	Chen	A45C 11/00 206/45.24
2015/0201743	A1*	7/2015	Erickson-Davis	A45F 5/00 224/218
2016/0045002	A1*	2/2016	Butts	A45C 11/00 224/191

(56)

References Cited

U.S. PATENT DOCUMENTS

8,820,525	B1*	9/2014	Zanxiang	F16M 11/10 206/320
D716,280	S *	10/2014	Macrina	D14/250
D719,949	S *	12/2014	Tussy	D14/250
D719,951	S *	12/2014	Fenton	D14/253
D725,659	S *	3/2015	Tussy	D14/440
D726,170	S *	4/2015	Ng	D14/250
D729,223	S *	5/2015	Haarburger	D14/253
D756,339	S *	5/2016	Tussy	D14/250
9,379,759	B2*	6/2016	Platt	H04B 1/3888
2014/0069825	A1*	3/2014	Macrina	B65D 81/022 206/37

OTHER PUBLICATIONS

LG G Stylo Carbon Fiber Print Mighty Dual Layer Rugged Case. (online) 1 pg. [retrieved on Jul. 7, 2016]. Retrieved from Internet: http://www.cellularoutfitter.com/Ig/g-stylo/phone-cases-covers/carbon-fiber-print-mighty-dual-layer-rugged-case-black-Is77-dmk03.html?DZID=PPC_Google_PLA_26565_2_40075&utm_source=google&utm_medium=cpc&utm_term=26565_2_40075&utm_campaign=PLA&gclid=CJPtxaf24c0CFQQaQodGrUGcA#tab-customer-review.*

* cited by examiner

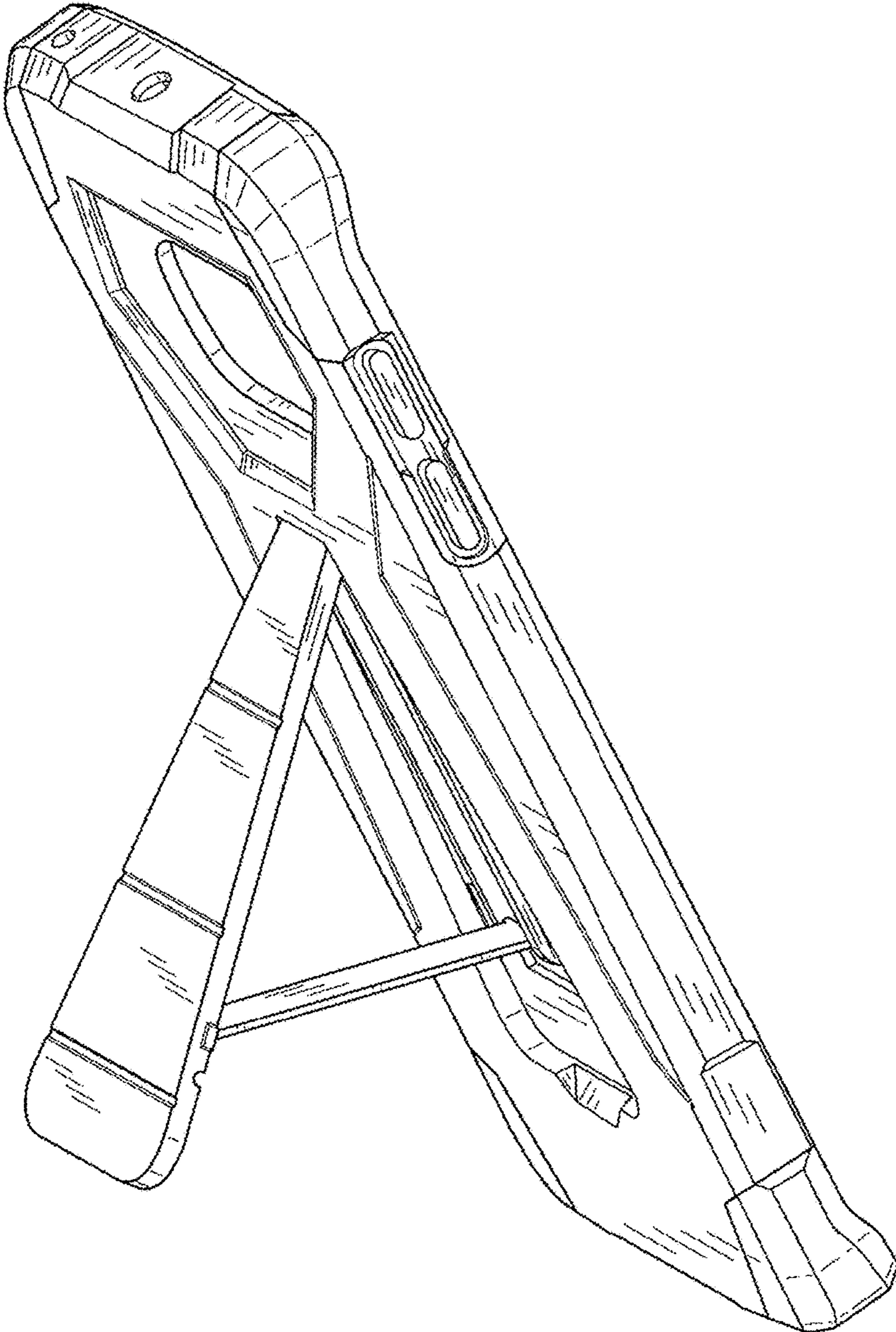


FIG. 1

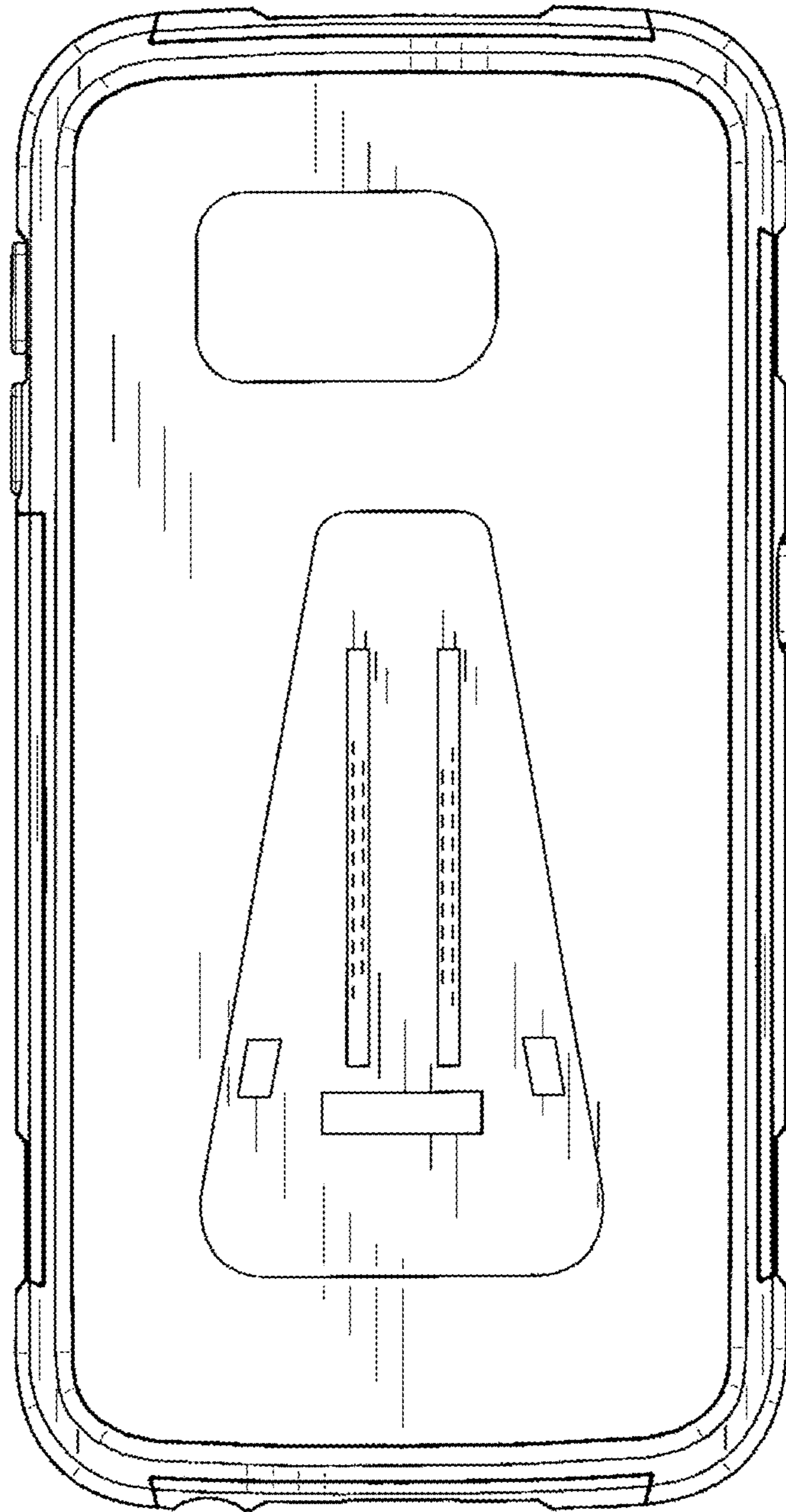


FIG. 2

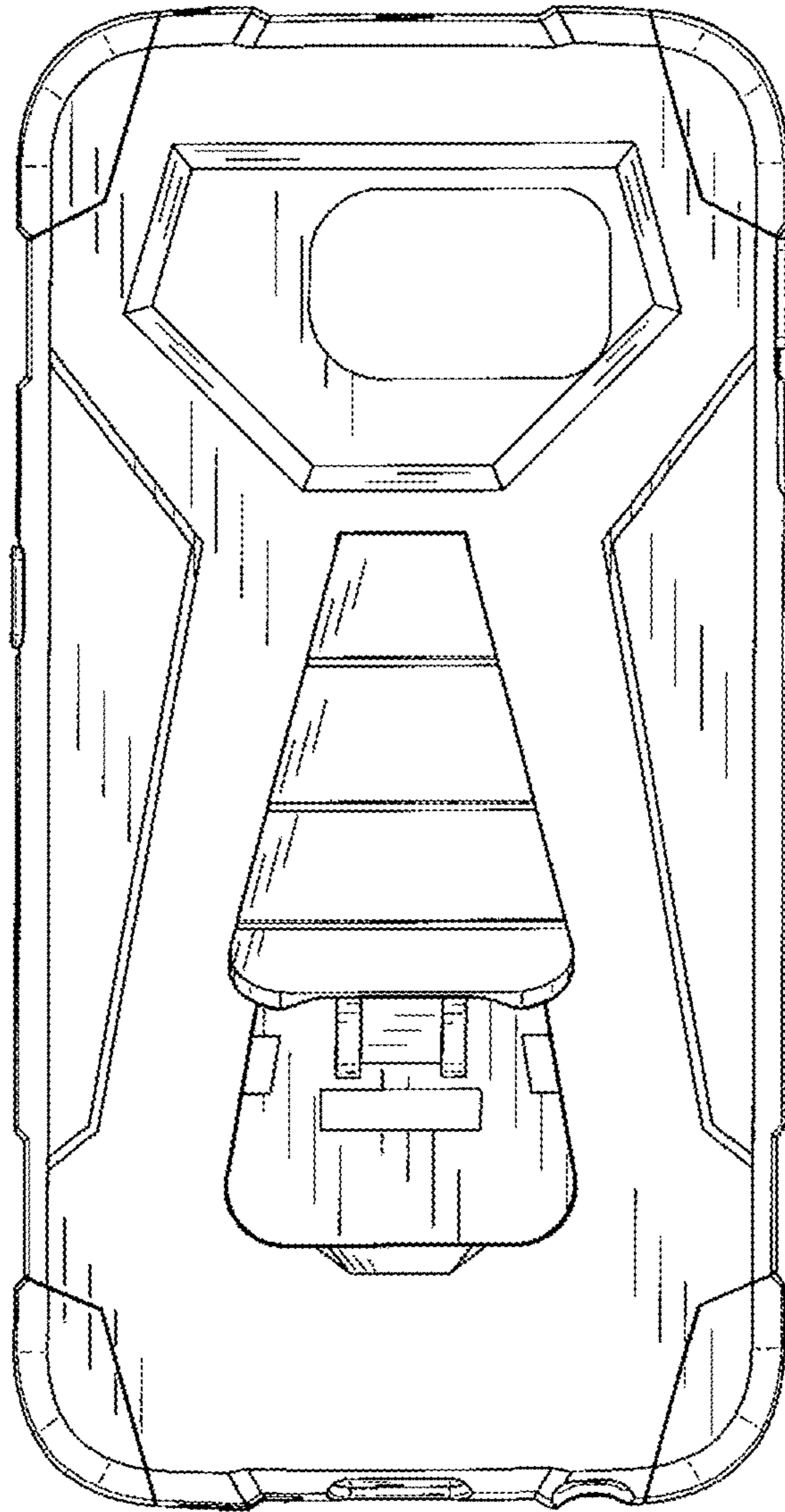


FIG. 3

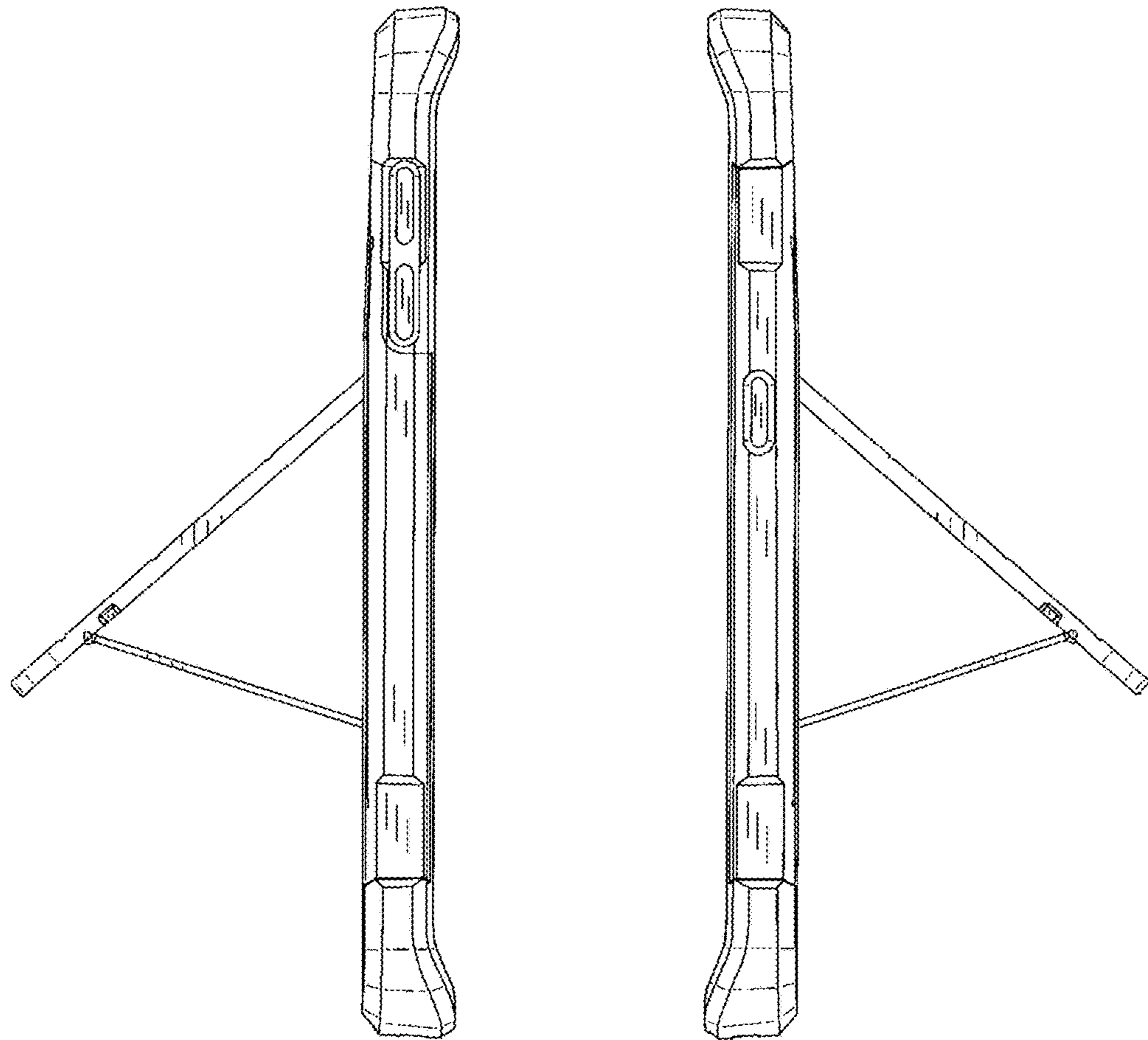


FIG. 4

FIG. 5

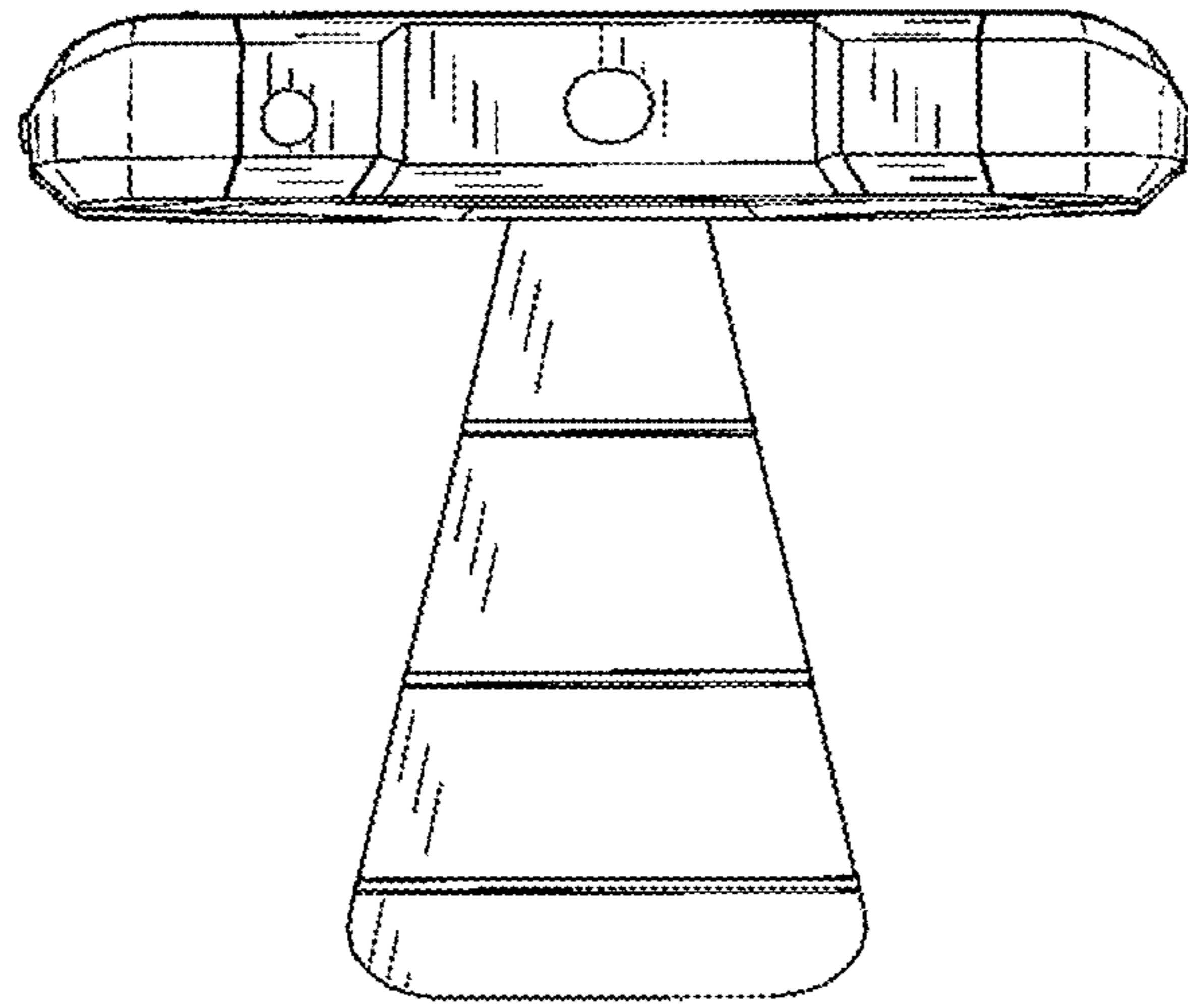


FIG. 6

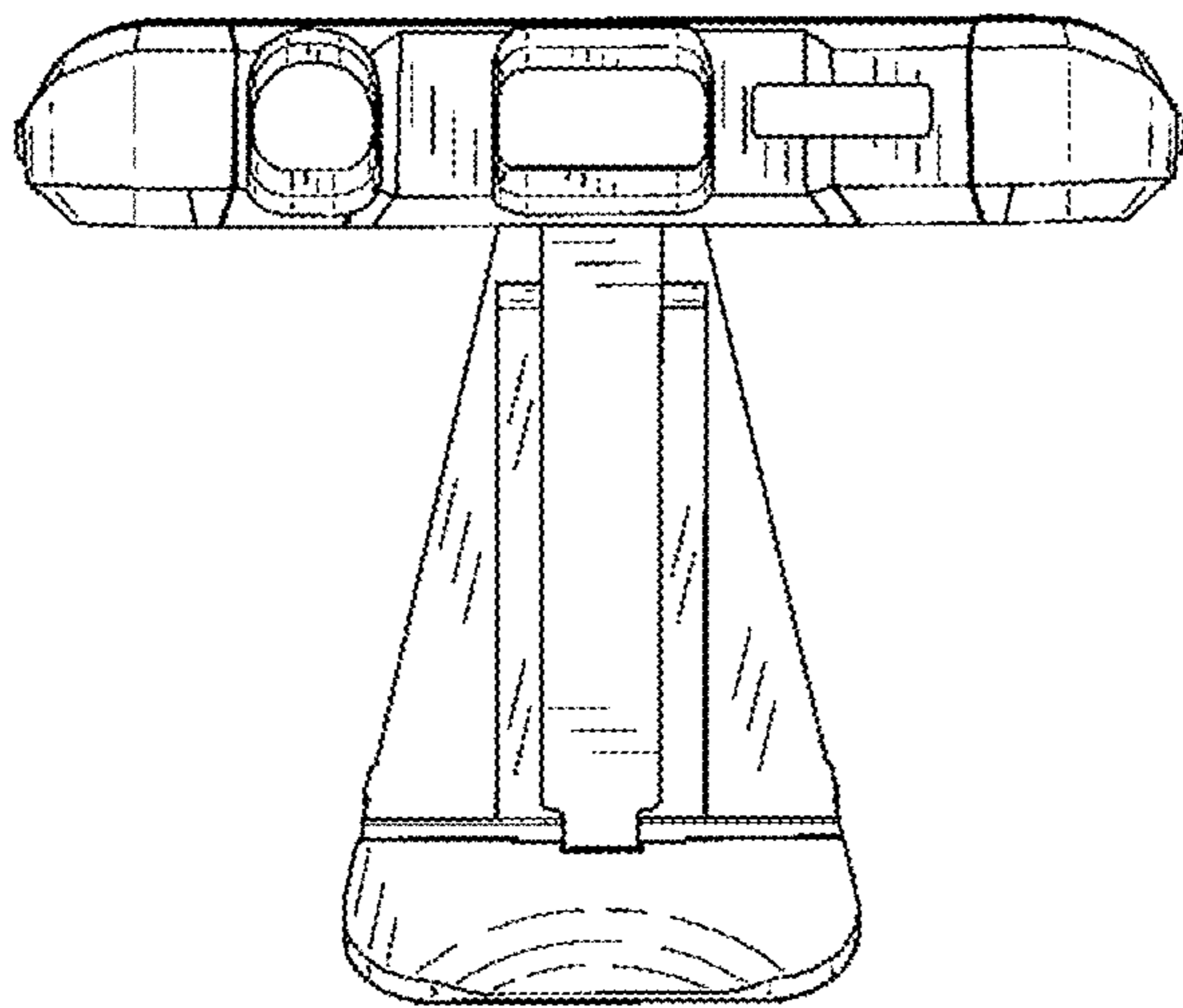


FIG. 7

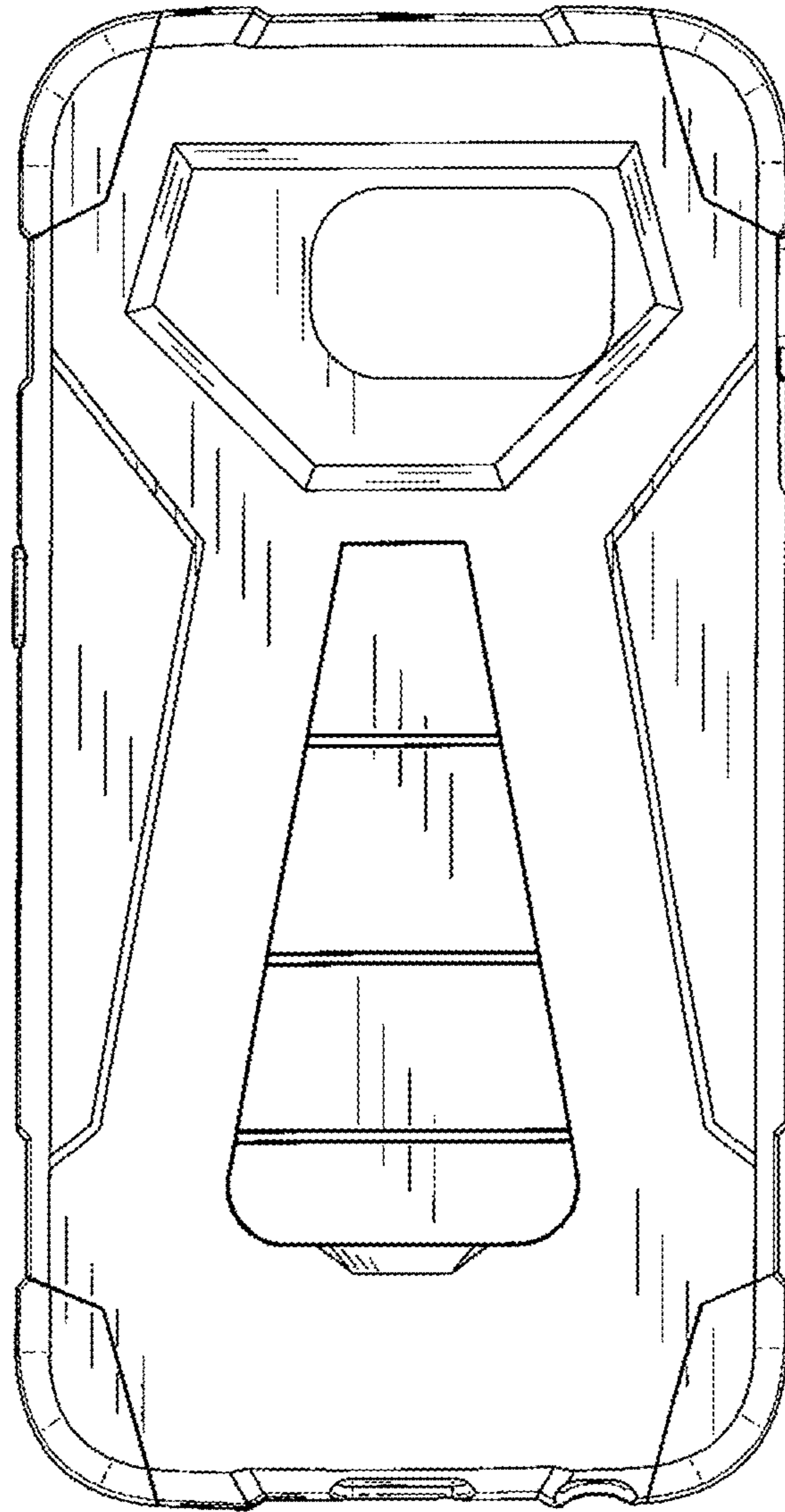


FIG. 8

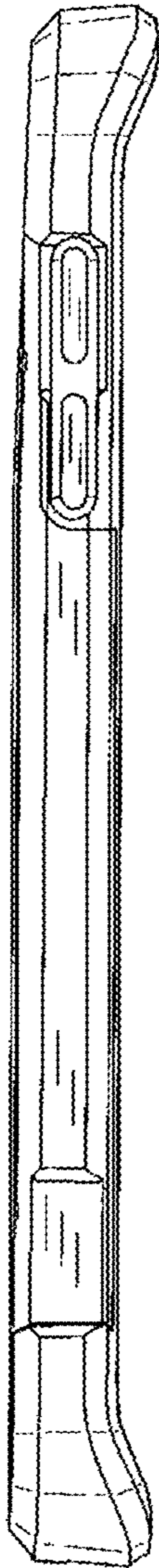


FIG. 9



FIG. 10

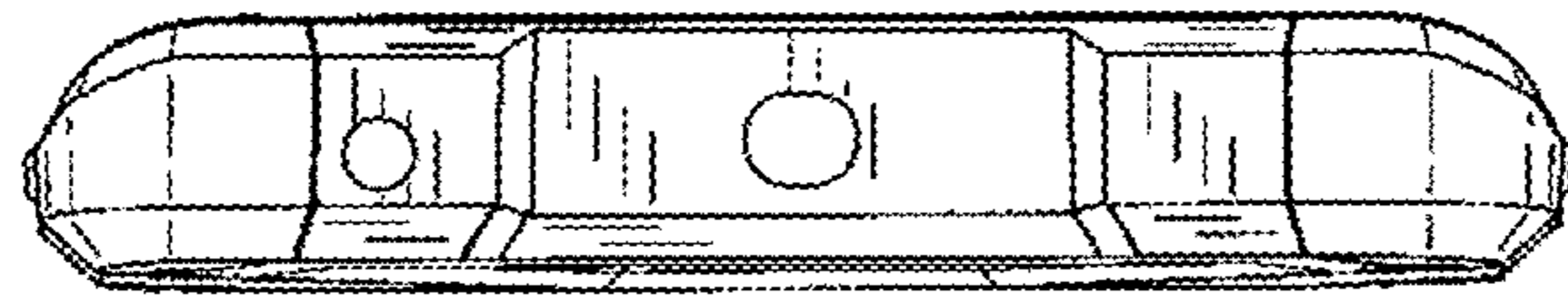


FIG. 11

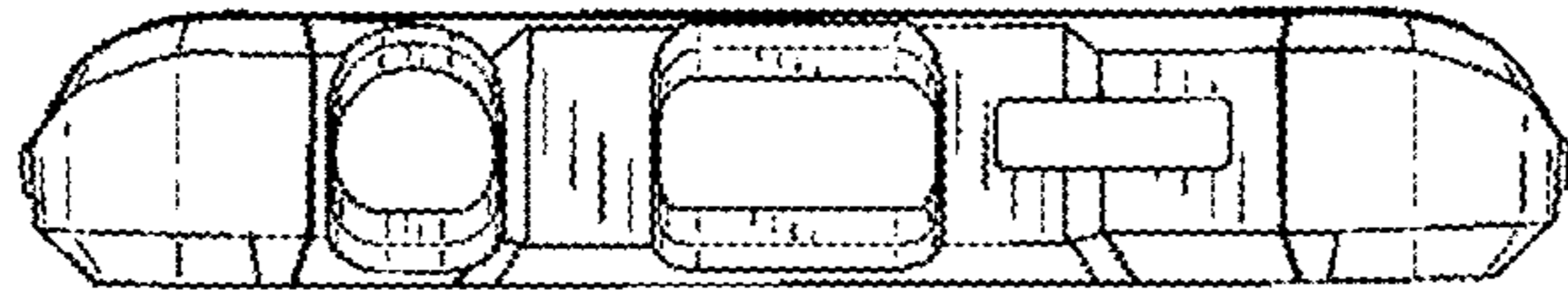


FIG. 12