



US00D780162S

(12) **United States Design Patent**
Kwak et al.

(10) **Patent No.:** **US D780,162 S**
(45) **Date of Patent:** **** Feb. 28, 2017**

- (54) **EARPHONE**
- (71) Applicant: **Samsung Electronics Co., Ltd.**,
Suwon-si, Gyeonggi-do (KR)
- (72) Inventors: **Ji-Yeon Kwak**, Seoul (KR); **Hae-Yoon Park**, Seoul (KR); **Yong-Yeon Lee**,
Suwon-si (KR); **Eun-Young Lim**, Seoul
(KR); **Eui-Ju Lee**, Guri-si (KR);
Yeon-Hee Jung, Seoul (KR)
- (73) Assignee: **SAMSUNG ELECTRONICS CO., LTD.** (KR)

4,942,617 A * 7/1990 Boylan H04M 1/05
381/182
D331,220 S * 11/1992 Tsuchiya D13/107
5,230,016 A * 7/1993 Yasuda H02J 7/0044
379/426
D344,800 S * 3/1994 Lamby D24/174
5,748,743 A * 5/1998 Weeks H04R 25/654
381/312
5,920,178 A * 7/1999 Robertson, Jr. H01M 2/1055
320/112
6,229,893 B1 * 5/2001 Chen B60R 11/0241
379/446
6,236,187 B1 * 5/2001 Chen G06F 1/1632
320/107

(Continued)

- (**) Term: **15 Years**
- (21) Appl. No.: **29/542,174**
- (22) Filed: **Oct. 12, 2015**

FOREIGN PATENT DOCUMENTS

CN 302630420 S 11/2013
EM 002254409-0001 7/2013

(Continued)

- (30) **Foreign Application Priority Data**
Apr. 15, 2015 (KR) 30-2015-0019138

Primary Examiner — Paula Greene
(74) *Attorney, Agent, or Firm* — Cantor Colburn LLP

- (51) **LOC (10) Cl.** **14-01**
- (52) **U.S. Cl.**
USPC **D14/223**
- (58) **Field of Classification Search**
USPC D14/223, 205; 181/129, 130, 135;
379/430, 431, 454; 381/380, 381, 370,
381/371, 328, 321, 322, 384; 455/90.3,
455/575.1, 269
CPC H04R 1/10; H04R 25/00; H04R 1/105;
H04R 5/0335; H04R 1/1016
See application file for complete search history.

(57) **CLAIM**

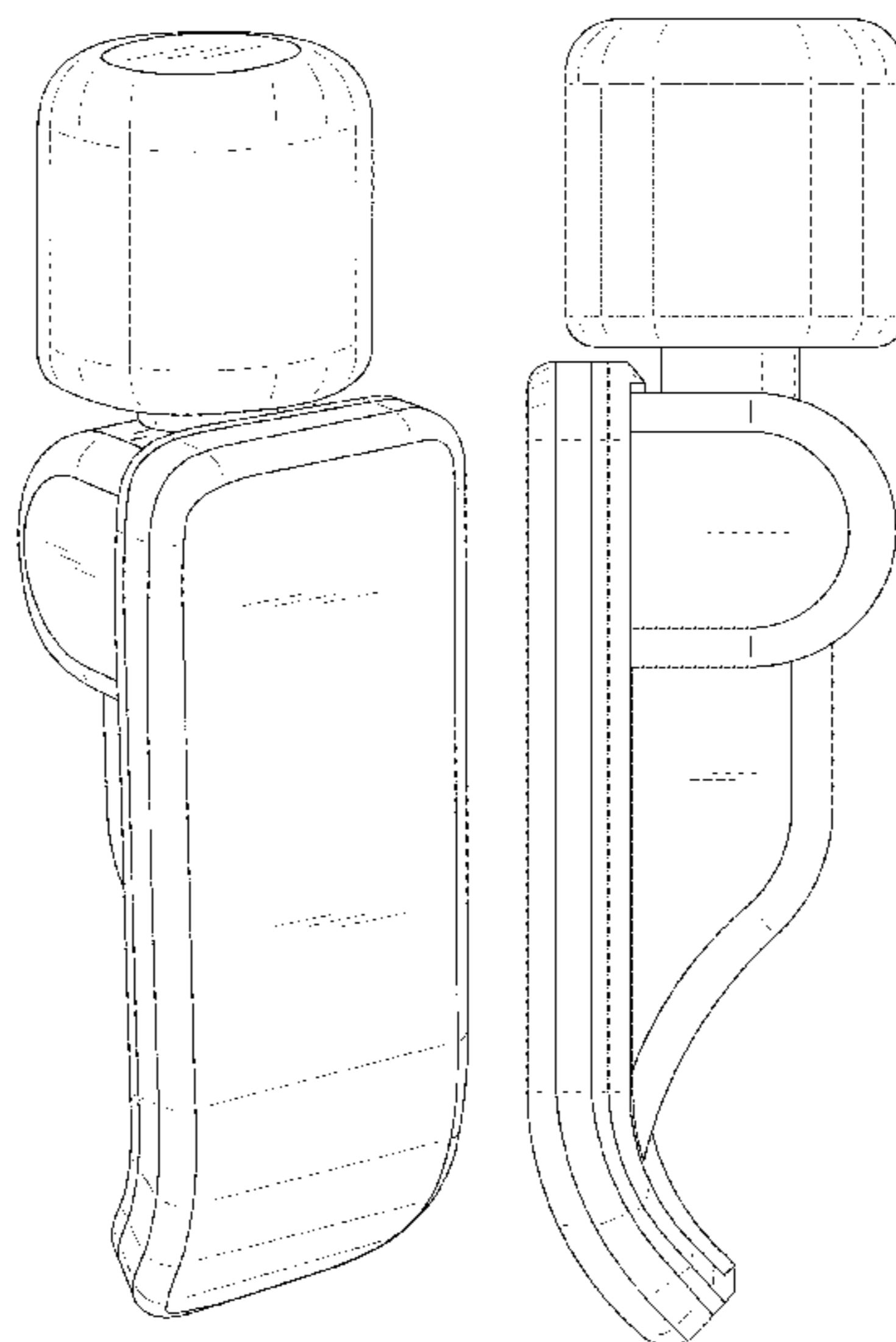
The ornamental design for an earphone, as shown and described.

DESCRIPTION

FIG. 1 is a perspective view of an earphone, showing our new design;
FIG. 2 is a front view thereof;
FIG. 3 is a rear view thereof;
FIG. 4 is a side view thereof;
FIG. 5 is another side view thereof;
FIG. 6 is a top plan view thereof;
FIG. 7 is a bottom plan view thereof; and,
FIG. 8 is another perspective view thereof in an environment of use.
The broken lines are for environmental purpose only and form no part of the claimed design.

- (56) **References Cited**
U.S. PATENT DOCUMENTS
2,470,687 A * 5/1949 Cafrella H01Q 1/273
343/718
4,620,605 A * 11/1986 Gore H04R 25/604
181/130

1 Claim, 6 Drawing Sheets



(56)

References Cited

U.S. PATENT DOCUMENTS

D457,513 S * 5/2002 Pirelli D14/223
 D468,301 S * 1/2003 Fushimi D14/223
 D471,898 S * 3/2003 Bae D14/205
 6,760,459 B2 * 7/2004 Bae H04R 1/1025
 379/430
 6,922,476 B2 * 7/2005 Nassimi H04R 1/1058
 381/380
 D518,477 S * 4/2006 Chen D14/205
 D538,271 S * 3/2007 Kim D14/223
 D538,792 S * 3/2007 Kim D14/223
 D542,267 S * 5/2007 Cha D14/206
 D550,657 S * 9/2007 Gan D14/223
 D551,216 S * 9/2007 Wei D14/223
 D563,868 S * 3/2008 Christopher D13/108
 D568,876 S * 5/2008 Tsai D14/223
 D573,140 S * 7/2008 Tsai D14/205
 D581,396 S * 11/2008 Wikel D14/206
 D586,333 S * 2/2009 Tkachuk D14/223
 D586,778 S * 2/2009 Yang D14/205
 D595,697 S * 7/2009 Mao D14/205
 D597,084 S * 7/2009 Gondo D14/223

D601,549 S * 10/2009 Kang D14/223
 D603,844 S * 11/2009 Blanchard D14/205
 D635,961 S * 4/2011 Gidden D14/223
 D640,247 S * 6/2011 Baumann D14/253
 D651,590 S * 1/2012 Kang D14/223
 8,139,808 B2 * 3/2012 Liu H04M 1/05
 381/330
 D671,096 S * 11/2012 Song D14/223
 D673,140 S * 12/2012 Kelly D14/223
 D693,796 S * 11/2013 Birger D14/223
 D698,026 S * 1/2014 Kuwata D24/174
 D715,775 S * 10/2014 Rueskov D14/221
 D742,861 S * 11/2015 Miyake D14/223
 D743,949 S * 11/2015 Miyake D14/223
 D746,267 S * 12/2015 Birger D14/223
 2008/0260196 A1 * 10/2008 Tsai H04R 1/1008
 381/380

FOREIGN PATENT DOCUMENTS

EM 002613737-0001 1/2015
 EM 002553271-0002 2/2015
 KR 300770097 S 11/2014

* cited by examiner

FIG. 1

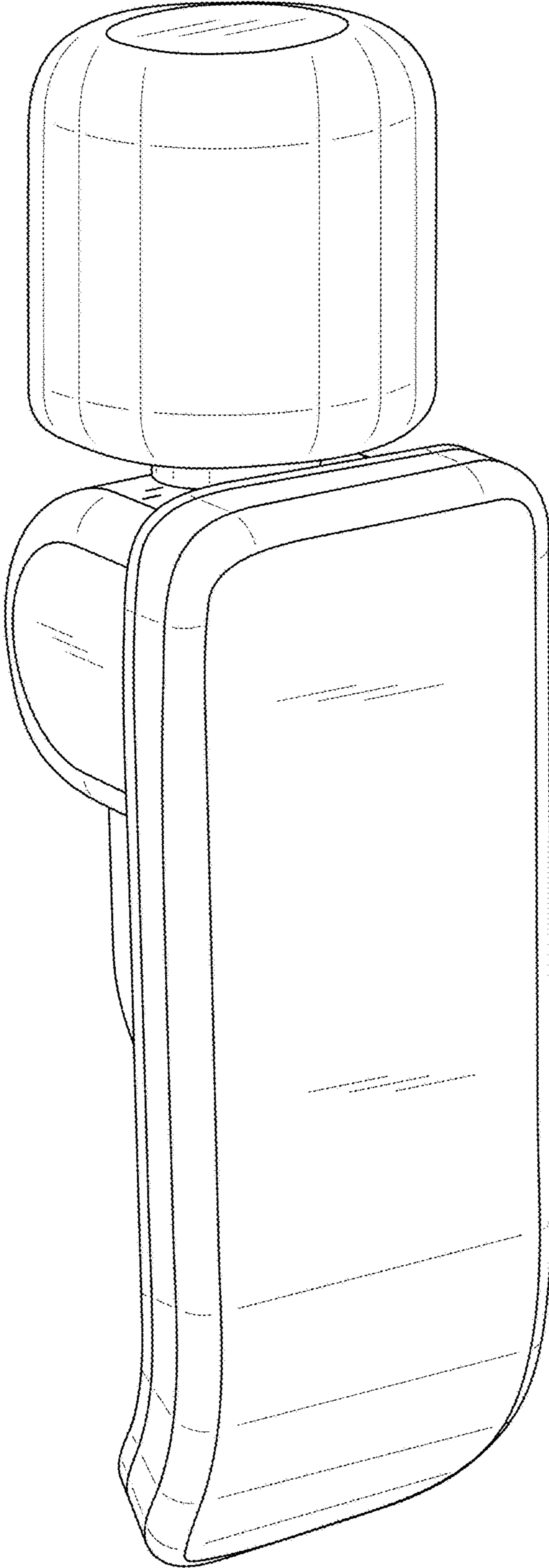


FIG. 2

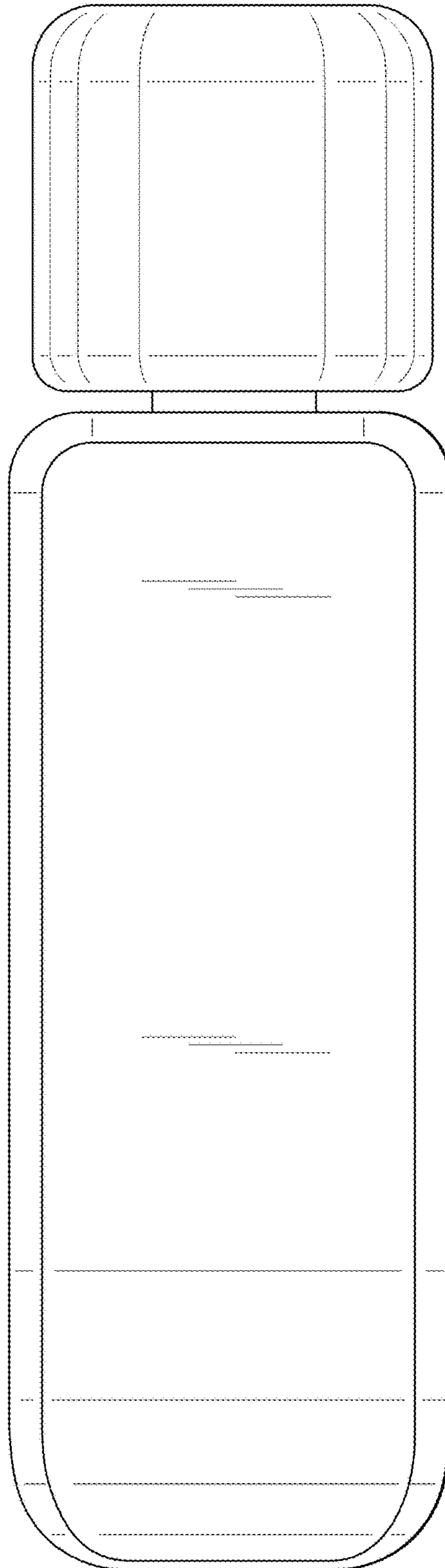


FIG. 3

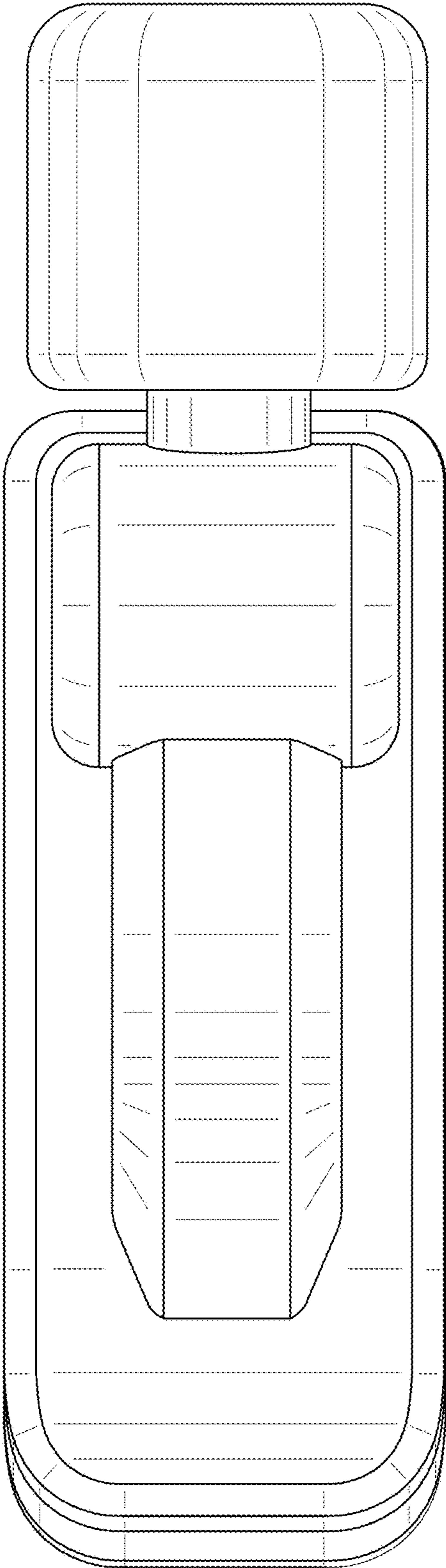


FIG. 4

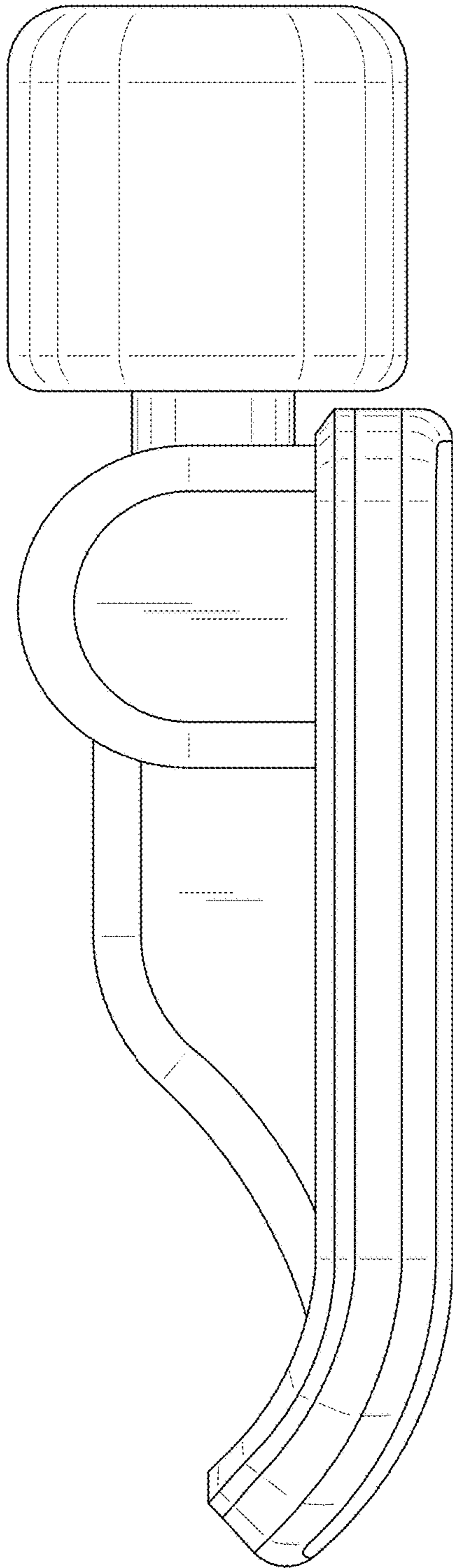


FIG. 5

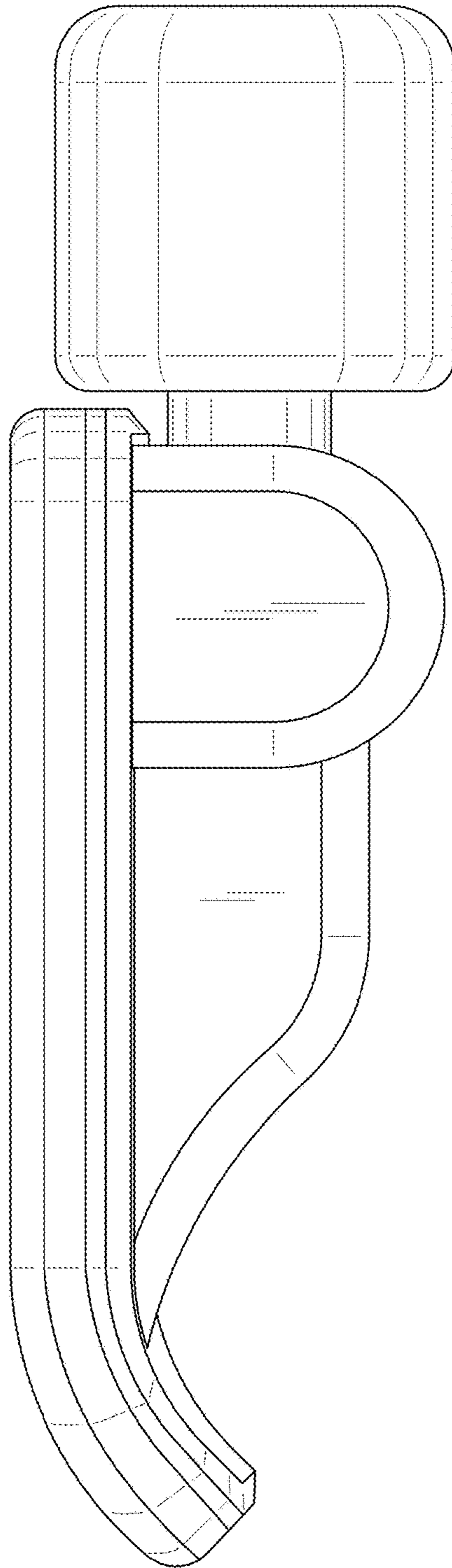


FIG. 6

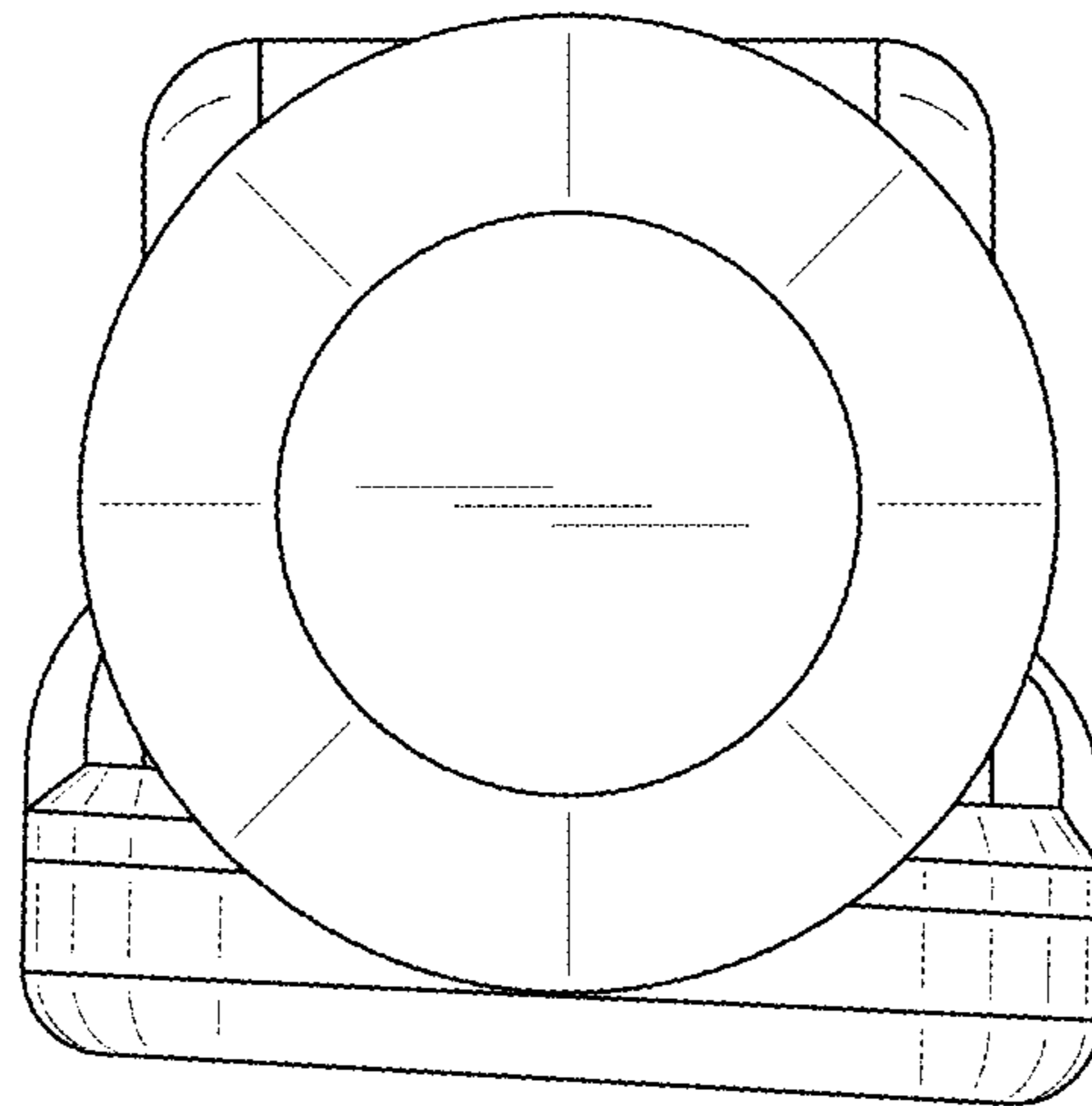


FIG. 7

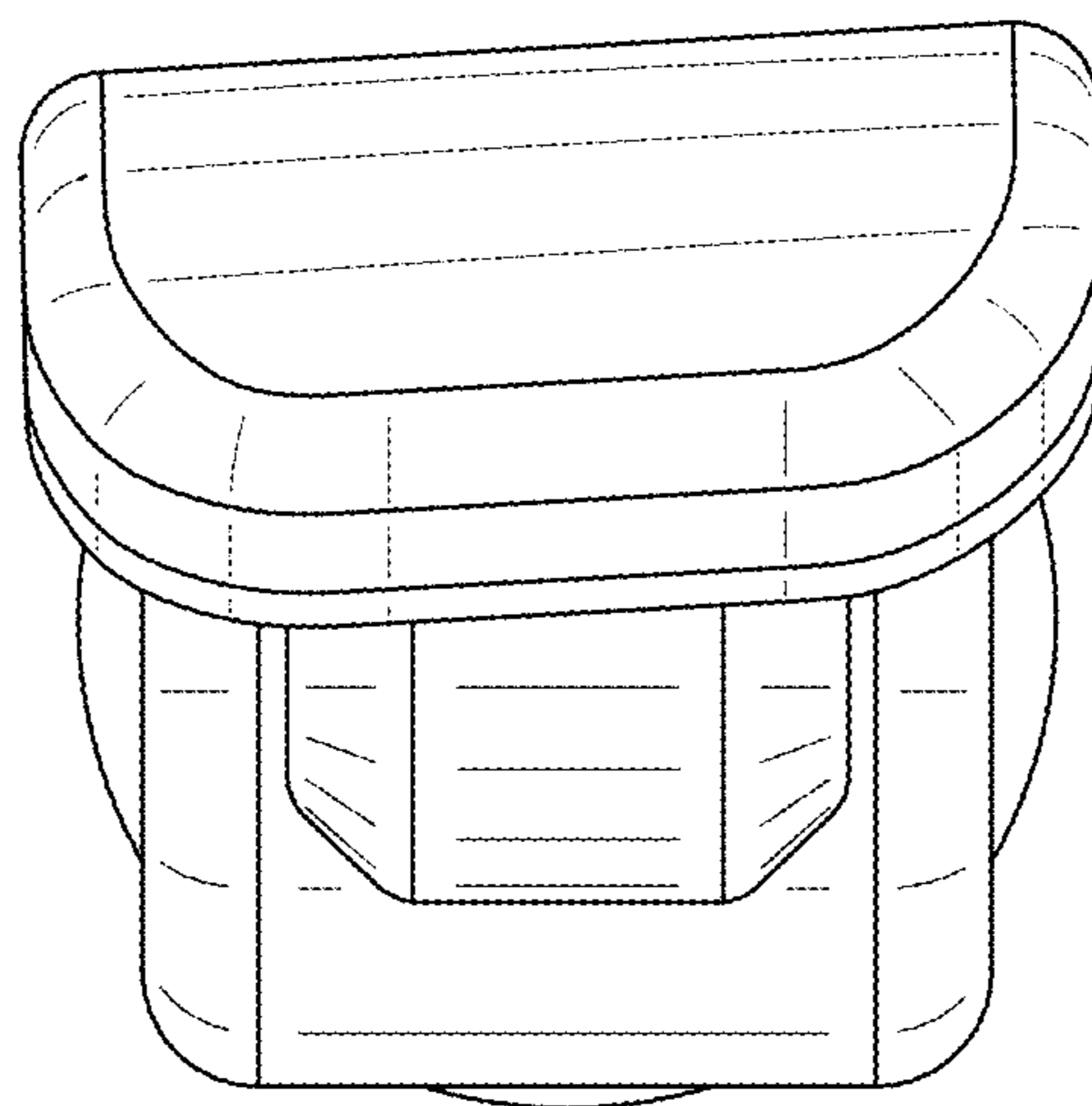


FIG. 8

