



US00D780160S

(12) **United States Design Patent** (10) **Patent No.:** **US D780,160 S**
Hinokio (45) **Date of Patent:** **** Feb. 28, 2017**

(54) **SPEAKER WITH LIGHTING**

(56) **References Cited**

(71) Applicant: **Yamaha Corporation**, Shizuoka (JP)

U.S. PATENT DOCUMENTS

(72) Inventor: **Akie Hinokio**, Shizuoka (JP)

3,931,867 A * 1/1976 Janszen H04R 1/24
181/144

(73) Assignee: **Yamaha Corporation**, Shizuoka (JP)

D483,740 S * 12/2003 Yim D14/216
D537,073 S * 2/2007 Peersman D14/213

(**) Term: **15 Years**

D557,681 S * 12/2007 Silva D14/188
D591,727 S * 5/2009 Lui D14/216

(21) Appl. No.: **29/552,357**

8,175,304 B1 * 5/2012 North H04R 5/02
381/17

(22) Filed: **Jan. 21, 2016**

D667,389 S * 9/2012 Yokoyama D14/204
D700,591 S * 3/2014 Xiao D14/216

Related U.S. Application Data

(62) Division of application No. 29/511,529, filed on Dec. 11, 2014, now Pat. No. Des. 758,347.

* cited by examiner

Primary Examiner — Prabhakar Deshmukh

(30) **Foreign Application Priority Data**

(74) *Attorney, Agent, or Firm* — McDonald Hopkins LLC

Aug. 29, 2014 (JP) 2014-019064

Aug. 29, 2014 (JP) 2014-019065

(51) **LOC (10) Cl.** **14-01**

(57) **CLAIM**

The ornamental design for a speaker with lighting, as shown and described.

(52) **U.S. Cl.**

USPC **D14/215**; D14/221

DESCRIPTION

(58) **Field of Classification Search**

USPC D14/204, 218, 172, 210–216, 209.1, 496,
D14/497, 137, 168, 181, 185, 188, 299,
D14/203.1–203.8, 221; 181/143, 147,
181/148, 150, 153, 157, 198, 199, 166,
181/144; 381/300–303, 306, 332, 333,
381/336, 345, 361–364, 370, 386–388;
455/344–351; 84/609–614, 634–638;
434/307 A, 307 R, 309, 318; 352/1, 6–10

FIG. 1 is a perspective view of a speaker with lighting showing our new design;

FIG. 2 is a front view thereof; a back view thereof being an identical image;

FIG. 3 is a top view thereof;

FIG. 4 is a bottom view thereof; and,

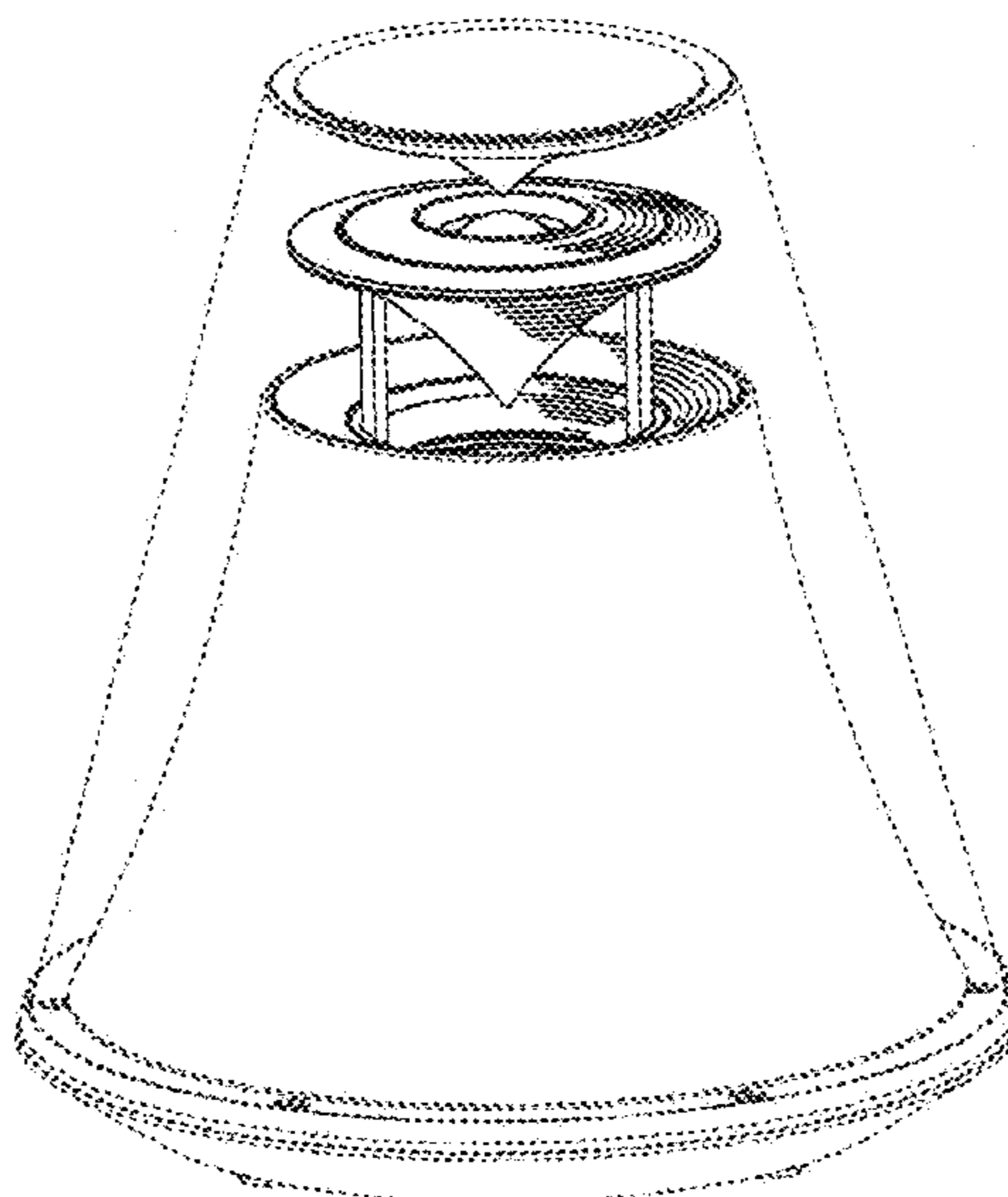
FIG. 5 is a right view thereof; a left view thereof being an identical.

CPC H04R 1/02; H04R 1/023; H04R 1/026;
H04R 1/30; H04R 3/00; H04R 9/06;
H04R 11/02; H04R 19/02

The broken lines shown in the figures are for illustrative purposes only and form no part of the claimed design.

See application file for complete search history.

1 Claim, 5 Drawing Sheets



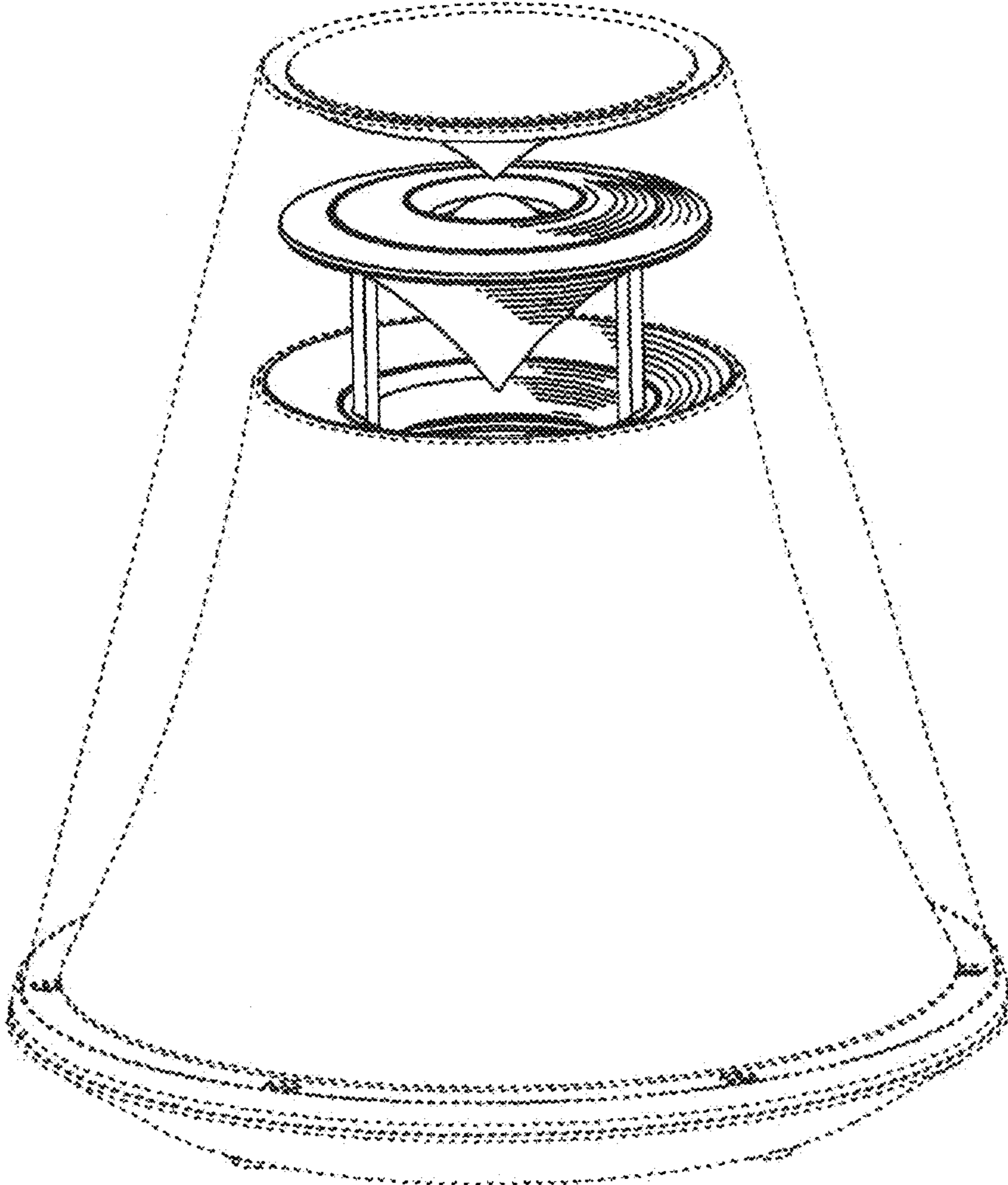


Fig. 1

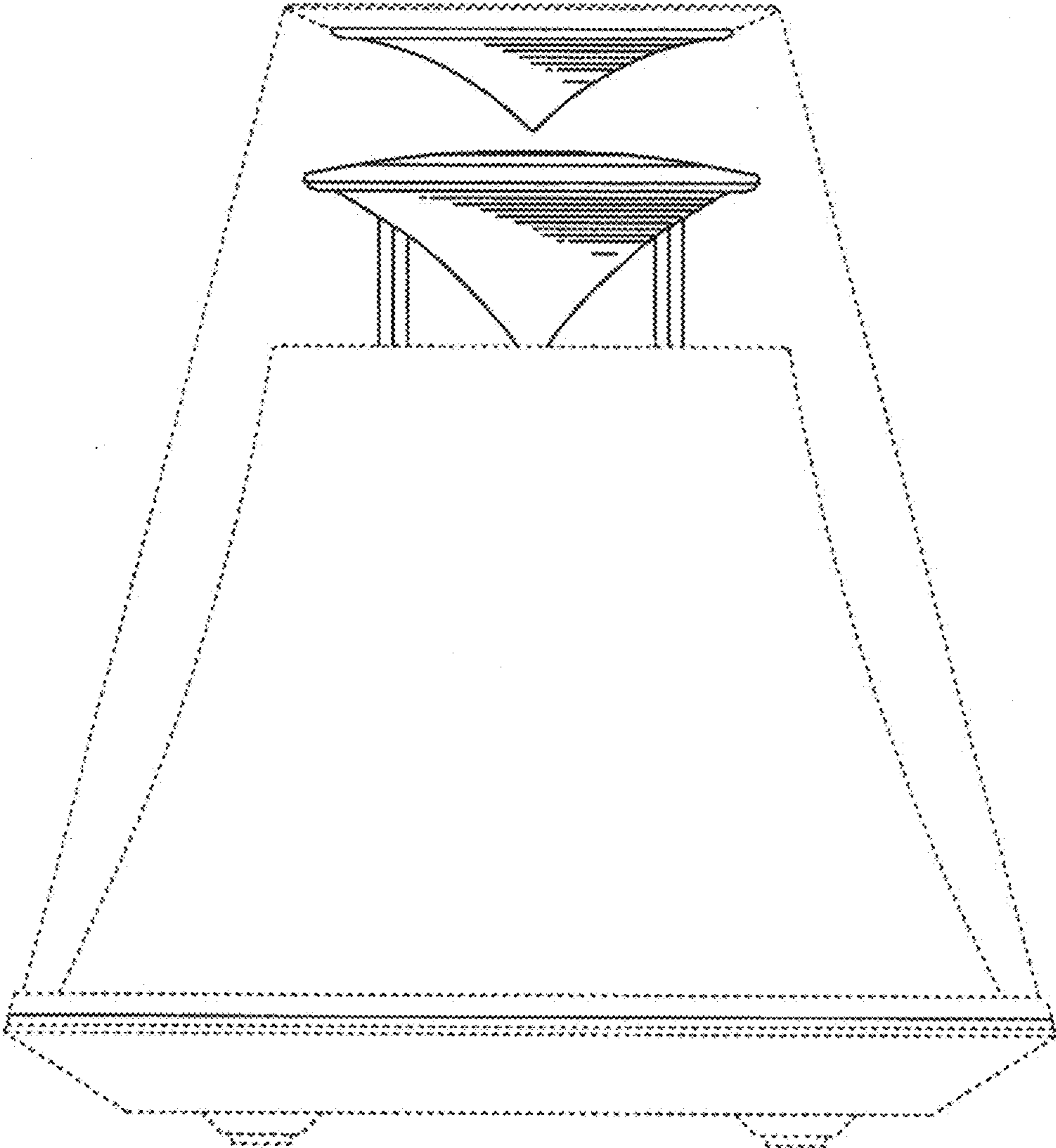


Fig. 2

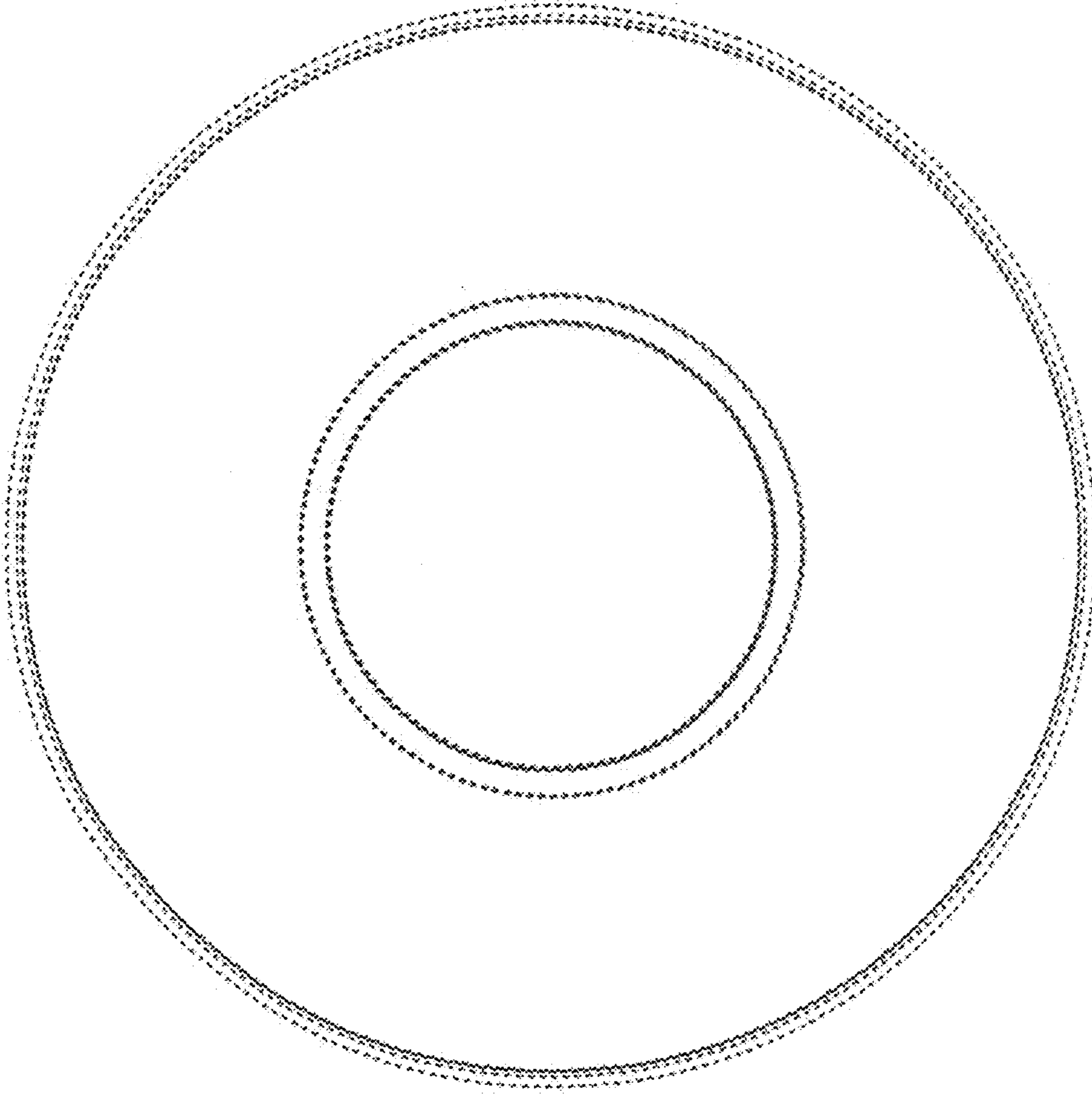


Fig. 3

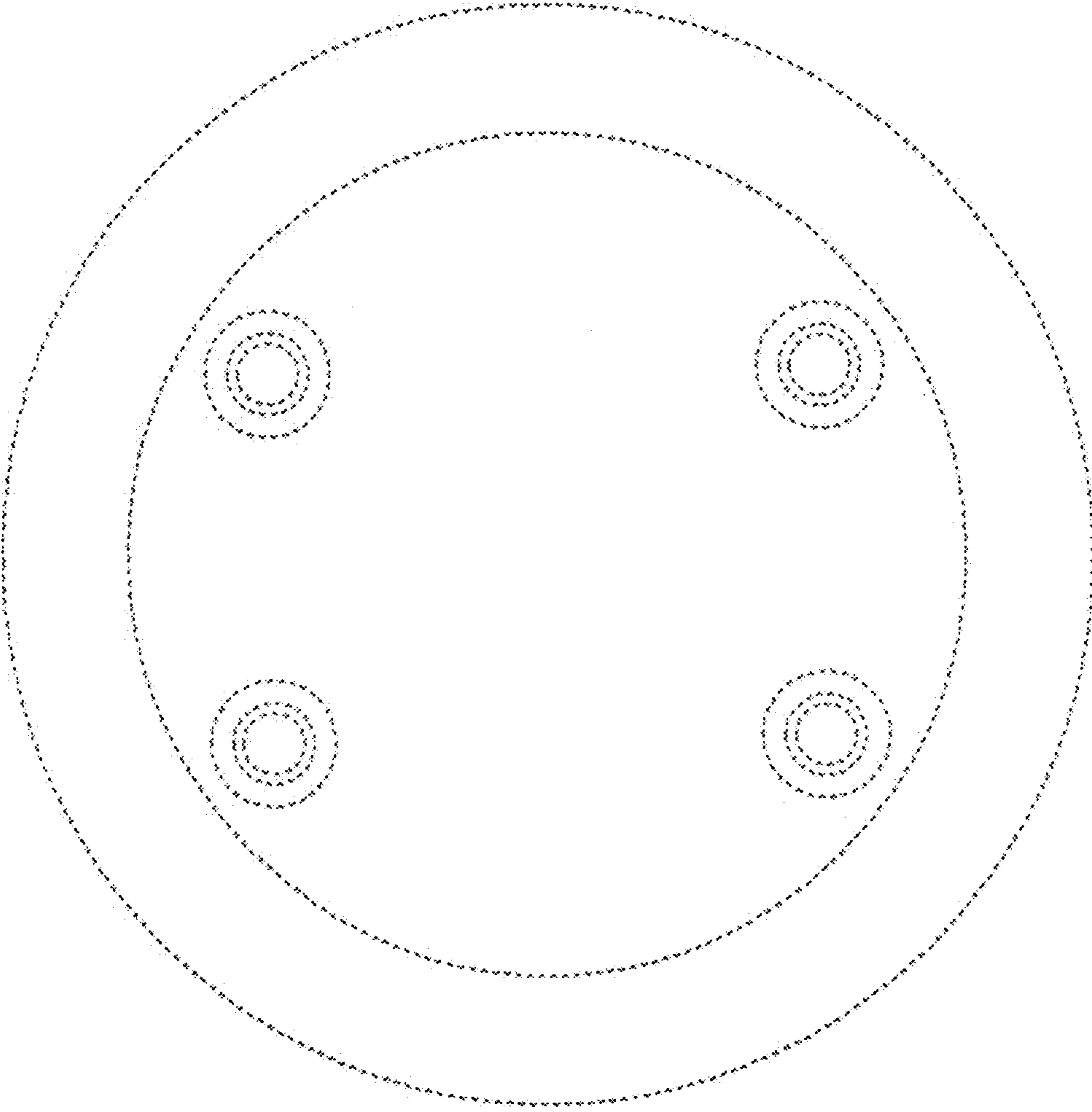


Fig. 4

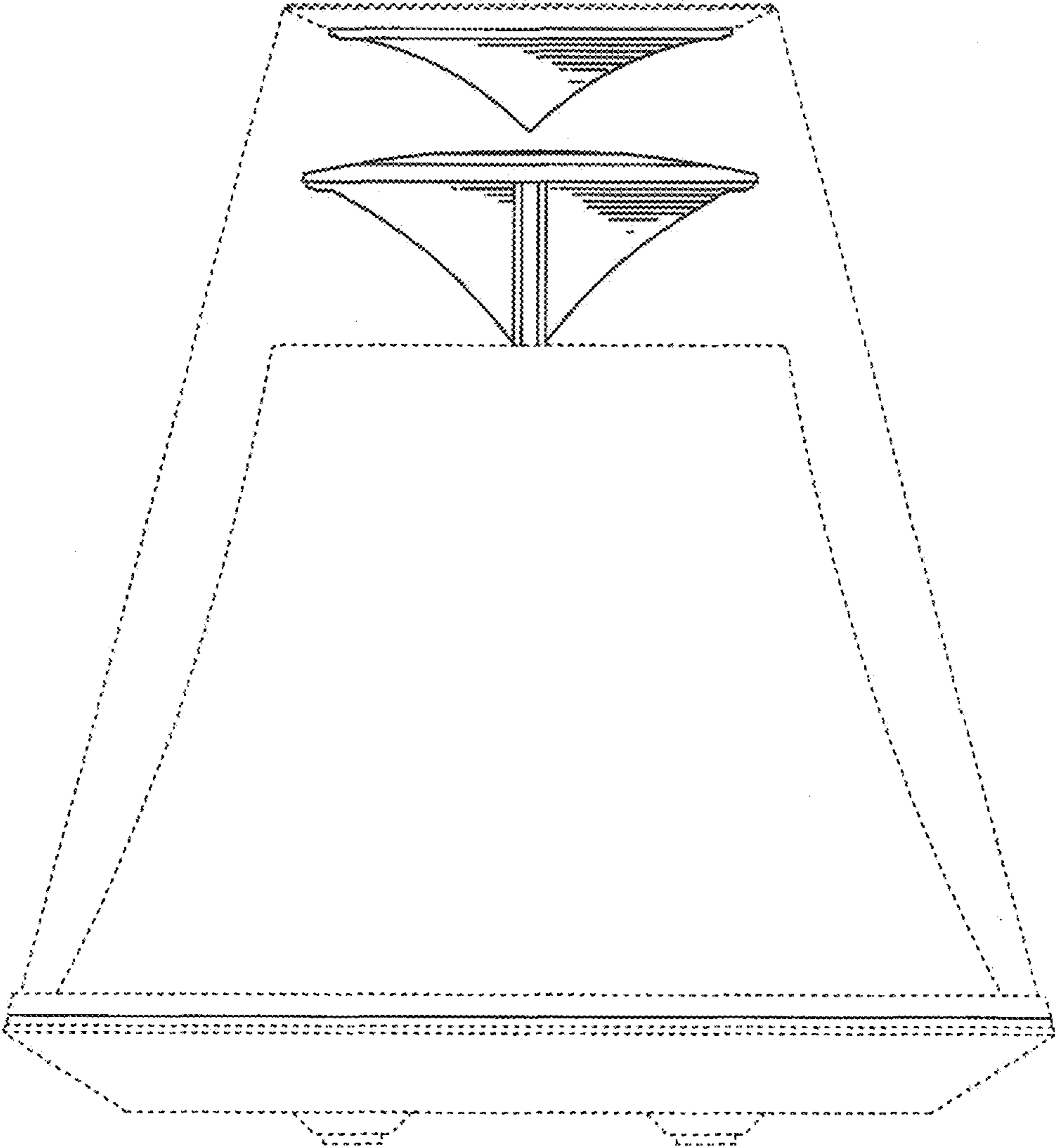


Fig. 5