



US00D780157S

(12) **United States Design Patent**  
**Ugglå**

(10) **Patent No.:** **US D780,157 S**  
(45) **Date of Patent:** **\*\* Feb. 28, 2017**

- (54) **IN EAR HEADPHONE**
- (71) Applicant: **Zound Industries International AB**,  
Stockholm (SE)
- (72) Inventor: **Carl Ugglå**, Stockholm (SE)
- (73) Assignee: **Zound Industries International AB**,  
Stockholm (SE)
- (\*\*) Term: **15 Years**
- (21) Appl. No.: **29/543,123**
- (22) Filed: **Oct. 21, 2015**
- (30) **Foreign Application Priority Data**  
Apr. 21, 2015 (EM) ..... 002686170-0002
- (51) **LOC (10) Cl.** ..... **14-01**
- (52) **U.S. Cl.**  
USPC ..... **D14/205; D14/223**
- (58) **Field of Classification Search**  
USPC ..... D14/205, 223; 181/129, 130, 135;  
379/430, 431; 381/380, 381, 321, 322,  
381/189, 384, 370, 371, 433.01;  
455/90.3, 575.1  
CPC ..... H04R 25/00; H04R 1/1016; H04R 1/10;  
H04R 1/105; H04R 5/0335  
See application file for complete search history.

- (56) **References Cited**  
**U.S. PATENT DOCUMENTS**  
1,614,987 A \* 1/1927 Langenbeck ..... H04R 25/65  
181/135  
2,148,477 A \* 2/1939 Koch ..... H04R 25/606  
181/400  
2,377,739 A \* 6/1945 Wyckoff ..... A61F 11/008  
181/132

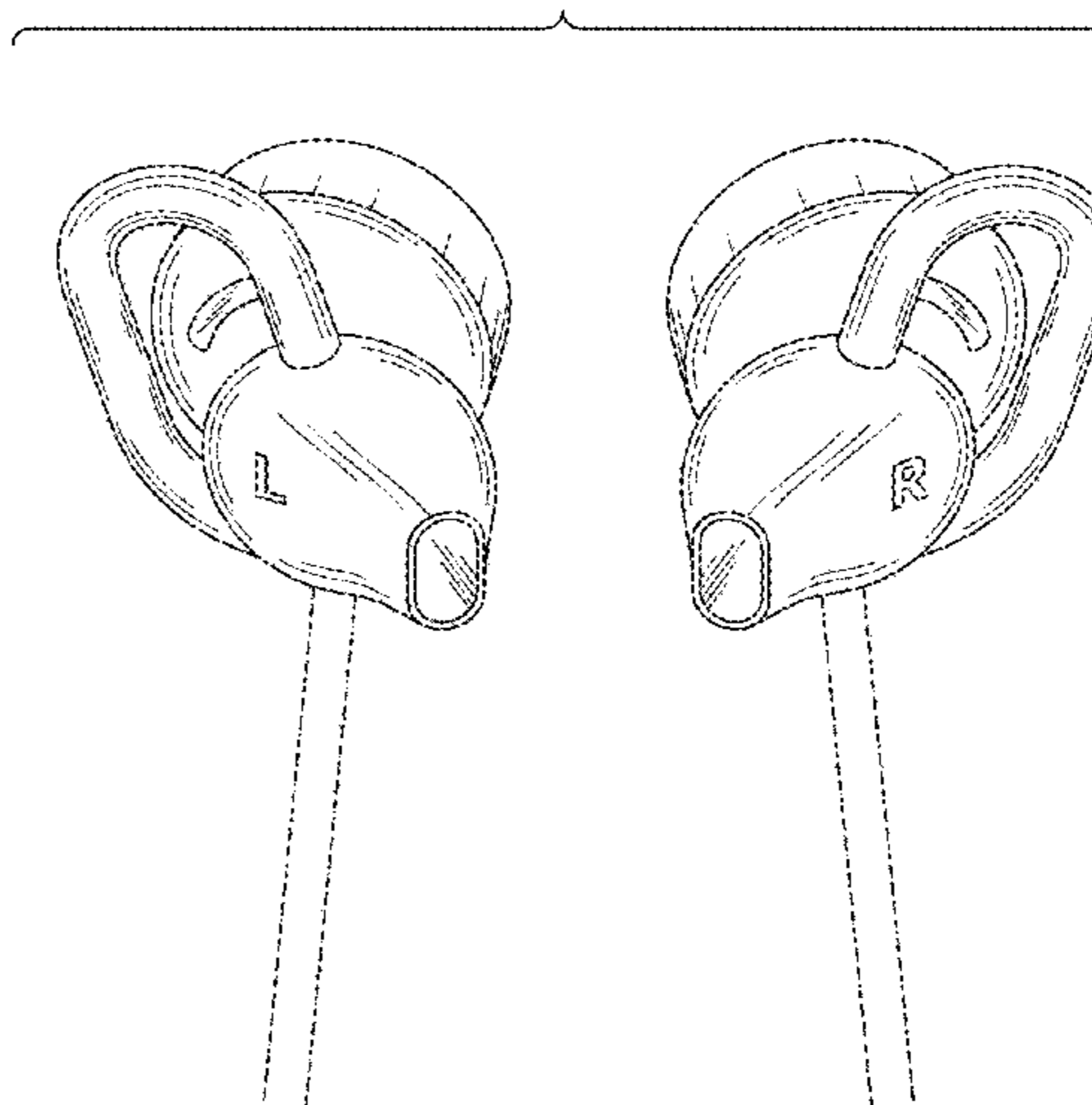
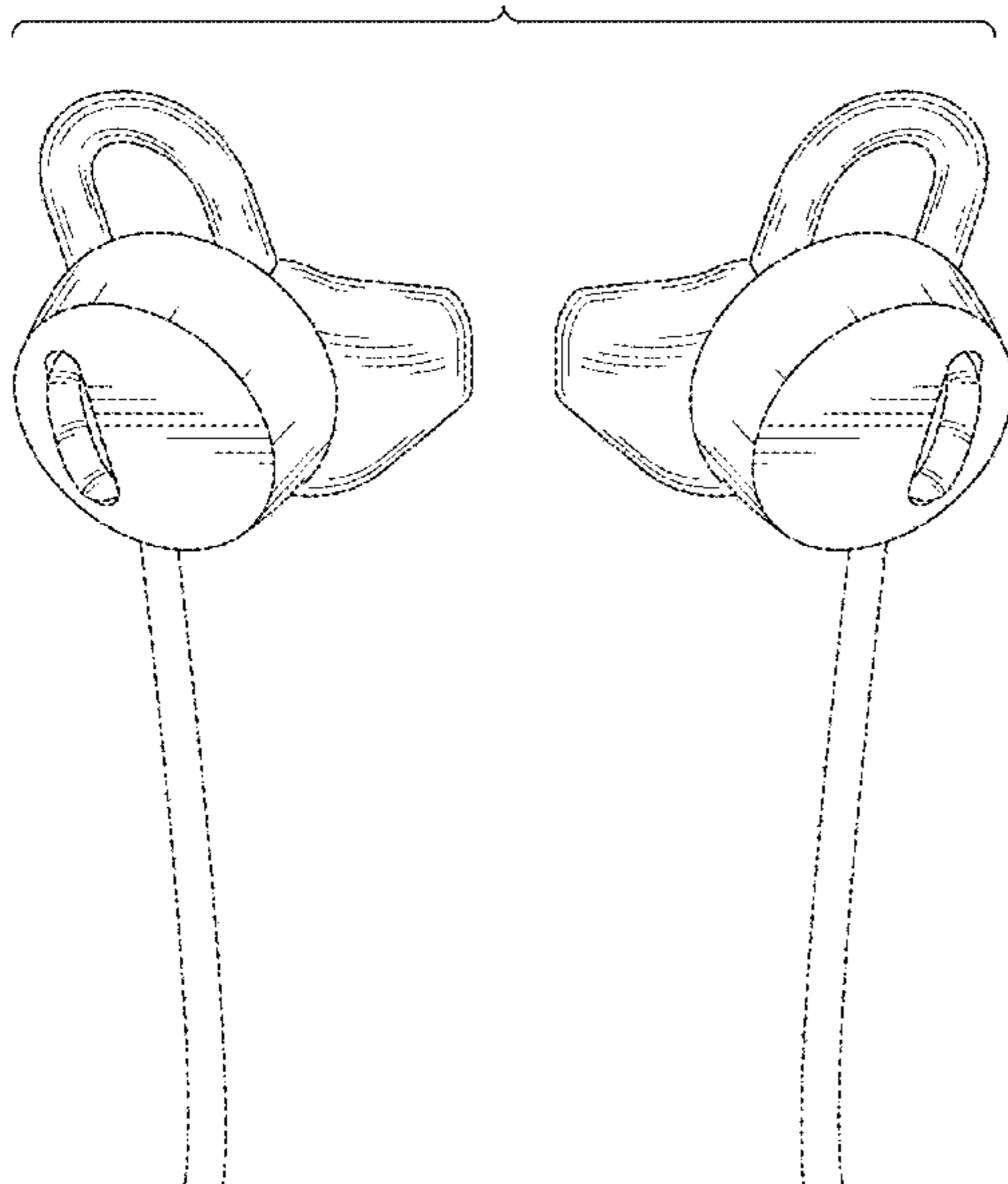
- 2,430,229 A \* 11/1947 Kelsey ..... H04R 1/1058  
181/130
- 2,501,107 A \* 3/1950 Volkmann ..... H04R 5/0335  
381/374
- 2,595,489 A \* 5/1952 Rutter ..... H04R 17/00  
381/190
- 2,656,991 A \* 10/1953 Neely ..... H02G 11/02  
174/135
- D176,810 S \* 1/1956 Norris ..... D14/192
- D177,346 S \* 4/1956 Norris ..... D14/192
- 2,971,065 A \* 2/1961 Busse ..... H04R 25/456  
381/104
- 3,440,365 A \* 4/1969 Hazell ..... H04M 1/05  
379/430
- 4,069,400 A \* 1/1978 Johanson ..... H04R 25/60  
381/322
- D266,271 S \* 9/1982 Johanson ..... D24/174  
(Continued)

*Primary Examiner* — Paula Greene  
(74) *Attorney, Agent, or Firm* — Alonzo & Associates;  
Arlyn Alonzo

(57) **CLAIM**  
The ornamental design for an in ear headphone, as shown  
and described.

**DESCRIPTION**  
FIG. 1 is a back view of an exemplary in ear headphone.  
FIG. 2 is a front view thereof.  
FIG. 3 is a right side view thereof.  
FIG. 4 is a left side view thereof.  
FIG. 5 is a bottom view thereof.  
FIG. 6 is a top view thereof;  
FIG. 7 is a perspective back view thereof; and,  
FIG. 8 is a perspective front view thereof.  
The design is an in ear headphone.  
The broken lines depict environment and form no part of the  
claimed design.

**1 Claim, 7 Drawing Sheets**



(56)

References Cited

U.S. PATENT DOCUMENTS

4,384,688 A \* 5/1983 Smith ..... B65H 75/4434  
191/12.2 R  
D279,186 S \* 6/1985 Tung ..... D10/31  
4,539,708 A \* 9/1985 Norris ..... H04B 1/088  
455/100  
4,585,089 A \* 4/1986 Topholm ..... H04R 25/65  
181/130  
4,588,867 A \* 5/1986 Konomi ..... H04R 1/46  
379/430  
D287,764 S \* 1/1987 Topholm ..... D24/174  
D287,765 S \* 1/1987 Topholm ..... D24/174  
4,802,638 A \* 2/1989 Burger ..... B65H 75/143  
242/388.1  
D321,881 S \* 11/1991 Hopewell ..... D14/192  
5,410,608 A \* 4/1995 Lucey ..... H04R 1/083  
381/360  
5,422,957 A \* 6/1995 Cummins ..... B65H 75/4431  
381/384  
D383,757 S \* 9/1997 Dobrusskin ..... D14/223  
5,812,680 A \* 9/1998 Glendon ..... H04R 25/60  
381/322  
5,832,098 A \* 11/1998 Chen ..... H04M 1/05  
381/370  
D457,154 S \* 5/2002 Ng ..... D14/192  
6,480,611 B2 \* 11/2002 Hashimoto ..... H04R 1/1033  
381/371  
D467,895 S \* 12/2002 Hirano ..... D14/192  
D469,755 S \* 2/2003 Hlas ..... D14/223  
D470,122 S \* 2/2003 Hlas ..... D14/205  
D470,123 S \* 2/2003 Hlas ..... D14/205  
D481,709 S \* 11/2003 Solderits ..... D14/223  
D482,022 S \* 11/2003 Nakano ..... D14/223  
6,690,807 B1 \* 2/2004 Meyer ..... G02C 5/143  
2/12  
D505,132 S \* 5/2005 Linville ..... D14/223

D505,411 S \* 5/2005 Sakai ..... D14/192  
D529,901 S \* 10/2006 Ohta ..... D14/223  
D543,972 S \* 6/2007 Taylor ..... D14/223  
D569,841 S \* 5/2008 Chung ..... D14/205  
7,372,974 B2 \* 5/2008 Yanagishita ..... H04R 1/1033  
381/370  
D578,507 S \* 10/2008 Ando ..... D14/205  
D587,681 S \* 3/2009 Yanai ..... D14/205  
D588,111 S \* 3/2009 Komiyama ..... D14/223  
D603,380 S \* 11/2009 Hutchieson ..... D14/223  
D642,163 S \* 7/2011 Lee ..... D14/223  
D654,056 S \* 2/2012 Hoggarth ..... D14/205  
D666,581 S \* 9/2012 Perez ..... D14/223  
D668,632 S \* 10/2012 Enquist ..... D14/205  
D674,904 S \* 1/2013 Aunio ..... D14/223  
D678,242 S \* 3/2013 Von Euler ..... D14/205  
D680,102 S \* 4/2013 Chen ..... D14/223  
D685,761 S \* 7/2013 Fletcher ..... D14/205  
D685,764 S \* 7/2013 Coulter ..... D14/205  
D687,410 S \* 8/2013 Fletcher ..... D14/205  
D699,226 S \* 2/2014 Yoon ..... D14/206  
D703,634 S \* 4/2014 Han ..... D14/205  
D711,356 S \* 8/2014 Yang ..... D14/223  
D719,131 S \* 12/2014 Toelle ..... D14/205  
D719,132 S \* 12/2014 Toelle ..... D14/205  
D732,509 S \* 6/2015 Brunner ..... D14/223  
D743,370 S \* 11/2015 Toelle ..... D14/205  
D743,932 S \* 11/2015 Toelle ..... D14/205  
2003/0174853 A1 \* 9/2003 Howes ..... H04R 1/083  
381/370  
2006/0214044 A1 \* 9/2006 Chiang ..... B65H 75/4434  
242/378  
2007/0058201 A1 \* 3/2007 Ike ..... H04N 1/405  
358/3.06  
2011/0176700 A1 \* 7/2011 Hashimoto ..... H04R 1/1016  
381/380  
2011/0249856 A1 \* 10/2011 Takei ..... H04R 1/1016  
381/380

\* cited by examiner

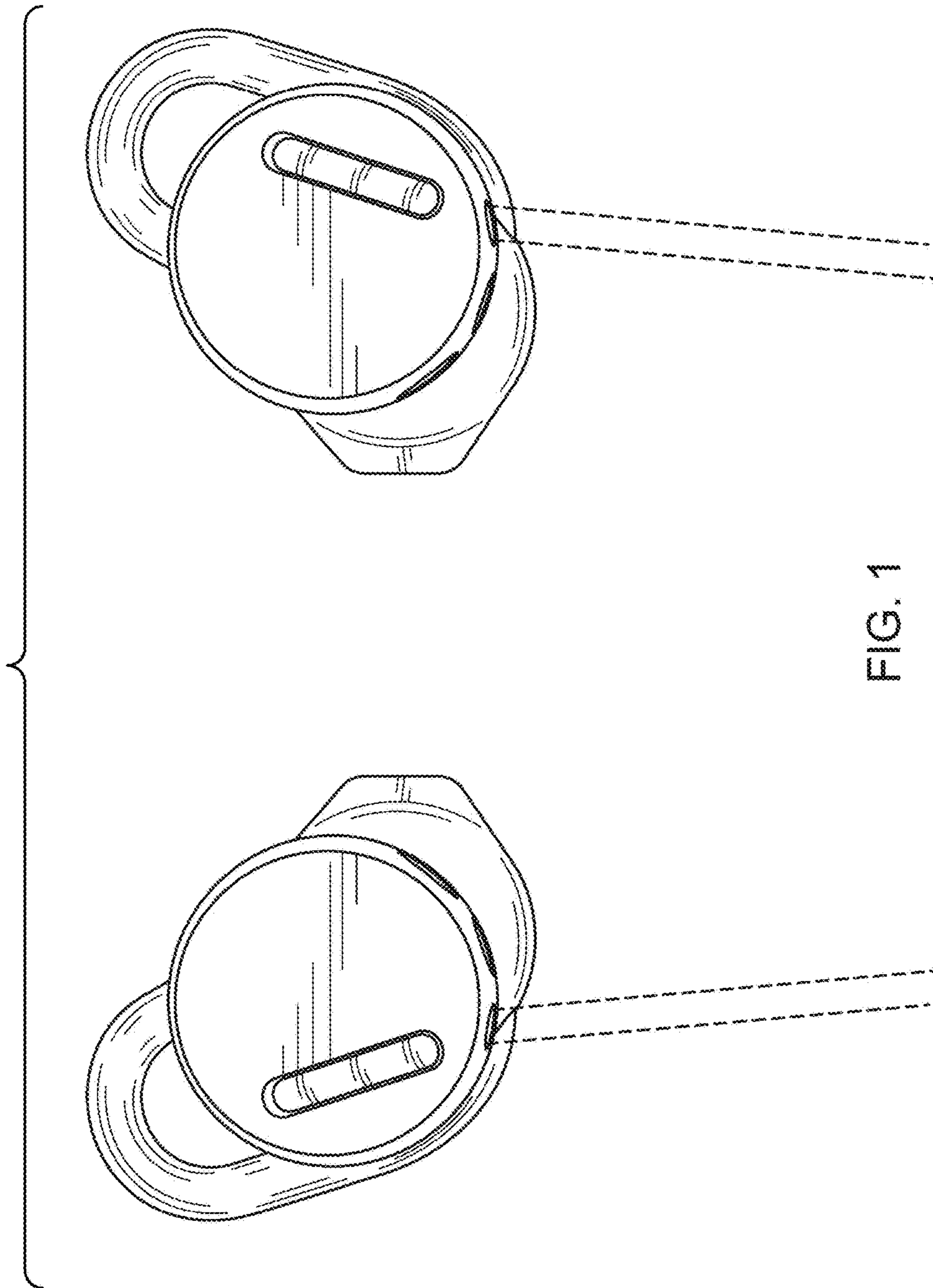


FIG. 1



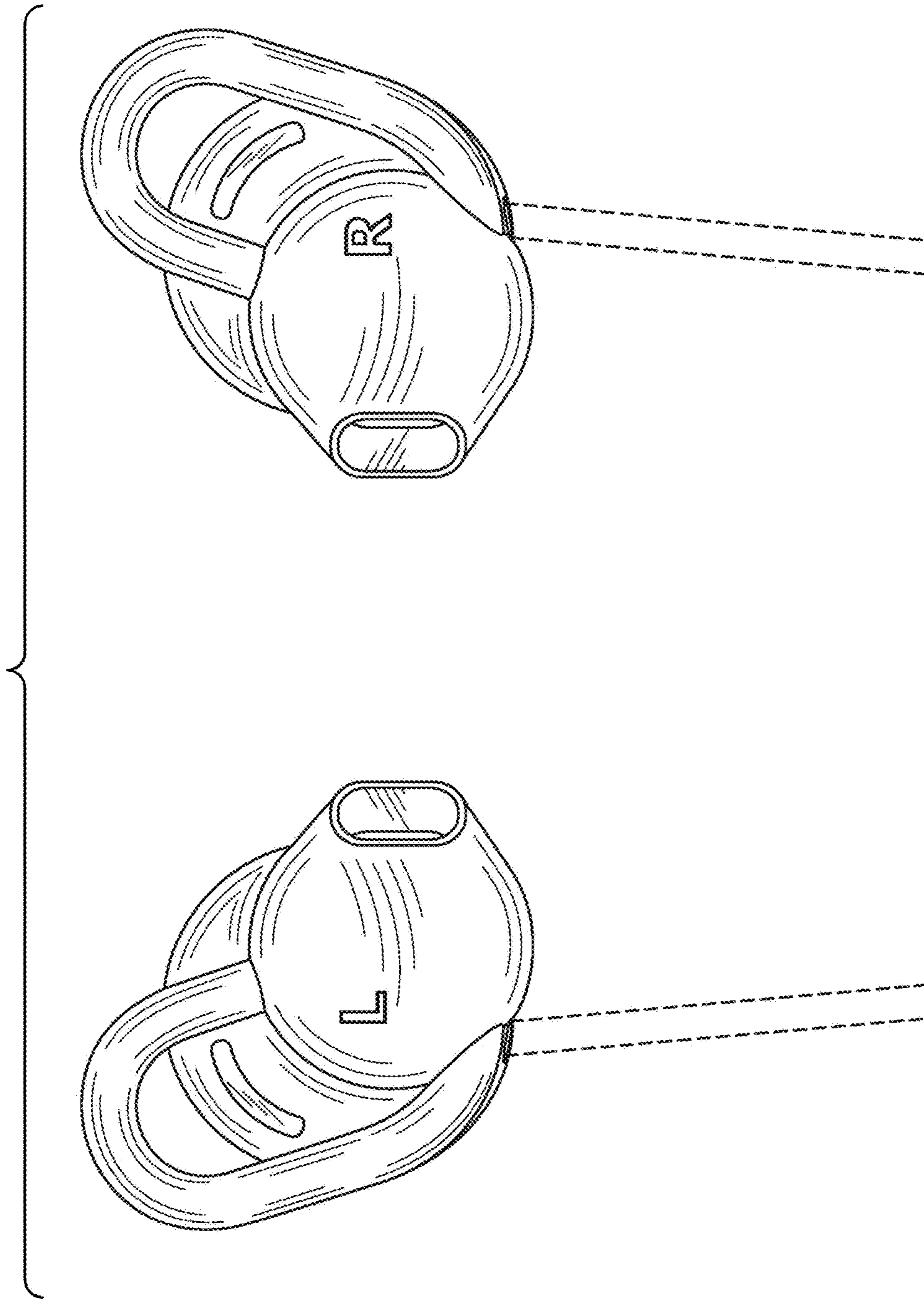


FIG. 2

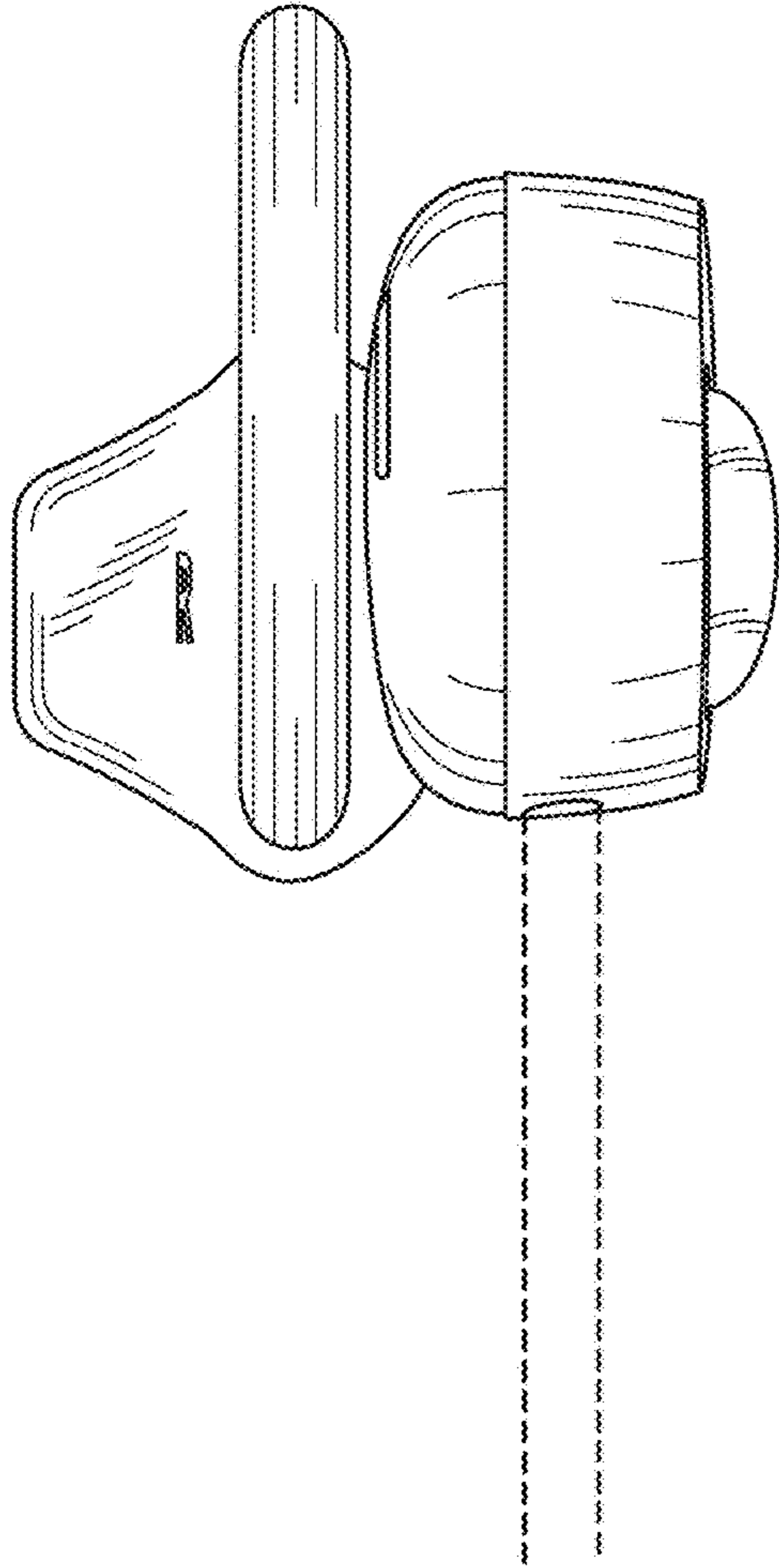


FIG. 3

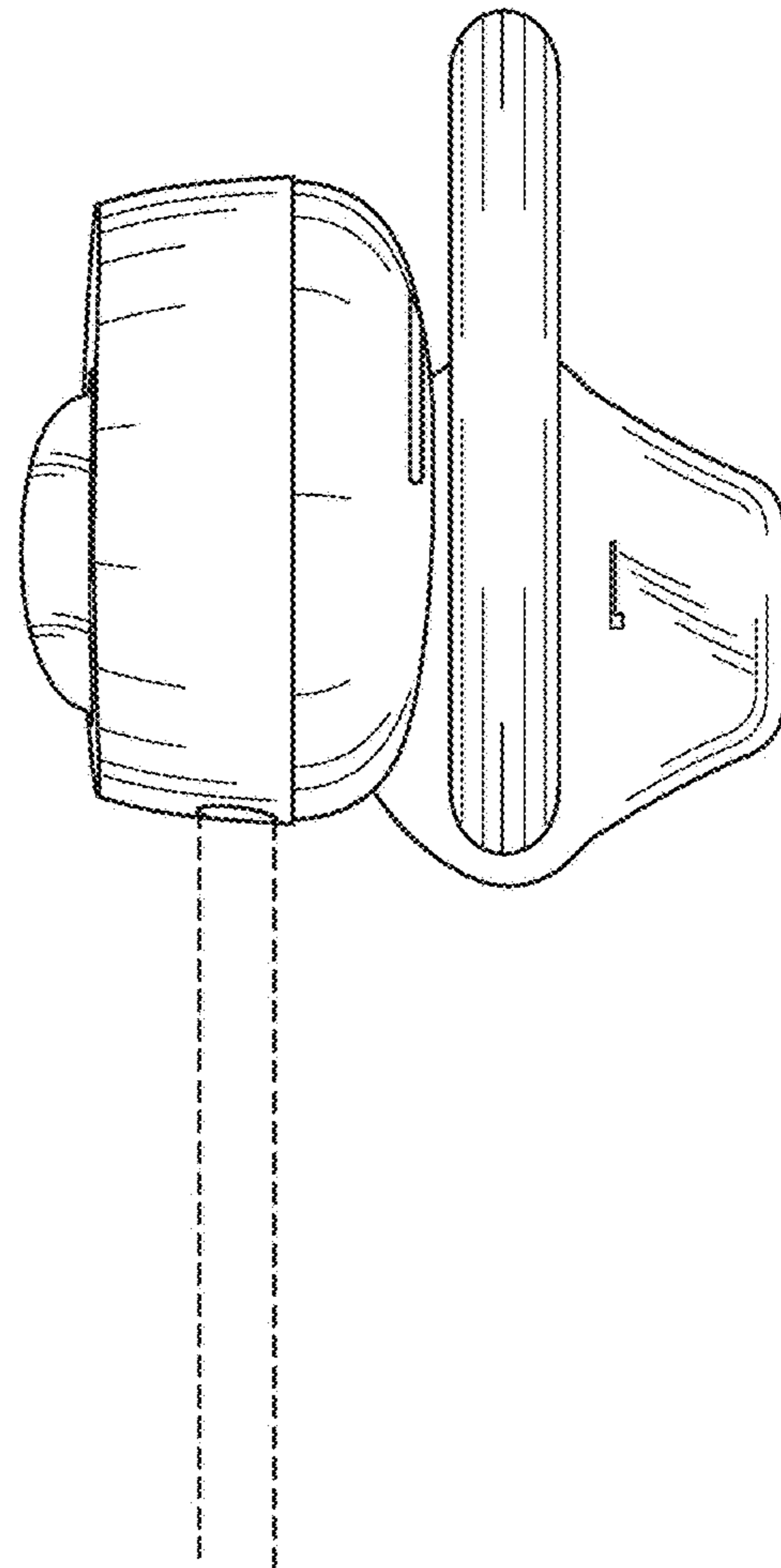


FIG. 4

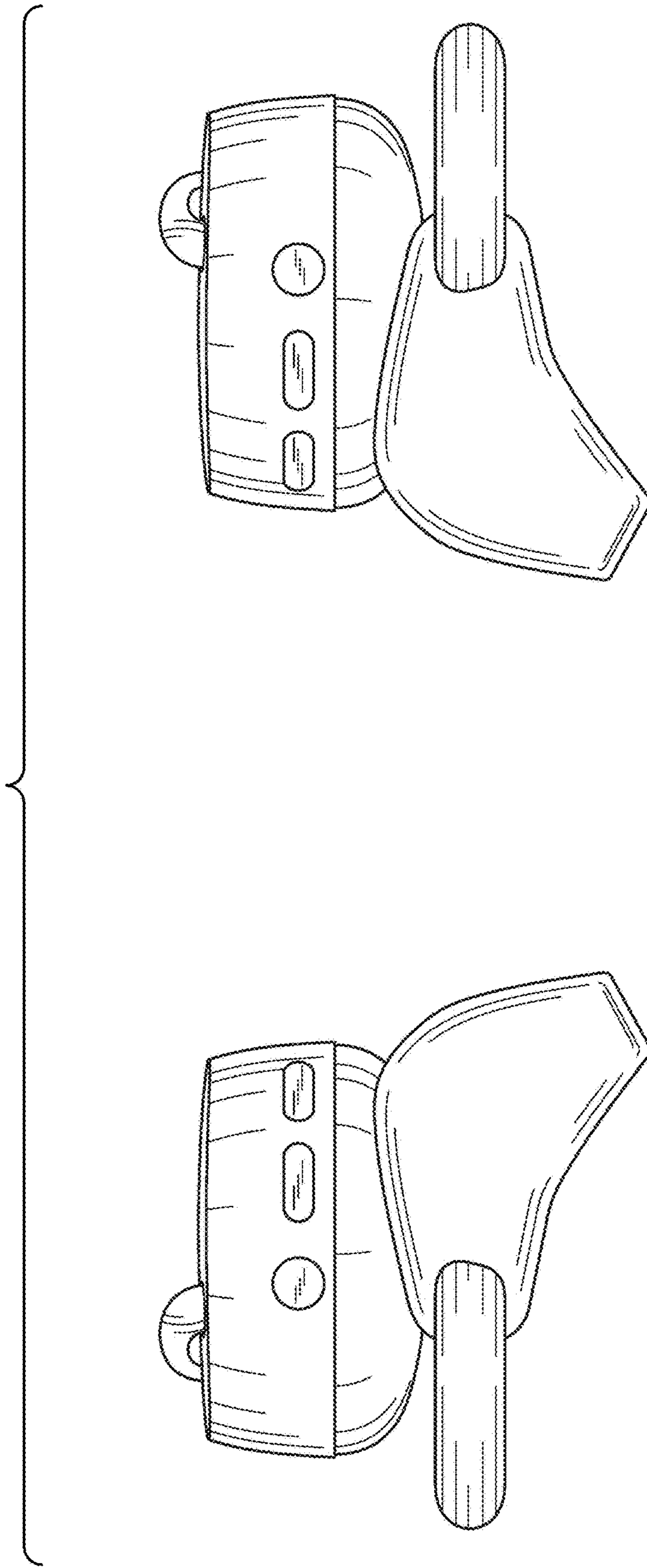


FIG. 5

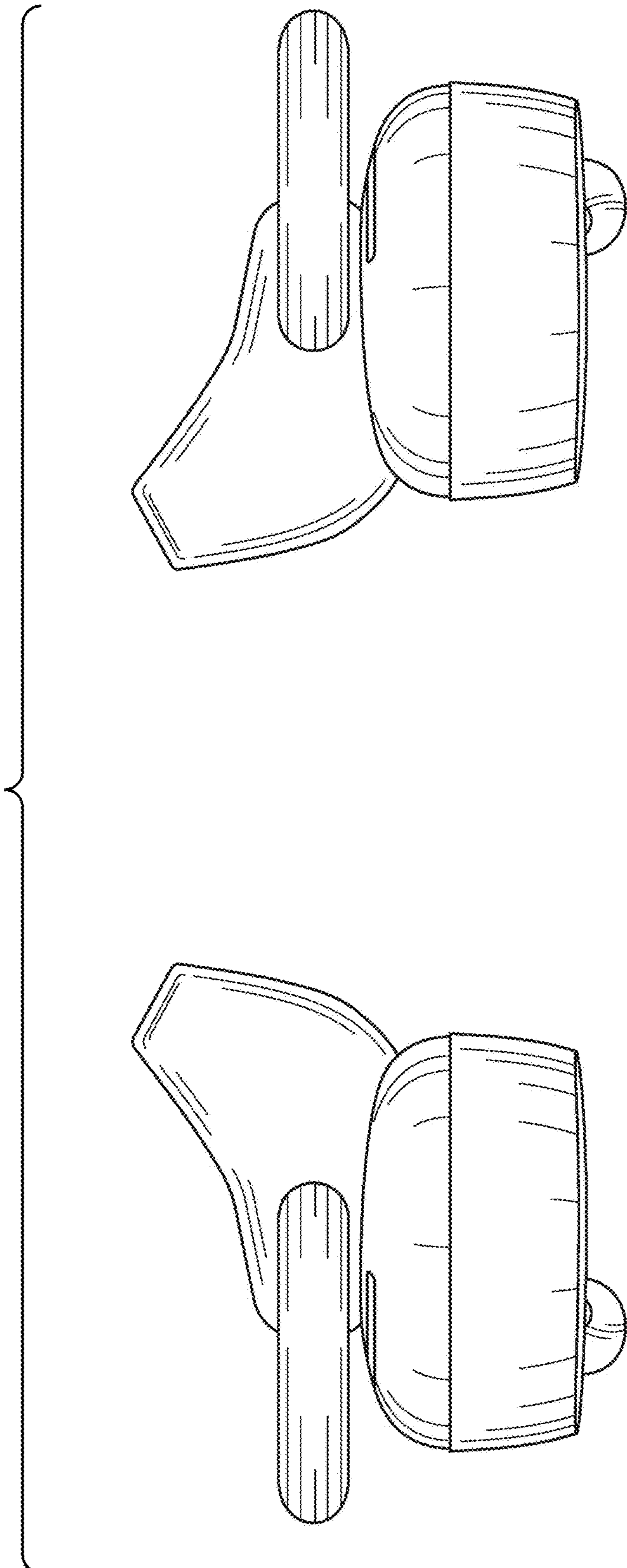
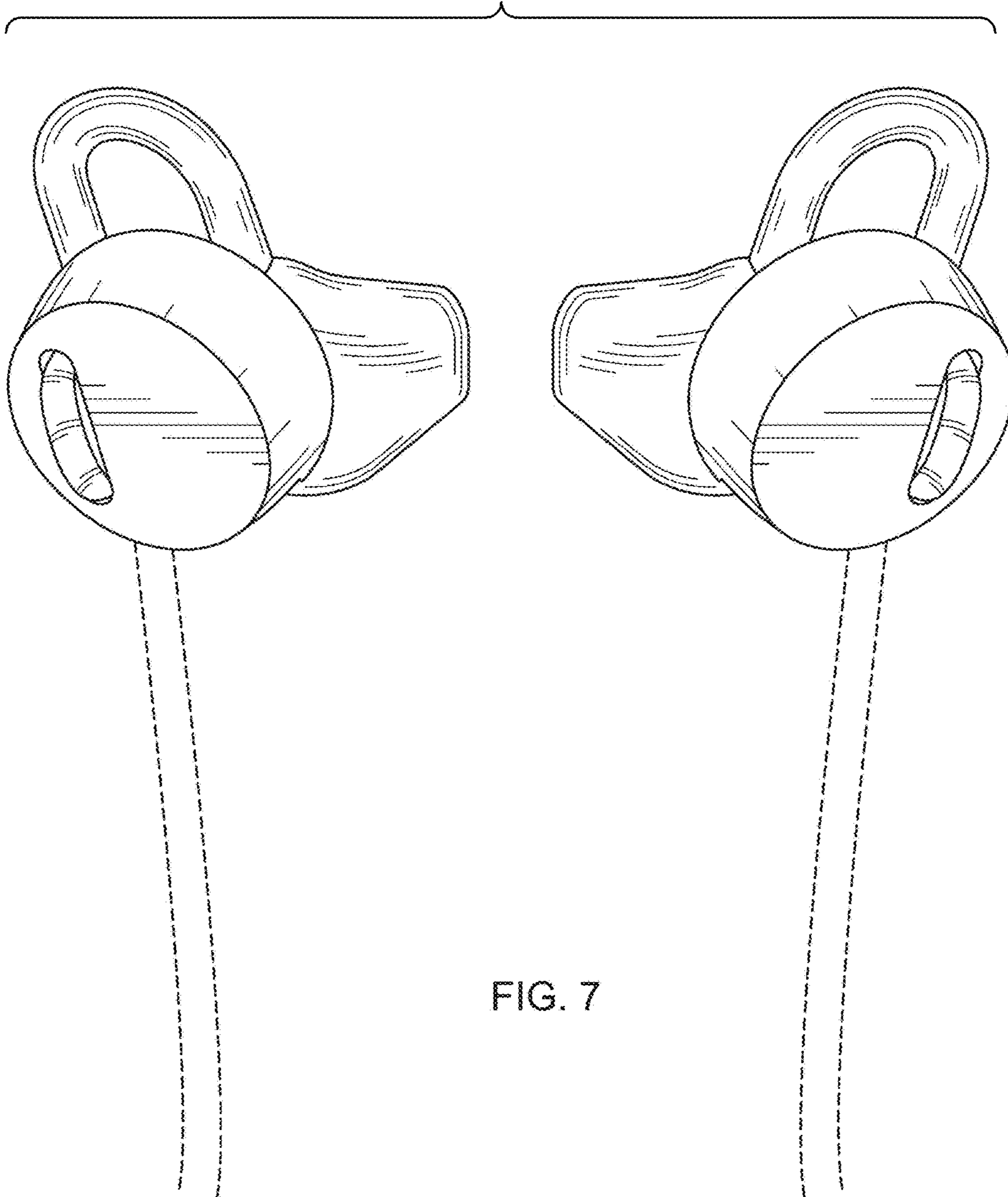


FIG. 6





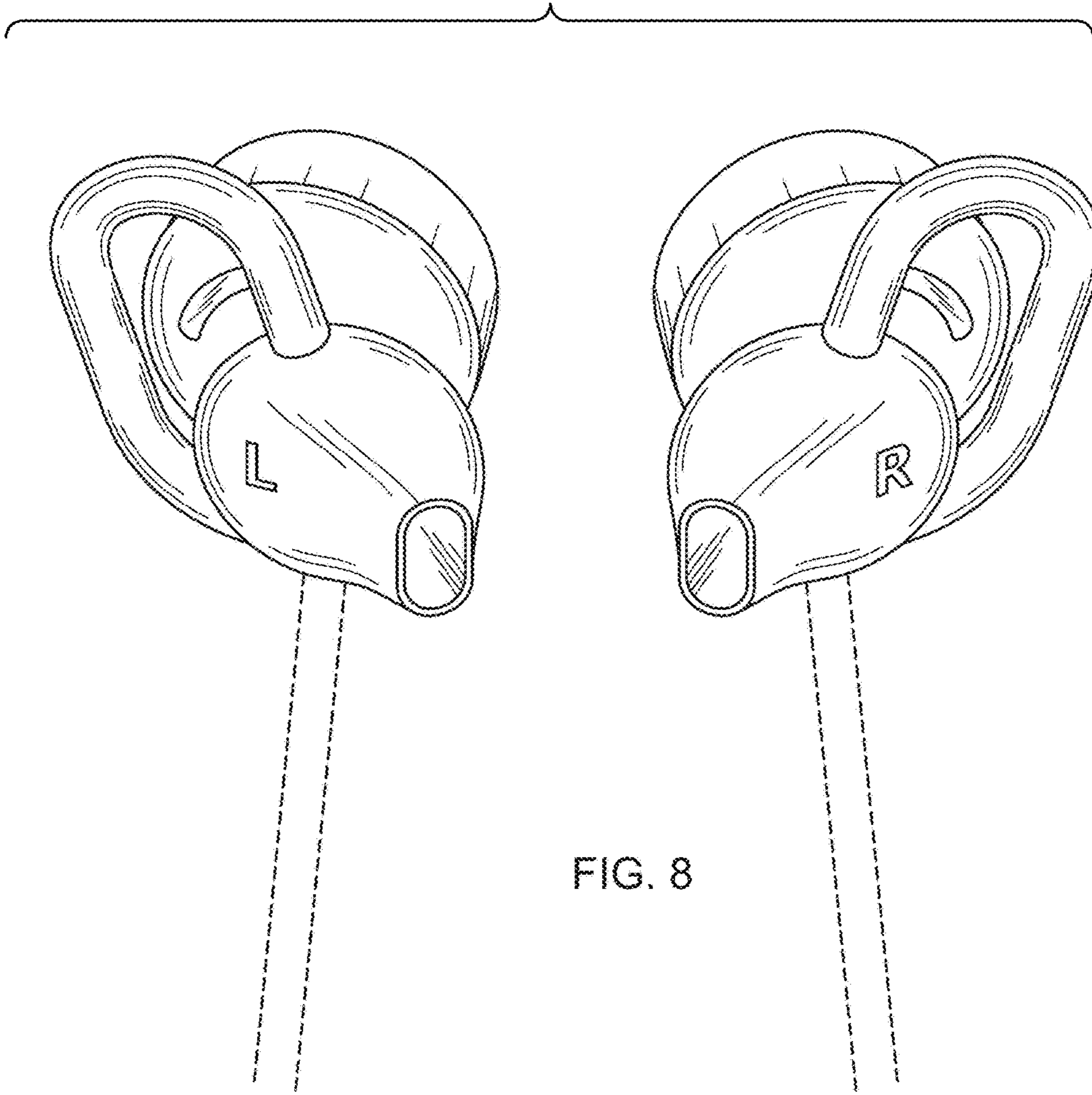


FIG. 8