

US00D780156S

(12) **United States Design Patent**  
**Petersen**

(10) **Patent No.:** **US D780,156 S**

(45) **Date of Patent:** **\*\* Feb. 28, 2017**

- (54) **OVER EAR HEADPHONE**
- (71) Applicant: **Zound Industries International AB**,  
Stockholm (SE)
- (72) Inventor: **Erik Petersen**, Stockholm (SE)
- (73) Assignee: **Zound Industries International AB**,  
Stockholm (SE)
- (\*\*) Term: **15 Years**
- (21) Appl. No.: **29/543,119**
- (22) Filed: **Oct. 21, 2015**
- (30) **Foreign Application Priority Data**  
Apr. 21, 2015 (EM) ..... 0026861700-0001
- (51) **LOC (10) Cl.** ..... **14-01**
- (52) **U.S. Cl.**  
USPC ..... **D14/205**
- (58) **Field of Classification Search**  
USPC ..... D14/205; 181/129, 130, 135; 379/430,  
379/431; 381/380, 381; 455/90.3, 575.1;  
D29/112; 2/209  
CPC ..... H04R 1/1066; H04R 25/00; H04R 1/10;  
H04R 1/105; H04R 1/1016  
See application file for complete search history.

- (56) **References Cited**  
U.S. PATENT DOCUMENTS  
2,437,049 A \* 3/1948 Salisbury ..... A61F 11/14  
128/866  
D246,519 S \* 11/1977 Kato ..... D14/205  
D254,183 S \* 2/1980 Doodson ..... D14/205  
D270,634 S \* 9/1983 Ungar ..... D14/205  
D291,198 S \* 8/1987 Bellini ..... D14/205

- 4,689,822 A \* 8/1987 Houng ..... H04R 1/1066  
381/371
- D291,690 S \* 9/1987 Tabachnik ..... D14/205
- 5,018,599 A \* 5/1991 Dohi ..... H04R 1/1008  
181/129
- D351,172 S \* 10/1994 Nakamura ..... D14/205
- 5,406,037 A \* 4/1995 Nageno ..... H04R 5/0335  
181/129
- 5,574,795 A \* 11/1996 Seki ..... H04R 5/0335  
381/370
- D519,110 S \* 4/2006 Komiyama ..... D14/223
- D519,497 S \* 4/2006 Komiyama ..... D14/223
- D633,896 S \* 3/2011 Kondo ..... D14/205
- D683,329 S \* 5/2013 Hagelin ..... D14/205
- D684,140 S \* 6/2013 Enquist ..... D14/205
- D707,200 S \* 6/2014 Yang ..... D14/205
- D733,090 S \* 6/2015 Petersen ..... D14/205
- D750,041 S \* 2/2016 Birger ..... D14/205
- D758,991 S \* 6/2016 Petersen ..... D14/205
- D763,226 S \* 8/2016 Petersen ..... D14/205

(Continued)

*Primary Examiner* — Paula Greene  
(74) *Attorney, Agent, or Firm* — Alonzo & Associates;  
Arlyn Alonzo

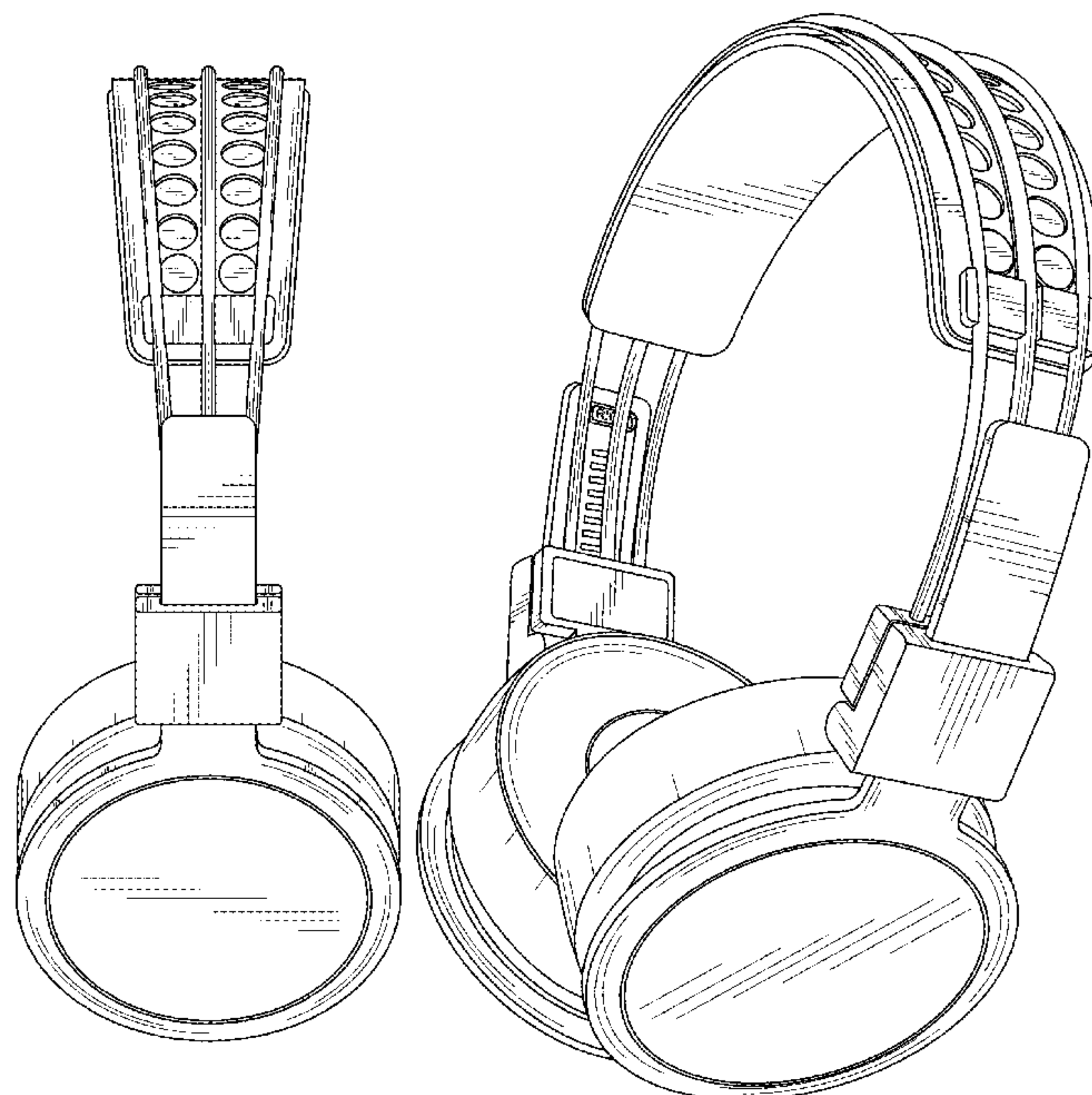
(57) **CLAIM**

The ornamental design for an over ear headphone, as shown and described.

**DESCRIPTION**

FIG. 1 is a front view of an exemplary over ear headphone.  
FIG. 2 is a back view thereof.  
FIG. 3 is a left side view thereof.  
FIG. 4 is a right side view thereof.  
FIG. 5 is a bottom view thereof.  
FIG. 6 is a top view thereof; and,  
FIG. 7 is a perspective view thereof.  
The design is an over ear headphone comprising a headband.

**1 Claim, 7 Drawing Sheets**



(56)

**References Cited**

U.S. PATENT DOCUMENTS

2006/0104471 A1\* 5/2006 Tsunoda ..... H04R 1/1041  
381/374

\* cited by examiner

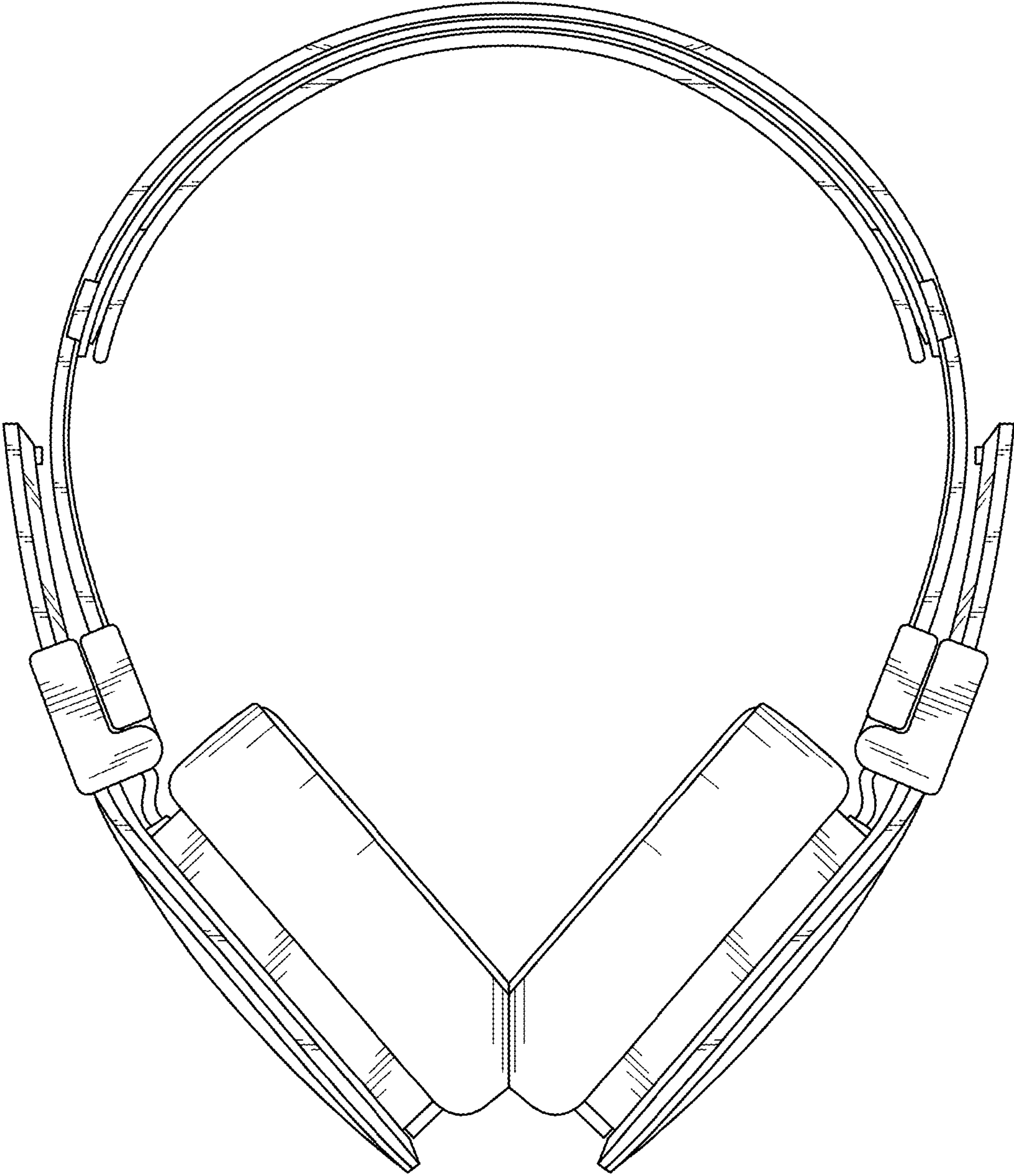


FIG. 1

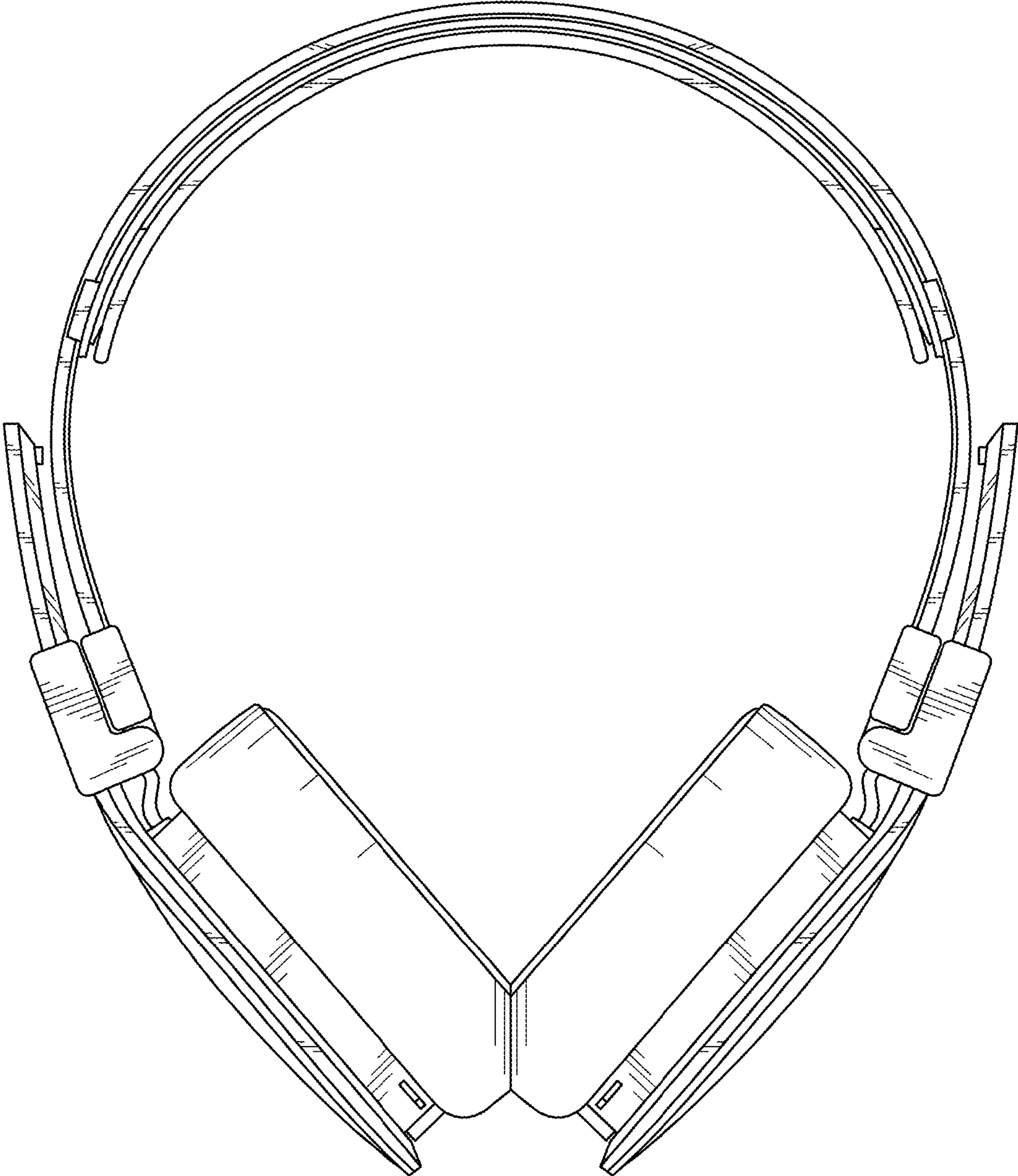


FIG. 2



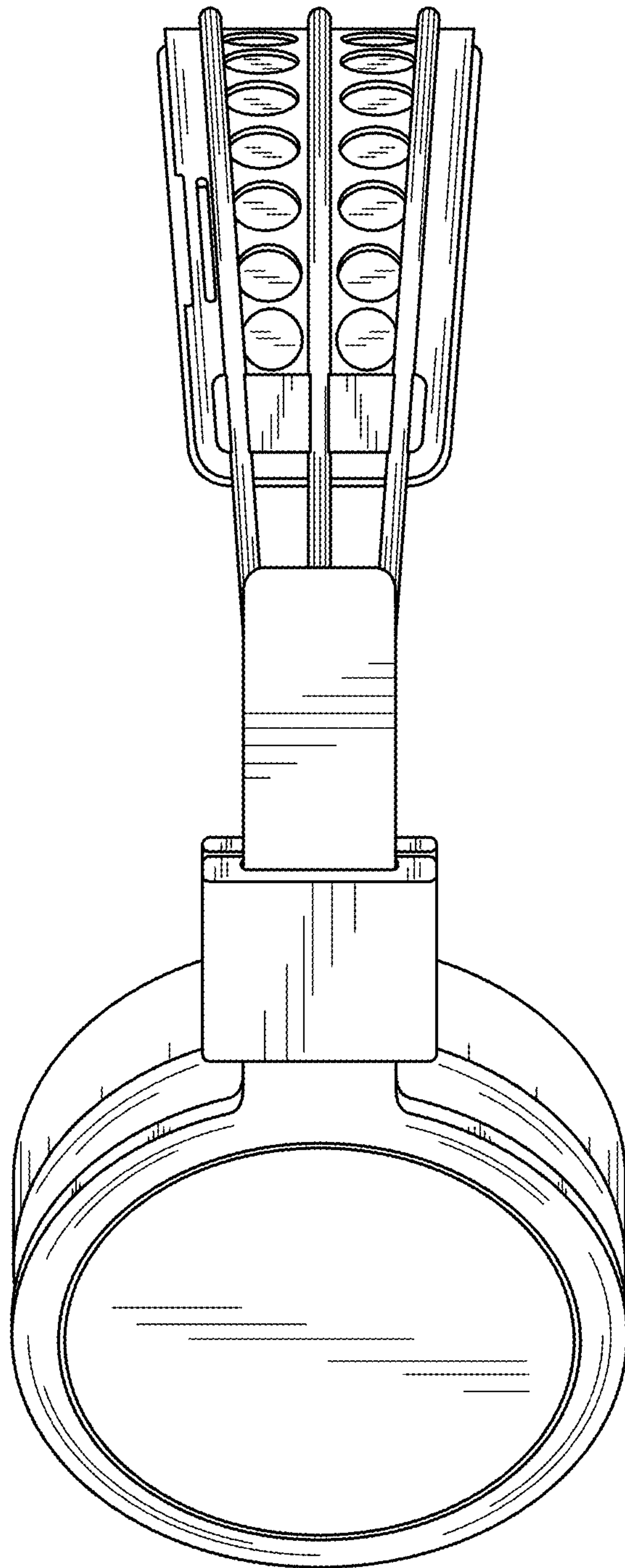


FIG. 3

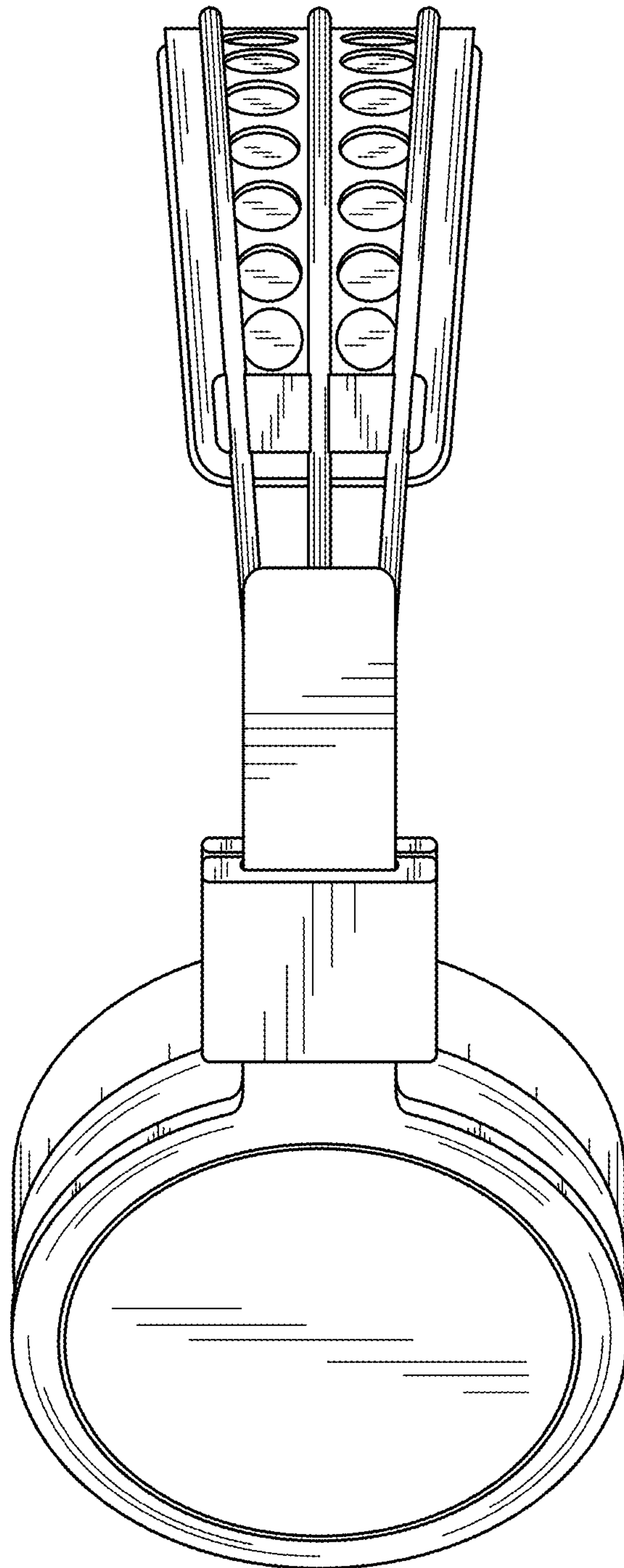


FIG. 4

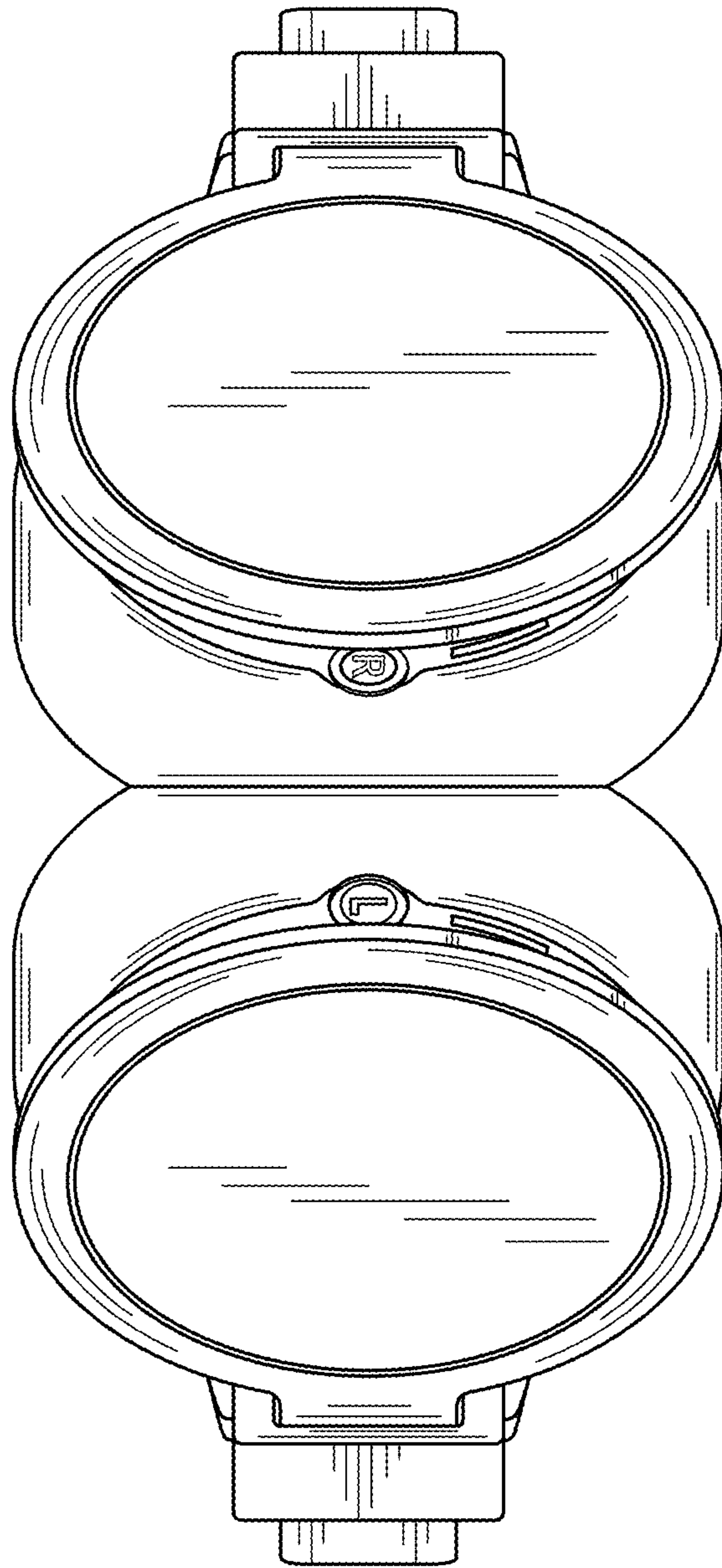


FIG. 5

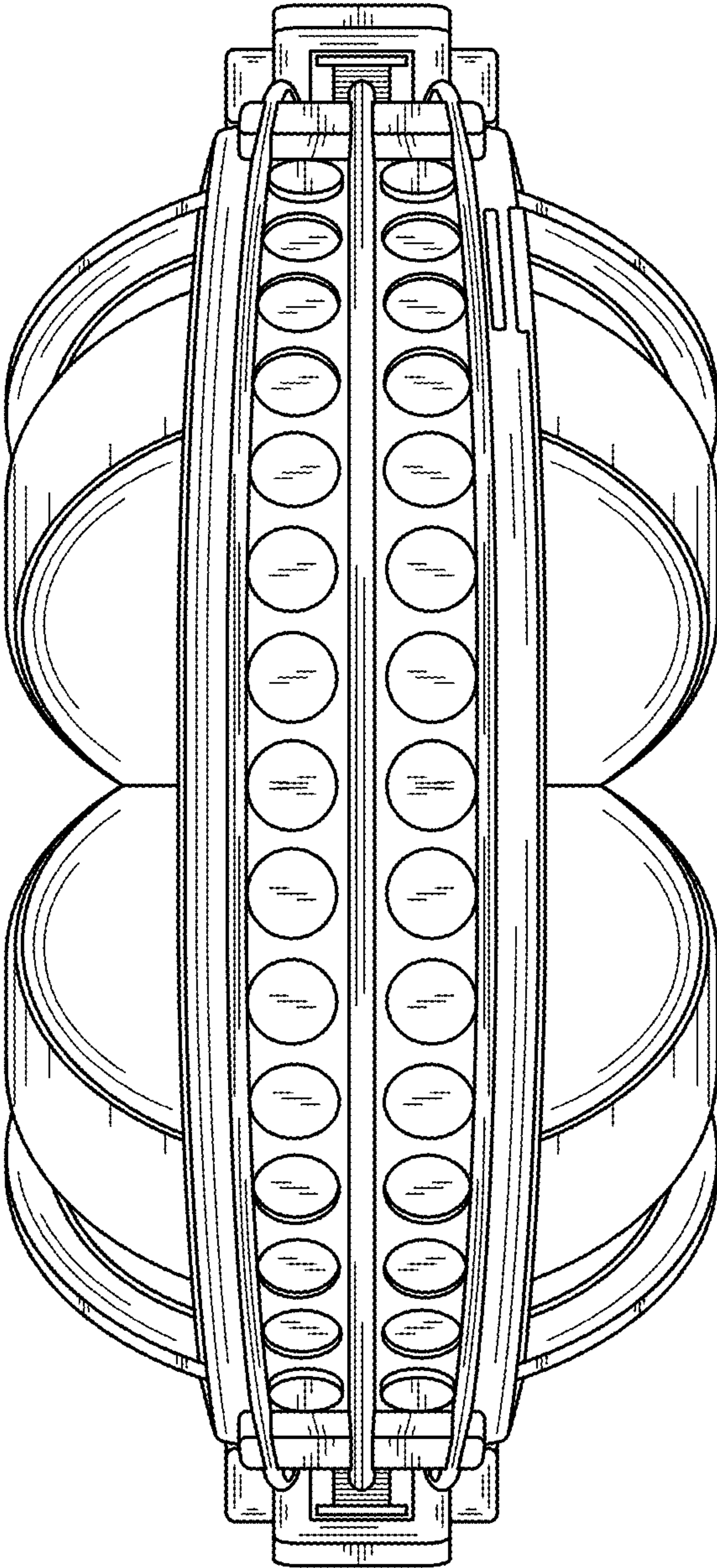


FIG. 6



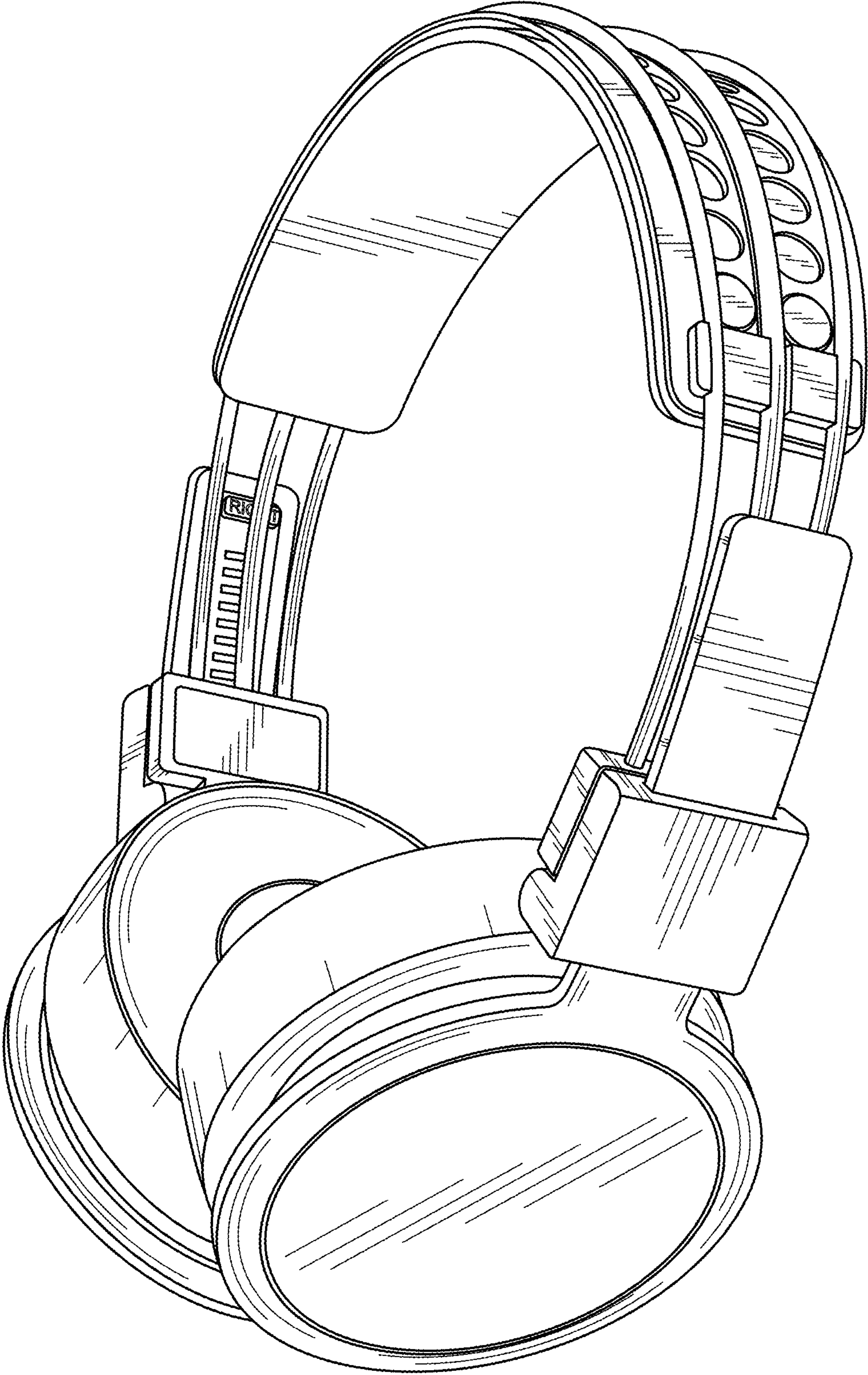


FIG. 7