



US00D780154S

(12) **United States Design Patent**
Jaynes

(10) **Patent No.:** **US D780,154 S**

(45) **Date of Patent:** **** *Feb. 28, 2017**

(54) **HEADPHONE**

DESCRIPTION

(71) Applicant: **Stephen R. Jaynes**, Pleasant Grove, UT (US)

(72) Inventor: **Stephen R. Jaynes**, Pleasant Grove, UT (US)

(73) Assignee: **Wicked Audio, Inc.**, Lindon, UT (US)

(*) Notice: This patent is subject to a terminal disclaimer.

(**) Term: **14 Years**

(21) Appl. No.: **29/469,760**

(22) Filed: **Oct. 14, 2013**

(51) **LOC (10) Cl.** **14-01**

(52) **U.S. Cl.**
USPC **D14/205**

(58) **Field of Classification Search**
USPC D14/205, 223; 181/129, 130, 135;
379/430, 431; 381/380, 381; 455/90.3,
(Continued)

(56) **References Cited**

U.S. PATENT DOCUMENTS

1,852,130 A * 4/1932 Schier 381/380
2,474,135 A 6/1949 White
(Continued)

FOREIGN PATENT DOCUMENTS

JP 2006-086980 A 3/2006
WO WO 98/49867 11/1998
WO WO 2007/053743 A2 5/2007

Primary Examiner — Paula Greene

(74) *Attorney, Agent, or Firm* — Kirton McConkie; David B. Tingey; Bryant J. Keller

(57) **CLAIM**

The ornamental design for a headphone, as shown and described.

FIG. 1 is a perspective view showing a representative embodiment of my new design;

FIG. 2 is a front elevation view of the embodiment shown in FIG. 1;

FIG. 3 is a back elevation view of the embodiment shown in FIG. 1;

FIG. 4 is a left, side elevation view of the embodiment shown in FIG. 1;

FIG. 5 is a right, side elevation view of the embodiment shown in FIG. 1;

FIG. 6 is a top plan view of the embodiment shown in FIG. 1;

FIG. 7 is a bottom plan view of the embodiment shown in FIG. 1;

FIG. 8 is a perspective view showing another representative embodiment of my new design;

FIG. 9 is a front elevation view of the embodiment shown in FIG. 8;

FIG. 10 is a back elevation view of the embodiment shown in FIG. 8;

FIG. 11 is a left, side elevation view of the embodiment shown in FIG. 8;

FIG. 12 is a right, side elevation view of the embodiment shown in FIG. 8;

FIG. 13 is a top plan view of the embodiment shown in FIG. 8;

FIG. 14 is a bottom plan view of the embodiment shown in FIG. 8;

FIG. 15 is a perspective view showing another representative embodiment of my new design;

FIG. 16 is a back elevation view of the embodiment shown in FIG. 15;

FIG. 17 is a front elevation view of the embodiment shown in FIG. 15;

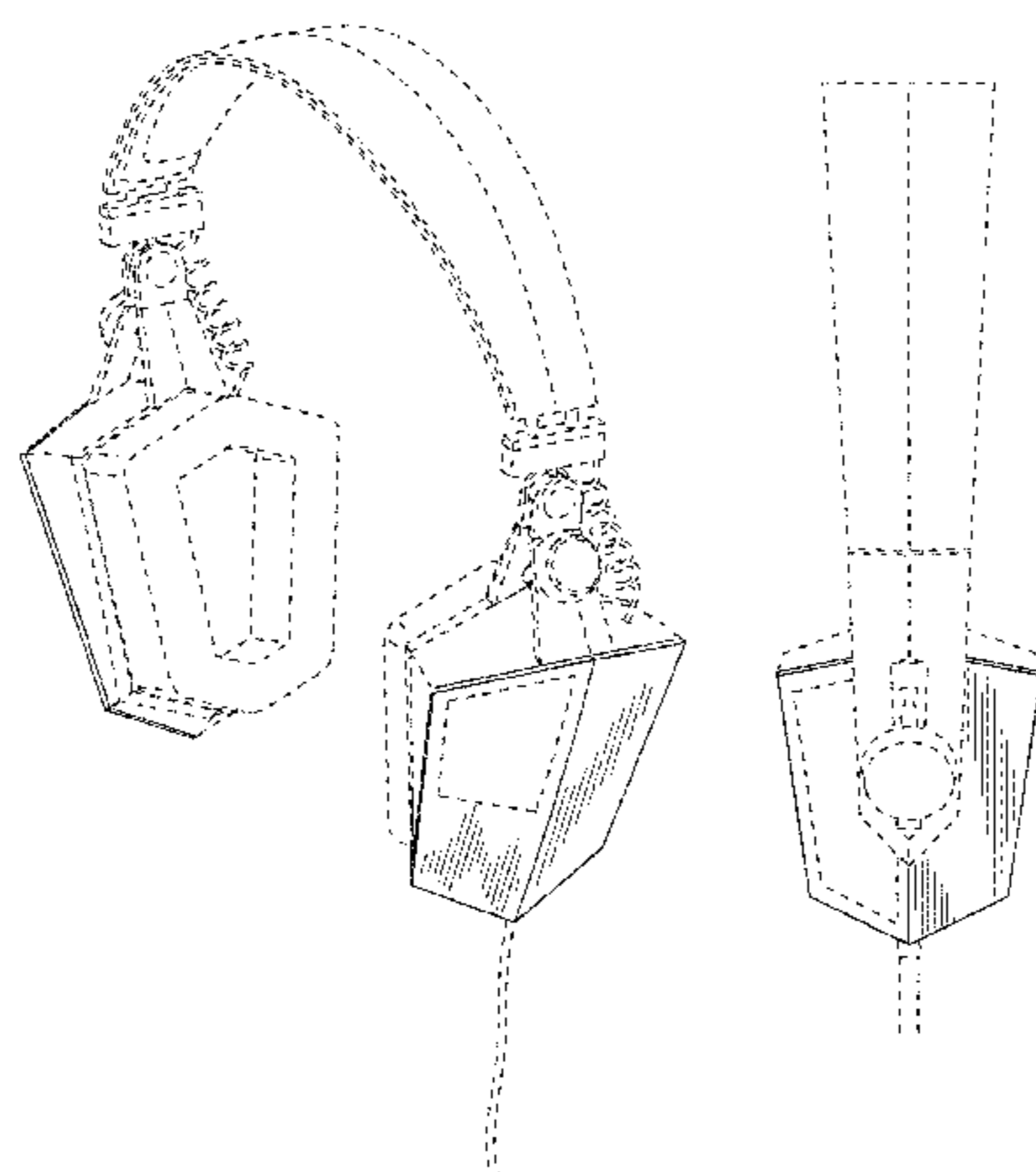
FIG. 18 is a right, side elevation view of the embodiment shown in FIG. 15;

FIG. 19 is a left, side elevation view of the embodiment shown in FIG. 15;

FIG. 20 is a top plan view of the embodiment shown in FIG. 15; and,

FIG. 21 is a bottom plan view of the embodiment shown in FIG. 15.

(Continued)



Representative embodiments of optional support structures are shown in broken lines for illustration purposes only and form no part of the claimed design.

1 Claim, 15 Drawing Sheets

(58) **Field of Classification Search**

USPC 455/575.1; D29/112; 24/113 R, 102 PL, 24/299.01, 124.11; D11/202; D2/607, D2/609; 2/245, 145

CPC H04R 25/00
See application file for complete search history.

(56) **References Cited**

U.S. PATENT DOCUMENTS

2,641,327 A 6/1953 Balmer
D206,797 S * 1/1967 Kusisto D11/202
3,353,231 A * 11/1967 Levine 24/113 R
3,354,471 A * 11/1967 Longo 2/174
4,020,297 A 4/1977 Brodie
4,070,778 A * 1/1978 Mahler et al. 40/124.11
D266,417 S * 10/1982 Perez D14/165
4,453,050 A 6/1984 Enokido
4,783,822 A * 11/1988 Toole et al. 381/379
4,829,571 A 5/1989 Kakiuchi et al.
5,361,378 A 11/1994 Traini, Jr.
5,412,736 A 5/1995 Keliiliki

5,625,171 A 4/1997 Marshall
5,812,683 A 9/1998 Parker et al.
6,203,070 B1 * 3/2001 Richardson 283/117
D467,580 S * 12/2002 Mori D14/223
6,626,704 B1 9/2003 Pikel
6,700,981 B1 3/2004 Howard
6,902,029 B2 * 6/2005 Weise 181/129
6,985,592 B1 1/2006 Ban et al.
6,988,905 B2 1/2006 Corey et al.
7,174,196 B2 2/2007 Matsuda
D556,187 S * 11/2007 Feng D14/205
7,388,960 B2 6/2008 Kuo et al.
7,395,090 B2 7/2008 Alden
D585,053 S * 1/2009 Zeiss et al. D14/223
7,480,388 B1 * 1/2009 Crook 381/322
D606,970 S * 12/2009 Semcken D14/205
7,739,816 B2 * 6/2010 Kowatari 40/124.09
D635,547 S * 4/2011 Komiyama D14/205
D641,736 S * 7/2011 Brunner et al. D14/223
D645,445 S * 9/2011 Kolton D14/205
D656,128 S * 3/2012 Park D14/223
D660,826 S * 5/2012 Brunner et al. D14/223
D670,275 S * 11/2012 Tompkin et al. D14/223
D676,026 S * 2/2013 Lee et al. D14/223
D685,345 S * 7/2013 Serota D14/205
8,474,163 B2 * 7/2013 Rubin 40/124.06
D688,648 S * 8/2013 Li et al. D14/205
D696,648 S * 12/2013 Siebenberg et al. D14/223
2003/0210801 A1 11/2003 Naksen et al.
2008/0175406 A1 7/2008 Smith
2009/0285435 A1 11/2009 Nelson et al.
2012/0140973 A1 6/2012 Olodort et al.

* cited by examiner

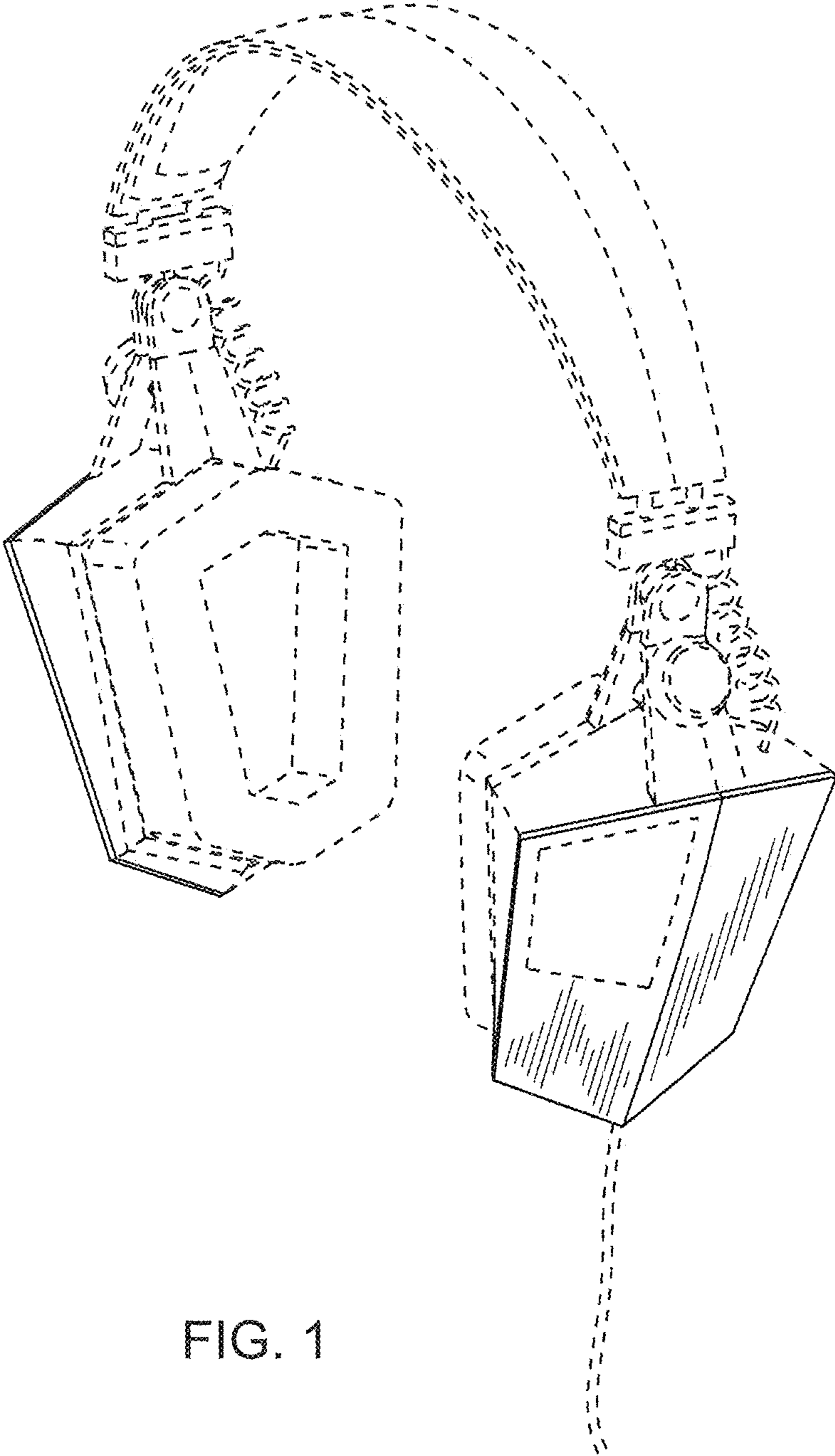


FIG. 1



FIG. 2



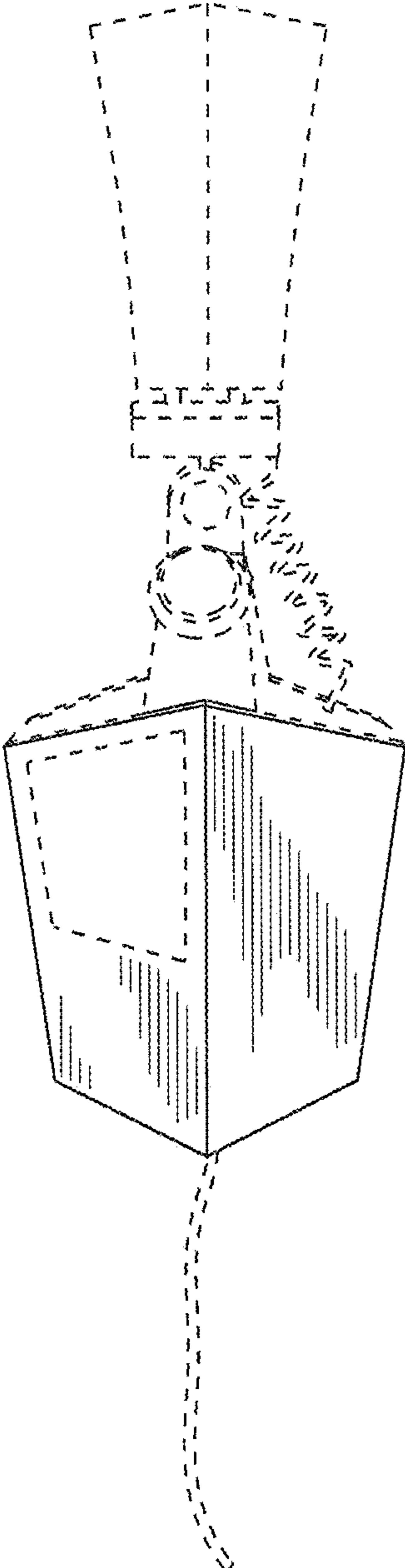


FIG. 4

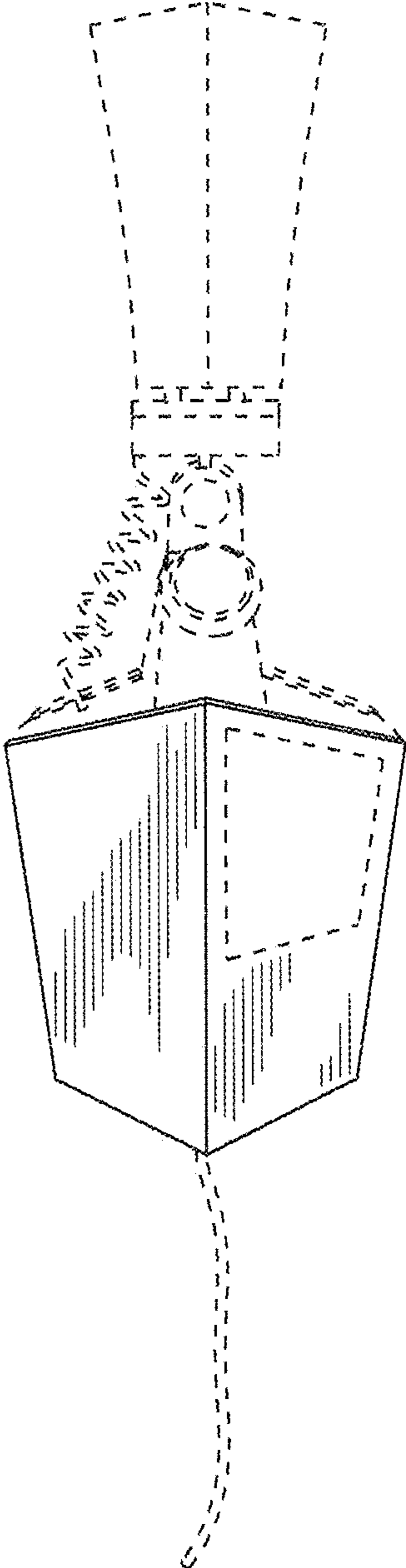


FIG. 5

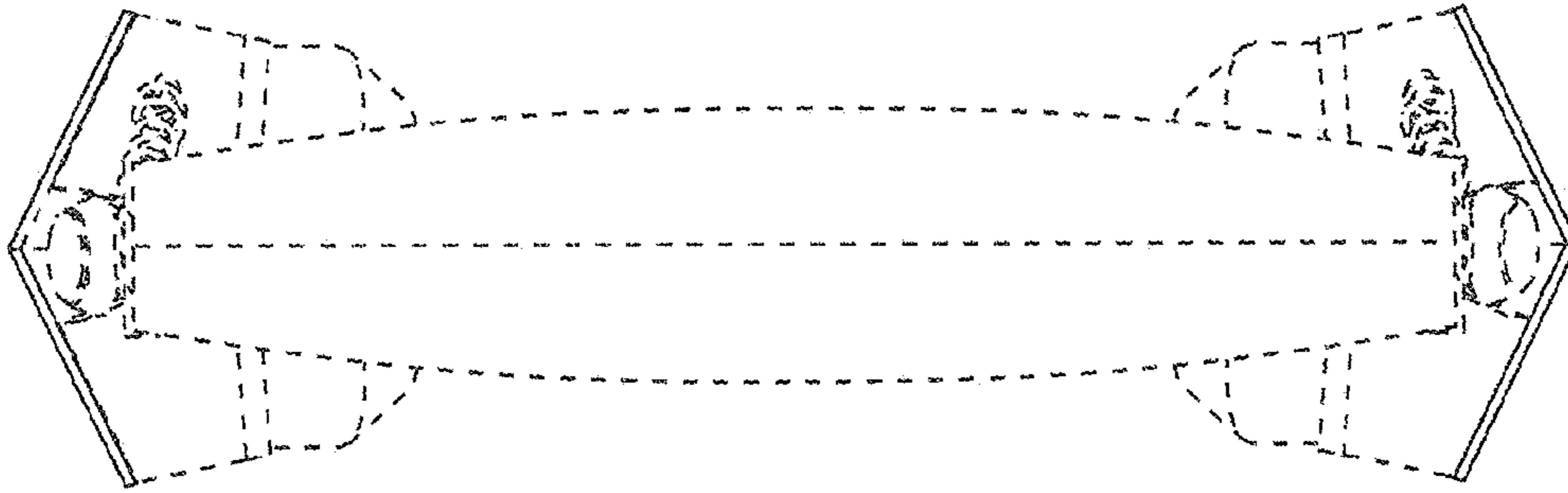


FIG. 6

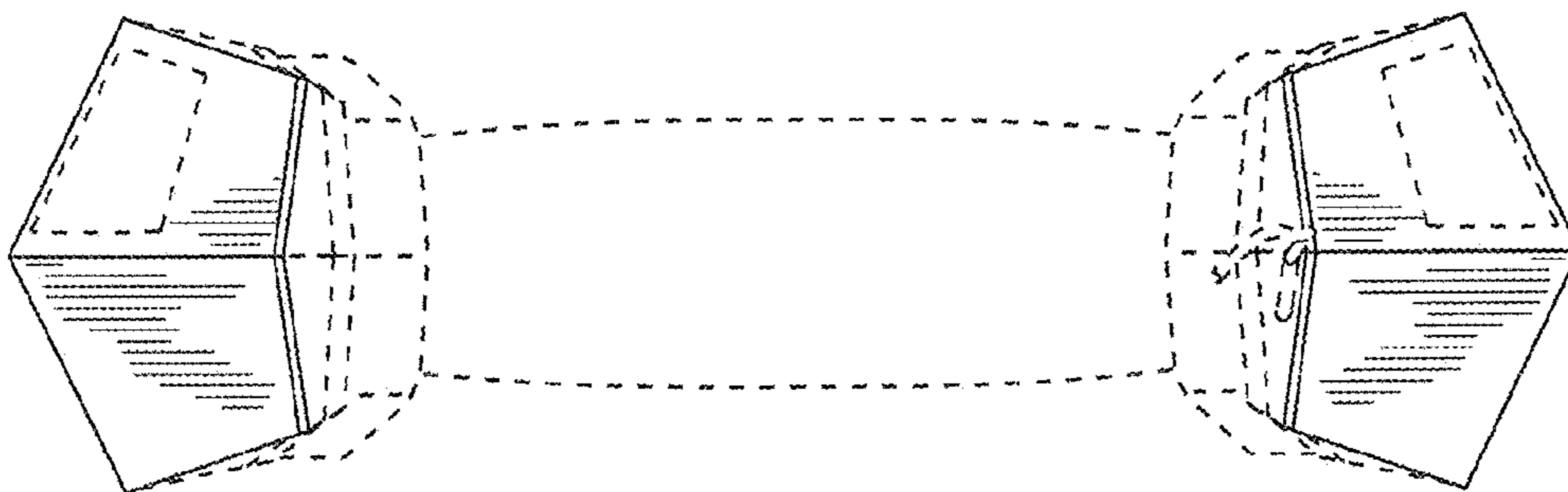


FIG. 7

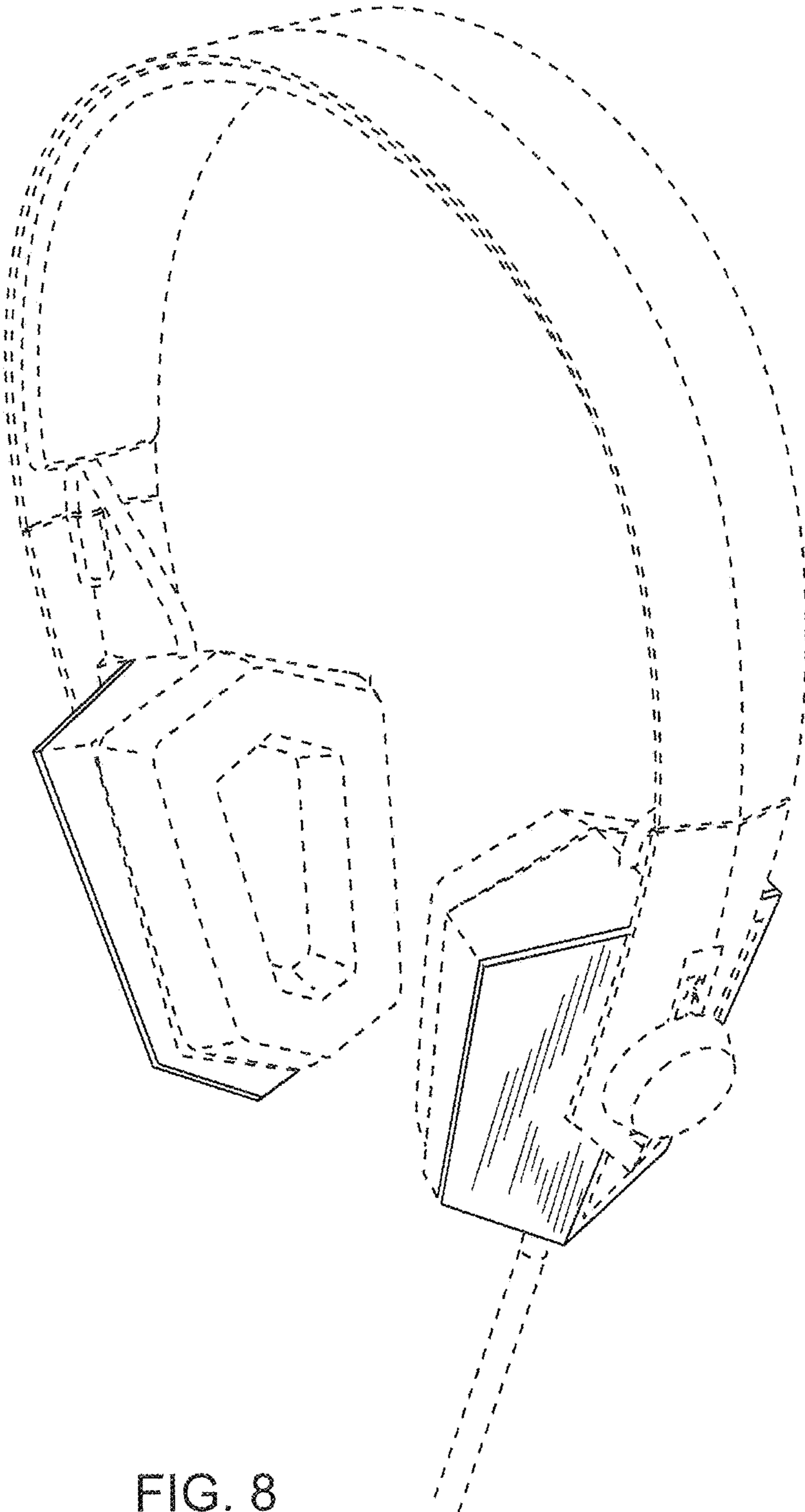


FIG. 8

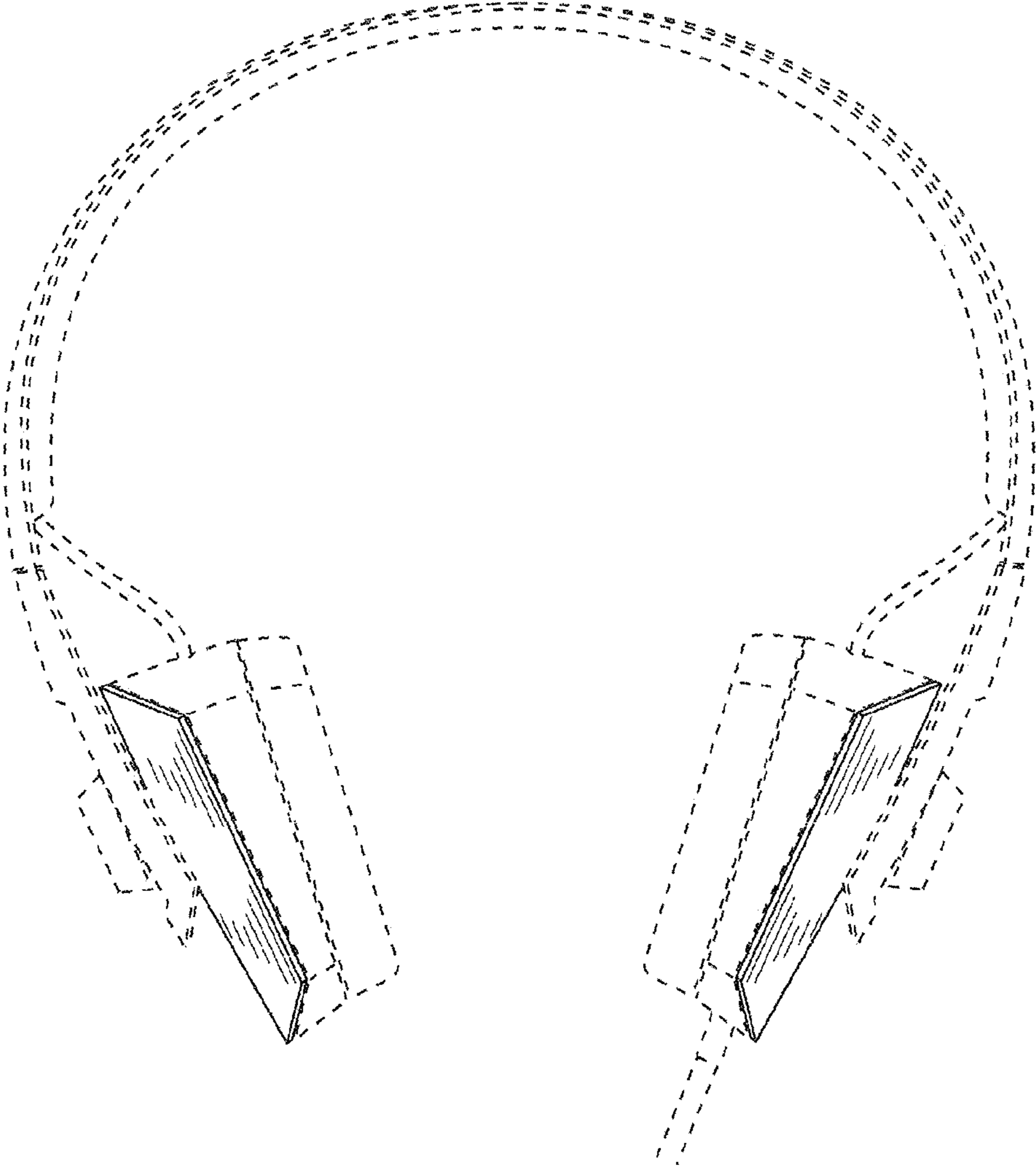


FIG. 9

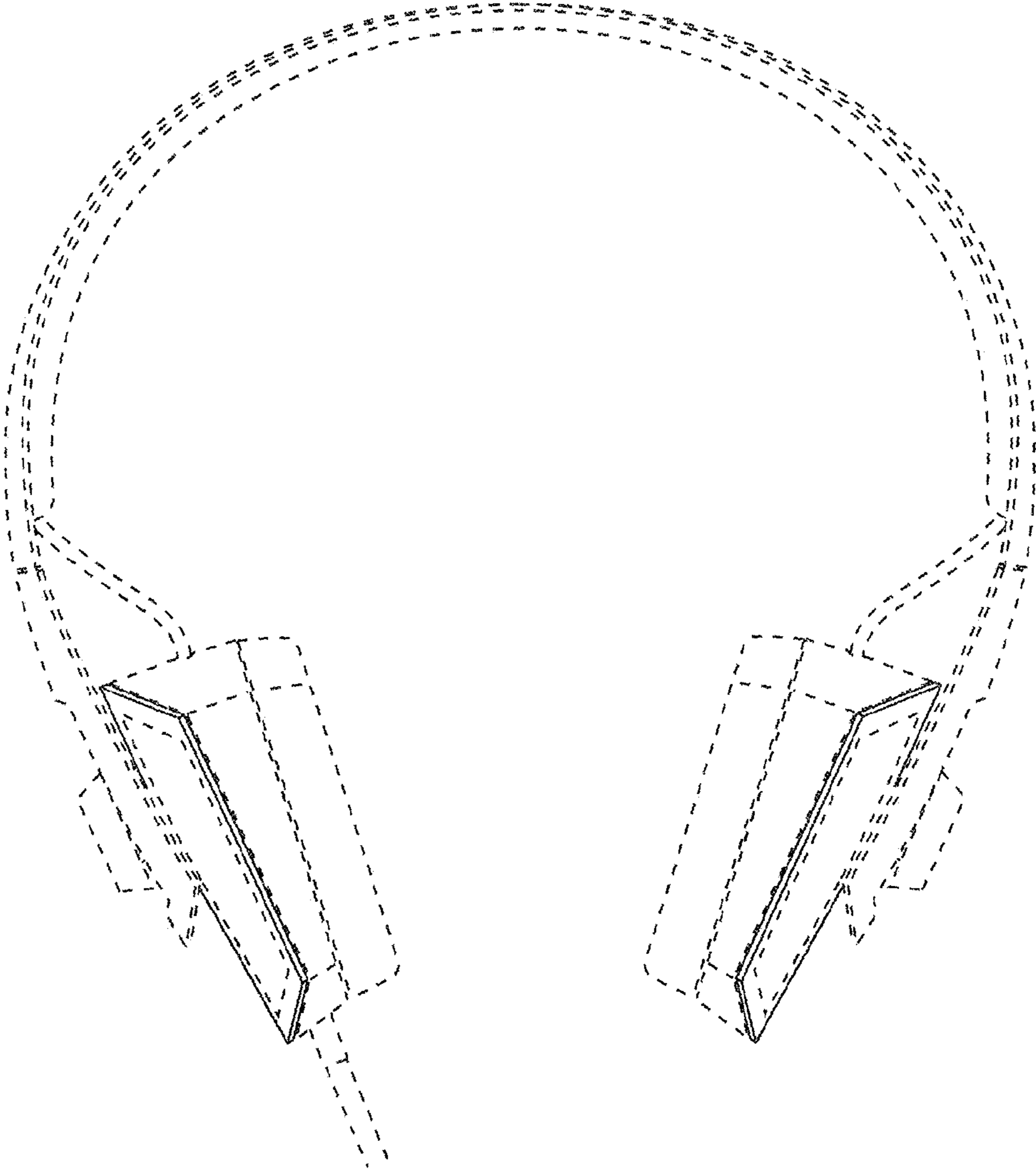


FIG. 10

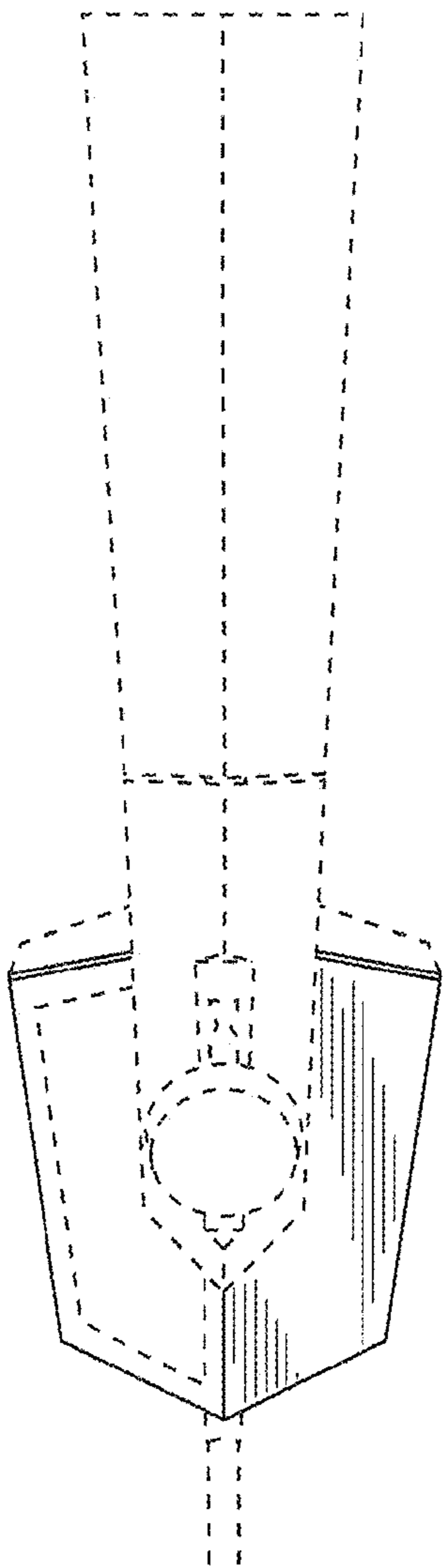


FIG. 11

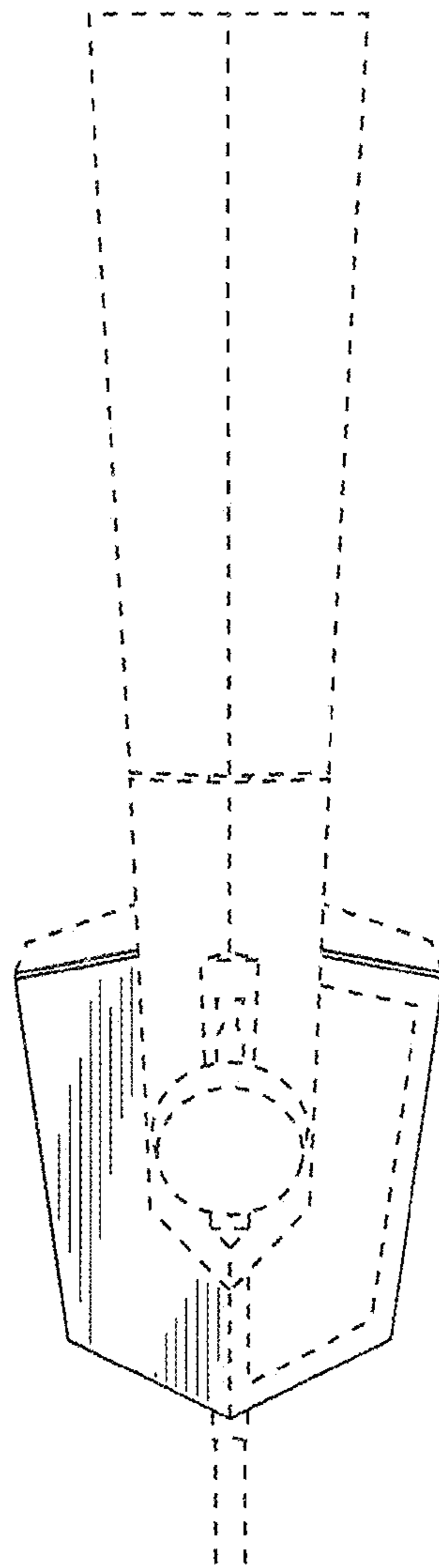


FIG. 12

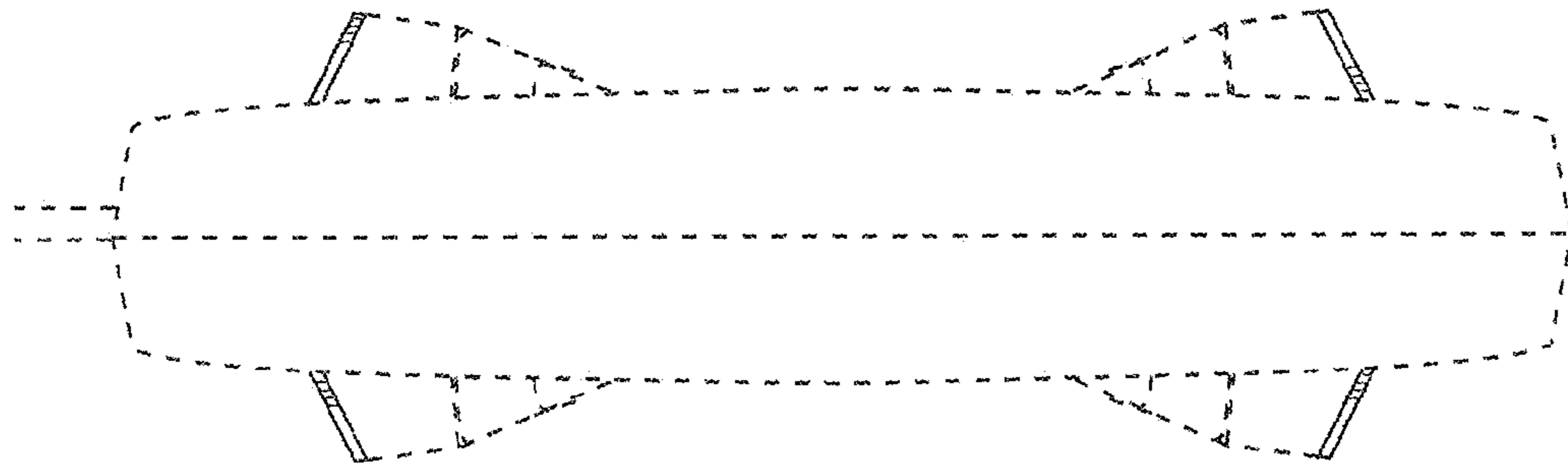


FIG. 13

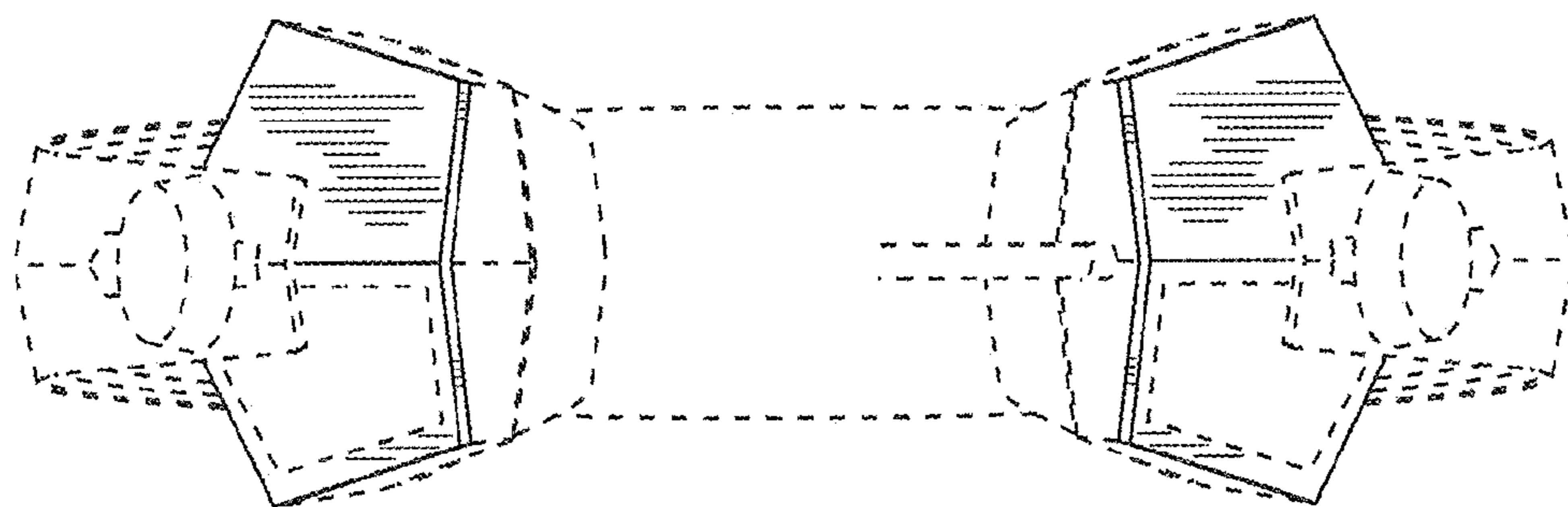


FIG. 14

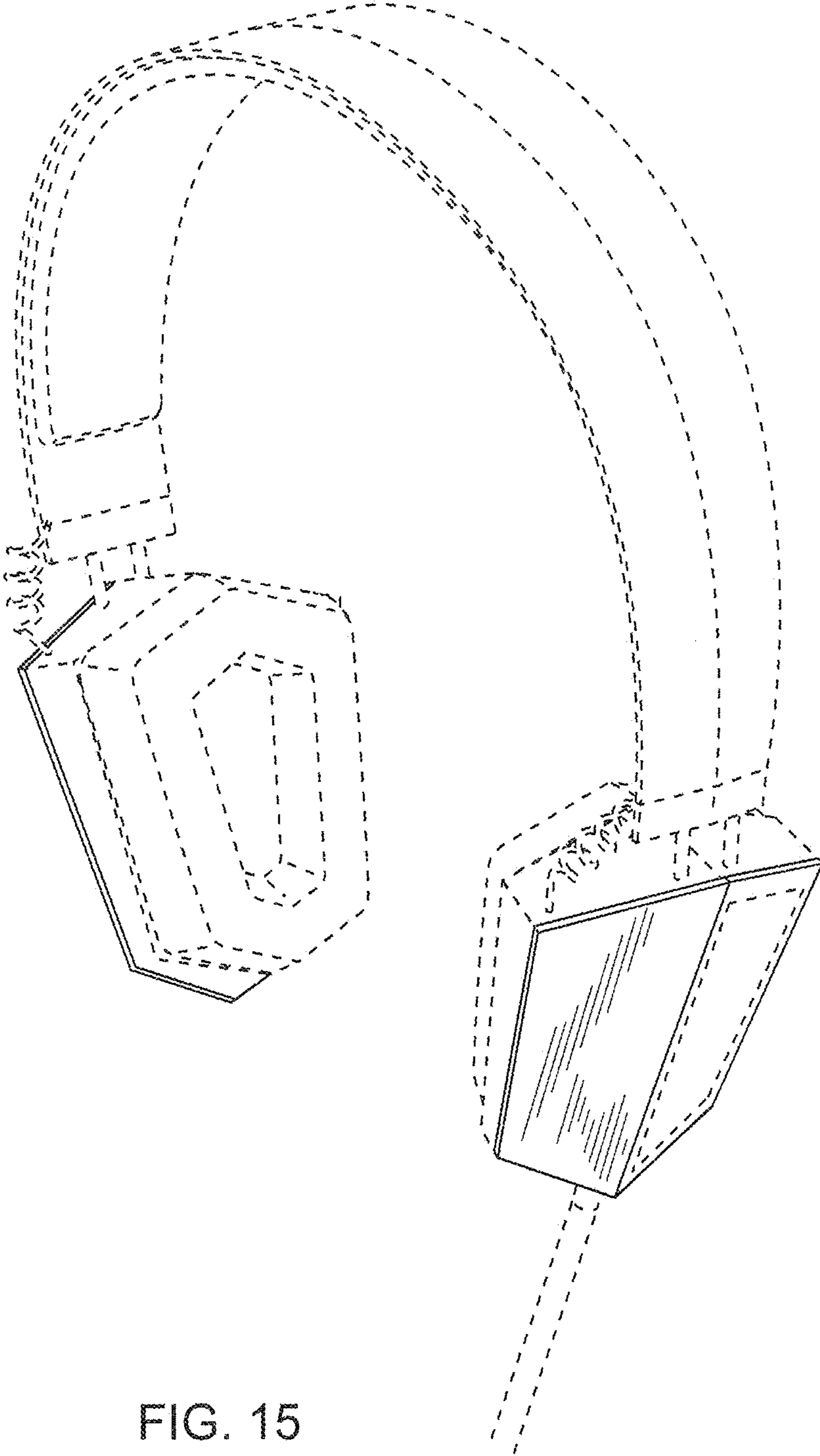


FIG. 15



FIG. 16

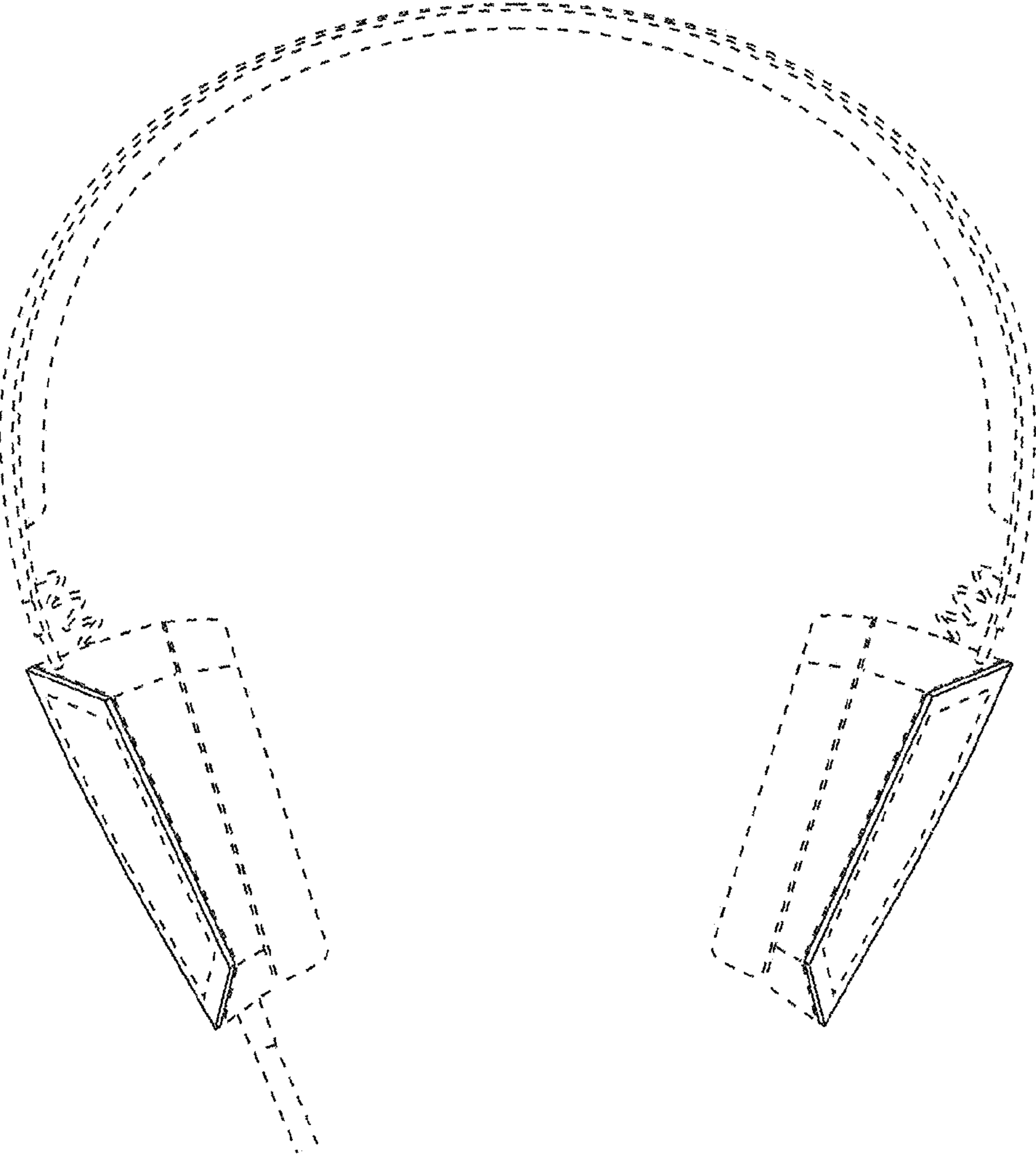


FIG. 17

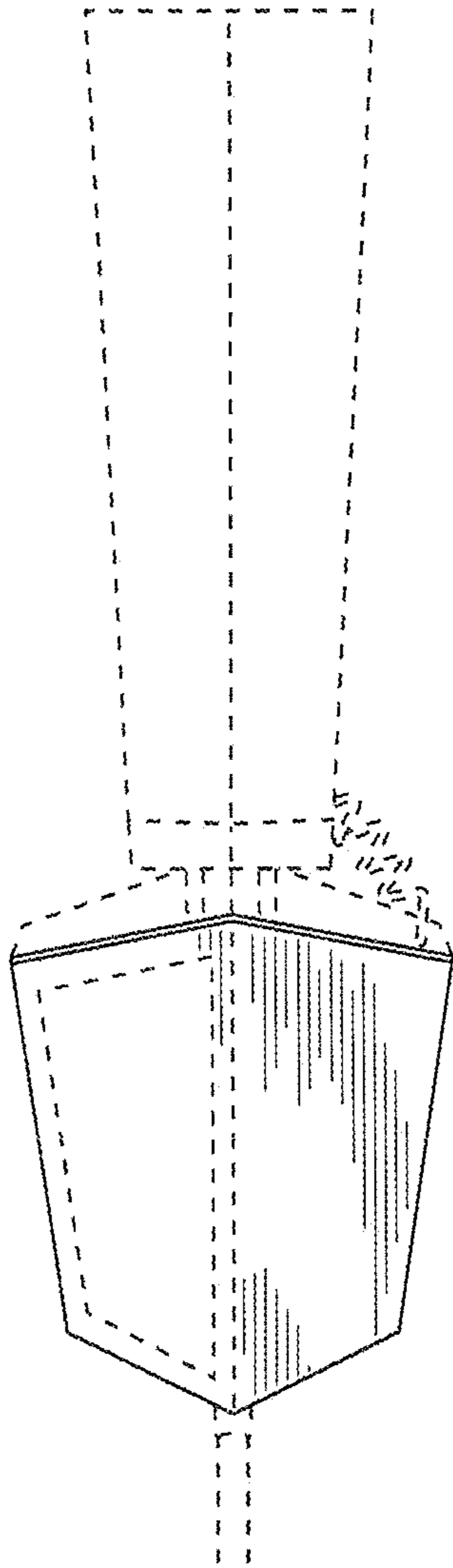


FIG. 18

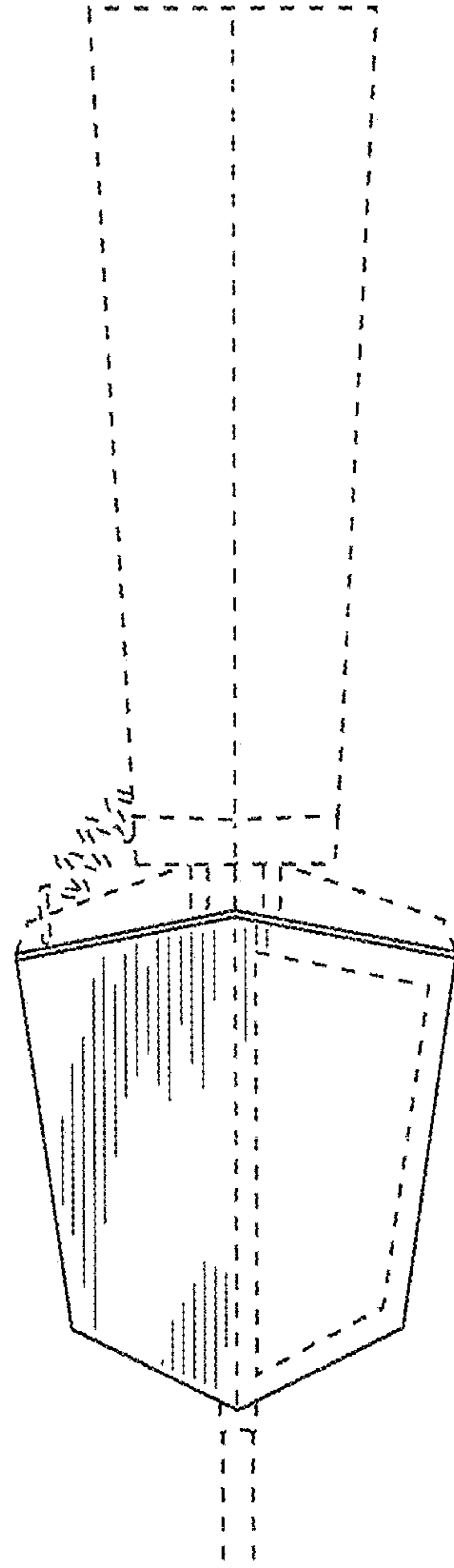


FIG. 19

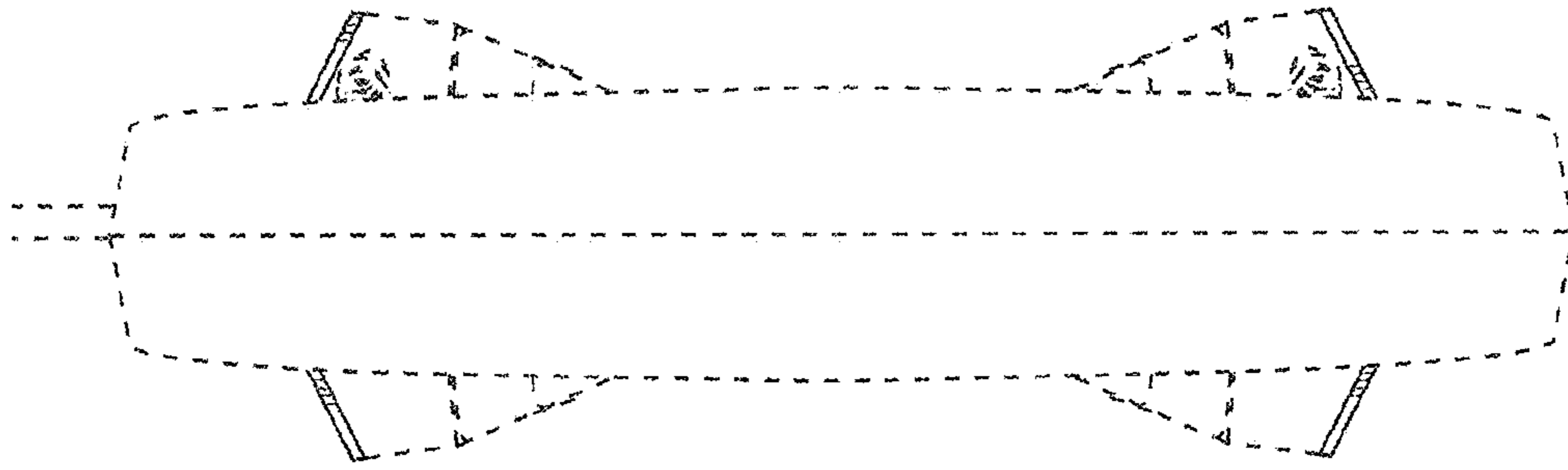


FIG. 20

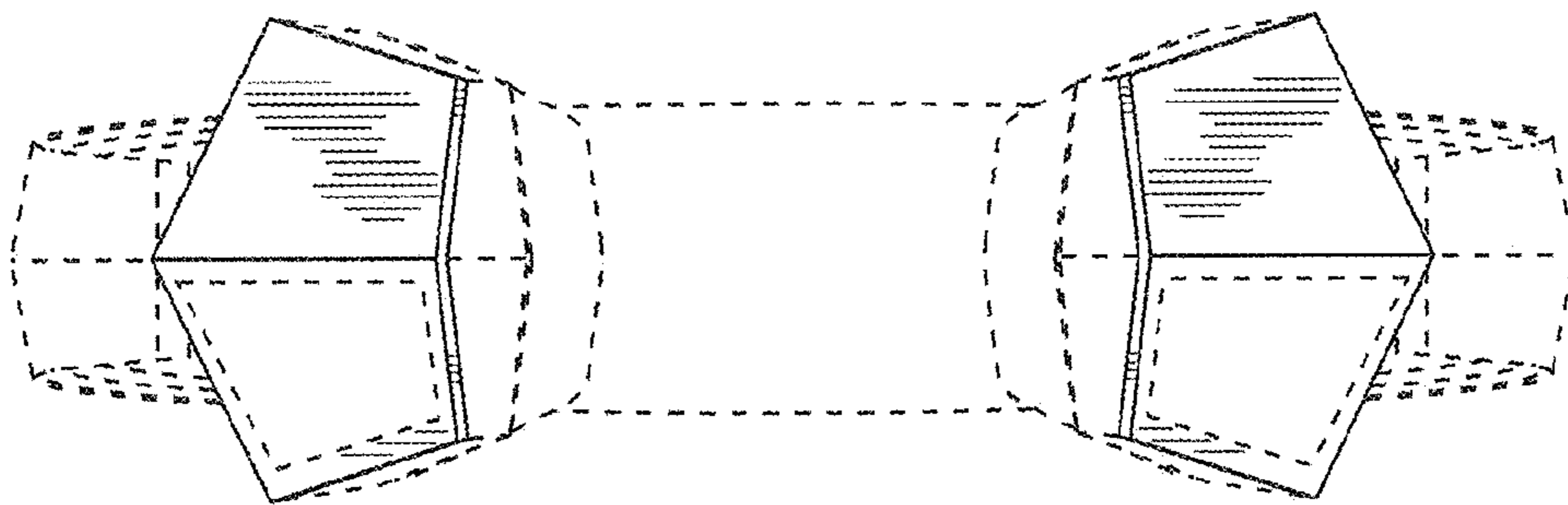


FIG. 21