



US00D780153S

(12) **United States Design Patent** (10) **Patent No.:** **US D780,153 S**  
**Lukic et al.** (45) **Date of Patent:** **\*\* Feb. 28, 2017**

(54) **SPEAKER HOUSING**

(71) Applicant: **Logitech Europe S.A.**, Lausanne (CH)

(72) Inventors: **Branko Lukic**, Menlo Park, CA (US);  
**Steve Ryutaro Takayama**, Atherton,  
CA (US); **David Yim**, Vancouver, WA  
(US); **Denis O'Keefe**, Newmarket Co.  
Cork (IE); **Neil O'Connell**, Portland,  
OR (US); **Steve McGarry**, Vancouver,  
WA (US); **Chris LaBrutto**, Fremont,  
CA (US)

(73) Assignee: **Logitech Europe S.A.**, Lausanne (CH)

(\*\*) Term: **14 Years**

(21) Appl. No.: **29/468,185**

(22) Filed: **Sep. 26, 2013**

**Related U.S. Application Data**

(63) Continuation of application No. 29/437,807, filed on  
Nov. 20, 2012, now Pat. No. Des. 706,743.

(51) **LOC (10) Cl.** ..... **14-01**

(52) **U.S. Cl.**  
USPC ..... **D14/204; D14/216**

(58) **Field of Classification Search**

USPC ... D14/204, 210-216, 203, 207, 209.1, 177;  
D13/184; 181/147, 148, 150, 151, 152,  
181/153, 157, 198, 199; 381/300-303,  
381/306, 332, 333, 336, 345, 361-364,  
381/386-388  
CPC H04R 1/026; H04R 2401/28; H04R 2400/00;  
H04R 2201/02; H04R 1/02; H04R  
1/2807; H04R 1/2811; H04R 1/2815;  
H04R 1/2819

See application file for complete search history.

(56) **References Cited**

U.S. PATENT DOCUMENTS

3,082,839 A 3/1963 Whitcas  
3,804,195 A 4/1974 Everitt et al.  
4,325,455 A 4/1982 Kirkpatrick  
4,503,292 A 3/1985 Johnson et al.  
4,936,410 A 6/1990 Howell

(Continued)

FOREIGN PATENT DOCUMENTS

CA 2082371 5/1997

OTHER PUBLICATIONS

Final Office Action, dated Oct. 5, 2015, for U.S. Appl. No.  
13/862,565, filed Nov. 20, 2012, 23 pages.

(Continued)

*Primary Examiner* — Lakiya Rogers  
*Assistant Examiner* — Harold Blackwell, II  
(74) *Attorney, Agent, or Firm* — Kilpatrick Townsend &  
Stockton LLP

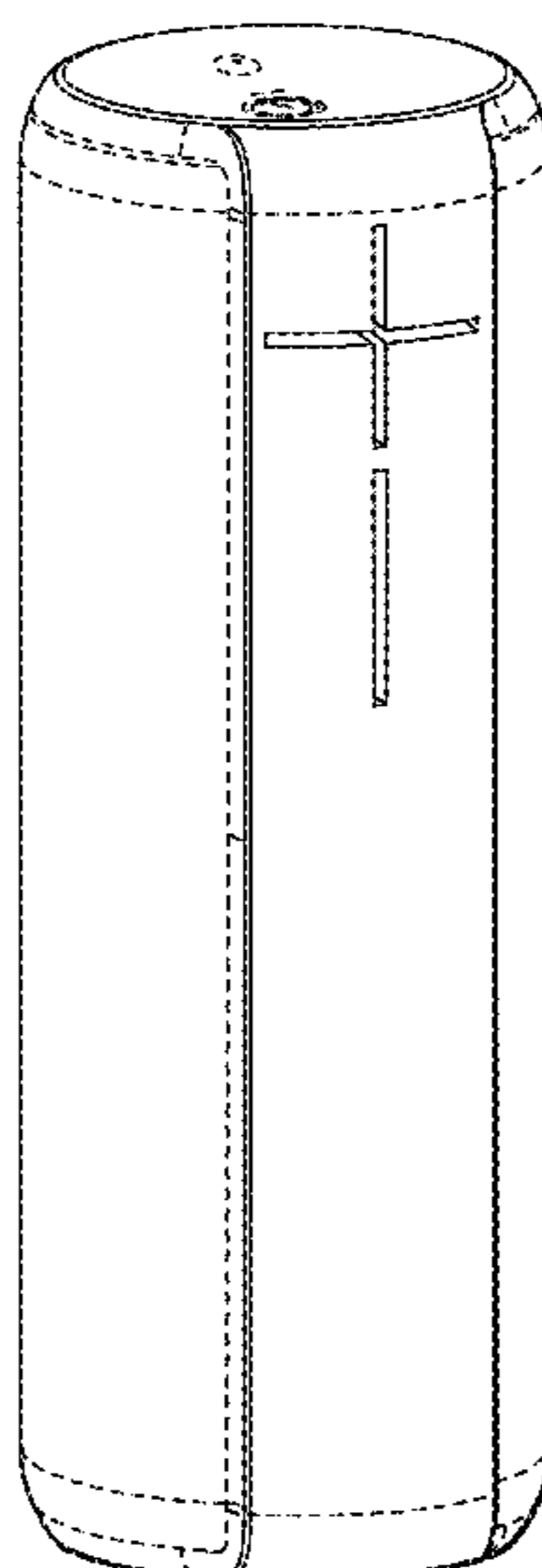
(57) **CLAIM**

The ornamental design for speaker housing, as shown and  
described.

**DESCRIPTION**

FIG. 1 is a front elevation view of a covered housing  
showing our new design;  
FIG. 2 is a second perspective view thereof;  
FIG. 3 is a bottom plan view thereof;  
FIG. 4 is a top plan view thereof;  
FIG. 5 is a front elevation view thereof;  
FIG. 6 is a rear elevation view thereof;  
FIG. 7 is a right-side elevation view thereof; and,  
FIG. 8 is a left-side elevation view thereof.  
The portions shown in broken lines form no part of the  
claimed design.

**1 Claim, 7 Drawing Sheets**



(56)

References Cited

U.S. PATENT DOCUMENTS

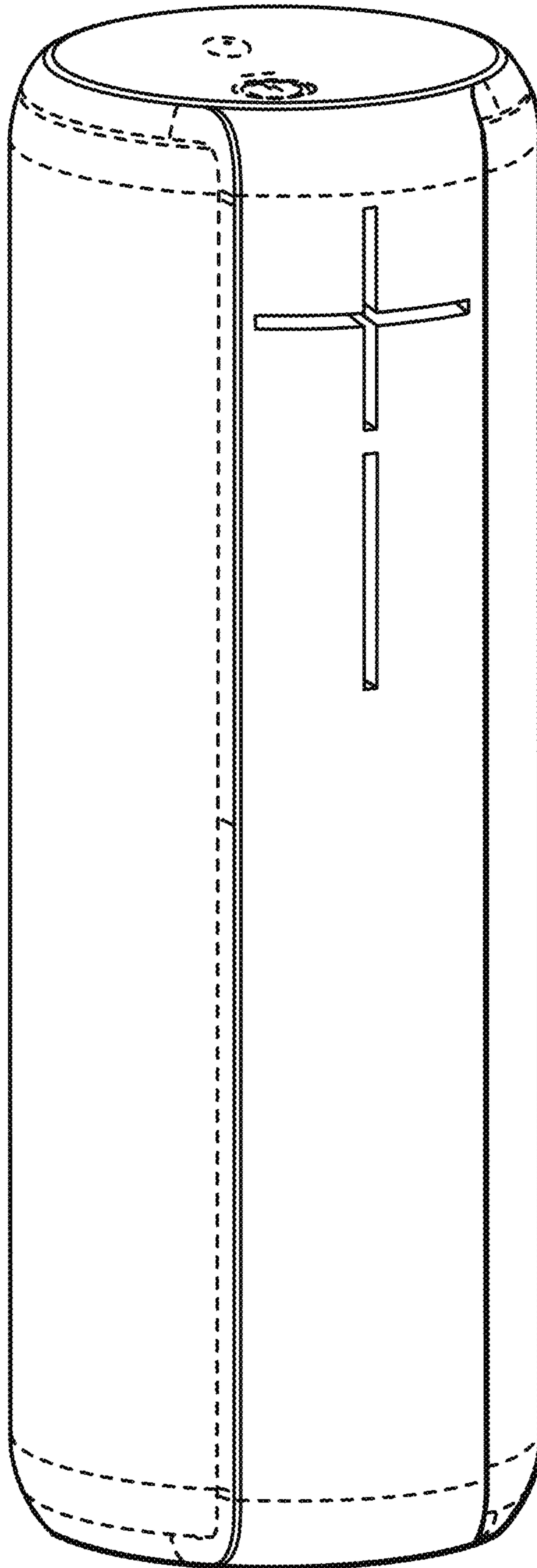
D344,951 S 3/1994 Christie  
 D349,499 S 8/1994 Collins  
 5,400,413 A 3/1995 Kindel  
 5,412,162 A 5/1995 Kindel  
 5,674,076 A 10/1997 Billings et al.  
 5,762,194 A 6/1998 Clegg  
 D402,660 S 12/1998 Swansey  
 D421,262 S 2/2000 Warren  
 6,096,160 A 8/2000 Kadomura  
 6,186,269 B1 2/2001 Vollmer et al.  
 6,345,685 B1 2/2002 Wells et al.  
 6,431,308 B1 8/2002 Vollmer et al.  
 D483,350 S 12/2003 Chen  
 6,973,994 B2 12/2005 Mackin et al.  
 D513,746 S 1/2006 Allen  
 D551,656 S 9/2007 Ritsher et al.  
 D555,636 S 11/2007 Chen et al.  
 D570,826 S 6/2008 Fong  
 D571,359 S 6/2008 Chang  
 D573,579 S 7/2008 Yamaguchi  
 D574,363 S 8/2008 Laituri et al.  
 D583,803 S 12/2008 Lum et al.  
 D588,576 S 3/2009 Son et al.  
 D597,529 S 8/2009 Tan et al.  
 D598,899 S 8/2009 Tkachuk  
 D603,845 S 11/2009 Tkachuk  
 D604,720 S 11/2009 Liu  
 D607,878 S 1/2010 Murray  
 D611,450 S 3/2010 Miyazaki  
 D616,420 S \* 5/2010 Morimoto ..... D14/216  
 D619,119 S 7/2010 Graber  
 D620,475 S 7/2010 Graber  
 D621,386 S 8/2010 Chang  
 7,787,912 B2 8/2010 Saila  
 D625,706 S 10/2010 Graber  
 7,814,583 B2 10/2010 Lerma  
 D633,898 S 3/2011 Seo et al.  
 D635,552 S \* 4/2011 Yokoyama ..... D14/216  
 D636,379 S 4/2011 Kim et al.  
 D641,340 S 7/2011 Huh  
 D642,159 S 7/2011 Joseph  
 D644,206 S 8/2011 Ponnert  
 D659,120 S 5/2012 Kim et al.  
 D659,675 S 5/2012 Kim et al.  
 D659,677 S 5/2012 Kim et al.  
 D667,389 S 9/2012 Yokoyama  
 D670,271 S 11/2012 Tzeng  
 D674,776 S 1/2013 Cmehil  
 D676,418 S 2/2013 Suzuki  
 D679,678 S \* 4/2013 Uesugi ..... D14/213  
 D680,517 S \* 4/2013 Khoo ..... D14/213  
 D685,349 S \* 7/2013 Ohno ..... D14/221  
 D687,016 S \* 7/2013 Brunner ..... D14/216

D687,017 S \* 7/2013 Ashcraft ..... D14/216  
 D687,810 S \* 8/2013 Son ..... D14/210  
 8,540,855 B2 9/2013 Hayakawa et al.  
 D691,117 S \* 10/2013 Silvera ..... D14/213  
 D691,587 S 10/2013 Ferber et al.  
 D692,411 S 10/2013 Joseph  
 D692,413 S 10/2013 Holzer  
 D692,860 S 11/2013 Paterson  
 D692,861 S 11/2013 Paterson  
 D693,330 S 11/2013 Lee  
 D693,794 S 11/2013 Nauroy  
 D694,218 S 11/2013 Szymanski  
 D706,743 S \* 6/2014 Lukic ..... D14/204  
 D726,155 S \* 4/2015 Cheng ..... D14/216  
 D727,298 S \* 4/2015 Chang ..... D14/216  
 9,002,041 B2 \* 4/2015 McGarry ..... H04R 1/023  
 181/149  
 D742,358 S \* 11/2015 Alves ..... D14/216  
 D750,597 S \* 3/2016 Fischer ..... D14/216  
 D752,553 S \* 3/2016 Lee ..... D14/216  
 D753,630 S \* 4/2016 Kim ..... D14/216  
 D753,631 S \* 4/2016 Holzer ..... D14/216  
 2008/0095395 A1 \* 4/2008 Pieklik ..... A61H 33/60  
 381/387  
 2008/0165997 A1 \* 7/2008 Skurdal ..... H04R 5/023  
 381/334  
 2008/0226096 A1 \* 9/2008 Waddell ..... H04R 1/02  
 381/87  
 2001/0286613 11/2011 Lipsky et al.  
 2011/0286613 A1 11/2011 Lipsky et al.  
 2012/0121924 A1 5/2012 Miller et al.  
 2016/0080858 A1 \* 3/2016 Wilke ..... H04R 1/2819  
 181/153

OTHER PUBLICATIONS

Utility U.S. Appl. No. 13/682,565, filed Nov. 20, 2012, by David Yim et al.  
 Design U.S. Appl. No. 29/437,807, filed Nov. 20, 2012, by Branko Lukic et al.  
 A Bluetooth speaker for the great outdoors, Posting date May 21, 2013, Copyright CBS Interactive Inc. All rights reserved [online], [site visited on Dec. 16, 2013]. <[http://reviews.cnet.com/portable-speakers/logitech-ue-boom-blue/4505-11313\\_7-35765418.html](http://reviews.cnet.com/portable-speakers/logitech-ue-boom-blue/4505-11313_7-35765418.html)>.  
 Apple Insider: Review: Ultimate Ears Boom Bluetooth portable speaker, Posting date Sunday Dec. 1, 2013, Copyright 2013, AppleInsider.com [online], site visited on Dec. 16, 2013, <<http://appleinsider.com/articles/13/12/01/review-ultimate-ears-boom-bluetooth-portable-speaker>>.  
 Notice of Allowance mailed Jan. 17, 2014, issued in Design U.S. Appl. No. 29/437,807, mailed Nov. 20, 2012. 13 pages.  
 Non-final Office Action dated Apr. 8, 2015, in U.S. Appl. No. 13/682,565, filed Nov. 20, 2012, 21 pages.

\* cited by examiner



**FIG. 1**

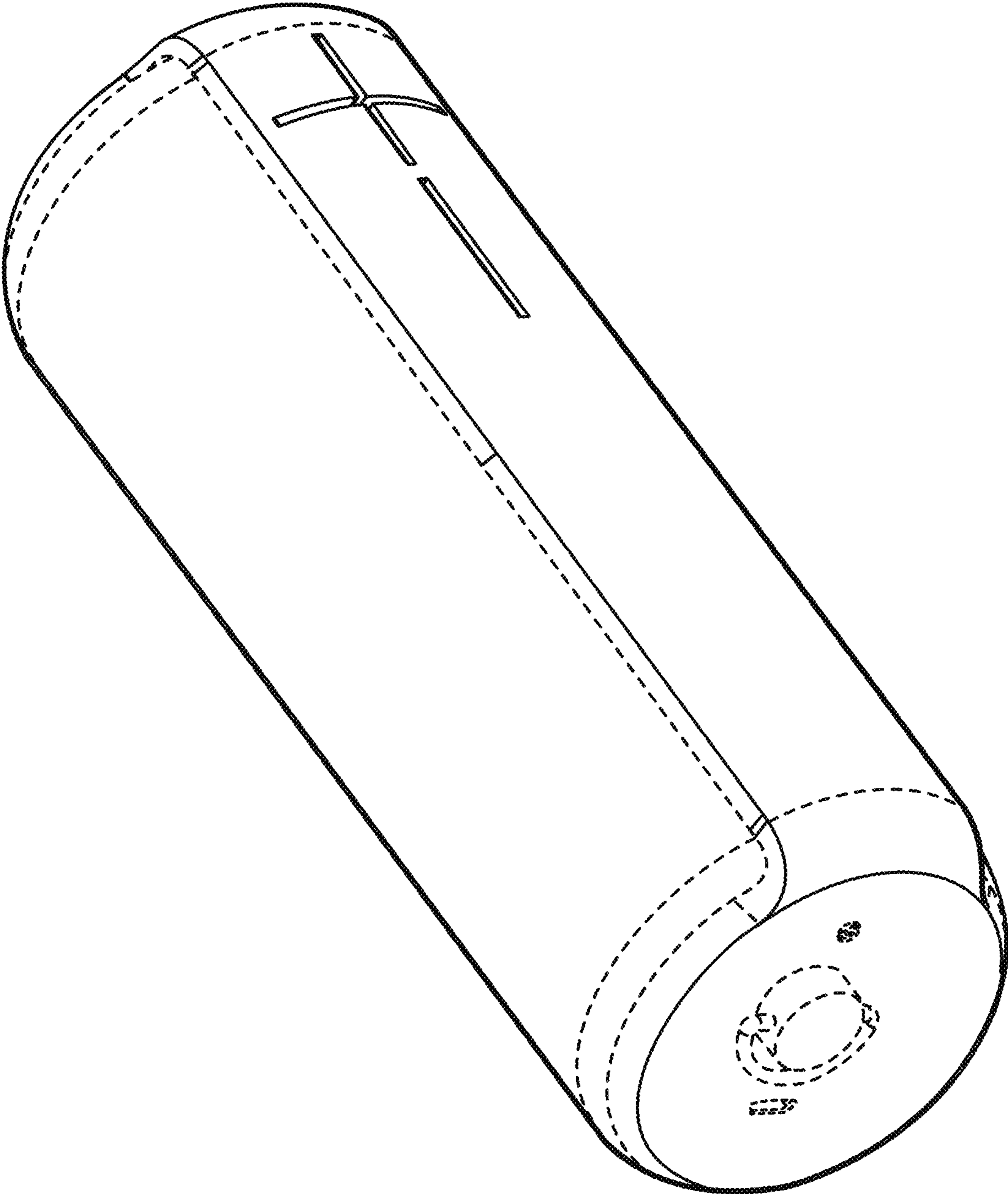
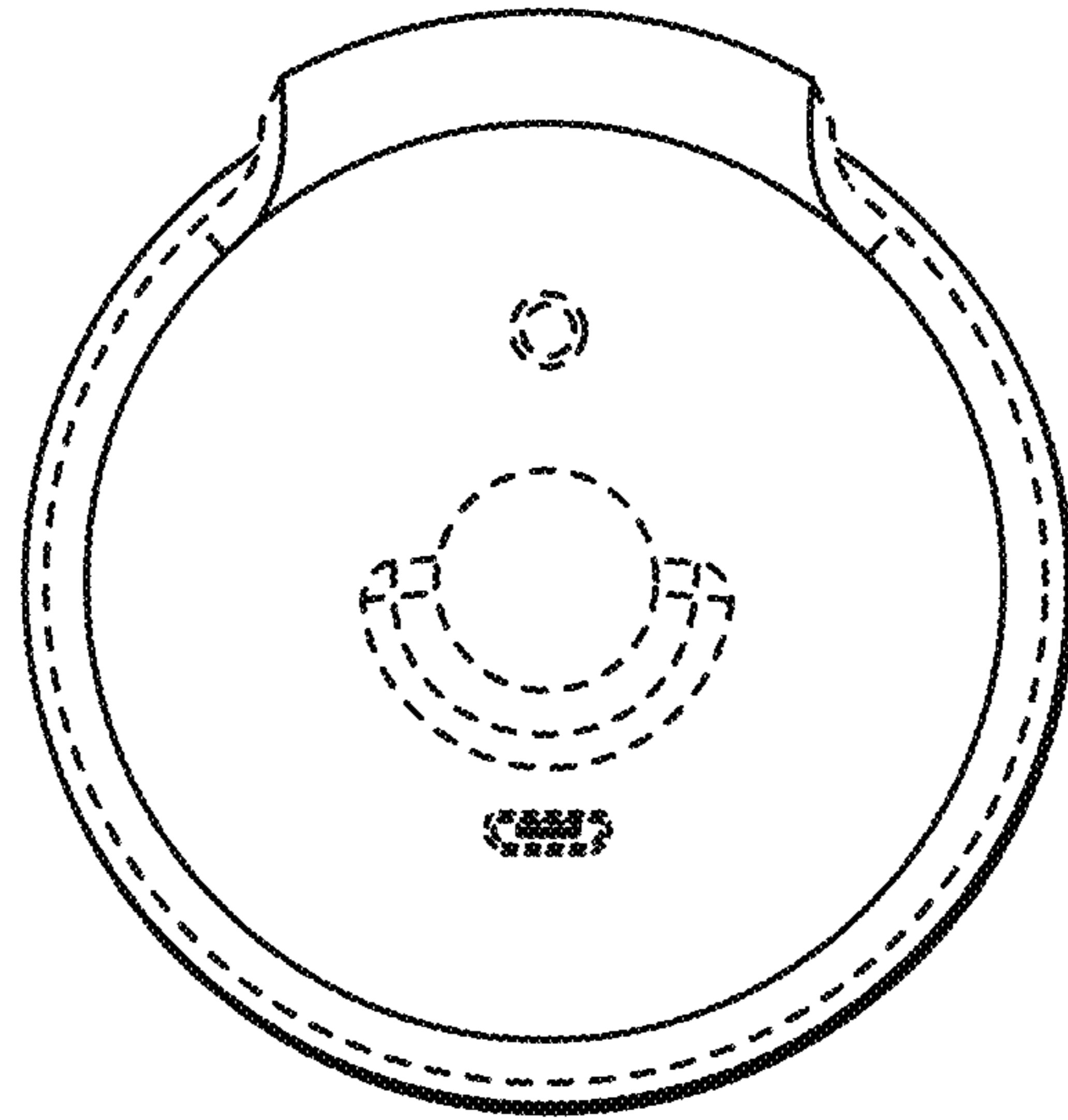
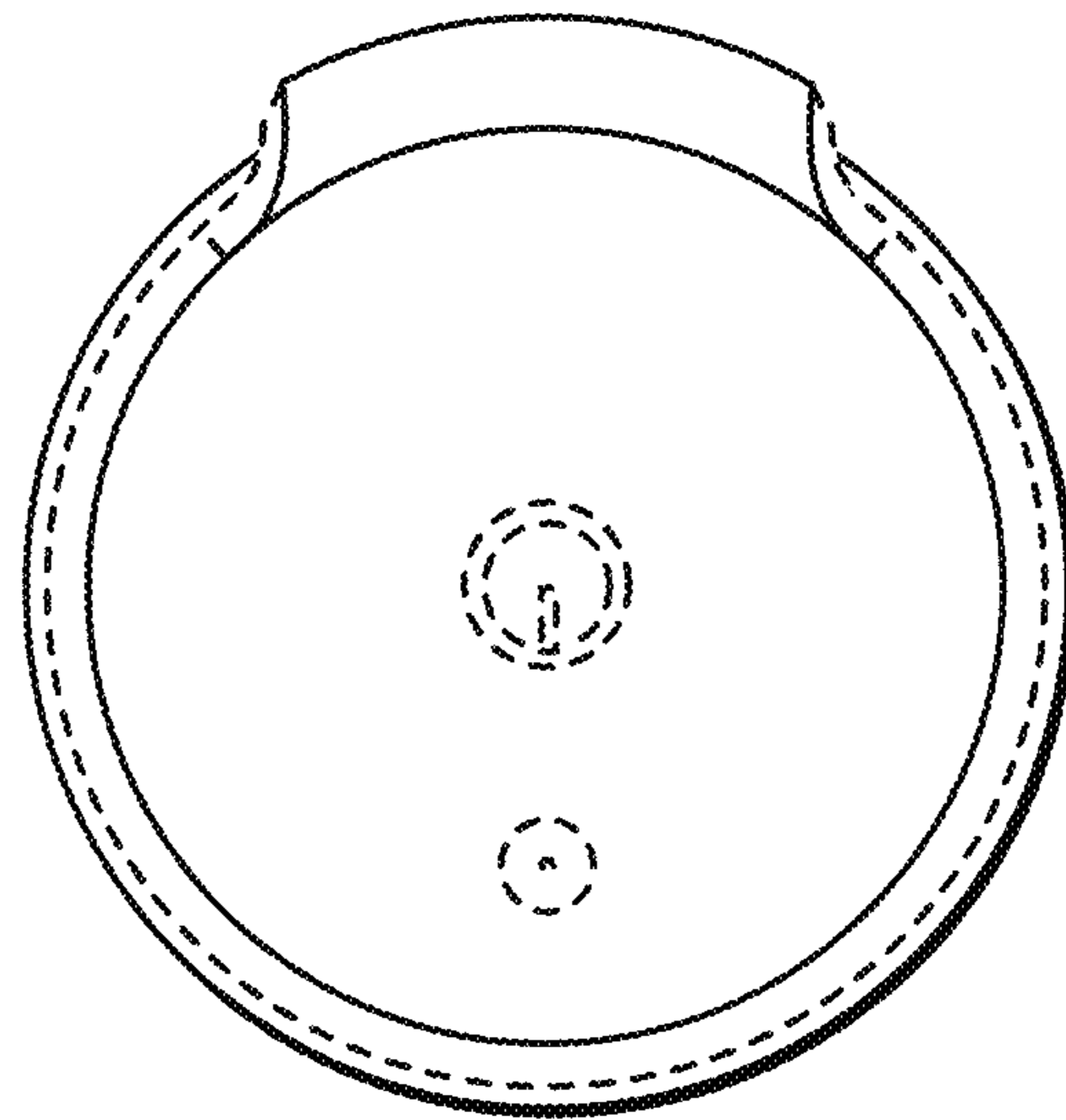


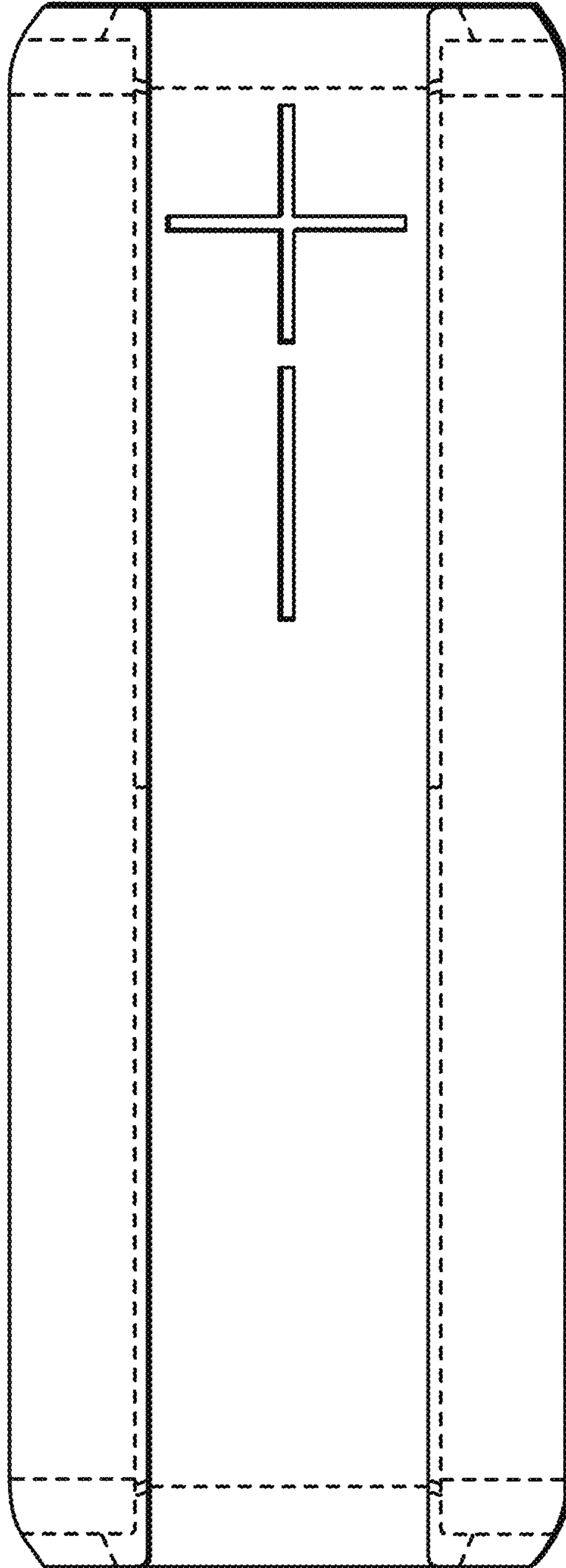
FIG. 2



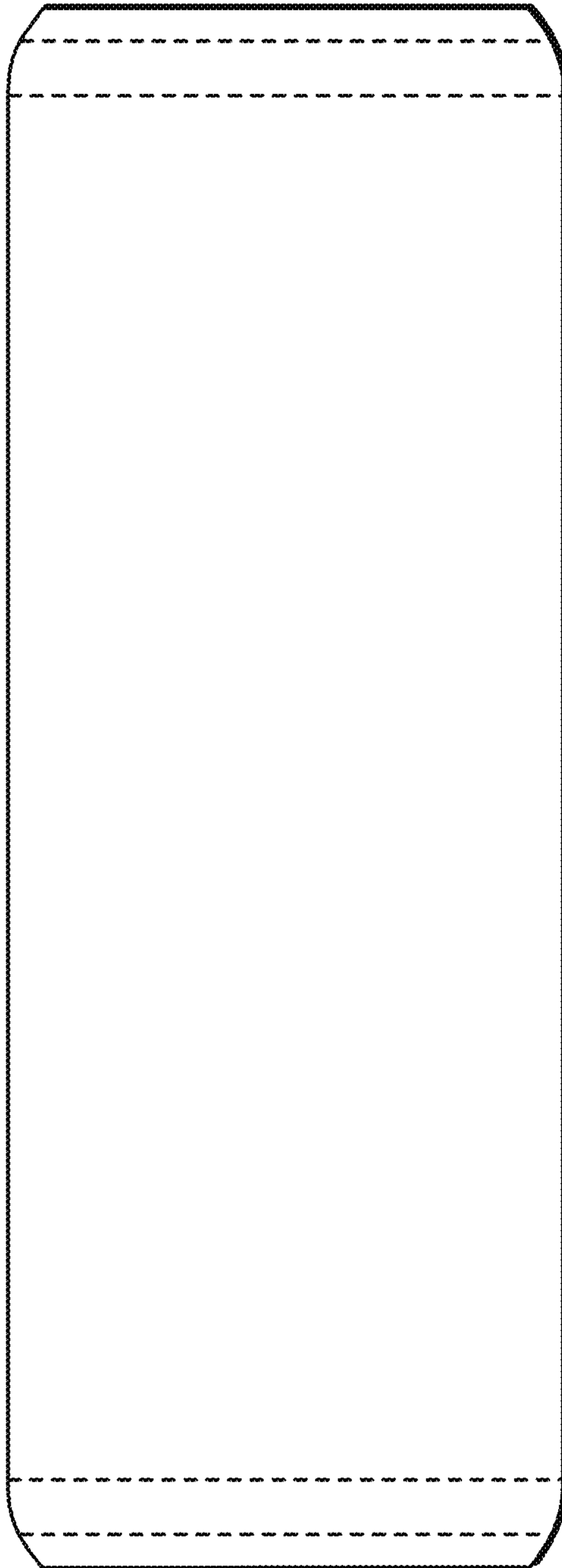
**FIG. 3**



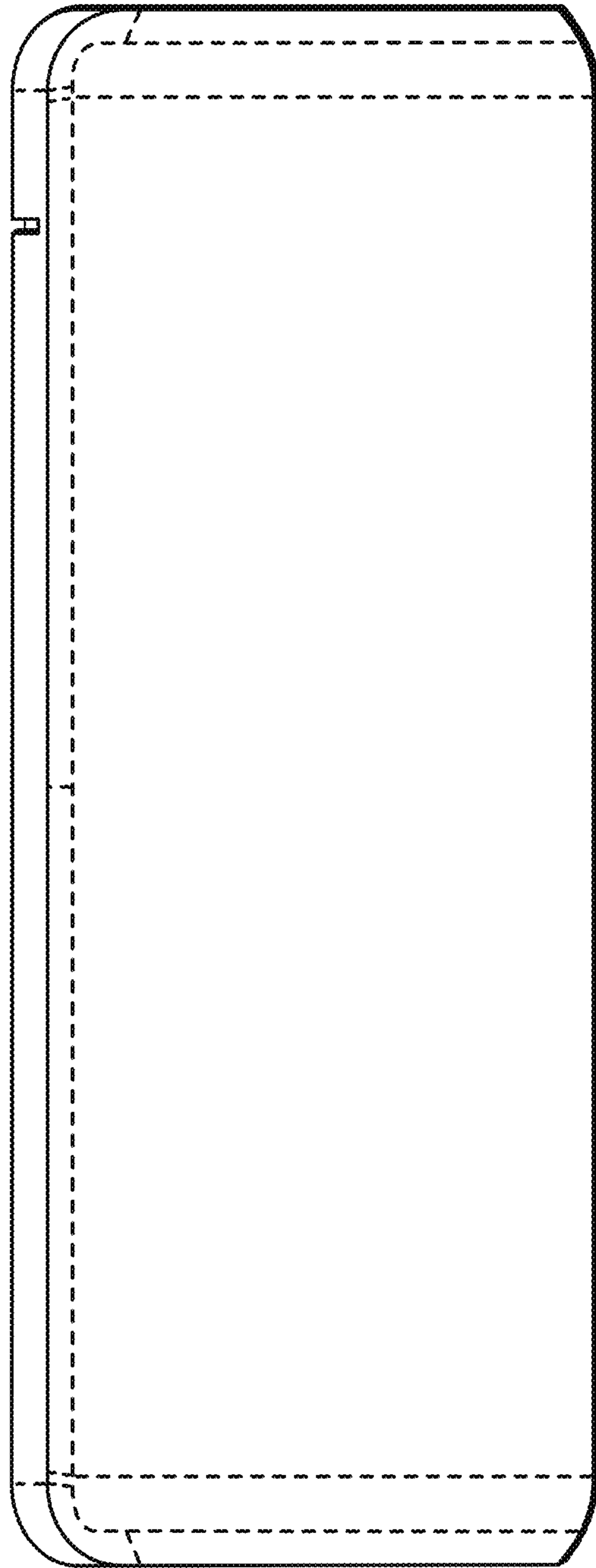
**FIG. 4**



**FIG. 5**

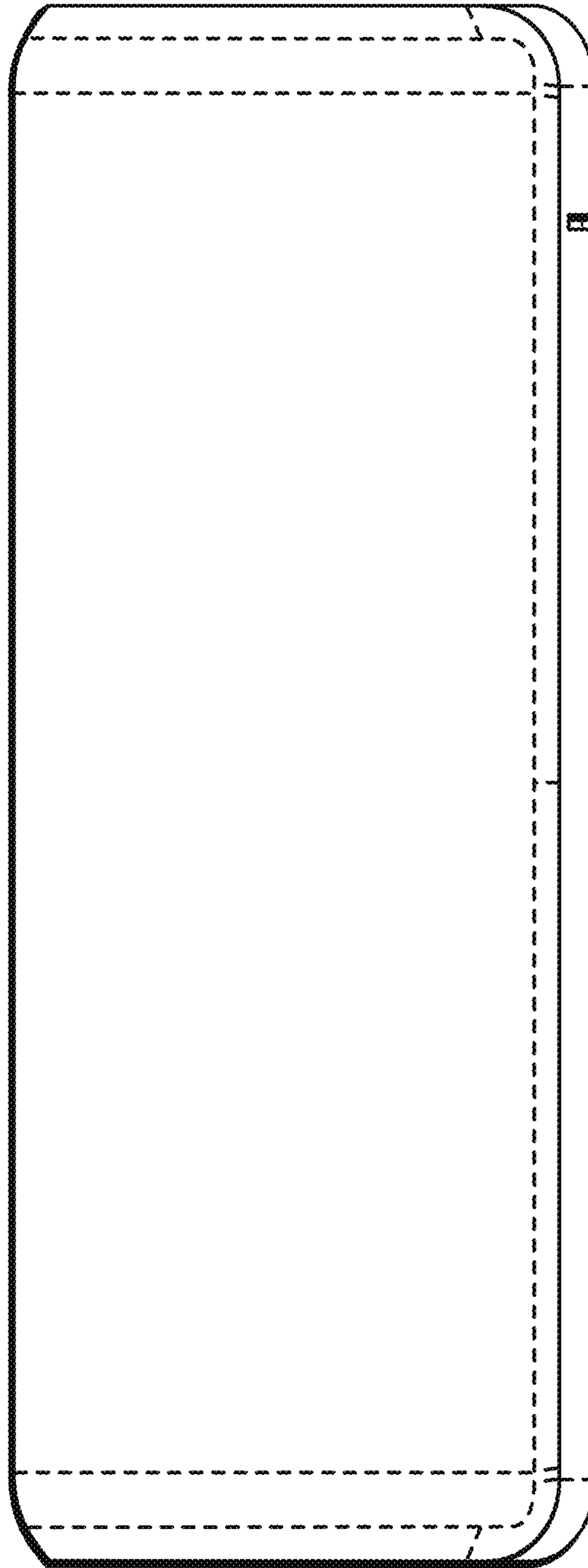


**FIG. 6**



**FIG. 7**





**FIG. 8**