



US00D780151S

(12) **United States Design Patent**
Jeon

(10) **Patent No.:** **US D780,151 S**

(45) **Date of Patent:** **** Feb. 28, 2017**

(54) **CLOCK RADIO WITH COLORED LED LIGHTING**

(71) Applicant: **Sunki Jeon**, Paramus, NJ (US)

(72) Inventor: **Sunki Jeon**, Paramus, NJ (US)

(73) Assignee: **SDI TECHNOLOGIES, INC.**,
Rahway, NJ (US)

(**) Term: **15 Years**

(21) Appl. No.: **29/545,985**

(22) Filed: **Nov. 18, 2015**

(51) **LOC (10) Cl.** **14-01**

(52) **U.S. Cl.**
USPC **D14/171**

(58) **Field of Classification Search**
USPC D14/137, 140, 142, 149, 155, 157, 158,
D14/168, 170, 171, 188, 189,
D14/203.1–203.8, 209.1, 224.1, 243, 251,
D14/432, 447, 451, 496; 439/529, 534;
455/90.1–90.3, 344–348, 556.1, 556.2;
369/6–12; 370/342–344
CPC H04B 1/06; H04B 1/08; H04B 1/086;
H04M 1/04; H04M 1/21; H04W
4/02; H04W 4/06
See application file for complete search history.

(56) **References Cited**

U.S. PATENT DOCUMENTS

D450,049 S * 11/2001 Lacotta D14/171
D478,890 S * 8/2003 Ng D14/170

D492,923 S * 7/2004 Whitehead D12/204
D499,715 S * 12/2004 Zeitman D14/171
7,463,556 B2 * 12/2008 Hocherman G04G 13/026
368/109
7,710,831 B2 * 5/2010 Driska G04G 13/02
368/10
D642,157 S * 7/2011 Holzer D14/209.1
D647,502 S * 10/2011 Holzer D14/168
8,593,804 B2 * 11/2013 Strauser G04G 13/028
361/679.4
D730,865 S * 6/2015 Holzer D14/171
D756,326 S * 5/2016 Holzer D14/171

* cited by examiner

Primary Examiner — Prabhakar Deshmukh

(74) *Attorney, Agent, or Firm* — Ostrolenk Faber LLP

(57) **CLAIM**

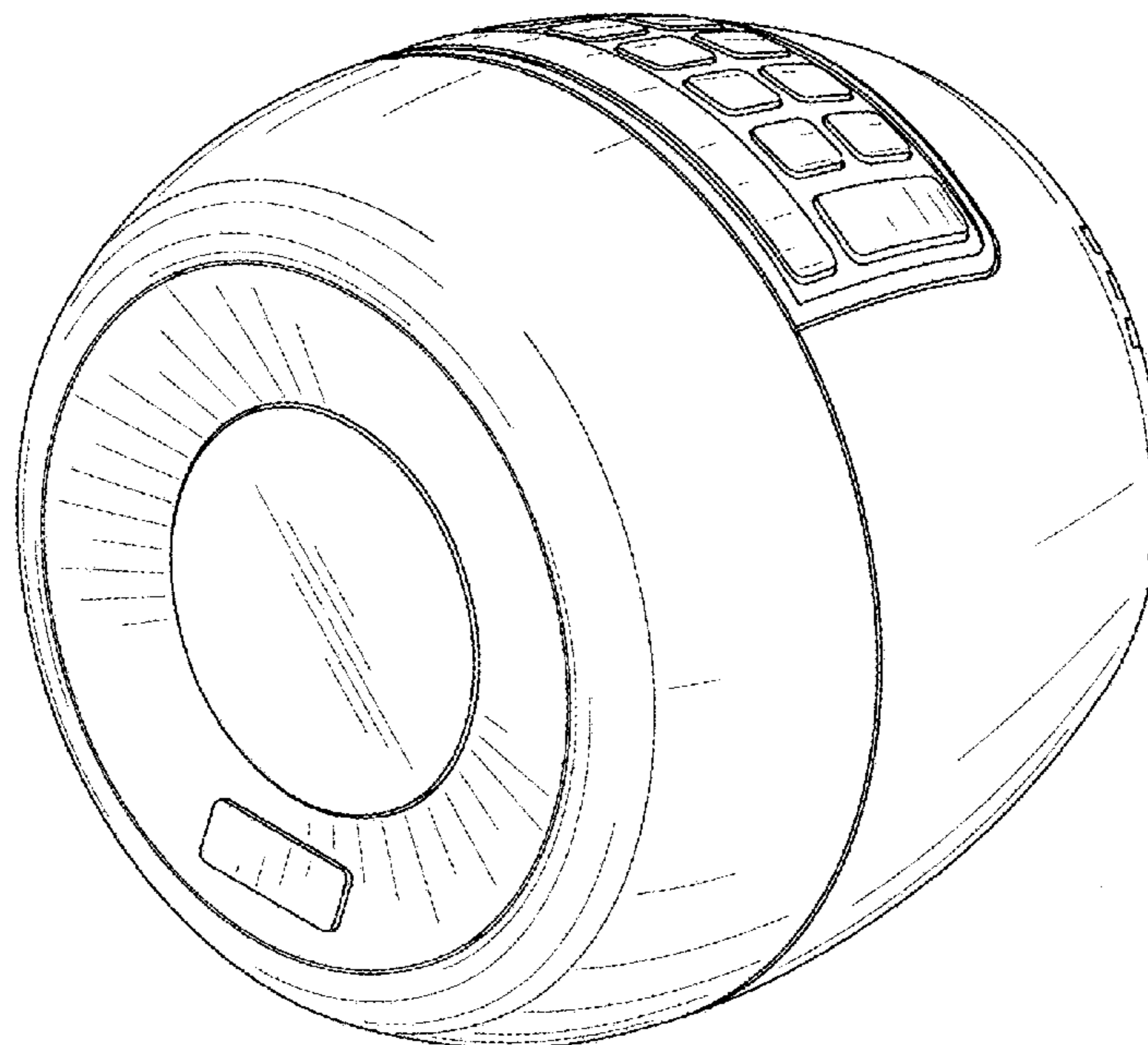
The ornamental design for a clock radio with colored LED lighting, as shown and described.

DESCRIPTION

FIG. 1 is a top, front perspective view of a clock radio with colored LED lighting showing my new design;
FIG. 2 is a front view thereof;
FIG. 3 is a rear view thereof;
FIG. 4 is a side view thereof, the opposite side view being a mirror image;
FIG. 5 is a top view thereof;
FIG. 6 is a bottom view thereof; and,
FIG. 7 is a cross-sectional view thereof along line 7-7 in FIG. 5.

The broken lines in the drawings illustrate environmental material that forms no part of the claimed design.

1 Claim, 7 Drawing Sheets



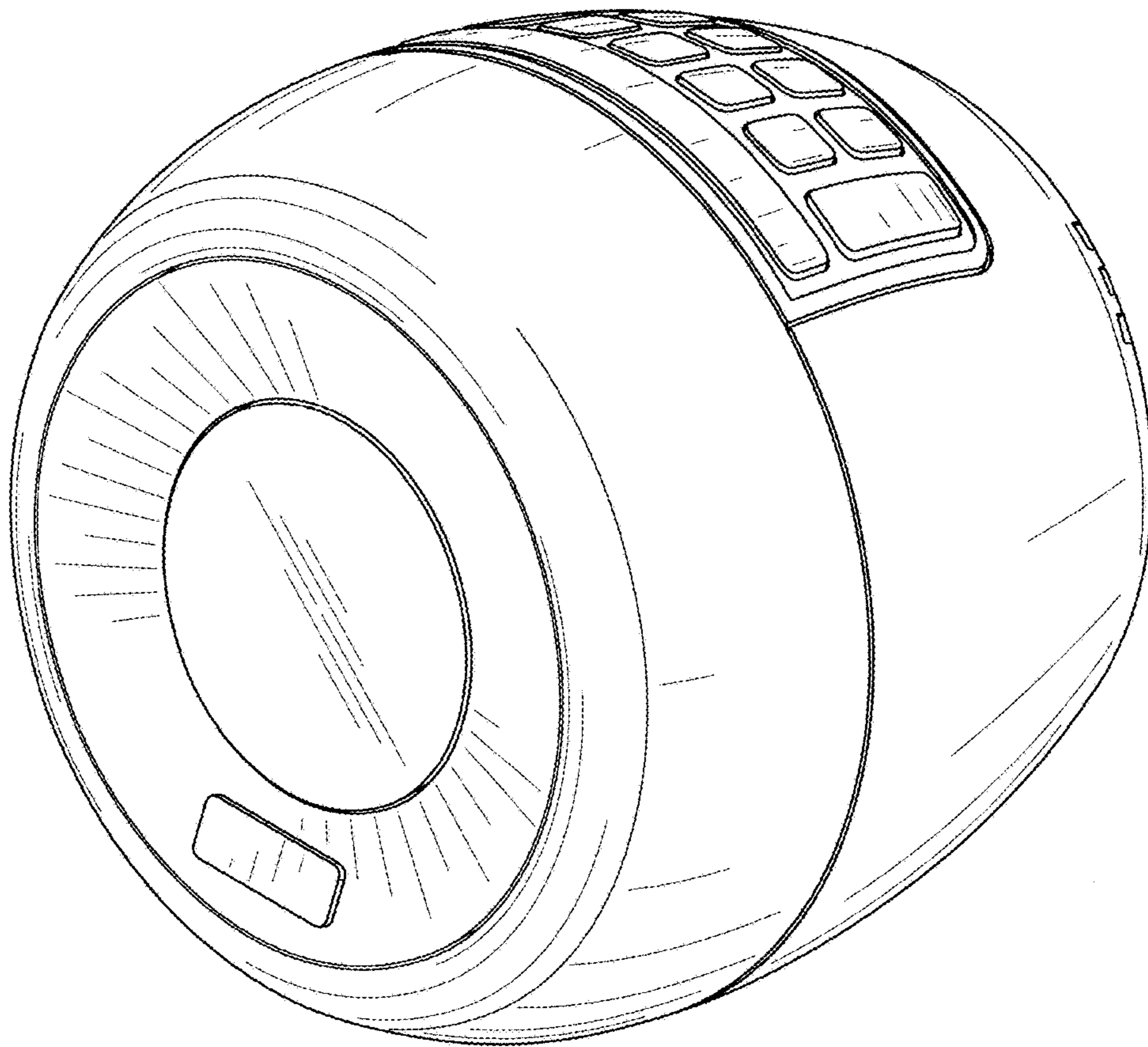


FIG. 1

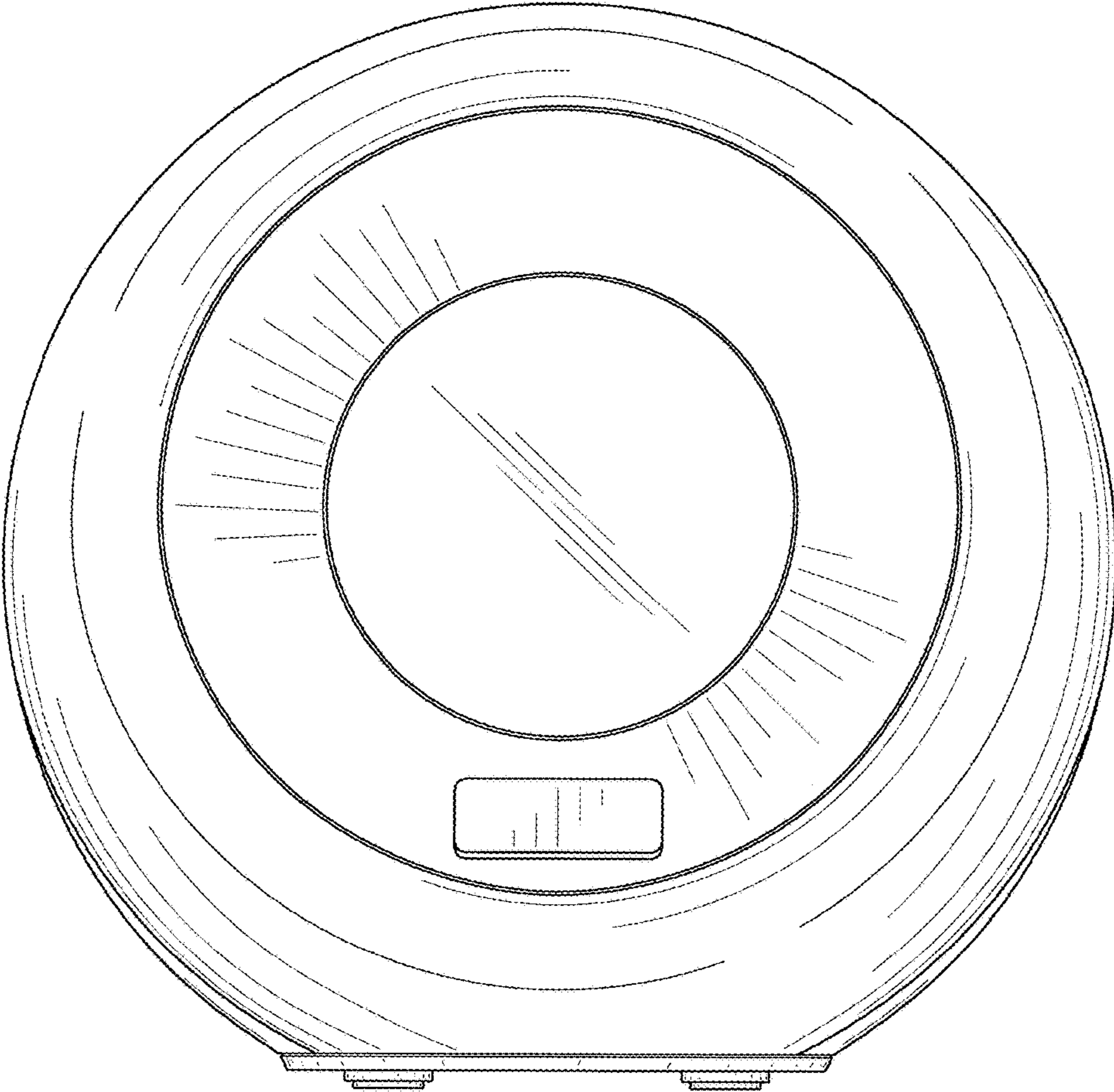


FIG. 2

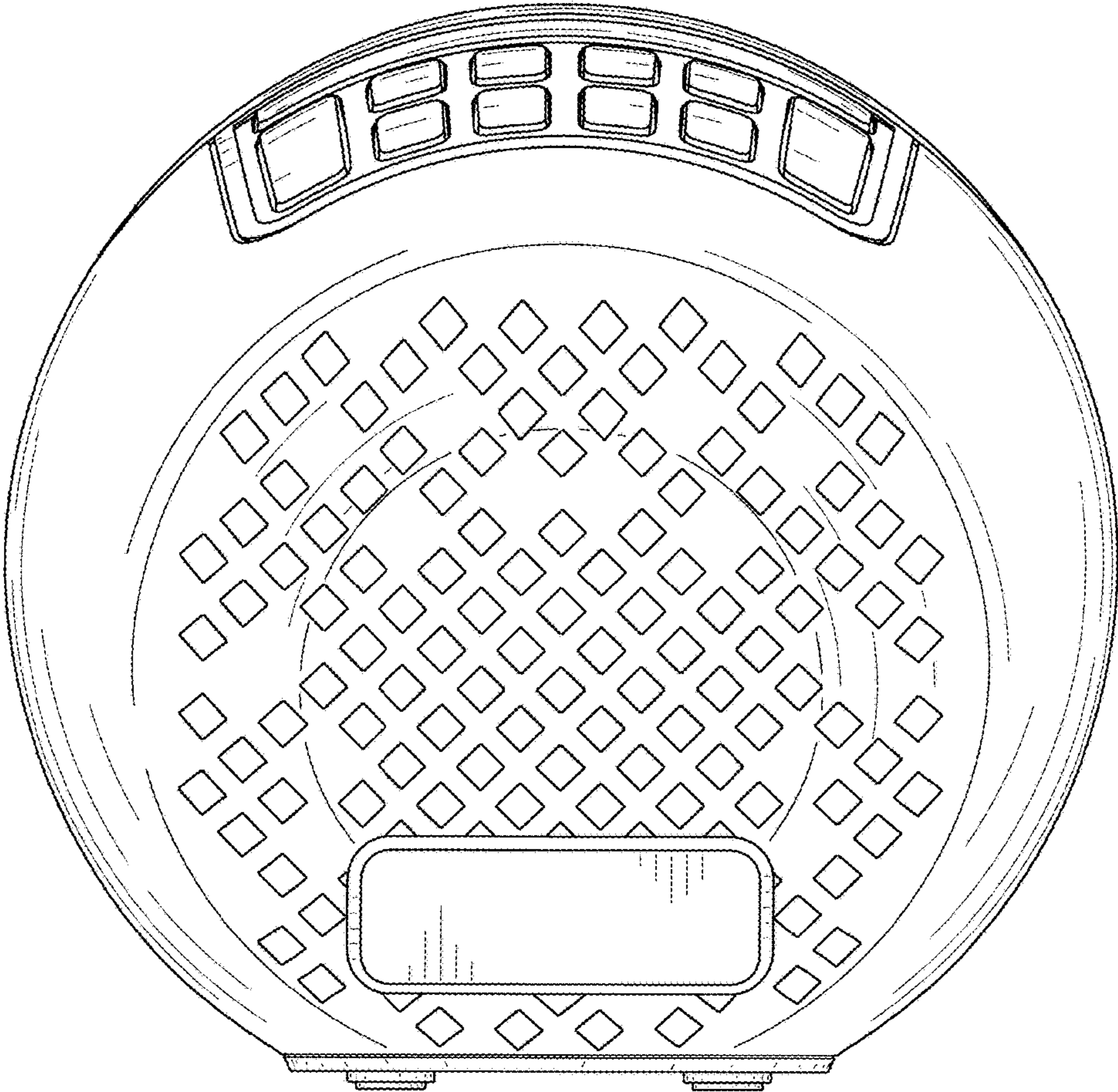


FIG. 3

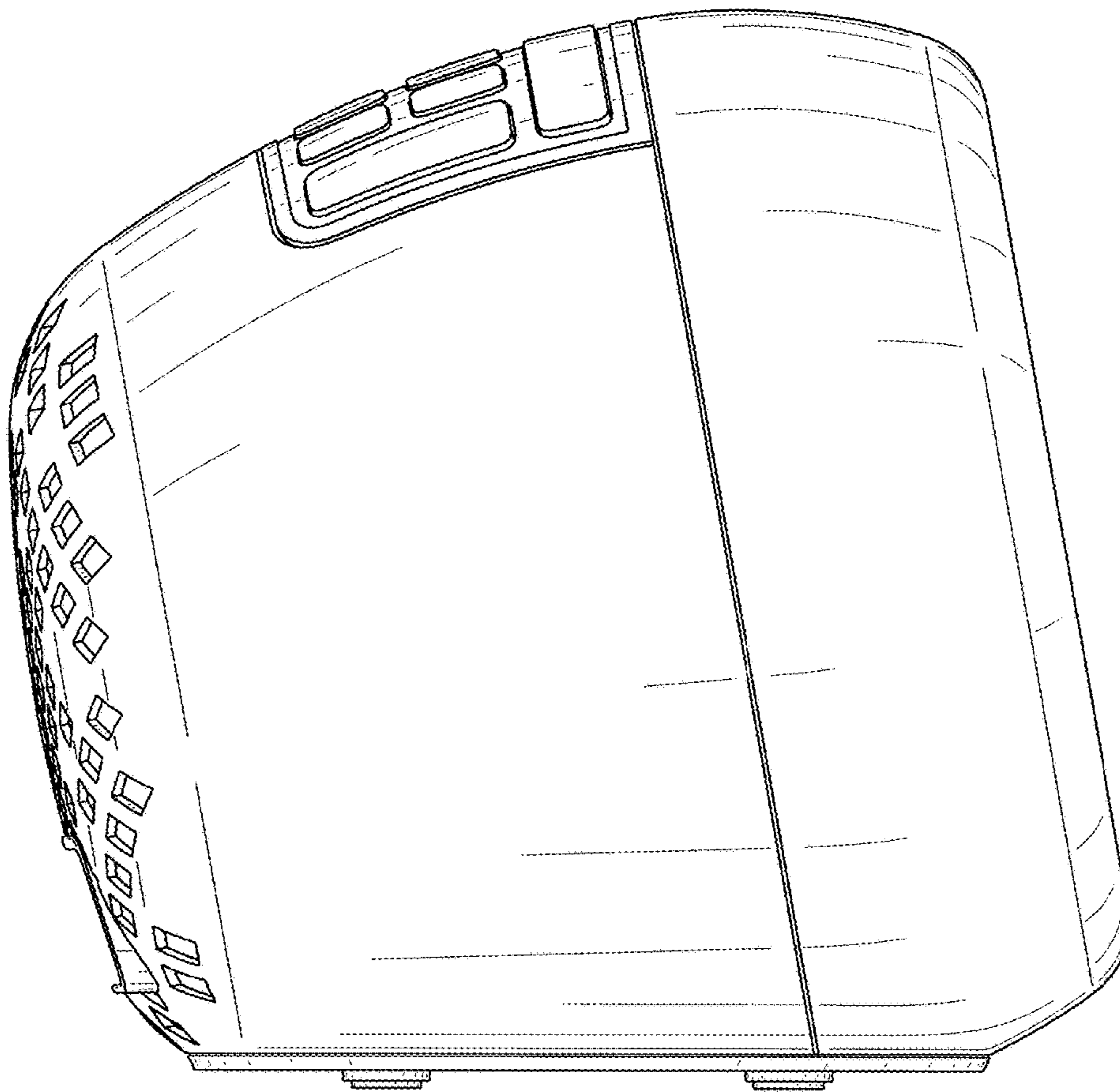


FIG. 4

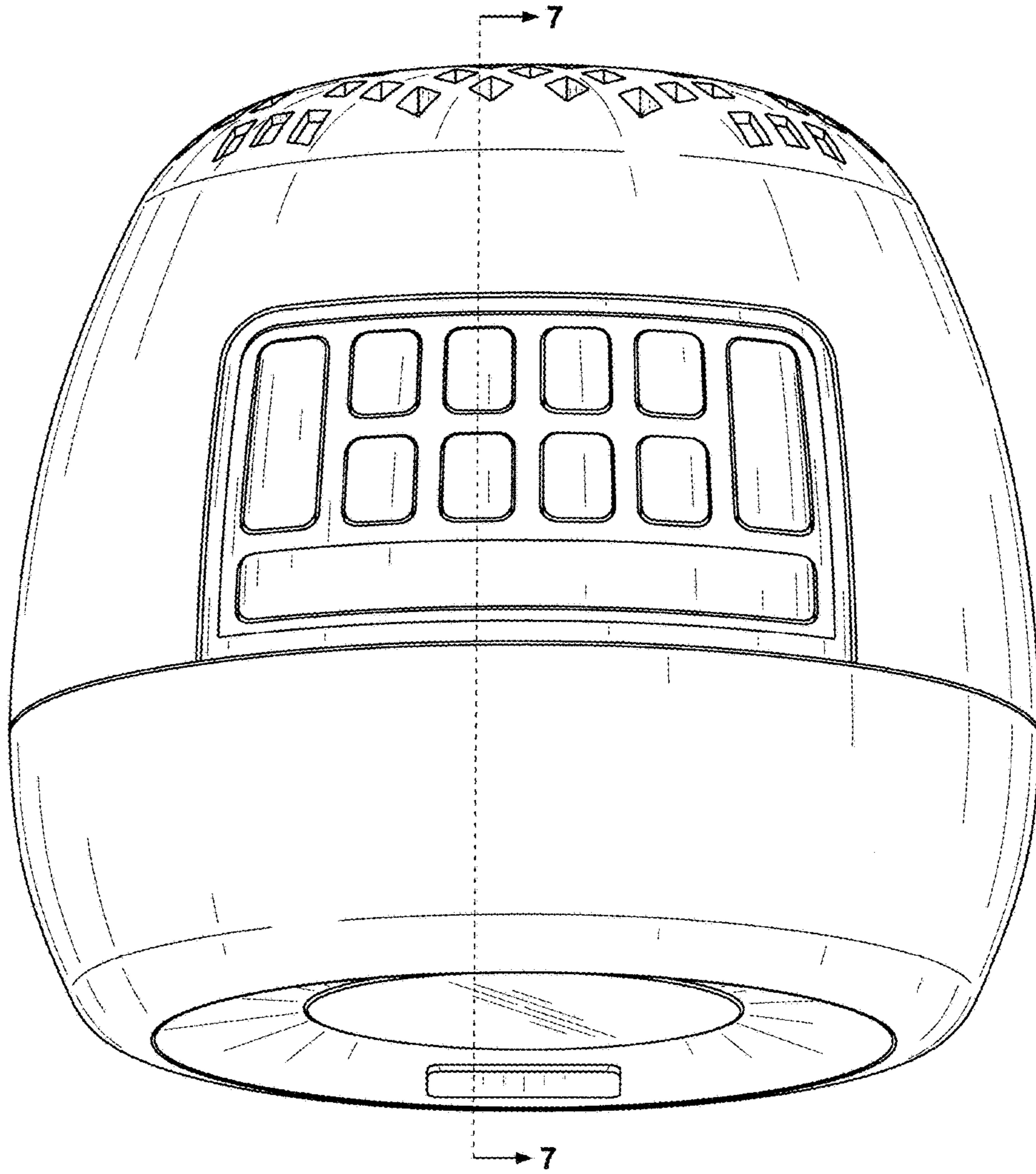


FIG. 5

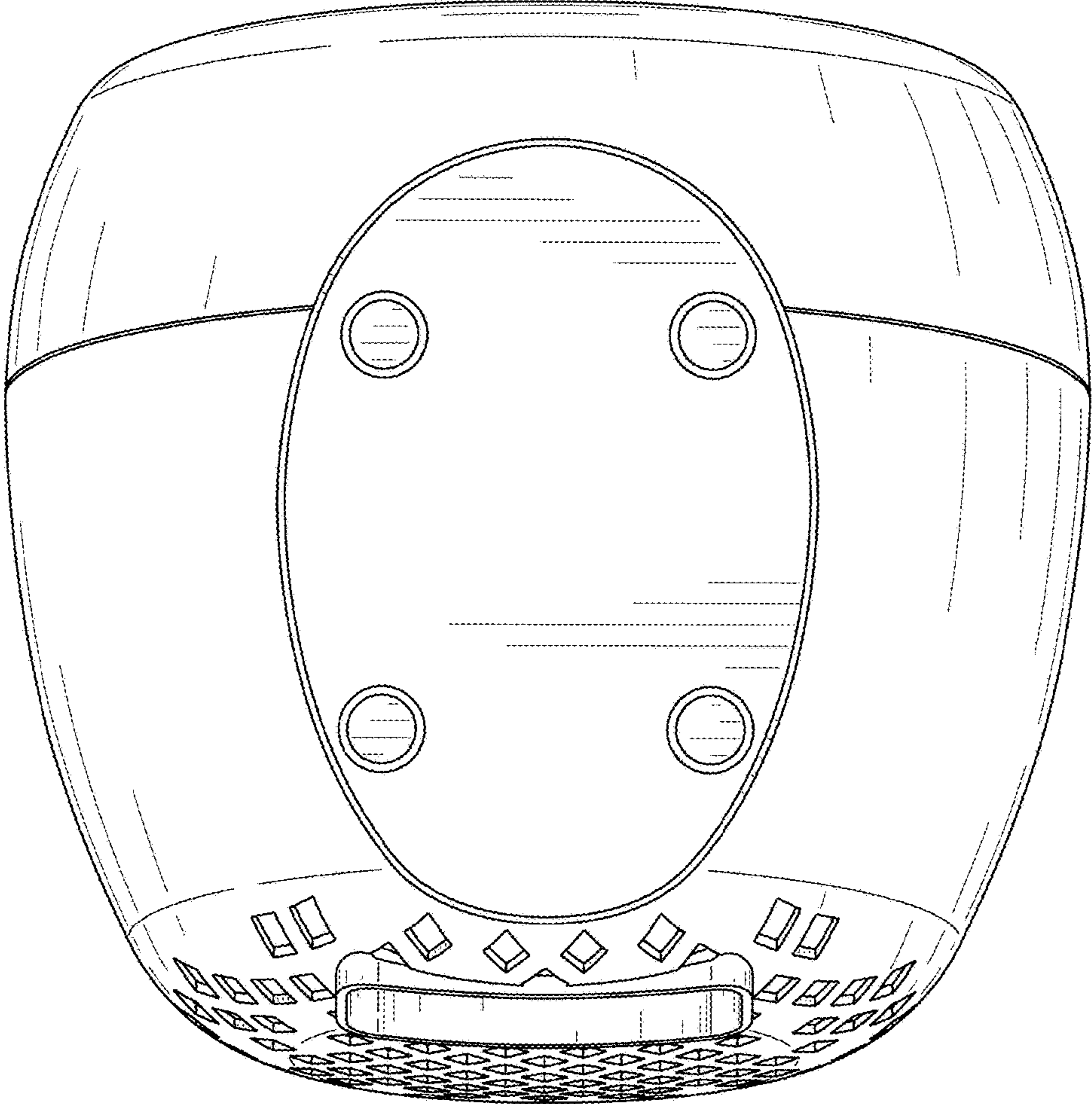


FIG. 6

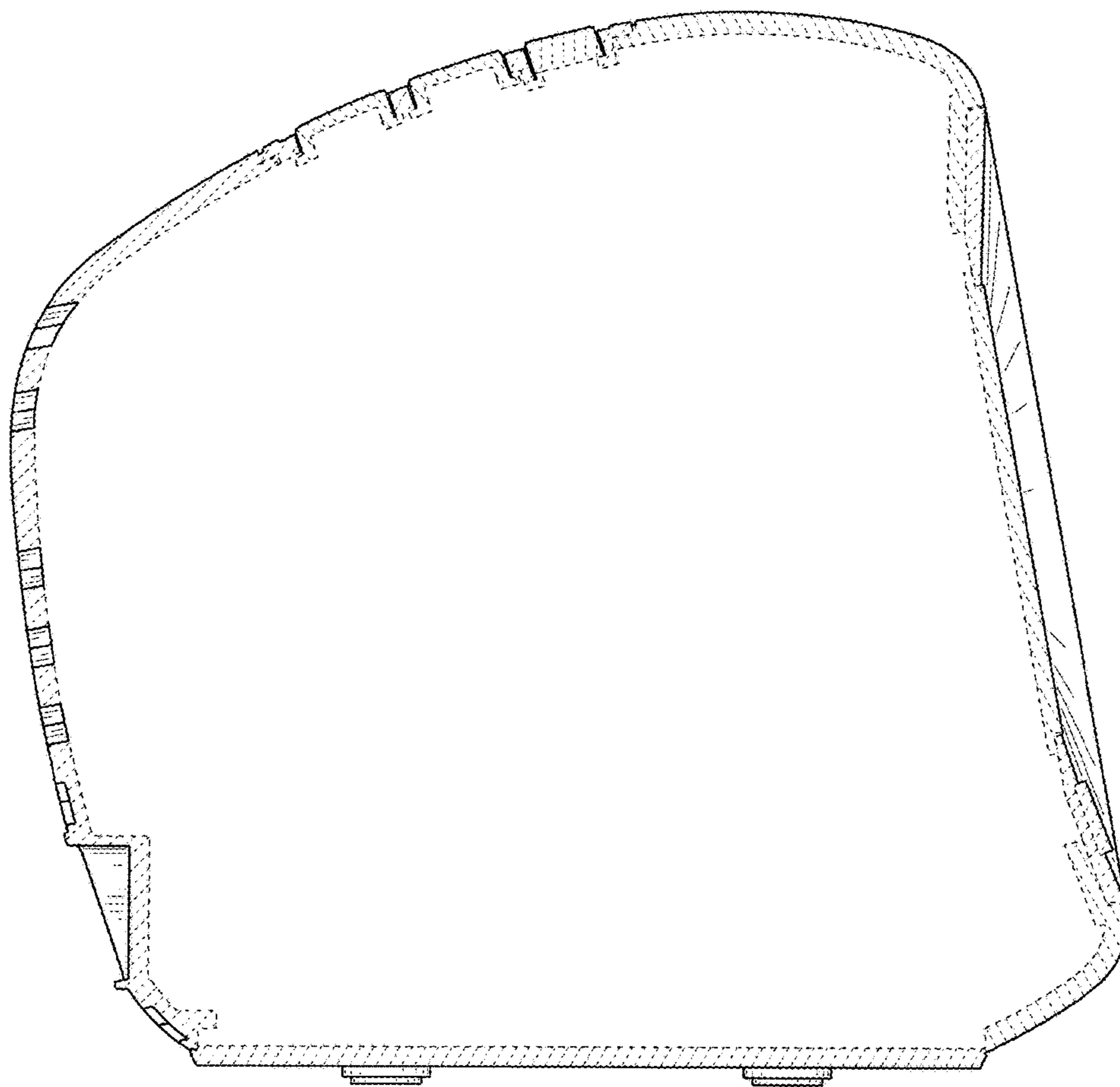


FIG. 7