



US00D780150S

(12) **United States Design Patent** (10) **Patent No.:** **US D780,150 S**
Border et al. (45) **Date of Patent:** **** Feb. 28, 2017**

(54) **TELECOMMUNICATIONS DEVICE**

(56) **References Cited**

(71) Applicant: **Dolby Laboratories Licensing Corporation**, San Francisco, CA (US)
(72) Inventors: **Andrew Border**, Los Altos, CA (US); **Christopher Bennett**, North Turrumurra (AU); **Thao D. Hovanky**, San Francisco, CA (US); **David Clementson**, Palo Alto, CA (US); **Jeffrey William Smith**, Los Altos, CA (US); **Venugopal Kalluri**, San Ramon, CA (US); **Lucas E. Saule**, San Francisco, CA (US); **Peter Michaelian**, Tappan, NY (US); **Quinn S. Huffstetler**, San Francisco, CA (US); **Charles K. Ambler**, San Francisco, CA (US)
(73) Assignee: **Dolby Laboratories Licensing Corporation**, San Francisco, CA (US)

U.S. PATENT DOCUMENTS

4,184,048 A	1/1980	Alcaide
D274,048 S	5/1984	Wong et al.
D286,774 S	11/1986	Geis et al.
D327,479 S	6/1992	Britz
D355,416 S	2/1995	McCay et al.
D378,578 S	3/1997	Eberhardt
D421,606 S	3/2000	Montalbo et al.
D444,777 S	7/2001	Bird et al.
D457,150 S	5/2002	Chen
D459,515 S	6/2002	Gaskins et al.

(Continued)

Primary Examiner — Sandra Snapp
Assistant Examiner — Holly E Thurman

(57) **CLAIM**

The ornamental design for a telecommunications device, as shown and described.

DESCRIPTION

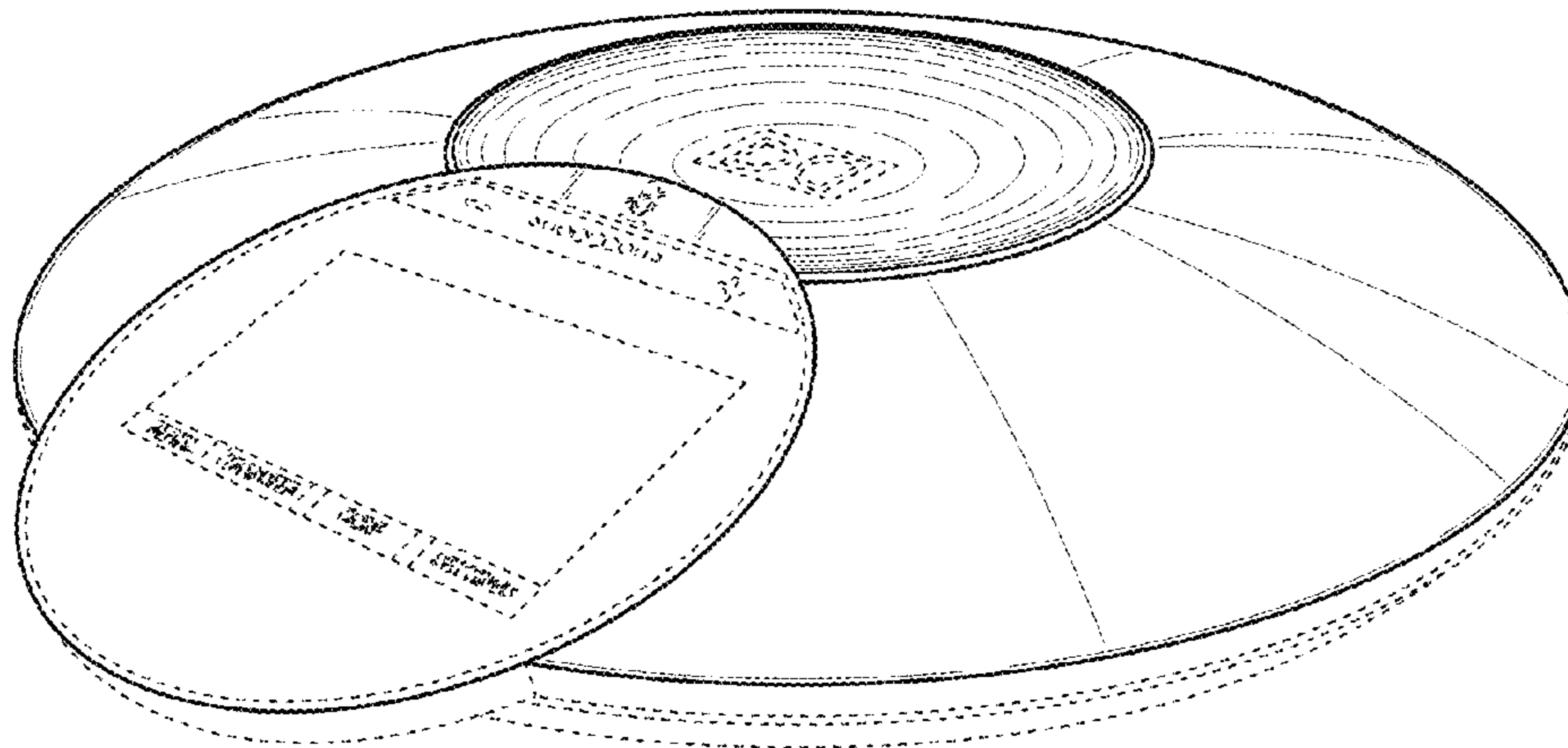
FIG. 1 is a top front perspective view of a telecommunications device showing our new design;
FIG. 2 is a top rear perspective view thereof;
FIG. 3 is a right side view thereof, the left side being a mirror image;
FIG. 4 is a top view thereof;
FIG. 5 is a front view thereof;
FIG. 6 is a top front perspective view of a second embodiment thereof;
FIG. 7 is a top rear perspective view thereof;
FIG. 8 is a right side view thereof, the left side being a mirror image;
FIG. 9 is a top view thereof; and,
FIG. 10 is a front view thereof.
The broken lines illustrate structure or features that form no part of the claimed design.
The drawings include surface shading that represents contour and not surface ornamentation.

(**) Term: **14 Years**
(21) Appl. No.: **29/526,417**
(22) Filed: **May 8, 2015**

Related U.S. Application Data

(62) Division of application No. 29/434,649, filed on Oct. 15, 2012, now Pat. No. Des. 731,996.
(51) **LOC (10) Cl.** **14-03**
(52) **U.S. Cl.**
USPC **D14/150**
(58) **Field of Classification Search**
USPC D14/130, 140, 142, 144, 147, 148, 149, D14/150, 151, 172, 204, 209.1, 213, 216, D14/221, 240, 242, 356, 358; D13/184, D13/199
CPC .. G05D 23/1904; G08C 17/02; H01H 19/005; H01H 9/0235; H04M 1/6041
See application file for complete search history.

1 Claim, 6 Drawing Sheets



(56)

References Cited

U.S. PATENT DOCUMENTS

D474,169 S 5/2003 Fletcher
 D481,370 S 10/2003 Popowski et al.
 D495,676 S 9/2004 Slevin et al.
 D499,392 S 12/2004 Bathurst et al.
 D507,569 S 7/2005 Tagliabue et al.
 D510,571 S 10/2005 Cutler et al.
 D514,122 S 1/2006 Rodarte
 7,159,789 B2 1/2007 Schwendinger et al.
 D542,273 S 5/2007 Park et al.
 D560,209 S 1/2008 Kim et al.
 D612,832 S 3/2010 Li et al.
 D612,865 S 3/2010 Zhang
 8,188,842 B2 5/2012 Otsuka et al.
 D685,755 S 7/2013 Shin et al.
 D685,790 S 7/2013 Tang
 D704,177 S * 5/2014 Chun D14/240
 D704,178 S * 5/2014 Kwak D14/240
 D711,345 S * 8/2014 Liu D14/140
 D720,334 S * 12/2014 Wang D14/204
 D725,088 S * 3/2015 Kwak D14/240

D727,297 S * 4/2015 Valeur D14/216
 D730,872 S * 6/2015 Wan D14/216
 D731,996 S * 6/2015 Border D14/150
 D738,353 S * 9/2015 Slaato D14/216
 D738,858 S * 9/2015 Tuhkanen D14/218
 D743,380 S * 11/2015 Kim D14/215
 D743,383 S * 11/2015 Hinokio D14/225
 9,271,069 B2 * 2/2016 Hartung H04M 3/567
 D751,052 S * 3/2016 Jones D14/203.6
 D752,014 S * 3/2016 Bolmstrand D14/204
 D752,024 S * 3/2016 Kachwalla D14/216
 D755,162 S * 5/2016 He D14/216
 D755,750 S * 5/2016 Chen D14/172
 D755,792 S * 5/2016 Lessel D14/435
 D756,955 S * 5/2016 Wagner D14/203.6
 D757,689 S * 5/2016 Misik D14/216
 D764,461 S * 8/2016 Romanoff D14/358
 D765,617 S * 9/2016 Mackiewicz D14/216
 D766,205 S * 9/2016 Conti D14/204
 D766,214 S * 9/2016 Mackiewicz D14/216
 2010/0002899 A1 1/2010 Tamaru
 2013/0028457 A1 1/2013 Yeh et al.

* cited by examiner

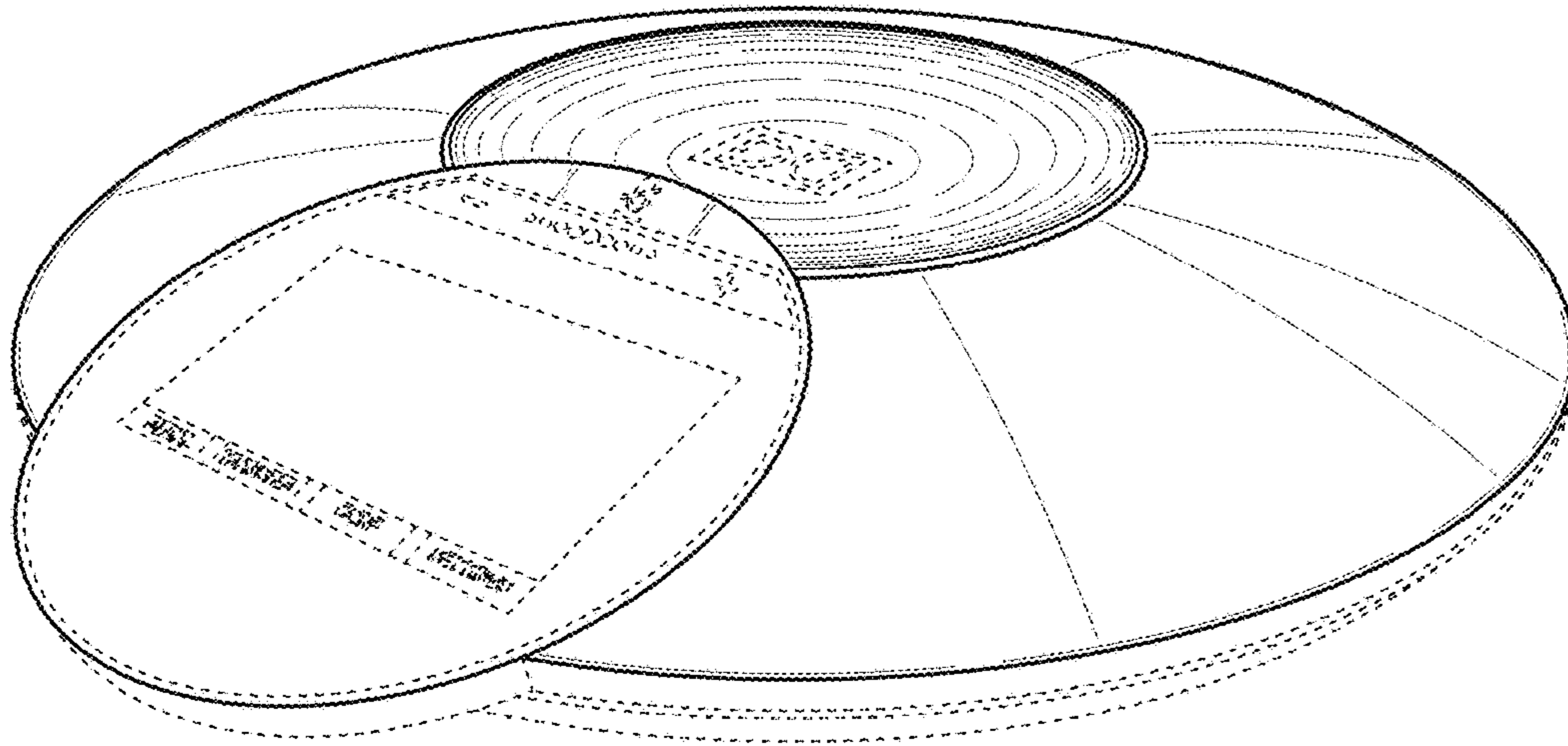


Fig. 1

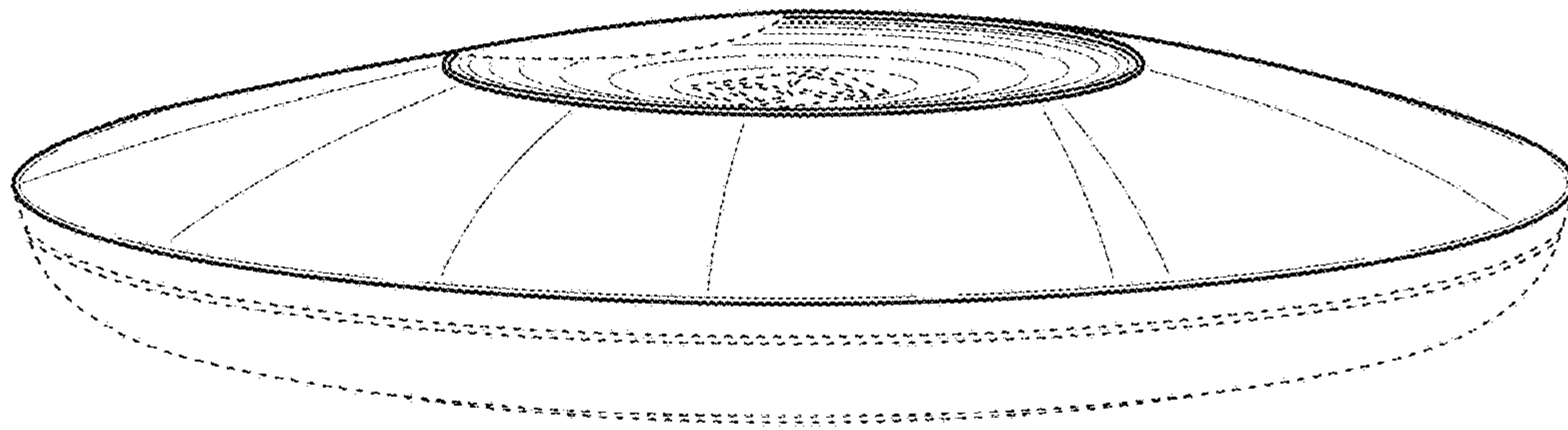


Fig. 2

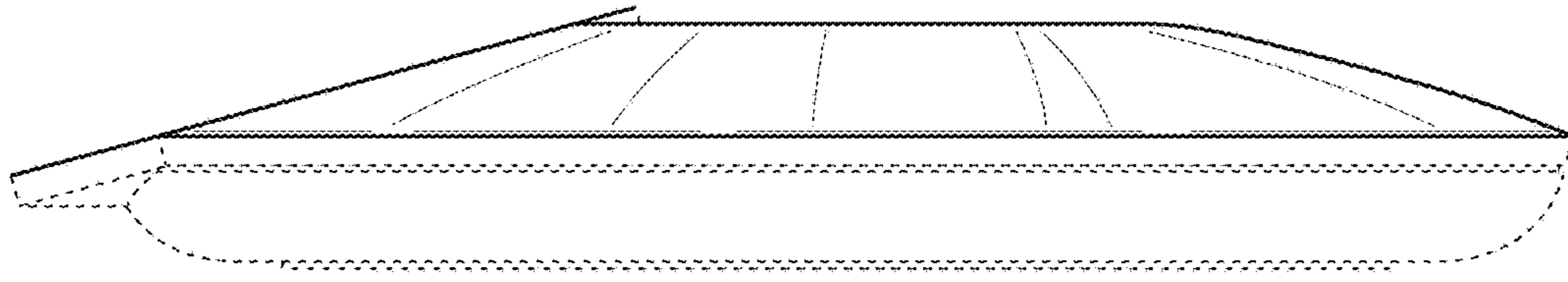


Fig. 3

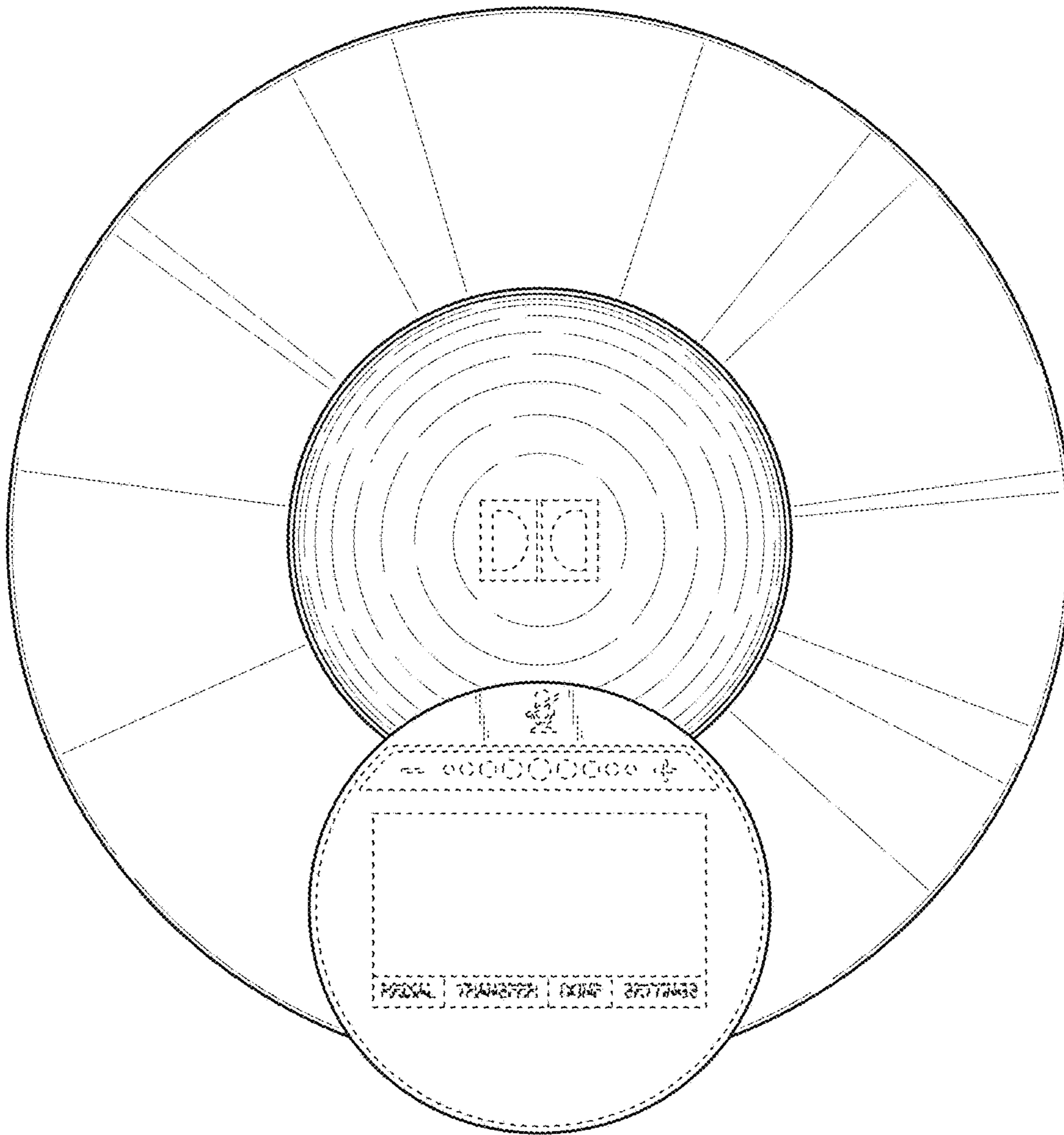


Fig. 4

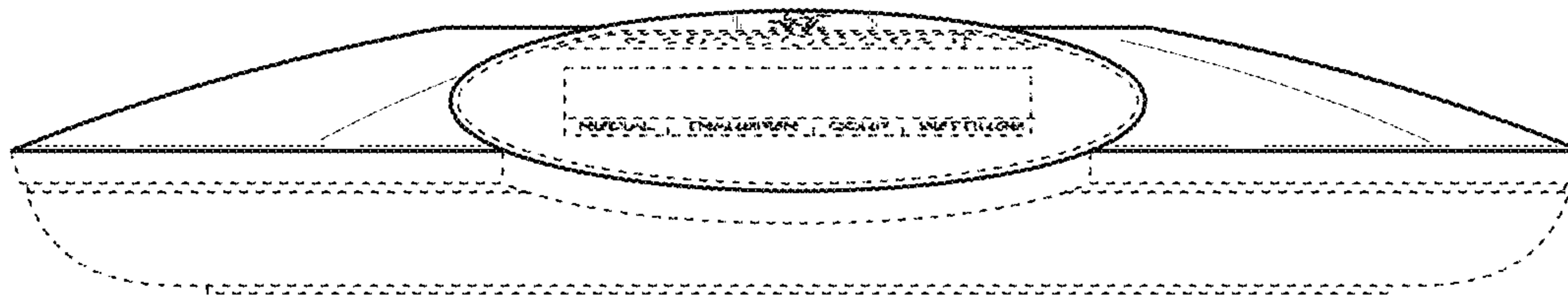


Fig. 5

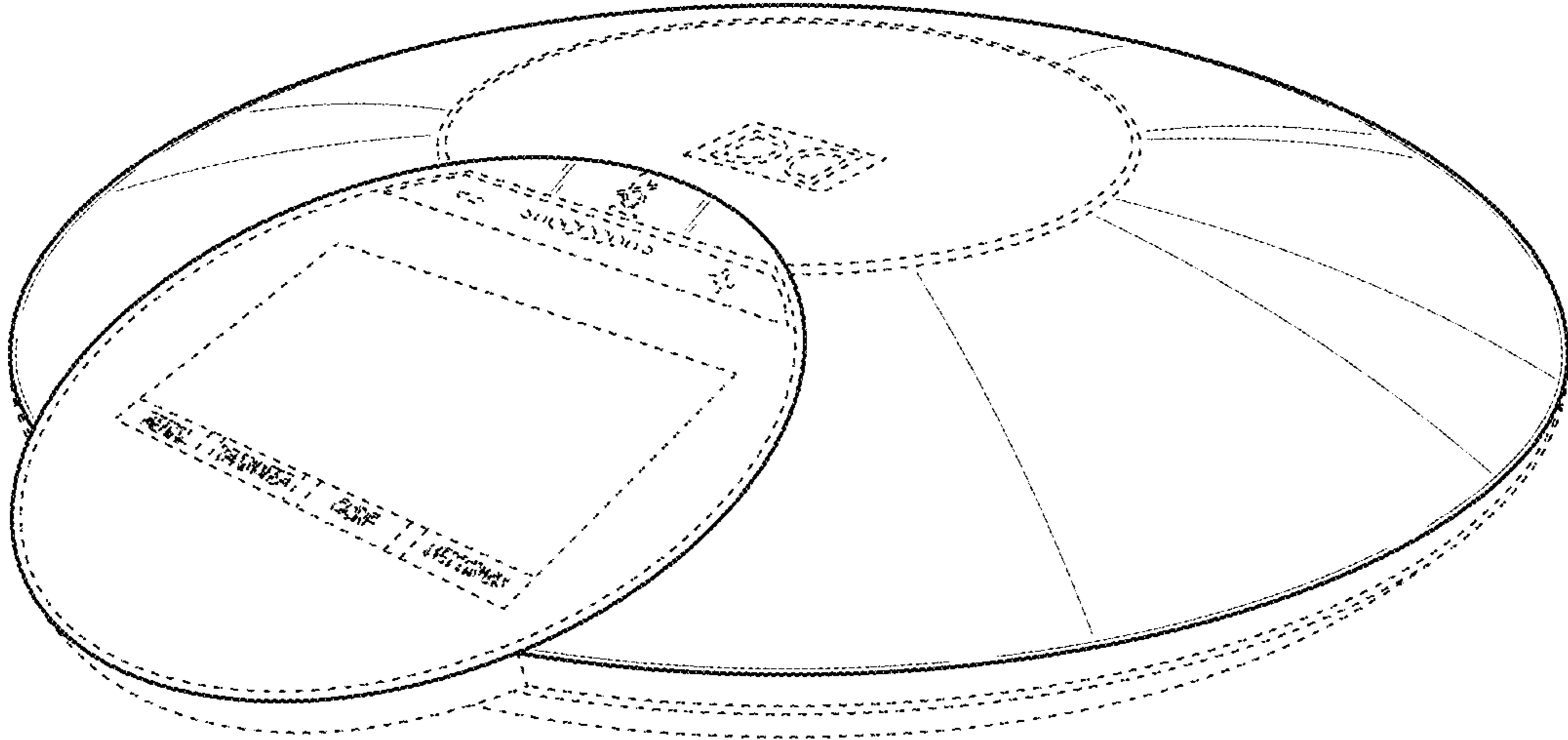


Fig. 6

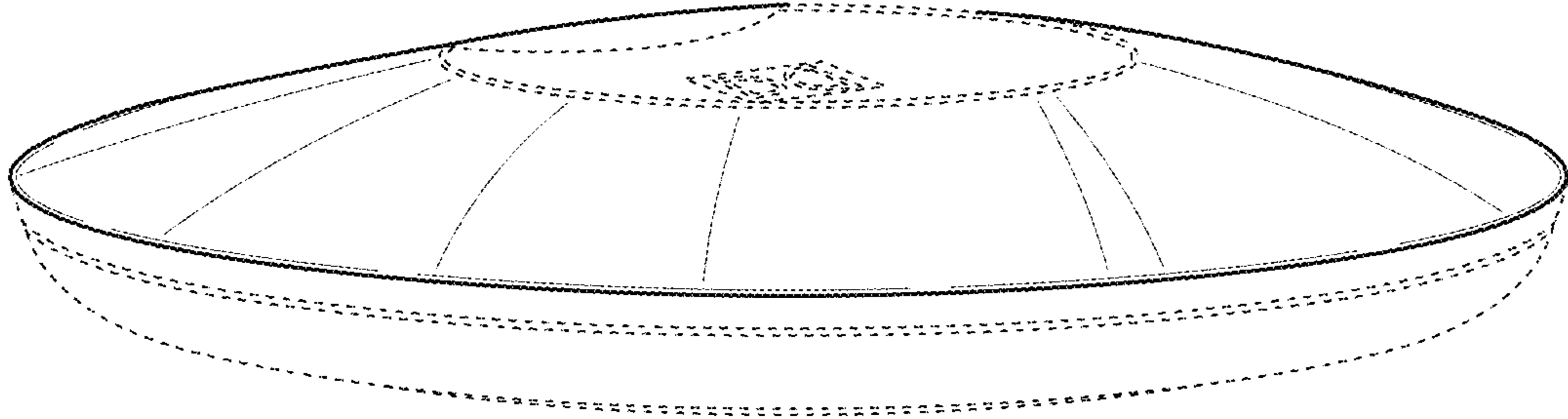


Fig. 7

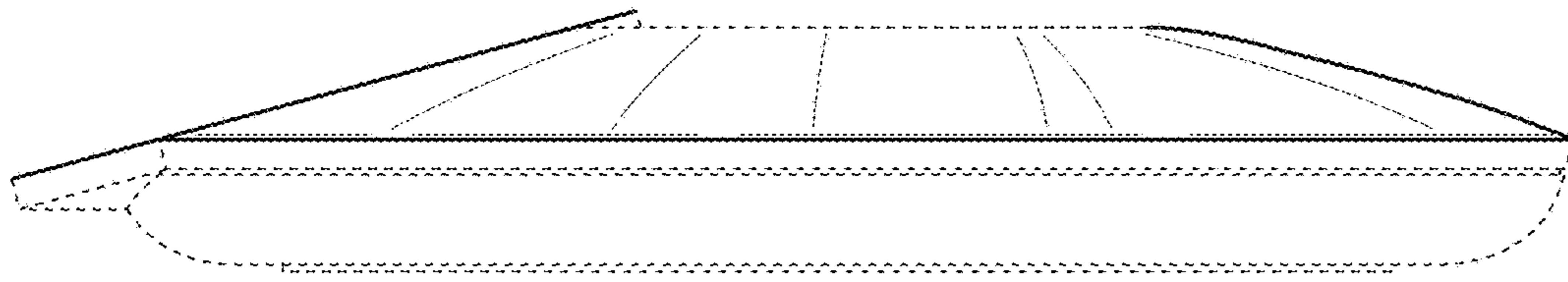


Fig. 8

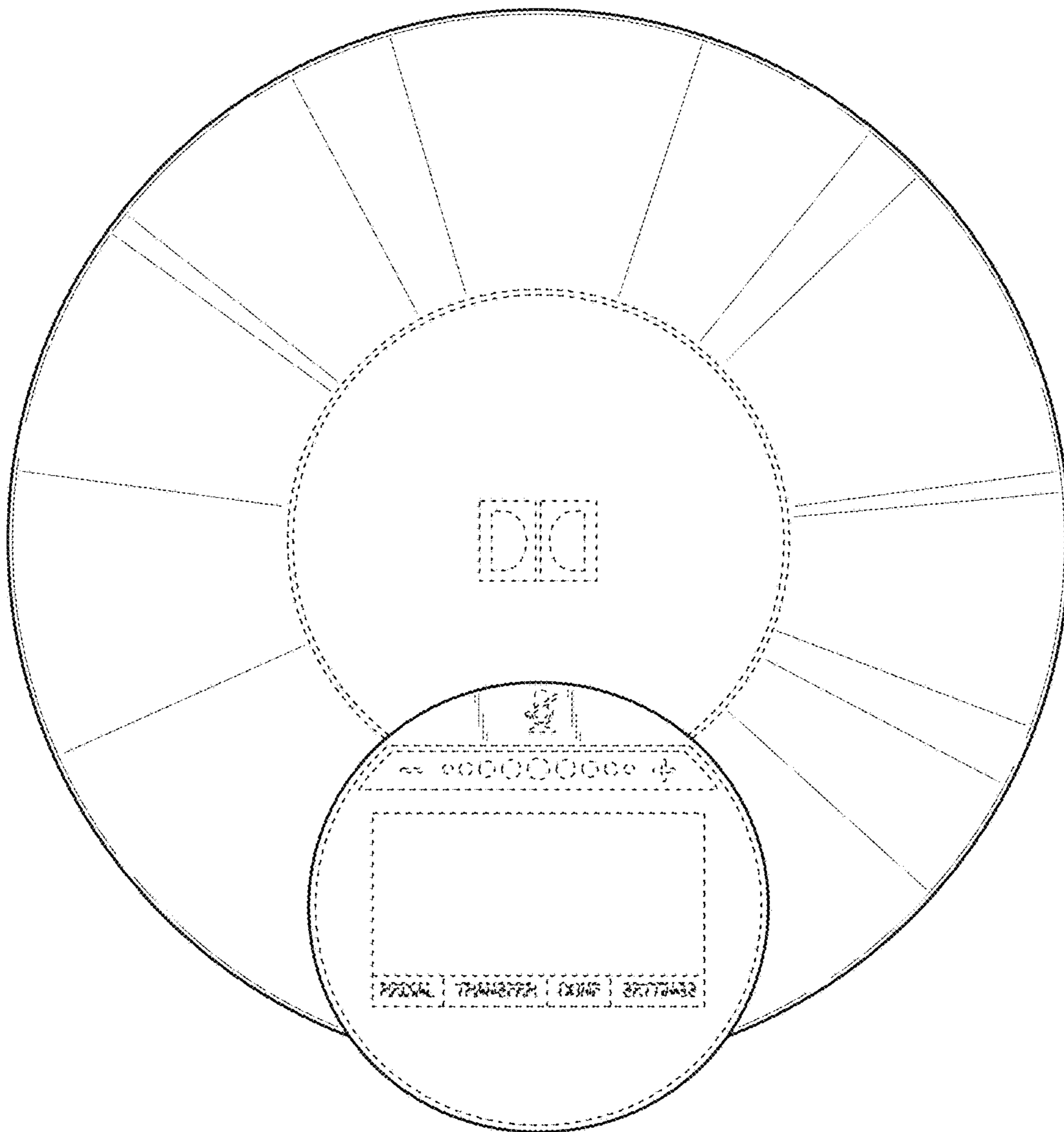


Fig. 9

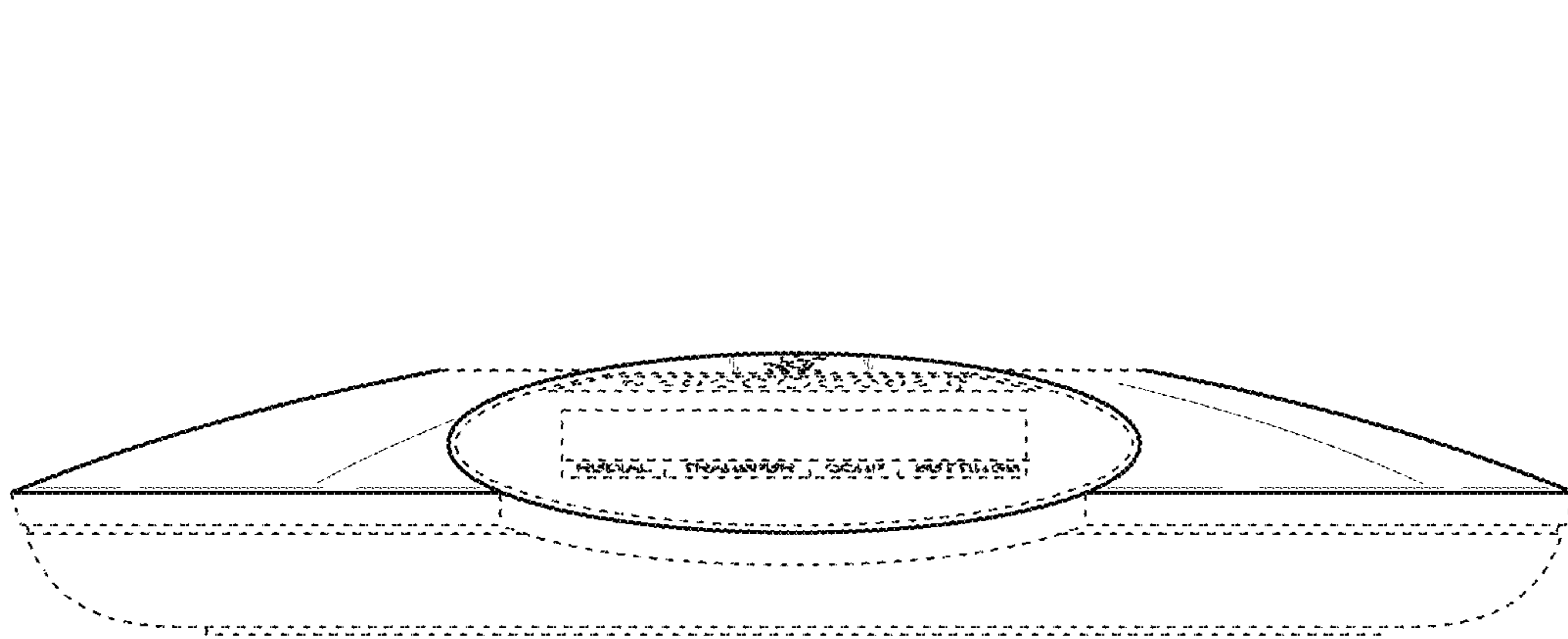


Fig. 10