



US00D780141S

(12) **United States Design Patent** (10) **Patent No.:** **US D780,141 S**
Galitz et al. (45) **Date of Patent:** **** Feb. 28, 2017**

(54) **CONNECTOR HOLDER**

(71) Applicant: **ABBVIE INC.**, North Chicago, IL (US)

(72) Inventors: **Charles Michael Galitz**, Kenosha, WI (US); **Thomas Grazier**, Spring Grove, IL (US); **Gordon Ritter**, Lake Geneva, WI (US); **Randall Fergen**, Mundelein, IL (US)

(73) Assignee: **ABBVIE INC.**, North Chicago, IL (US)

(**) Term: **15 Years**

(21) Appl. No.: **29/542,467**

(22) Filed: **Oct. 14, 2015**

(51) **LOC (10) Cl.** **24-99**

(52) **U.S. Cl.**
USPC **D14/128**

(58) **Field of Classification Search**
USPC D24/107, 108, 112–114, 117, 127–130,
D24/227; D8/373
CPC A61M 2039/1066; A61M 5/1414;
A61M 5/1415
See application file for complete search history.

(56) **References Cited**

U.S. PATENT DOCUMENTS

D239,286 S * 3/1976 Bottcher D19/135
5,464,183 A 11/1995 McConnell et al.
D414,273 S * 9/1999 Smith D24/128
D432,651 S * 10/2000 Wiechman D24/128
6,758,453 B1 * 7/2004 Ralko A47K 5/13
248/104

D562,116 S * 2/2008 Ziaylek D8/373
D618,987 S * 7/2010 Ziaylek D8/373
2014/0097313 A1 * 4/2014 Hesketh A61G 7/0503
248/226.11
2015/0144515 A1 * 5/2015 Chartres A61B 1/015
206/370

OTHER PUBLICATIONS

U.S. Appl. No. 29/542478, filed Oct. 14, 2015 (Charles Michael Galitz, et al.).

* cited by examiner

Primary Examiner — Ian Simmons

Assistant Examiner — Richelle G Shelton

(74) *Attorney, Agent, or Firm* — Baker Botts L.L.P.

(57) **CLAIM**

The ornamental design for a connector holder, as shown and described.

DESCRIPTION

FIG. 1 is a perspective view of our design for a connector holder.

FIG. 2 is a front view of the connector holder of FIG. 1.

FIG. 3 is a rear view of the connector holder of FIG. 1.

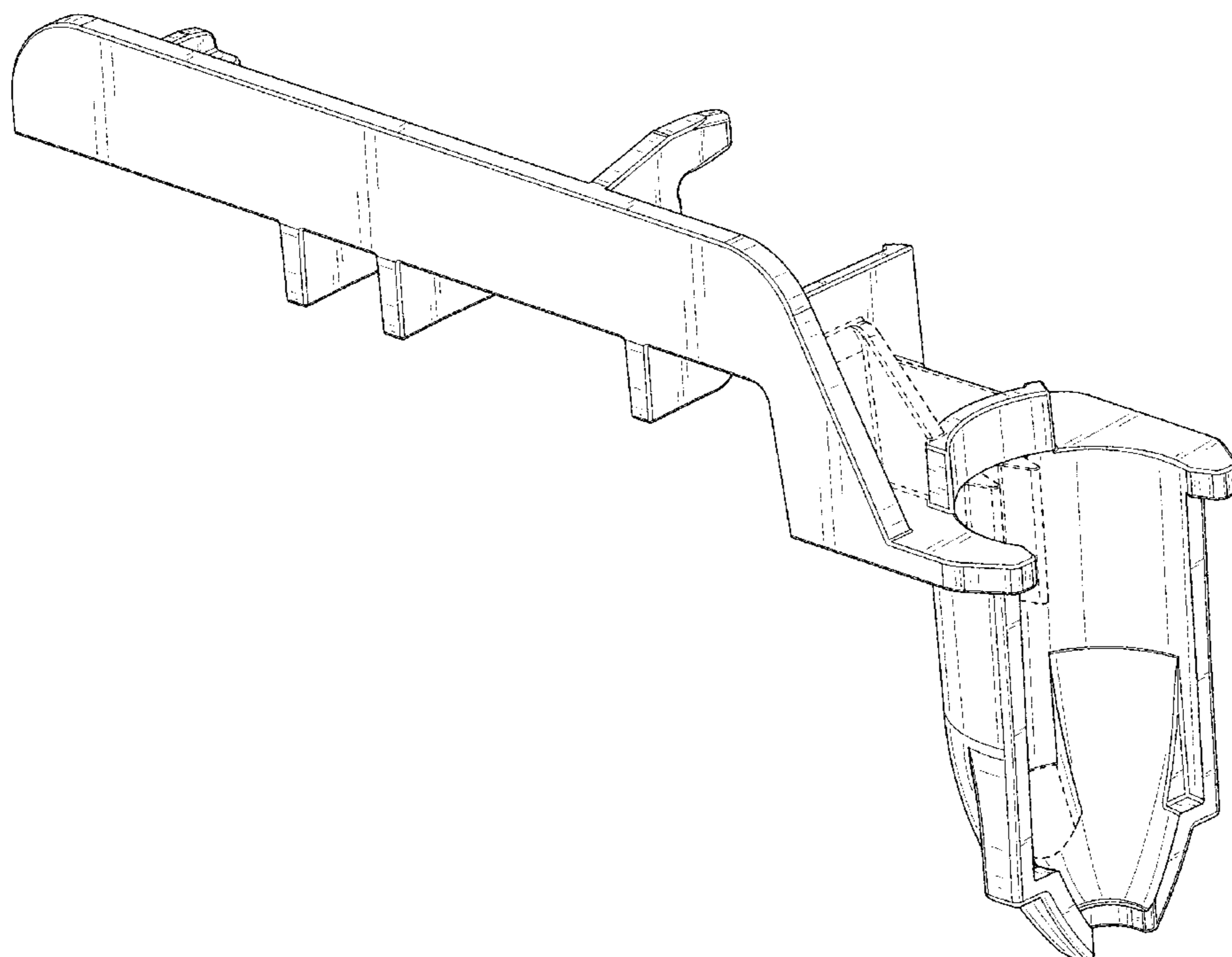
FIG. 4 is a left side view of the connector holder of FIG. 1.

FIG. 5 is a right side view of the connector holder of FIG. 1.

FIG. 6 is a top view of the connector holder of FIG. 1; and, FIG. 7 is a bottom view of the connector holder of FIG. 1.

The broken lines shown throughout these figures depict environmental subject matter only and form no part of the claimed design.

1 Claim, 7 Drawing Sheets



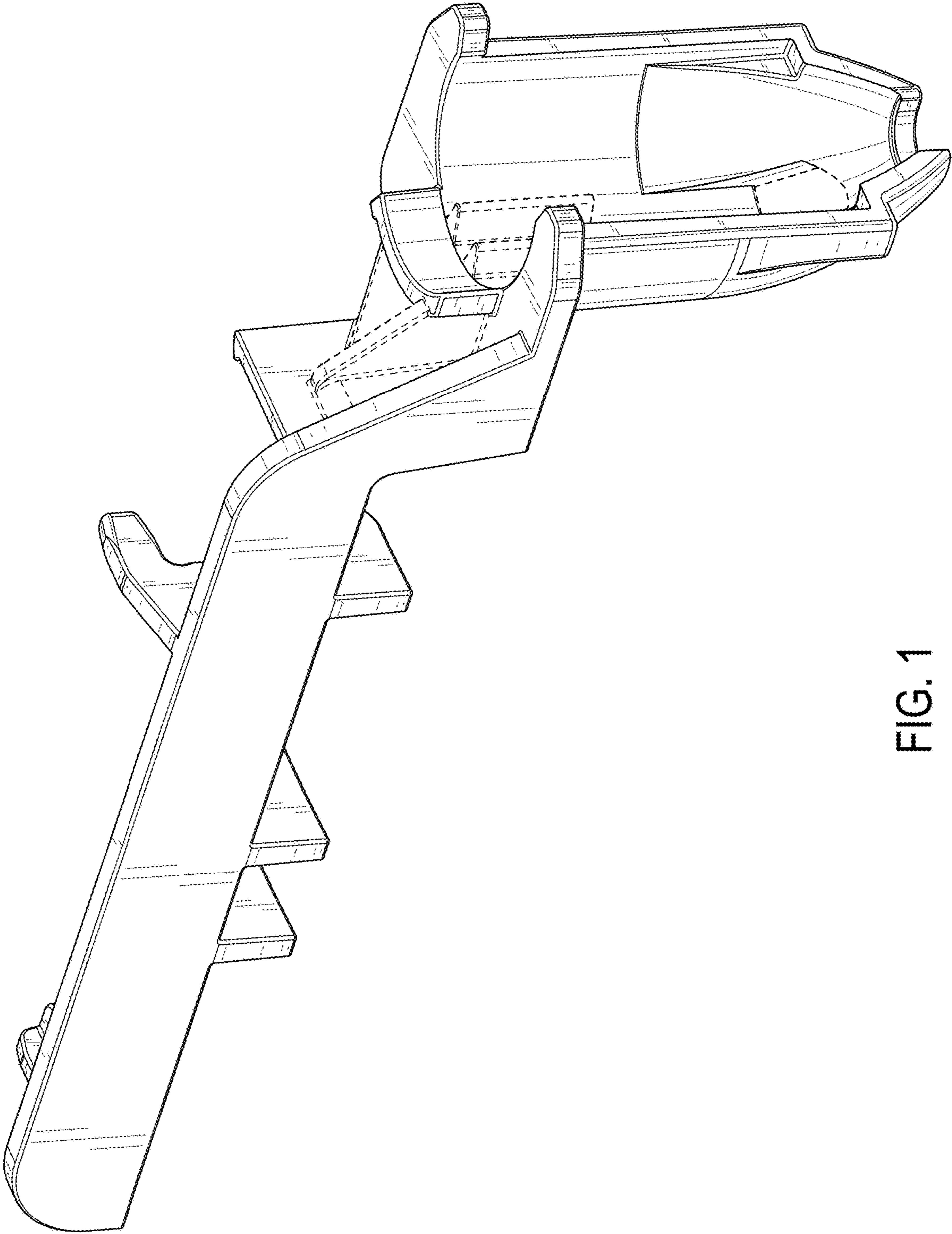


FIG. 1

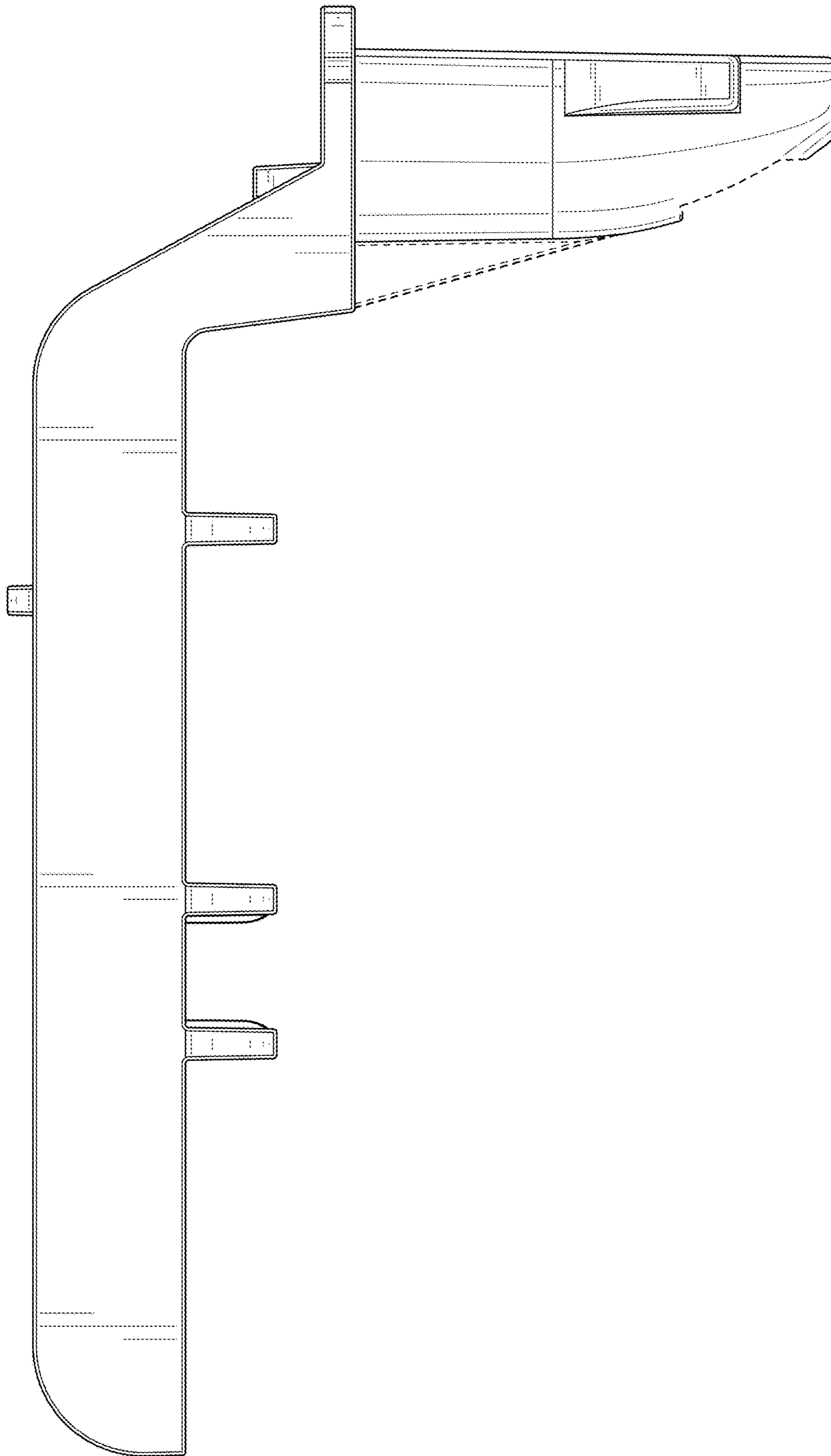


FIG. 2

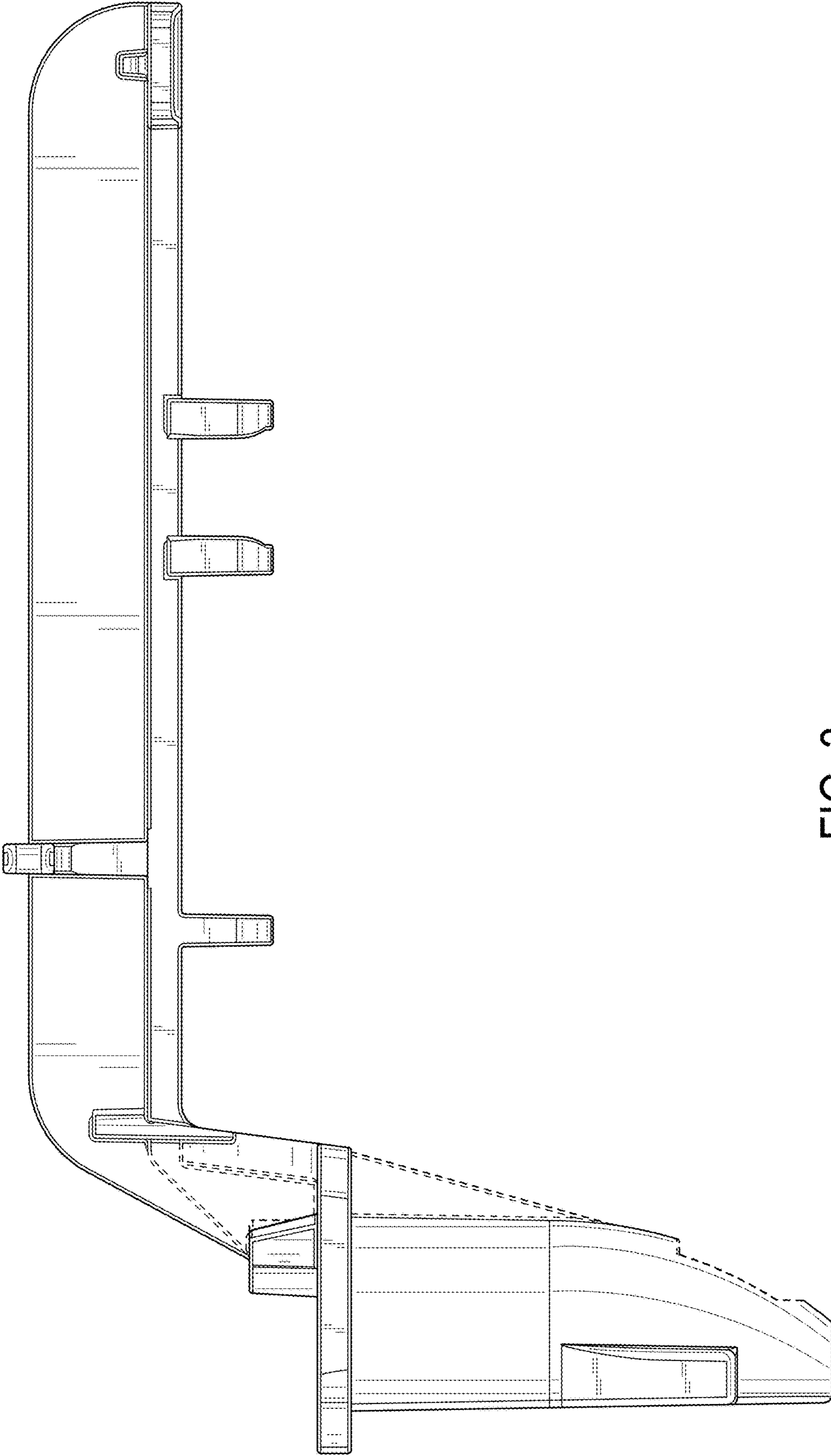


FIG. 3

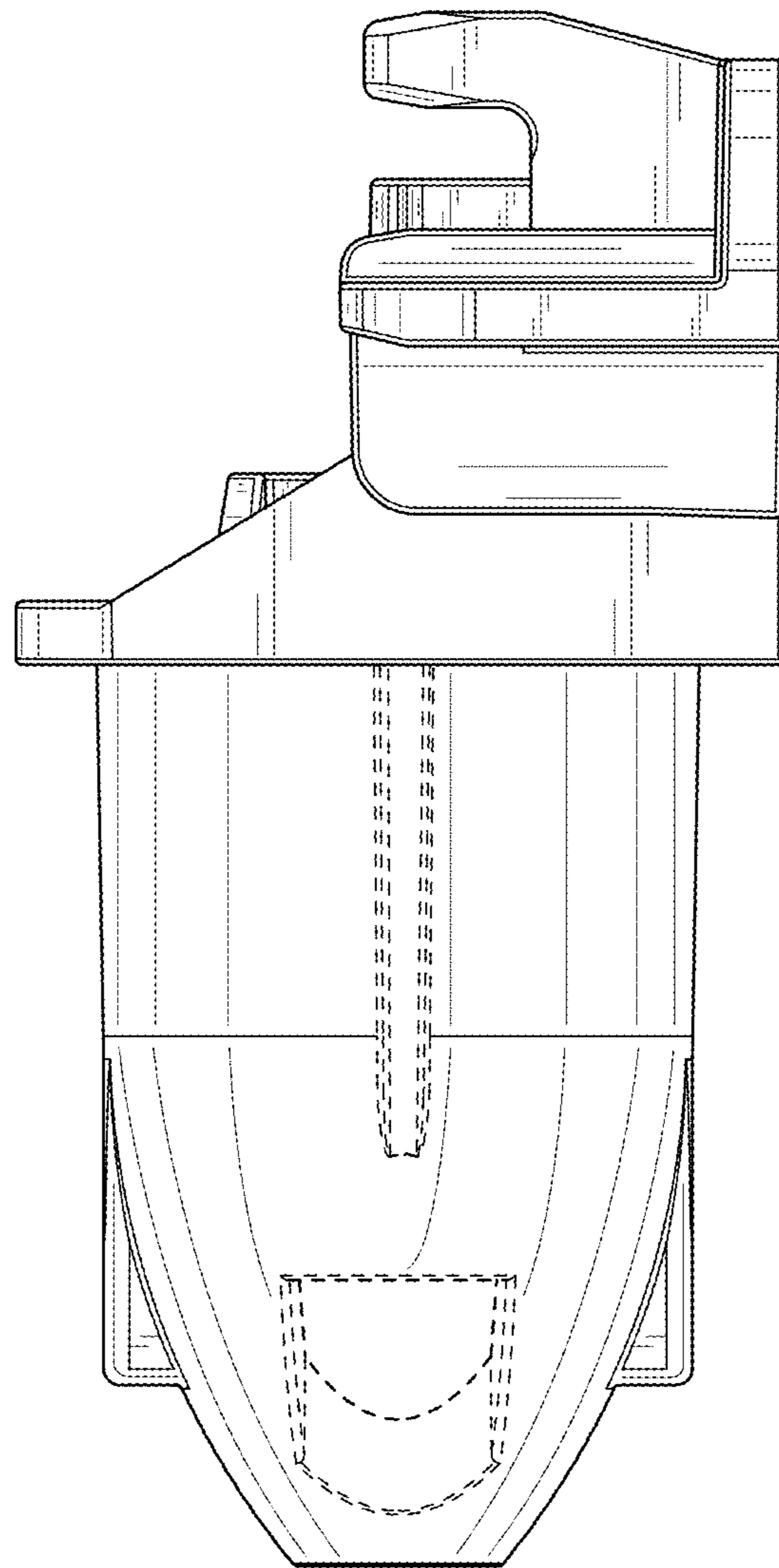


FIG. 4

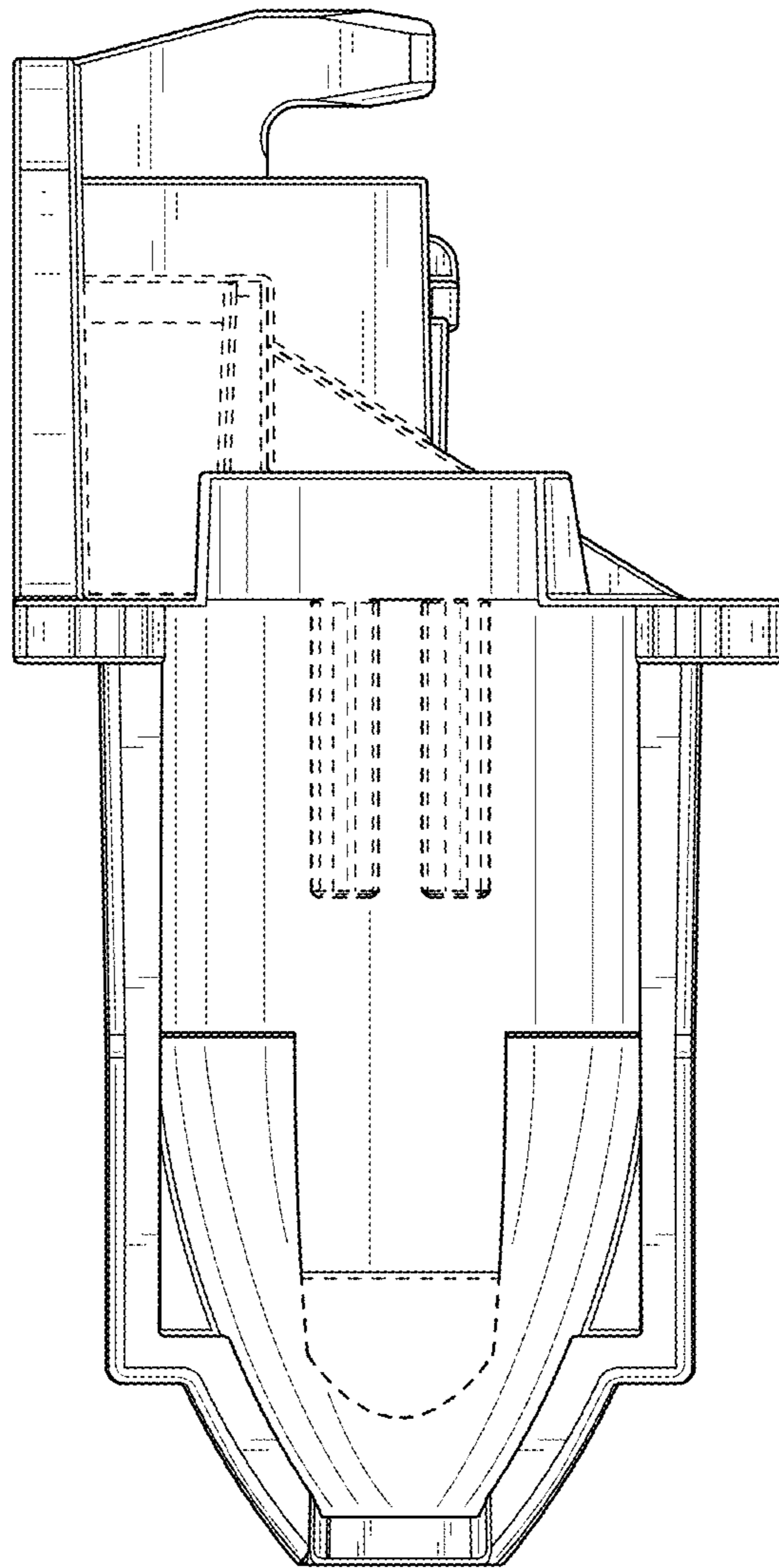


FIG. 5

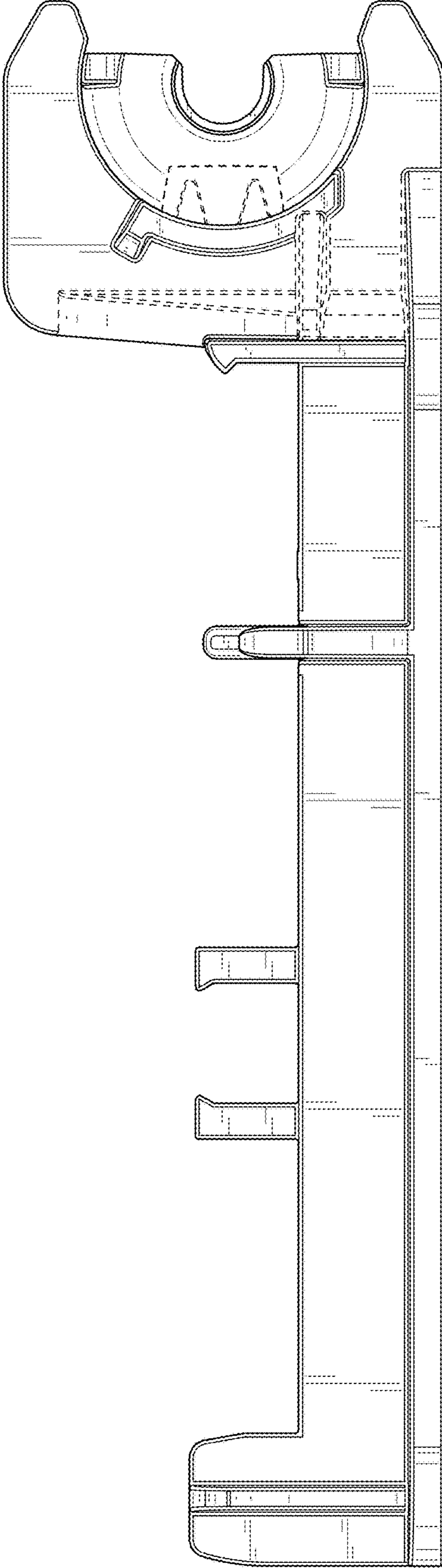


FIG. 6

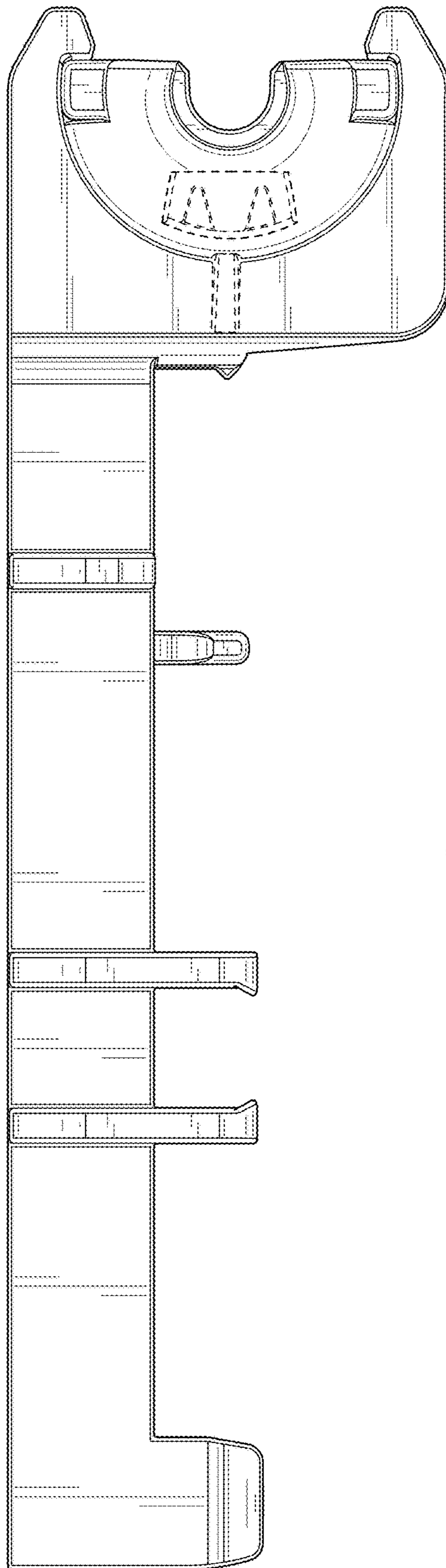


FIG. 7