



US00D780140S

(12) **United States Design Patent**  
**Kim et al.**

(10) **Patent No.:** **US D780,140 S**

(45) **Date of Patent:** **\*\* Feb. 28, 2017**

(54) **TV RECEIVER**

(71) Applicant: **LG ELECTRONICS INC.**, Seoul (KR)

(72) Inventors: **ByungSoo Kim**, Seoul (KR); **Seongahn Jeon**, Seoul (KR); **Hana Kim**, Seoul (KR)

(73) Assignee: **LG ELECTRONICS INC.**, Seoul (KR)

(\*\*) Term: **15 Years**

(21) Appl. No.: **29/551,421**

(22) Filed: **Jan. 13, 2016**

(30) **Foreign Application Priority Data**

Jul. 13, 2015 (KR) ..... 30-2015-0035184

(51) **LOC (10) Cl.** ..... **14-03**

(52) **U.S. Cl.**  
USPC ..... **D14/126**

(58) **Field of Classification Search**

USPC ..... D14/125-134, 239, 371, 136, 374-377, D14/440, 450, 448, 336, 342, 159; 312/7.2; 348/836, 838, 180, 184, 325, 348/739; 248/917-924, 465; 345/104, 345/133, 156, 168, 87, 173; D21/329, D21/515, 577, 622, 333, 433, 448, 452, D21/450, 331, 505; D10/15, 26; 446/484, 446/175, 356; D6/477, 479, 300; D20/10, D20/19, 39; D16/203, 241; 160/24  
CPC .... G06F 1/1601; G06F 1/1643; G06F 1/1652; G06F 1/1647; G06F 3/0412; H05K 5/0004; H05K 5/0017; H05K 5/02; H05K 5/0217; H04N 13/0459

See application file for complete search history.

(56) **References Cited**

**U.S. PATENT DOCUMENTS**

D323,338 S \* 1/1992 Court ..... 160/24  
6,498,597 B1 \* 12/2002 Sawano ..... G09F 11/29  
345/107

D503,045 S \* 3/2005 Hahn ..... D6/300  
7,050,835 B2 \* 5/2006 Hack ..... H04M 1/0208  
379/447  
D568,364 S \* 5/2008 Jeoung ..... D16/241  
D578,574 S \* 10/2008 Lundgren ..... D20/99  
7,463,238 B2 \* 12/2008 Funkhouser ..... G06F 1/1601  
345/107  
D607,034 S \* 12/2009 Adams ..... D16/241  
D607,916 S \* 1/2010 Orion ..... D16/241  
D614,225 S \* 4/2010 Adams ..... D16/241  
D616,034 S \* 5/2010 Carlsson ..... D20/43

(Continued)

*Primary Examiner* — Raphael Barkai

(74) *Attorney, Agent, or Firm* — Birch, Stewart, Kolasch & Birch, LLP

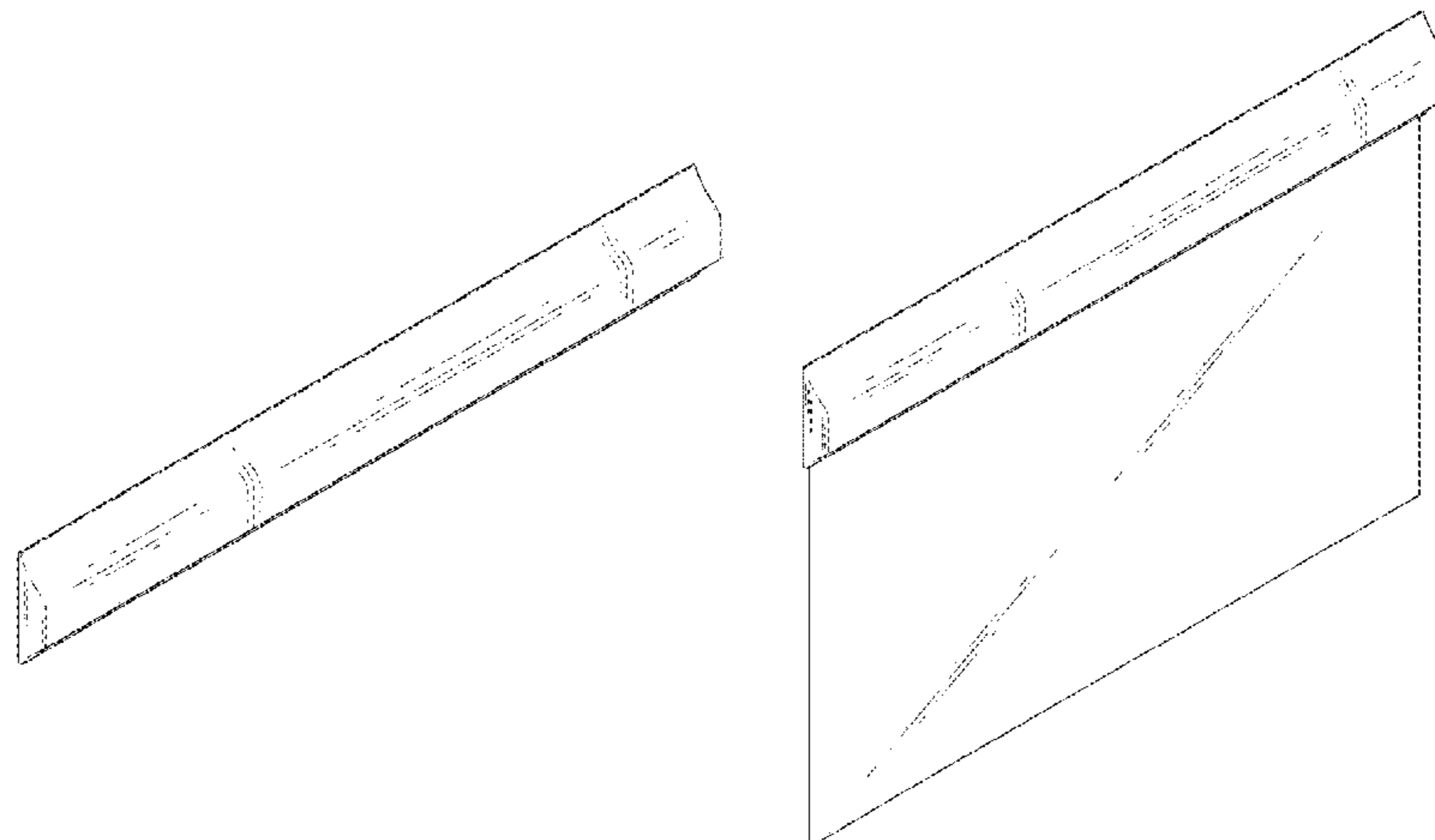
(57) **CLAIM**

The ornamental design for a TV receiver, as shown and described.

**DESCRIPTION**

FIG. 1 is a front, right side, perspective view of a TV receiver showing our new design; FIG. 2 is a front view thereof; FIG. 3 is a rear view thereof; FIG. 4 is a left side view thereof; FIG. 5 is a right side view thereof; FIG. 6 is a top view thereof; FIG. 7 is a bottom view thereof; FIG. 8 is a front, right side, perspective view in a use state thereof; FIG. 9 is a front view in a use state thereof; FIG. 10 is a rear view in a use state thereof; FIG. 11 is a left side view in a use state thereof; FIG. 12 is a right side view in a use state thereof; FIG. 13 is a top view in a use state thereof; FIG. 14 is a bottom view in a use state thereof; and, FIG. 15 is a front, right side, perspective view with the display unit that is sliding to the down thereof. The broken lines indicate unclaimed portion of the article that form no part of the claimed design.

**1 Claim, 6 Drawing Sheets**



(56)

**References Cited**

## U.S. PATENT DOCUMENTS

8,274,737 B2 \* 9/2012 Wang ..... G03B 21/58  
359/443  
D735,709 S \* 8/2015 Daniel ..... D14/341  
9,189,028 B2 \* 11/2015 Nakhimov ..... G06F 1/1652  
D744,998 S \* 12/2015 Ahn ..... D14/341  
9,244,494 B2 \* 1/2016 Hinson ..... G06F 15/025  
2006/0279840 A1 \* 12/2006 Yamauchi ..... G03B 21/56  
359/461  
2007/0121209 A1 \* 5/2007 Liang ..... G03B 21/58  
359/461  
2008/0212271 A1 \* 9/2008 Misawa ..... G02F 1/133305  
361/679.01  
2014/0213324 A1 \* 7/2014 Tan ..... H04M 1/0268  
455/566  
2015/0029229 A1 \* 1/2015 Voutsas ..... G06F 1/1652  
345/661  
2015/0047796 A1 \* 2/2015 Peng ..... E06B 9/42  
160/323.1  
2015/0153777 A1 \* 6/2015 Liu ..... G06F 1/1652  
345/173  
2015/0220188 A1 \* 8/2015 Zhao ..... G09G 3/36  
345/174

\* cited by examiner

FIG. 1

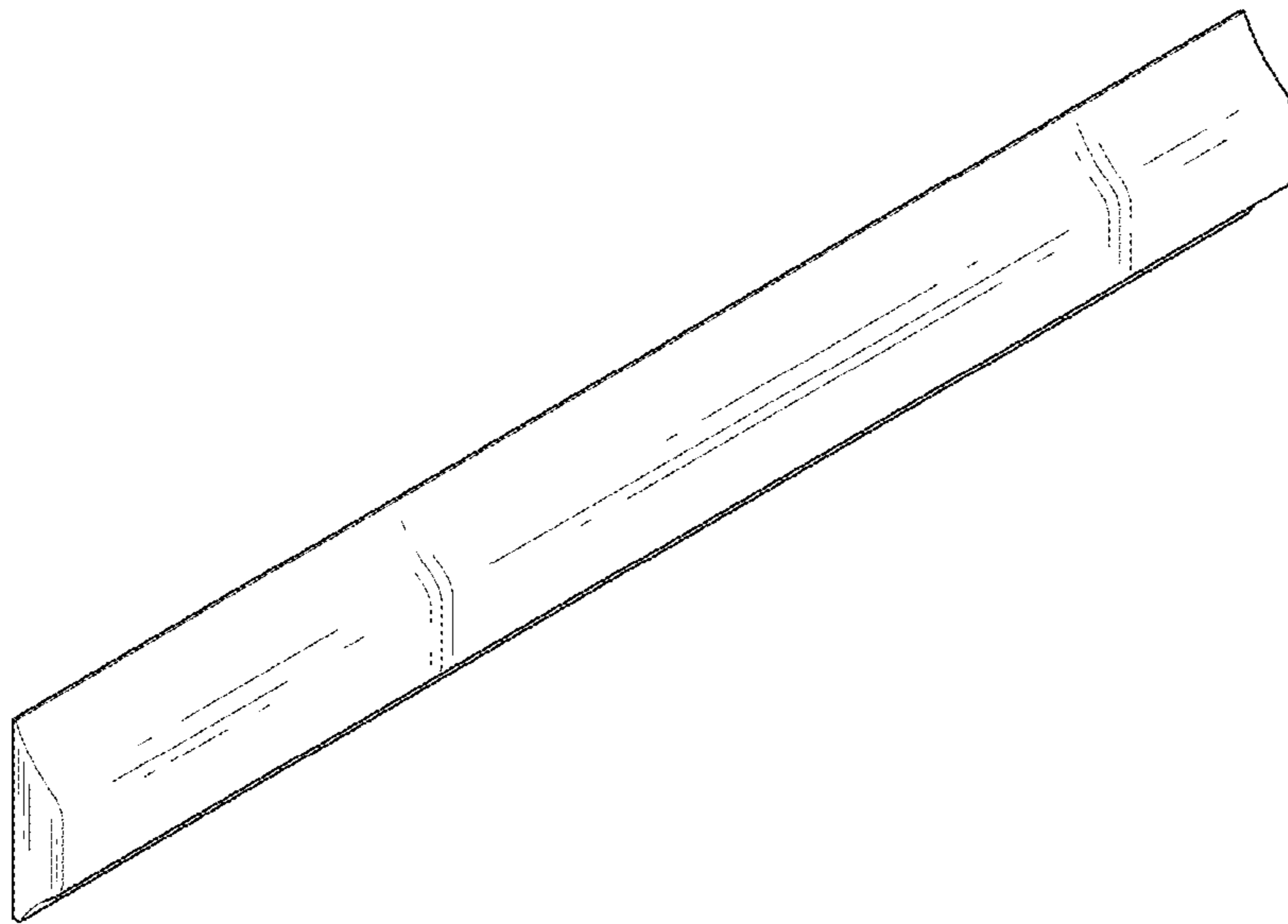


FIG. 2

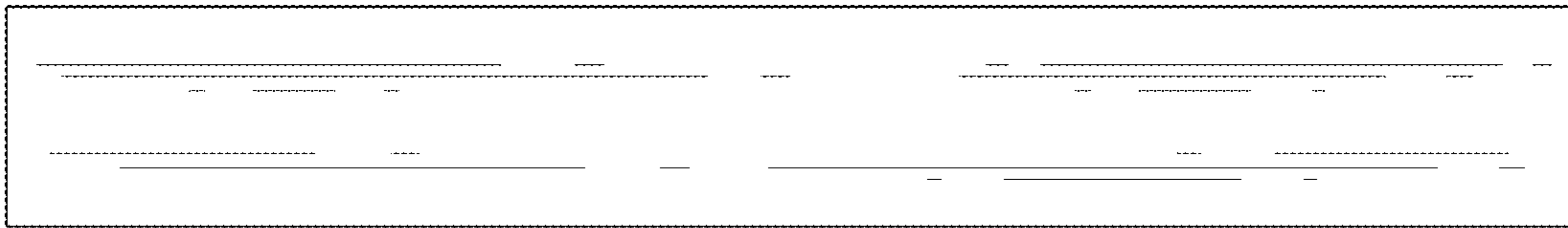


FIG. 3

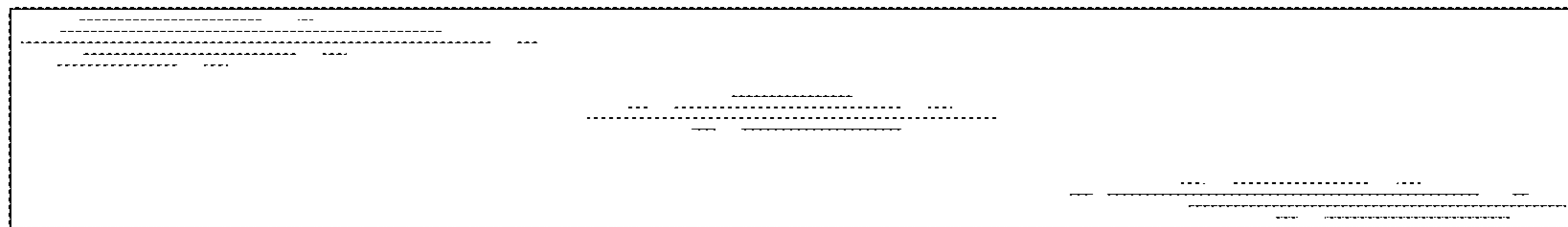


FIG. 4

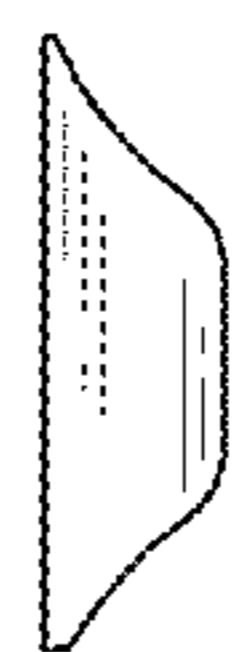


FIG. 5



FIG. 6



FIG. 7



FIG. 8

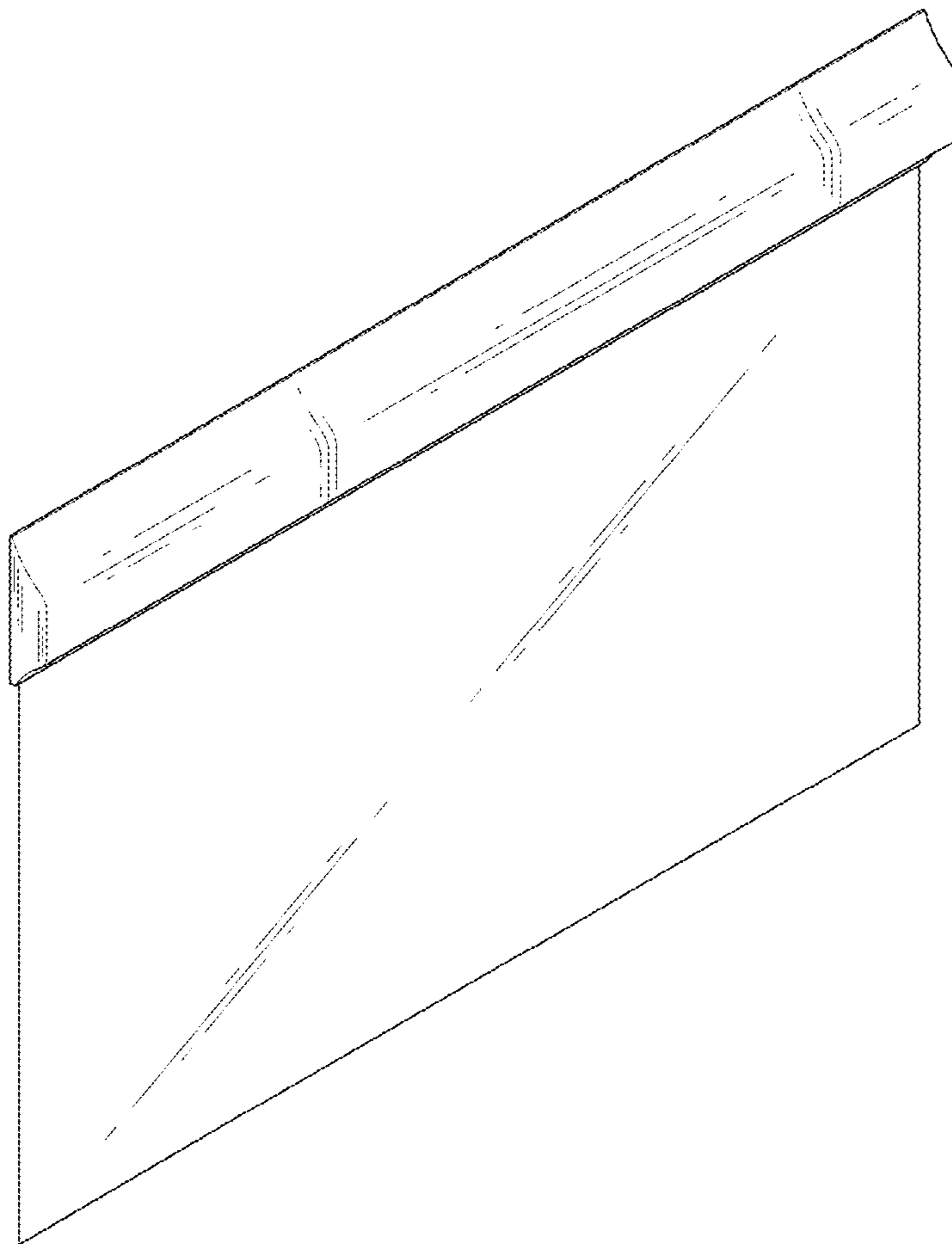


FIG. 9

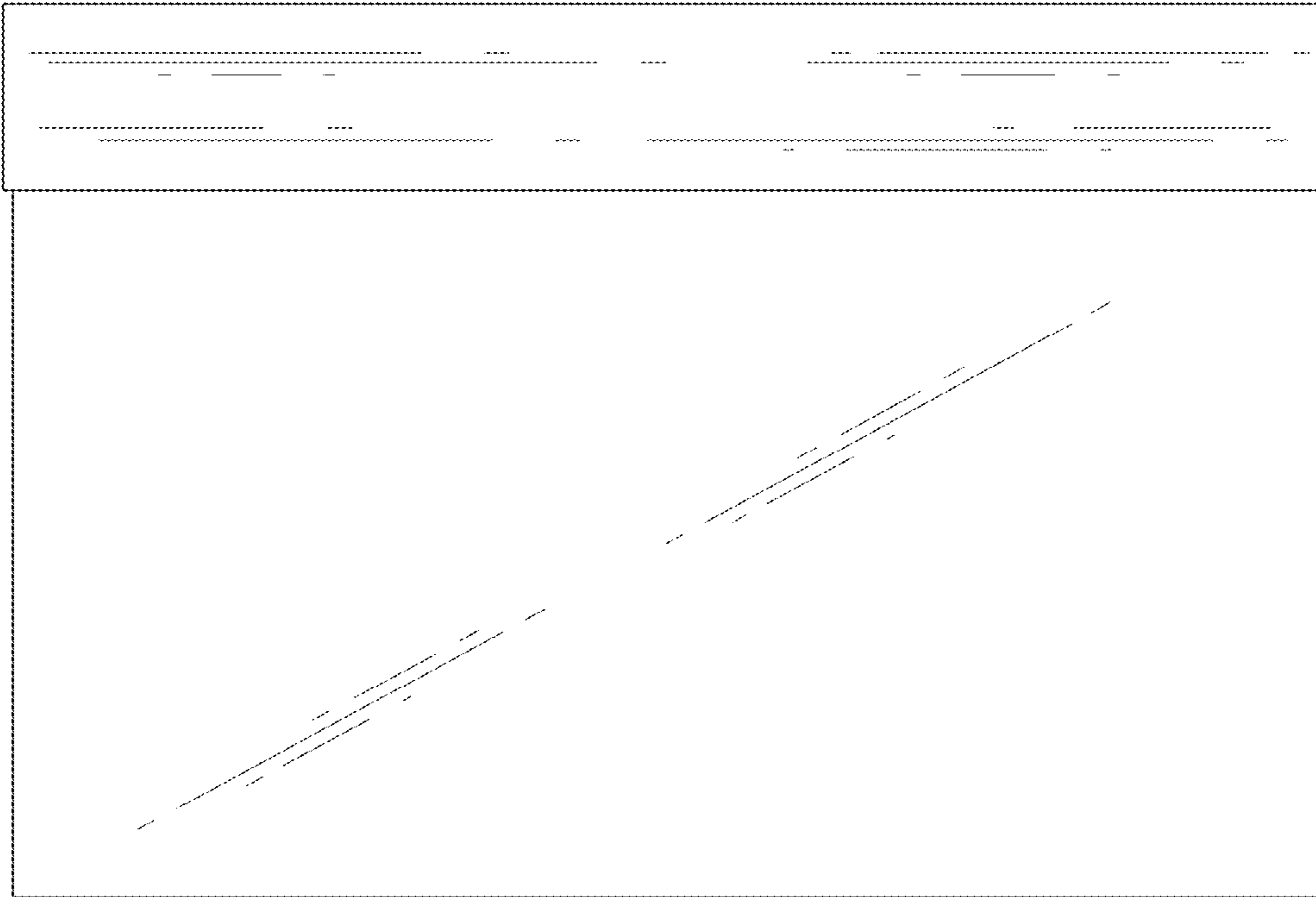


FIG. 10

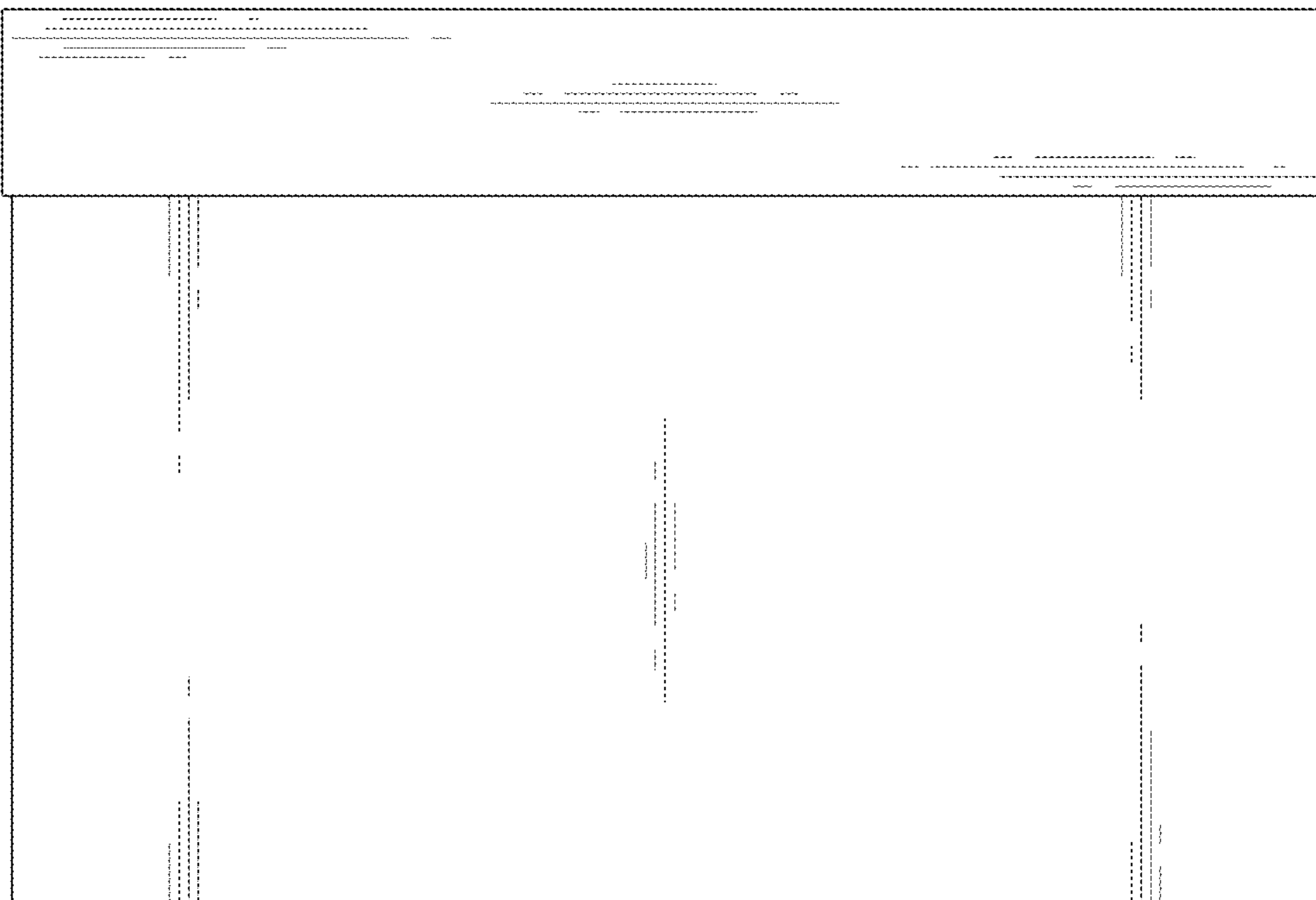


FIG. 11



FIG. 12



FIG. 13

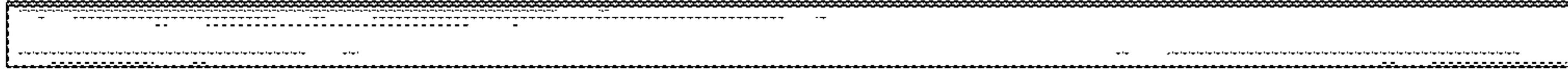


FIG. 14



FIG. 15

