



US00D780139S

(12) **United States Design Patent** (10) **Patent No.:** **US D780,139 S**  
**Bouroullec et al.** (45) **Date of Patent:** **\*\* Feb. 28, 2017**

(54) **TELEVISION**

(71) Applicant: **Samsung Electronics Co., Ltd.**,  
Suwon-si (KR)  
(72) Inventors: **Ronan Bouroullec**, Paris (FR); **Erwan Bouroullec**, Paris (FR)  
(73) Assignee: **Samsung Electronics Co., Ltd.**,  
Suwon-si (KR)  
(\*\*) Term: **15 Years**

(56) **References Cited**

U.S. PATENT DOCUMENTS

D377,012 S *	12/1996	Oslund	.....	D14/128
D631,046 S	1/2011	Chien		
D716,244 S *	10/2014	Kim	.....	D14/126
D717,753 S *	11/2014	Totsuka	.....	D14/126
D719,119 S *	12/2014	Park	.....	D14/126
D720,709 S *	1/2015	Lee	.....	D14/126
D753,083 S *	4/2016	Kim	.....	D14/126
D757,667 S *	5/2016	Yokota	.....	D14/126
D757,669 S *	5/2016	Bouroullec	.....	D14/126
D757,671 S *	5/2016	Bouroullec	.....	D14/126
D765,615 S *	9/2016	Kim	.....	D14/126

FOREIGN PATENT DOCUMENTS

CN	200730158519	7/2008
CN	200930007009	4/2010

\* cited by examiner

*Primary Examiner* — Raphael Barkai  
(74) *Attorney, Agent, or Firm* — NSIP Law

(57) **CLAIM**

We claim the ornamental design for a television, as shown and described.

**DESCRIPTION**

FIG. 1 is a front perspective view of a television showing our new design;  
FIG. 2 is a front view thereof;  
FIG. 3 is a rear view thereof;  
FIG. 4 is a left-side view thereof;  
FIG. 5 is a right-side view thereof;  
FIG. 6 is a top view thereof; and,  
FIG. 7 is a bottom view thereof.  
The broken lines in the figures depict portions of the television which form no part of the claimed design.  
The dot-dash broken lines in the figures represent an unclaimed boundary line and form no part of the claimed design.

(21) Appl. No.: **29/551,065**  
(22) Filed: **Jan. 11, 2016**  
(30) **Foreign Application Priority Data**  
Aug. 20, 2015 (KR) ..... 30-2015-0042070  
(51) **LOC (10) Cl.** ..... **14-03**  
(52) **U.S. Cl.**  
USPC ..... **D14/126**  
(58) **Field of Classification Search**  
USPC ..... D14/125-134, 239, 371, 136,  
D14/374-377, 440, 450, 448, 336, 342,  
D14/159; 312/7.2; 348/836, 838, 180,  
348/184, 325, 739; 248/917-924, 465;  
345/104, 133, 156, 168, 345/87, 173;  
D21/329, 515, 577, 622, 333, 433,  
D21/448, 452, 450, 331, 505; D10/15, 26;  
D10/446/484, 175, 356; D6/477, 479,  
D6/300; D20/10, 19, 39; D16/203, 241;  
160/24  
CPC .... G06F 1/1601; G06F 1/1643; G06F 1/1652;  
G06F 1/1647; G06F 3/0412; H05K  
5/0004; H05K 5/0017; H05K 5/02; H05K  
5/0217; H04N 13/0459  
See application file for complete search history.

**1 Claim, 5 Drawing Sheets**

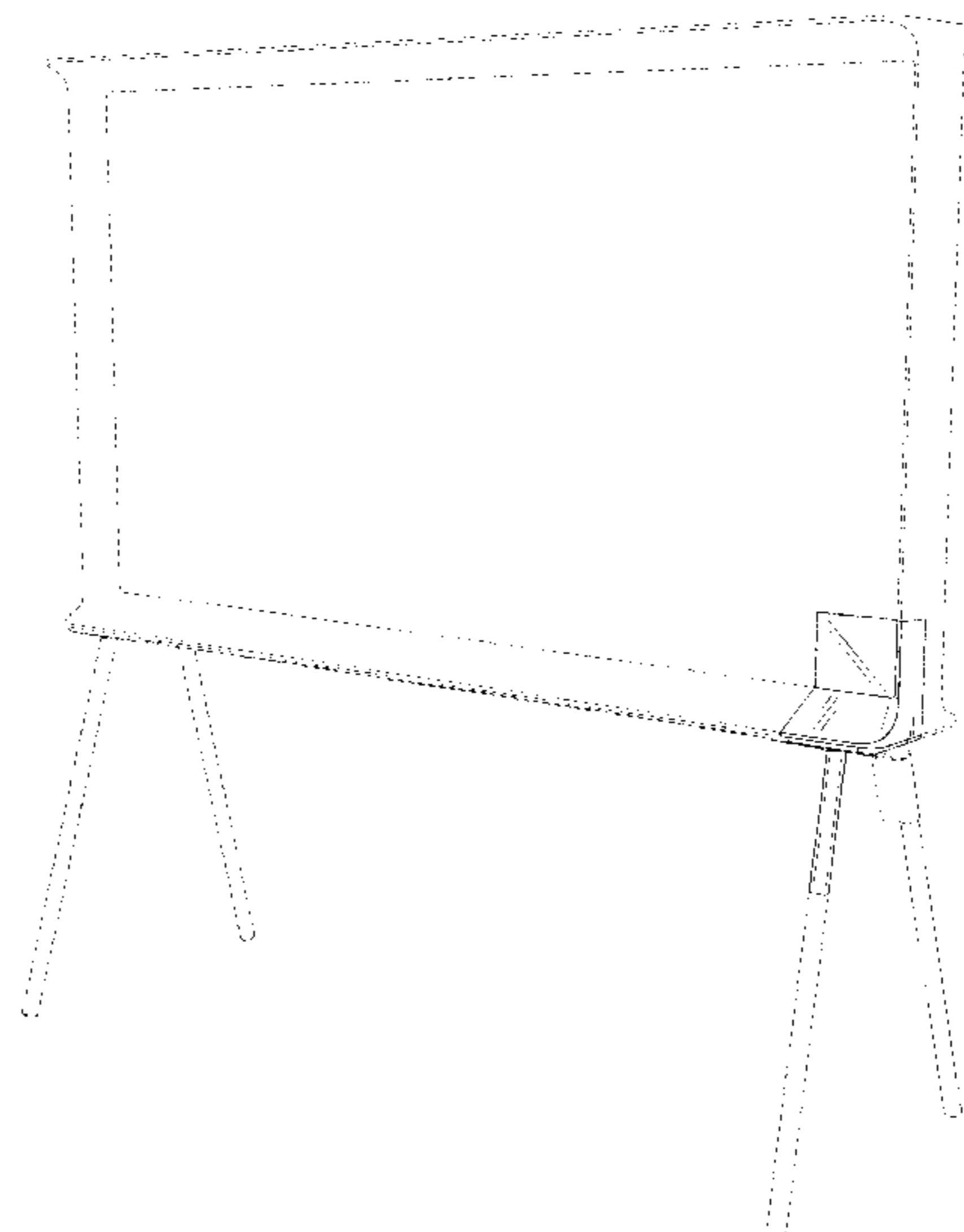


FIG. 1

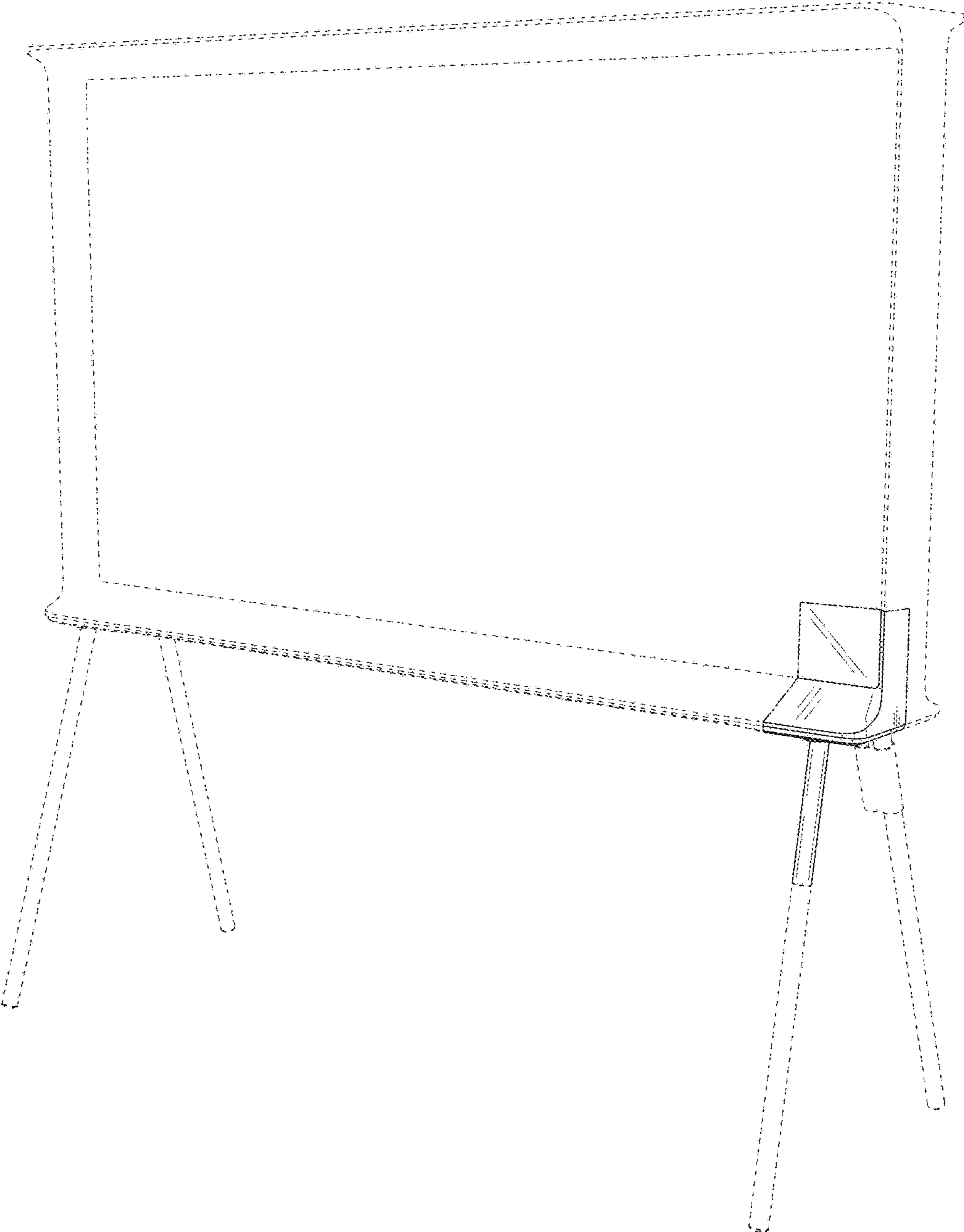


FIG. 2

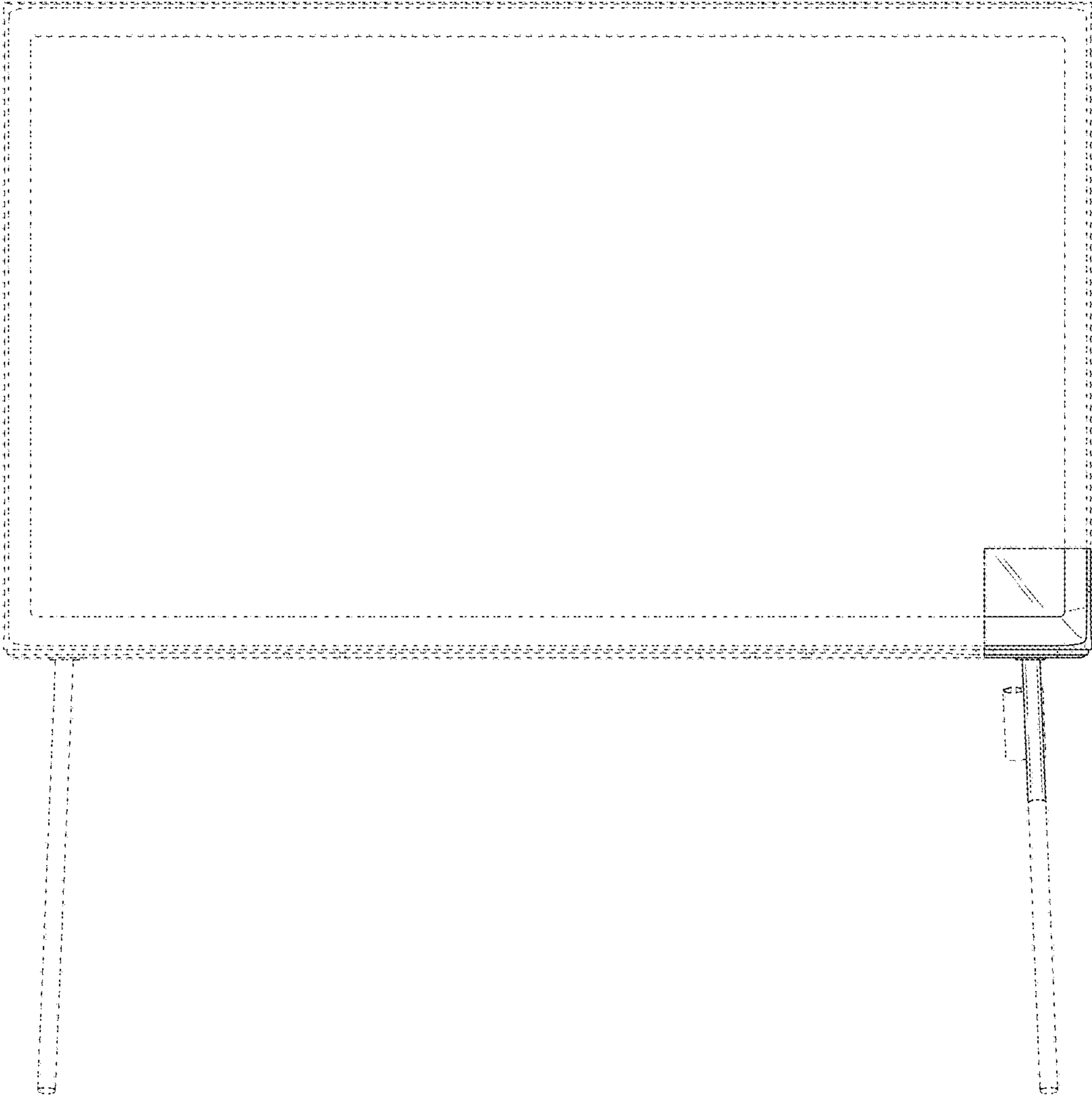


FIG. 3

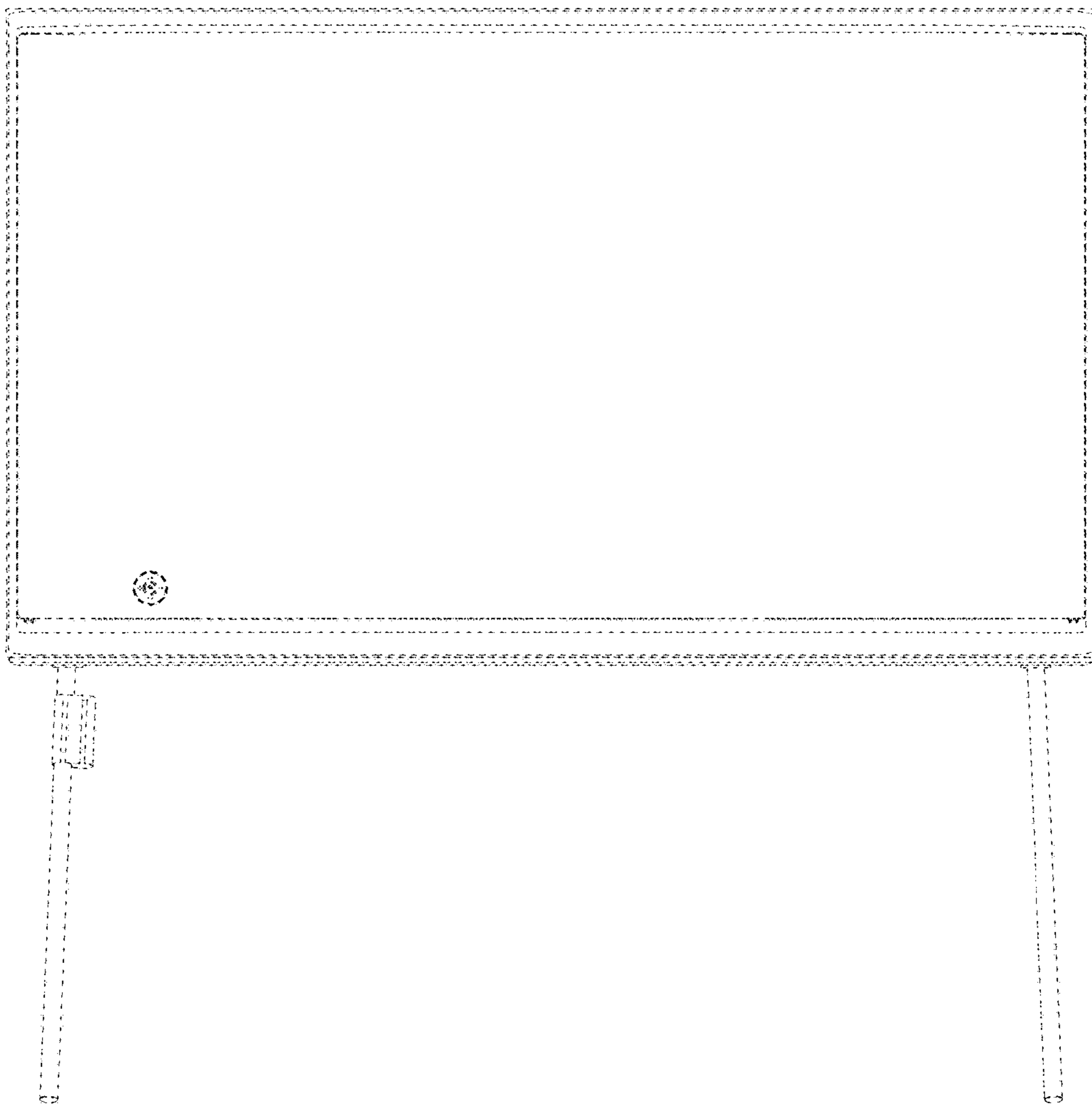


FIG. 4

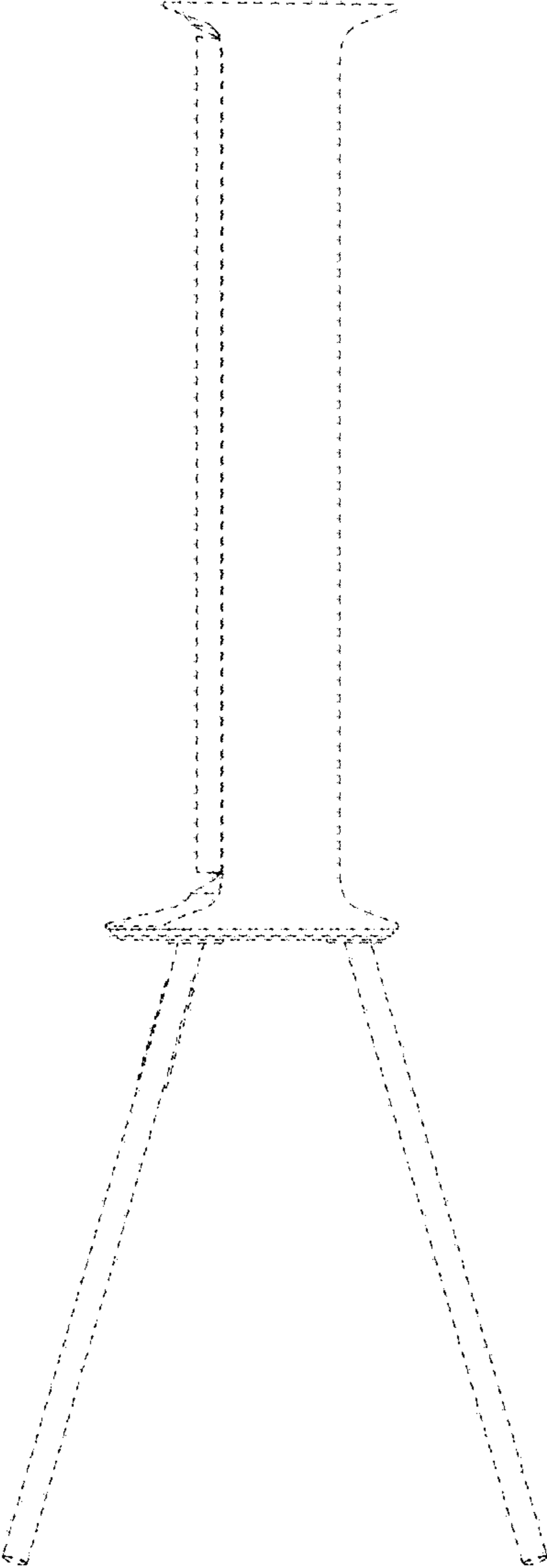


FIG. 5

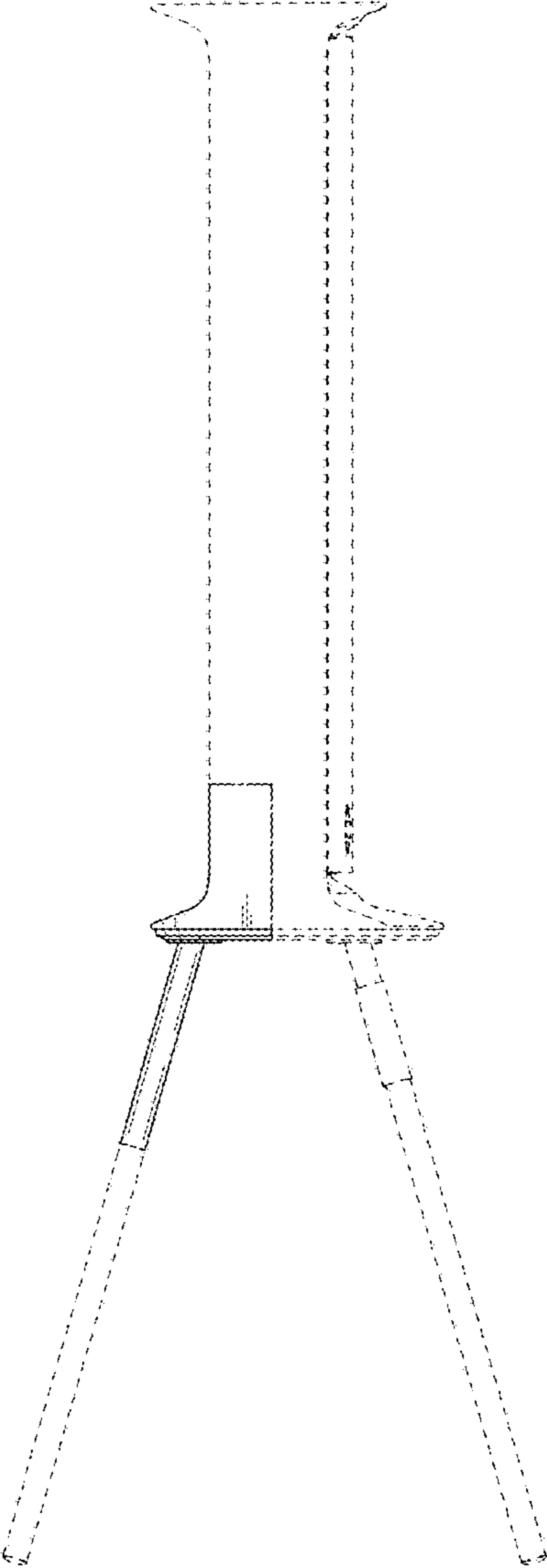


FIG. 6



FIG. 7

