



US00D780136S

(12) **United States Design Patent**  
**Chudoba**

(10) **Patent No.:** **US D780,136 S**

(45) **Date of Patent:** **\*\* Feb. 28, 2017**

(54) **HARD CASE FOR FIBER OPTIC TEST EQUIPMENT**

(71) Applicant: **Nu Visions International, Inc.**,  
Milford, PA (US)

(72) Inventor: **Paul Chudoba**, Shohola, PA (US)

(73) Assignee: **NU VISIONS INTERNATIONAL, INC.**,  
Milford, PA (US)

(\*\*) Term: **14 Years**

(21) Appl. No.: **29/526,000**

(22) Filed: **May 5, 2015**

(51) **LOC (10) Cl.** ..... **13-99**

(52) **U.S. Cl.**  
USPC ..... **D13/184**

(58) **Field of Classification Search**  
USPC ..... D13/108, 133, 162, 184, 199;  
D14/300-302, 308, 309, 314, 354,  
D14/356-358, 215, 218, 230;  
312/223.1-223.3; 360/99.01-99.12;  
361/600-602, 679.01, 679.02,  
361/679.31-679.33, 724; 369/34.01,  
369/36.01; D6/407, 629; 439/501

CPC ..... H01R 13/72  
See application file for complete search history.

(56) **References Cited**

U.S. PATENT DOCUMENTS

3,359,015 A	12/1967	Zahuranec
4,045,121 A	8/1977	Clark
4,053,200 A	10/1977	Pugner
4,190,316 A	2/1980	Malsby et al.
4,545,637 A	10/1985	Bosshard et al.
4,553,806 A	11/1985	Forney, Jr. et al.
4,575,274 A	3/1986	Hayward
4,632,505 A	12/1986	Allsworth
4,737,009 A	4/1988	Kakii et al.
4,799,902 A	1/1989	Laudig et al.

5,273,444 A	12/1993	Down et al.
5,317,664 A	5/1994	Grabiec et al.
D355,641 S	2/1995	Down
5,644,673 A	7/1997	Patterson
D383,620 S *	9/1997	Smith ..... D6/407
5,800,211 A	9/1998	Stabile et al.
5,812,728 A	9/1998	Wanamaker
5,832,158 A	11/1998	Chen
6,053,639 A	4/2000	Chen
6,135,800 A	10/2000	Majors
6,142,679 A	11/2000	Bredthauer et al.
6,234,683 B1	5/2001	Waldron et al.
D456,692 S *	5/2002	Epstein ..... D8/356
D460,739 S	7/2002	Fox
D479,429 S *	9/2003	Chan ..... D6/629
6,712,076 B2 *	3/2004	Alexander ..... A45D 33/006 132/300
D491,364 S *	6/2004	Vish ..... D3/218
D503,692 S *	4/2005	Basta ..... D13/184
D505,859 S *	6/2005	Suzuki ..... D8/358

(Continued)

*Primary Examiner* — Lakiya Rogers

*Assistant Examiner* — Harold Blackwell, II

(74) *Attorney, Agent, or Firm* — George R. McGuire;  
Bond, Schoeneck & King, PLLC

(57) **CLAIM**

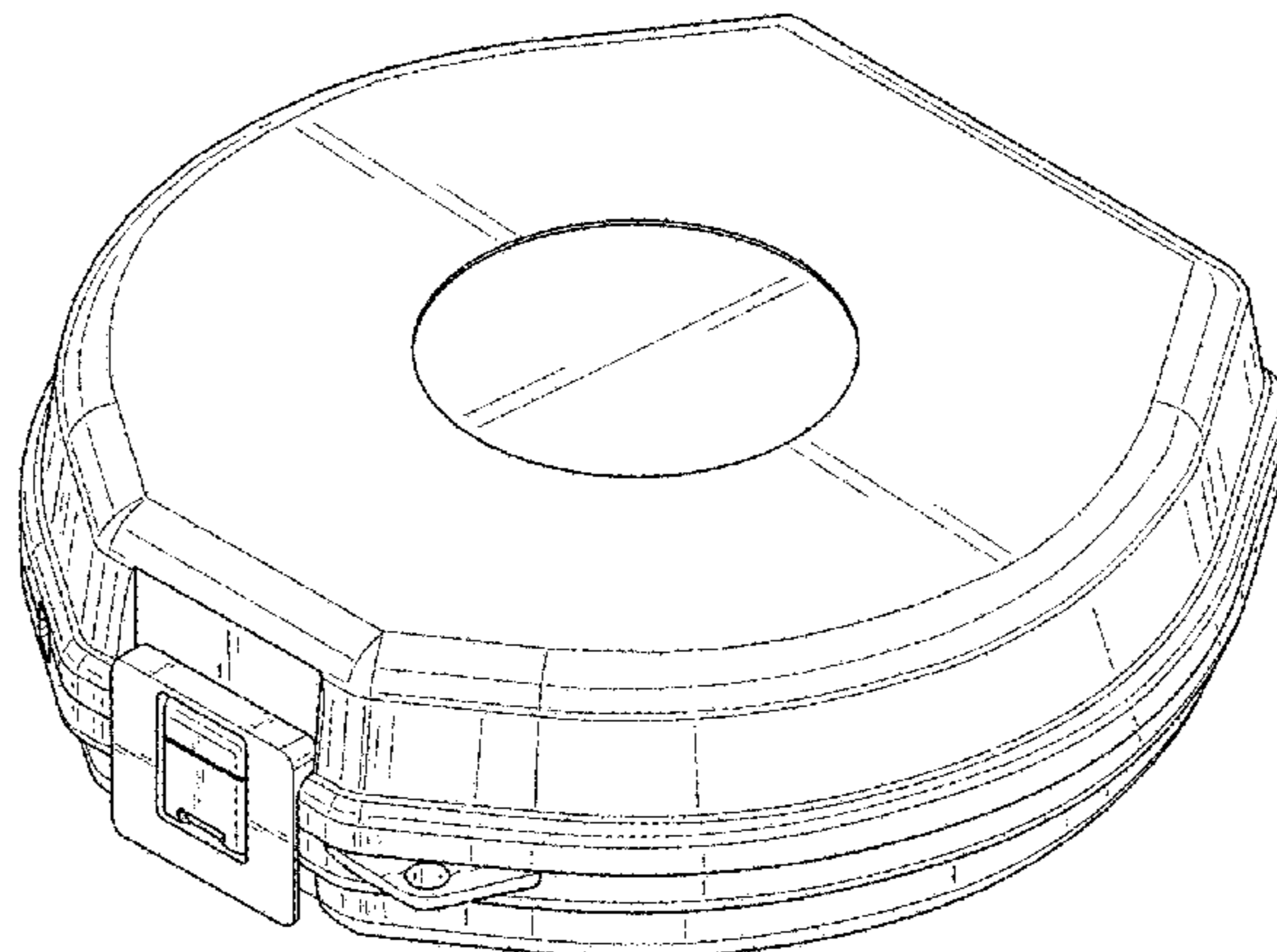
The ornamental design for a hard case for fiber optic test equipment, as shown and described.

**DESCRIPTION**

FIG. 1 is a perspective view of a new and ornamental design for a hard case for fiber optic test equipment; FIG. 2 is a front elevation view thereof; FIG. 3 is a rear elevation view thereof; FIG. 4 is a first side elevation view thereof; FIG. 5 is a second side elevation view thereof; FIG. 6 is a top plan view thereof; and, FIG. 7 is a bottom plan view thereof.

The broken lines in the drawings illustrate portions of the hard case for fiber optic test equipment which forms no part of the claimed design.

**1 Claim, 5 Drawing Sheets**



(56)

**References Cited**

U.S. PATENT DOCUMENTS

D519,918 S *	5/2006	Wilson .....	D13/103
D526,973 S *	8/2006	Gates .....	D13/168
D533,387 S *	12/2006	Huang .....	D6/407
D542,744 S *	5/2007	Chan .....	D13/184
D591,678 S *	5/2009	Whitley .....	D13/133
D658,608 S *	5/2012	Ashur .....	D13/133
D661,668 S *	6/2012	Rose .....	D13/184
2007/0020993 A1 *	1/2007	Symons .....	H01R 13/72 439/501

\* cited by examiner

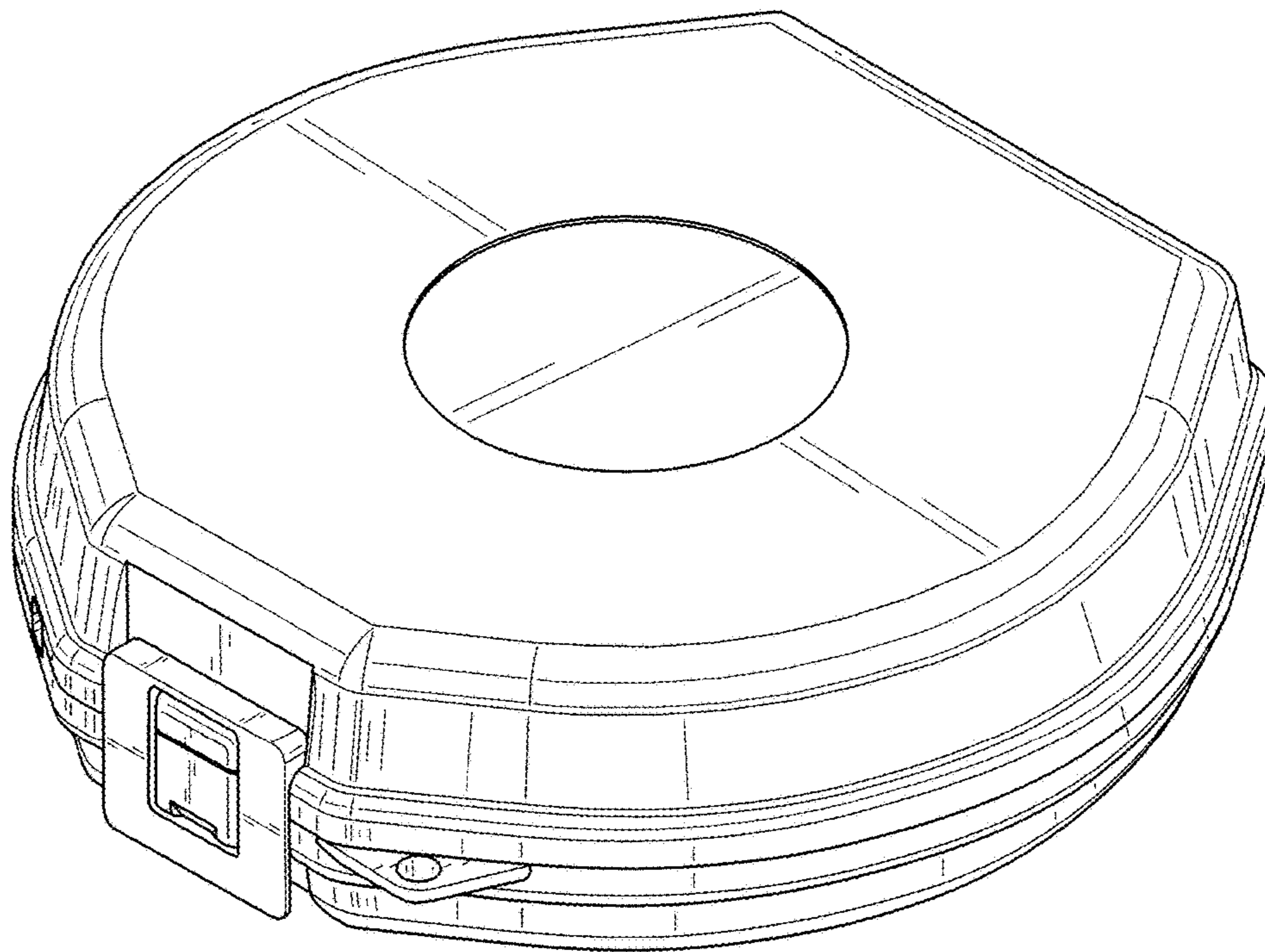


FIG. 1

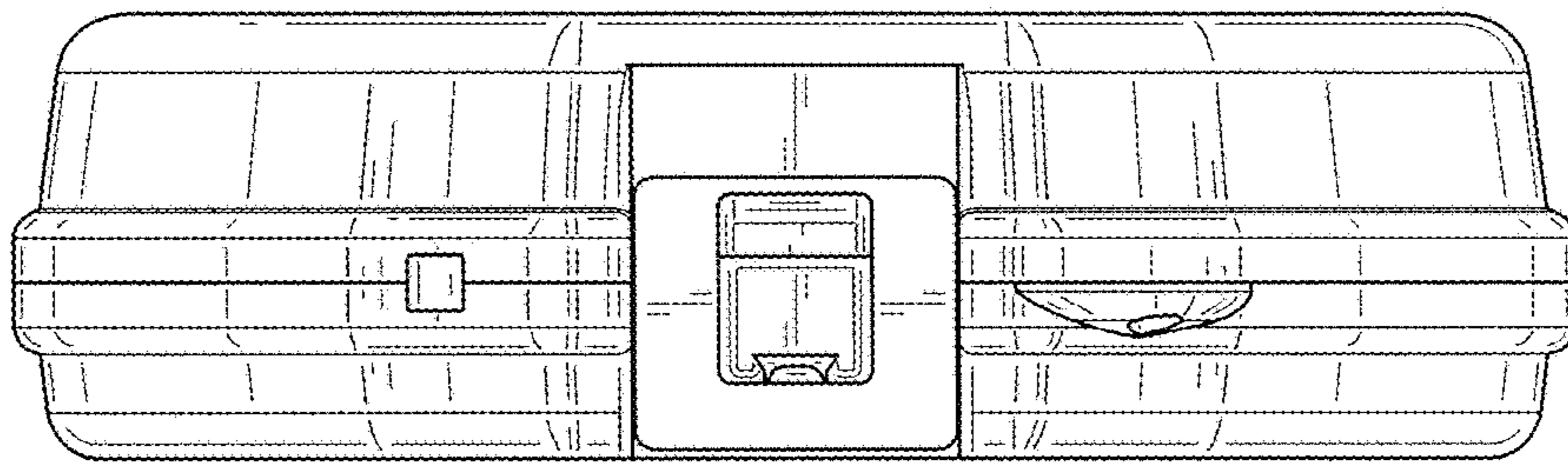


FIG. 2

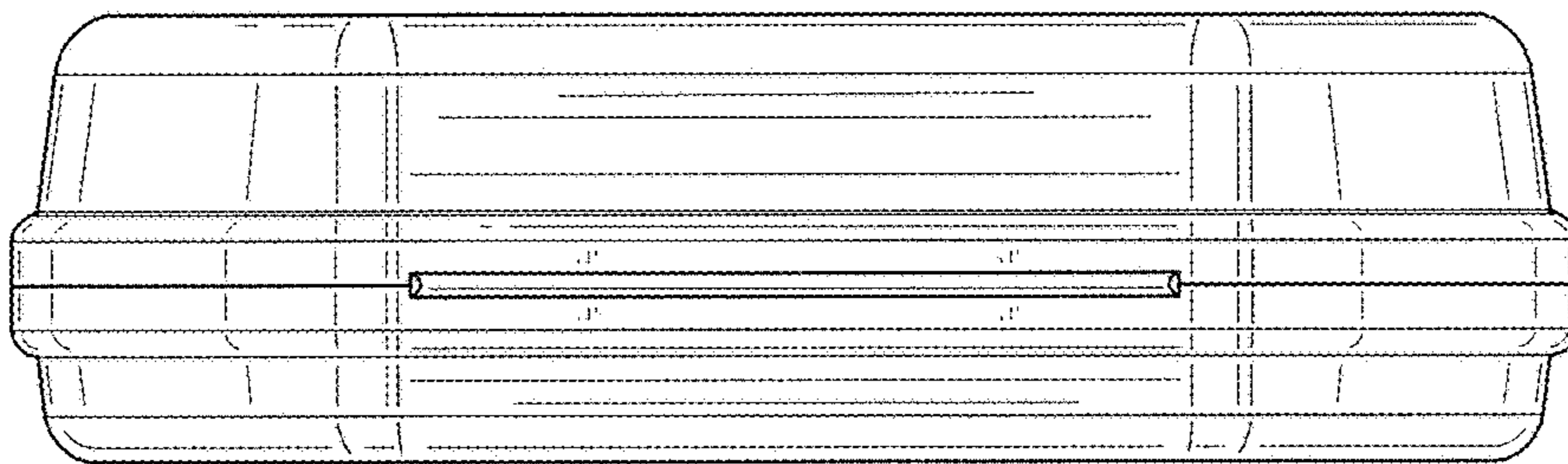


FIG. 3

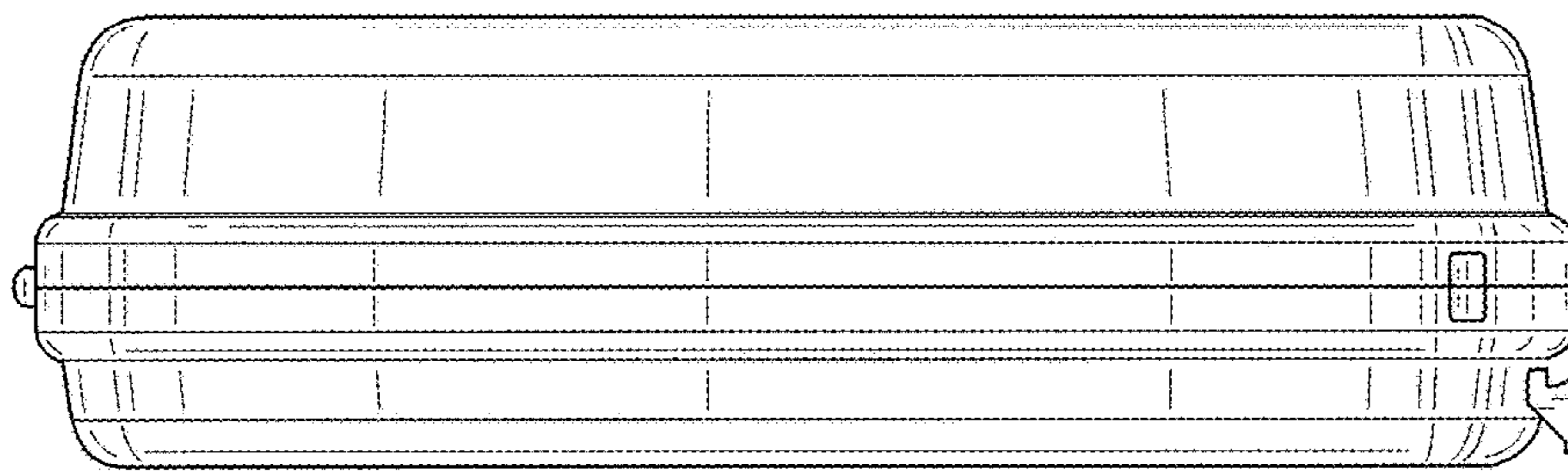


FIG. 4

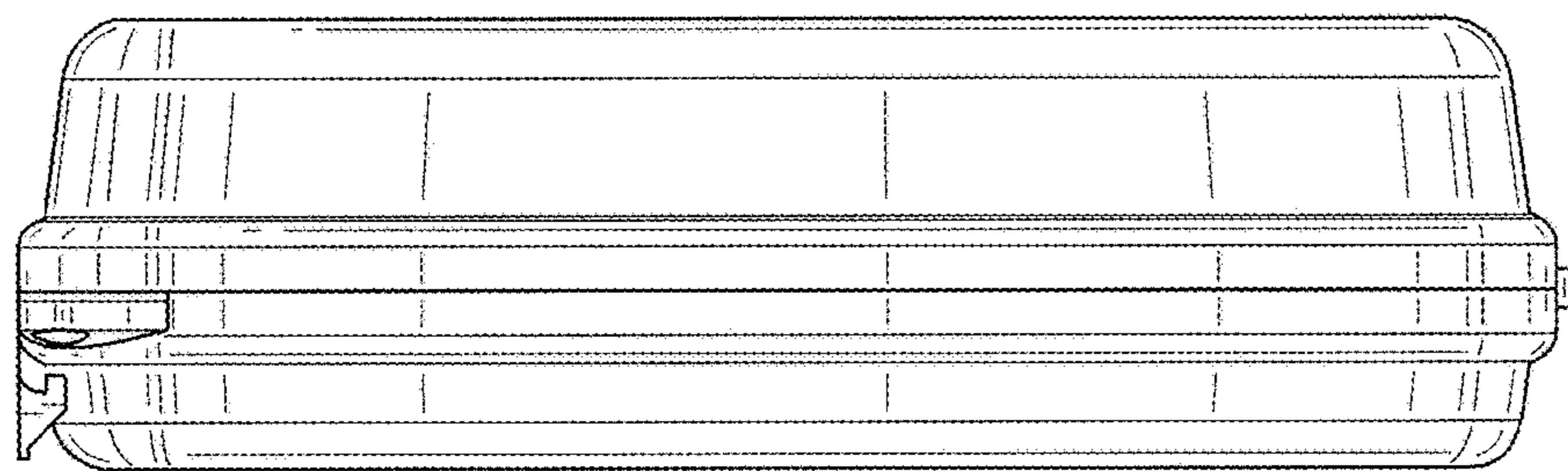


FIG. 5

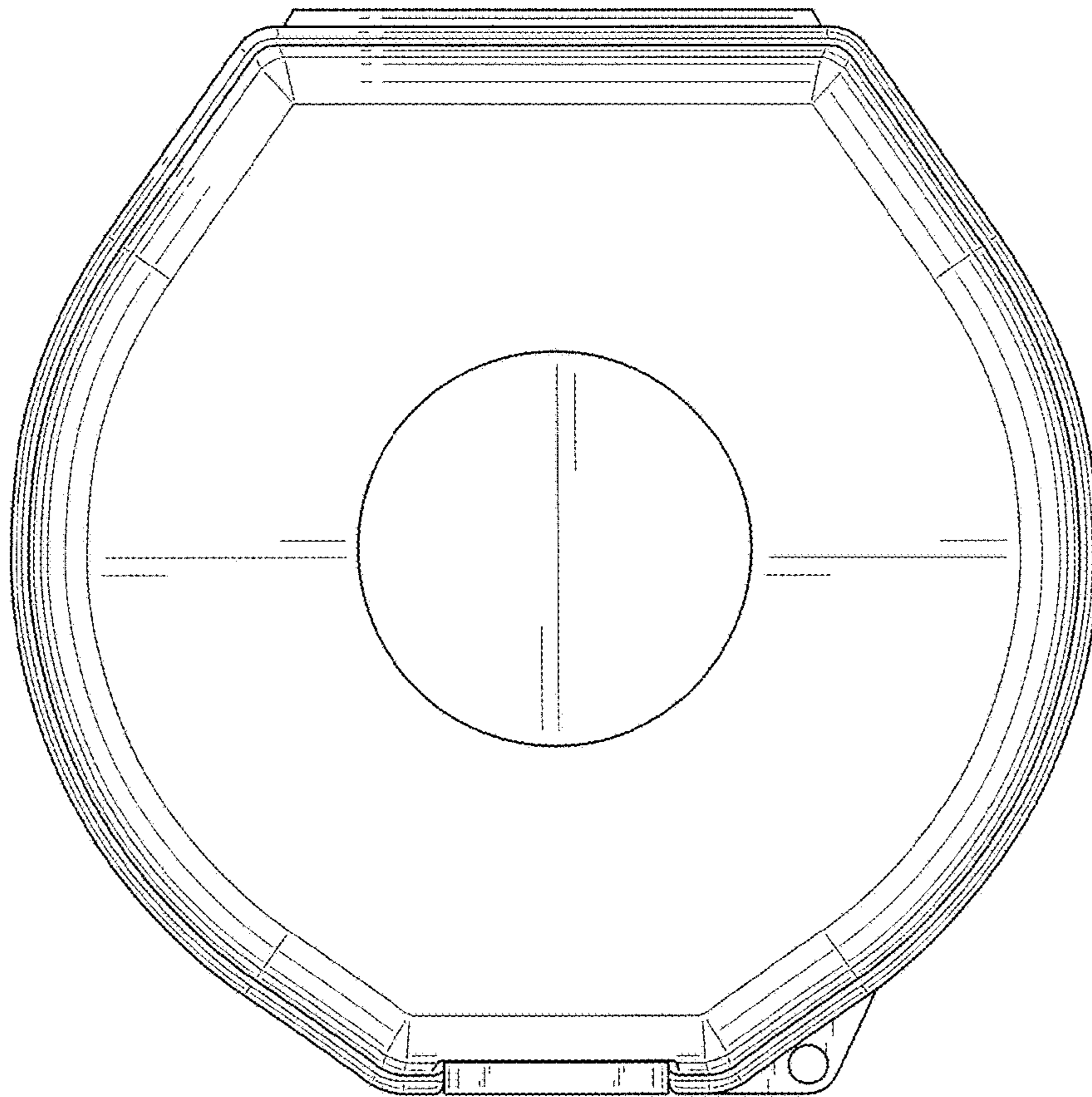


FIG. 6

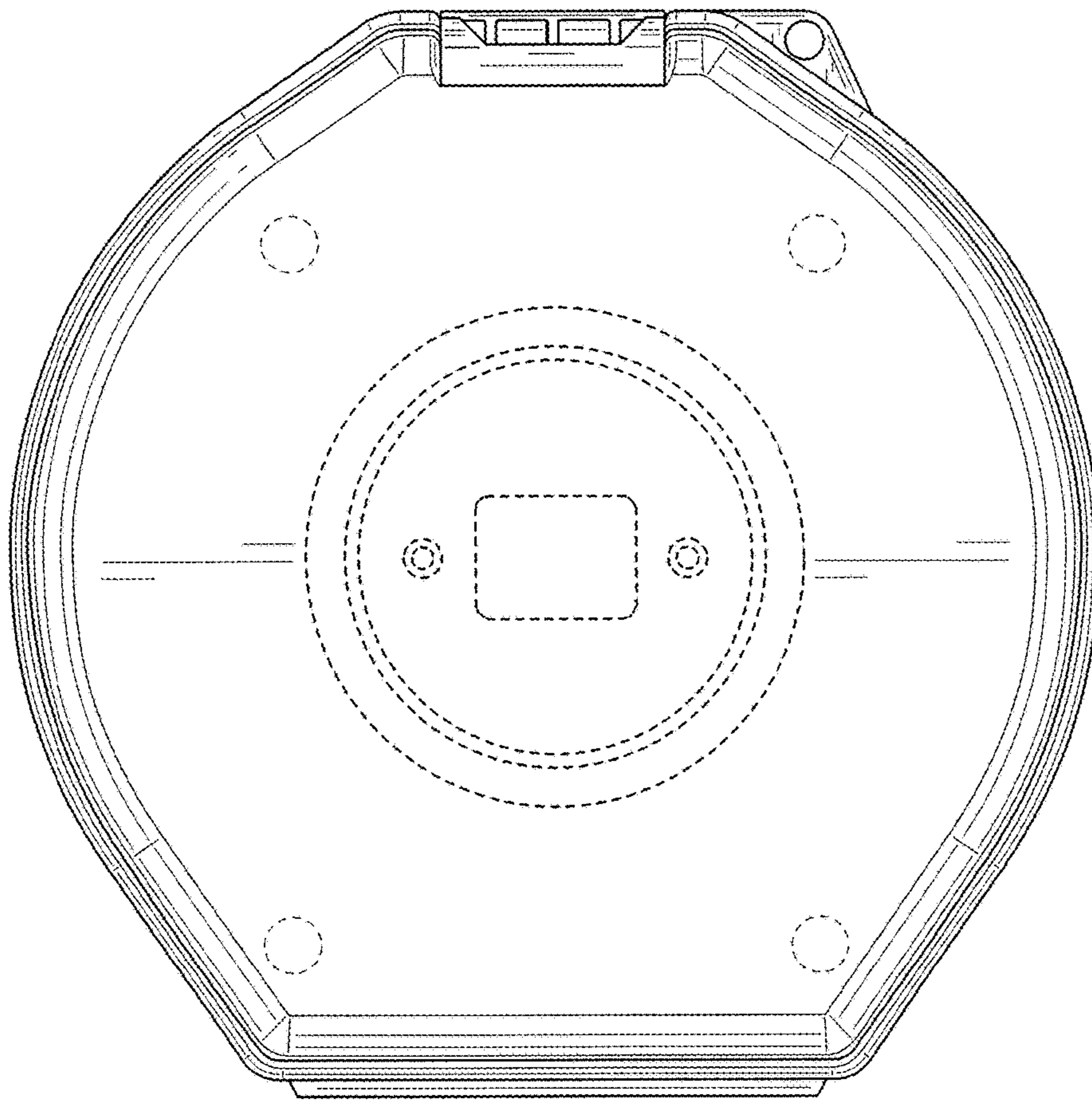


FIG. 7