



US00D780134S

(12) **United States Design Patent** (10) **Patent No.:** **US D780,134 S**  
**Iino et al.** (45) **Date of Patent:** **\*\* \*Feb. 28, 2017**

(54) **LIGHT-EMITTING DIODE**

(71) Applicants: **CITIZEN ELECTRONICS CO., LTD.**, Yamanashi-ken (JP); **CITIZEN WATCH CO., LTD.**, Tokyo (JP)

(72) Inventors: **Takashi Iino**, Yamanashi-ken (JP); **Nodoka Oyamada**, Yamanashi-ken (JP)

(73) Assignees: **CITIZEN ELECTRONICS CO., LTD.**, Yamanashi-Ken (JP); **CITIZEN WATCH CO., LTD.**, Tokyo (JP)

(\*) Notice: This patent is subject to a terminal disclaimer.

(\*\*) Term: **14 Years**

(21) Appl. No.: **29/513,011**

(22) Filed: **Dec. 24, 2014**

(30) **Foreign Application Priority Data**

Jun. 30, 2014 (JP) ..... 2014-014300  
Jun. 30, 2014 (JP) ..... 2014-014301

(Continued)

(51) **LOC (10) Cl.** ..... **13-03**

(52) **U.S. Cl.**  
USPC ..... **D13/180**

(58) **Field of Classification Search**  
USPC ..... D13/180; D26/1

(Continued)

(56) **References Cited**

**U.S. PATENT DOCUMENTS**

D601,977 S \* 10/2009 Tsuchiya ..... D13/180  
D602,884 S \* 10/2009 Wada ..... D13/180

(Continued)

*Primary Examiner* — Selina Sikder

(74) *Attorney, Agent, or Firm* — Wenderoth, Lind & Ponack, L.L.P.

(57) **CLAIM**

The ornamental design for light-emitting diode, as shown and described.

**DESCRIPTION**

FIG. 1 is a top perspective view of a first embodiment of a light-emitting diode showing an upper surface with front and left side surfaces;

FIG. 2 is a bottom perspective view thereof showing a bottom surface with rear and right side surfaces;

FIG. 3 is a front view thereof, a rear view being a mirror image of FIG. 3;

FIG. 4 is a top plan view thereof;

FIG. 5 is a bottom plan view thereof;

FIG. 6 is a left side view thereof, a right side view being identical to FIG. 6;

FIG. 7 is a top perspective view of a second embodiment of a light-emitting diode showing an upper surface with front and left side surfaces;

FIG. 8 is a bottom perspective view thereof showing a bottom surface with rear and right side surfaces;

FIG. 9 is a front view thereof, a rear view being a mirror image of FIG. 9;

FIG. 10 is a top plan view thereof;

FIG. 11 is a bottom plan view thereof;

FIG. 12 is a left side view thereof, a right side view being identical to FIG. 12;

FIG. 13 is a top perspective view of a third embodiment of a light-emitting diode showing an upper surface with front and left side surfaces;

FIG. 14 is a bottom perspective view thereof showing a bottom surface with rear and right side surfaces;

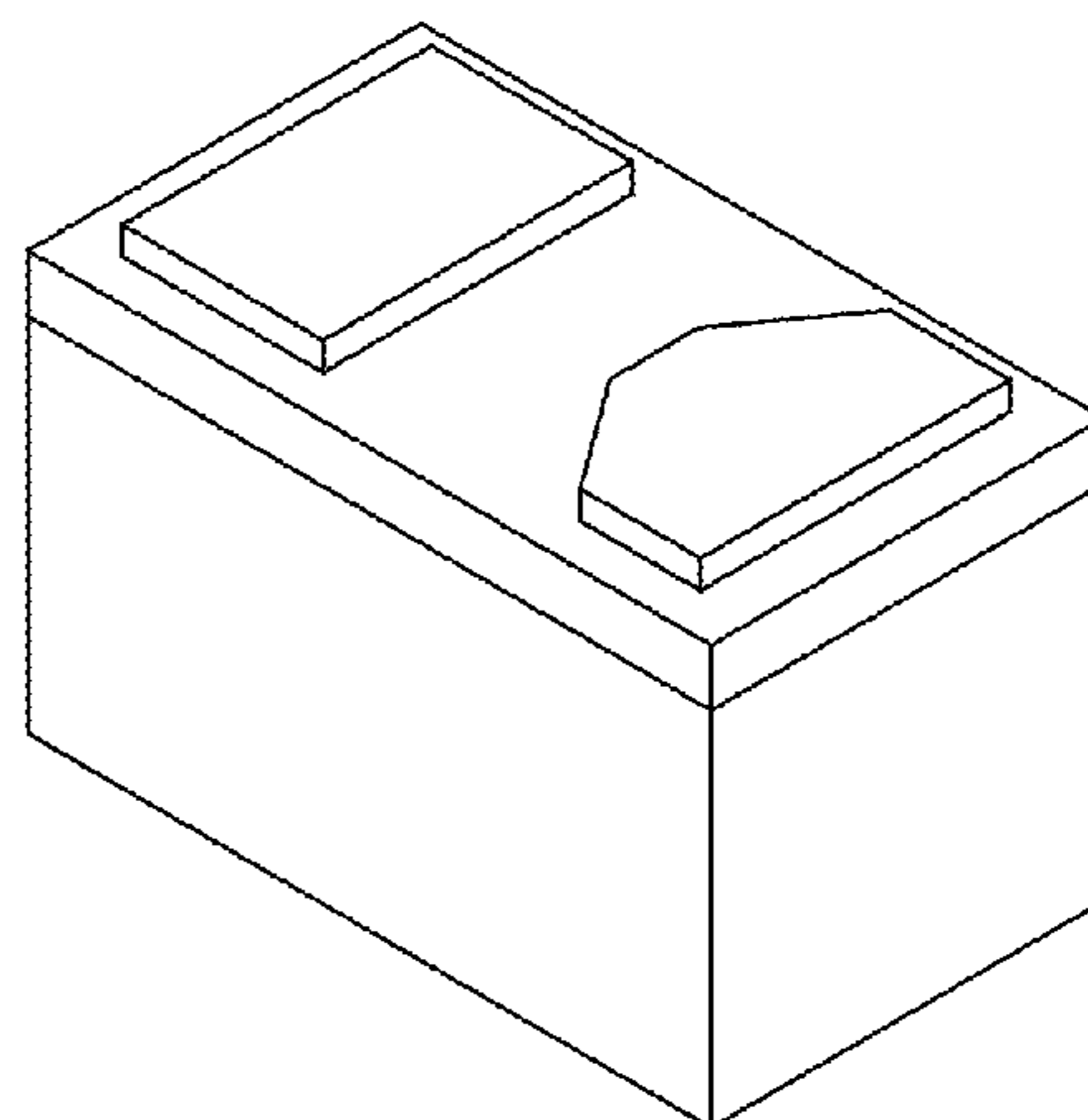
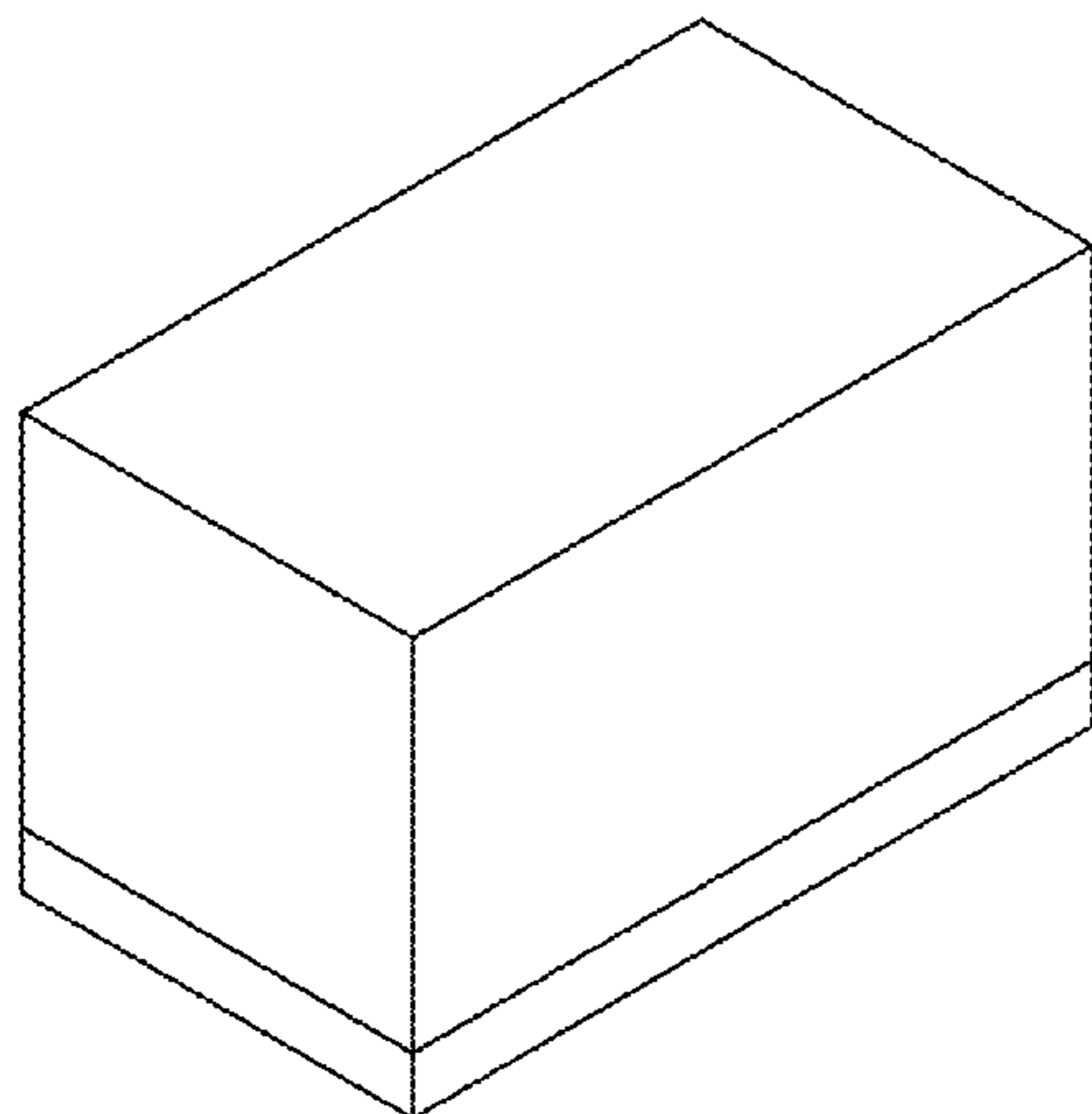
FIG. 15 is a front view thereof, a rear view being a mirror image of FIG. 15;

FIG. 16 is a top plan view thereof;

FIG. 17 is a bottom plan view thereof; and,

FIG. 18 is a left side view thereof, a right side view being identical to FIG. 18.

**1 Claim, 9 Drawing Sheets**



(30) **Foreign Application Priority Data**

Jun. 30, 2014 (JP) ..... 2014-014302  
Oct. 10, 2014 (JP) ..... 2014-022862  
Oct. 10, 2014 (JP) ..... 2014-022863  
Oct. 10, 2014 (JP) ..... 2014-022864

(58) **Field of Classification Search**

CPC .... H01L 25/167; H01L 25/0753; H01L 27/15;  
H01L 27/156; H01L 31/02; H01L 33/00;  
H01L 33/04; H01L 33/08; H01L 33/10;  
H01L 33/20; H01L 33/38; H01L 33/42;  
H01L 33/48; H01L 33/62; H01L 33/483;  
H01L 33/486; F21K 9/00; F21K  
9/30; F21K 9/54

See application file for complete search history.

(56) **References Cited**

U.S. PATENT DOCUMENTS

D653,629 S \* 2/2012 Miyashita ..... D13/180  
D709,840 S \* 7/2014 Tsai ..... D13/180  
D710,811 S \* 8/2014 Chen ..... D13/180  
D719,535 S \* 12/2014 Iino ..... D13/180  
D724,039 S \* 3/2015 Iino ..... D13/180  
D724,548 S \* 3/2015 Iino ..... D13/180  
9,153,545 B2 \* 10/2015 Yamamoto ..... H01L 25/0753  
D744,965 S \* 12/2015 Chen ..... D13/180  
9,202,989 B2 \* 12/2015 Tanuma ..... H01L 33/60  
9,236,370 B2 \* 1/2016 Chu ..... H01L 25/50  
2010/0163920 A1 \* 7/2010 Itai ..... H01L 33/486  
257/99

\* cited by examiner

Fig. 1

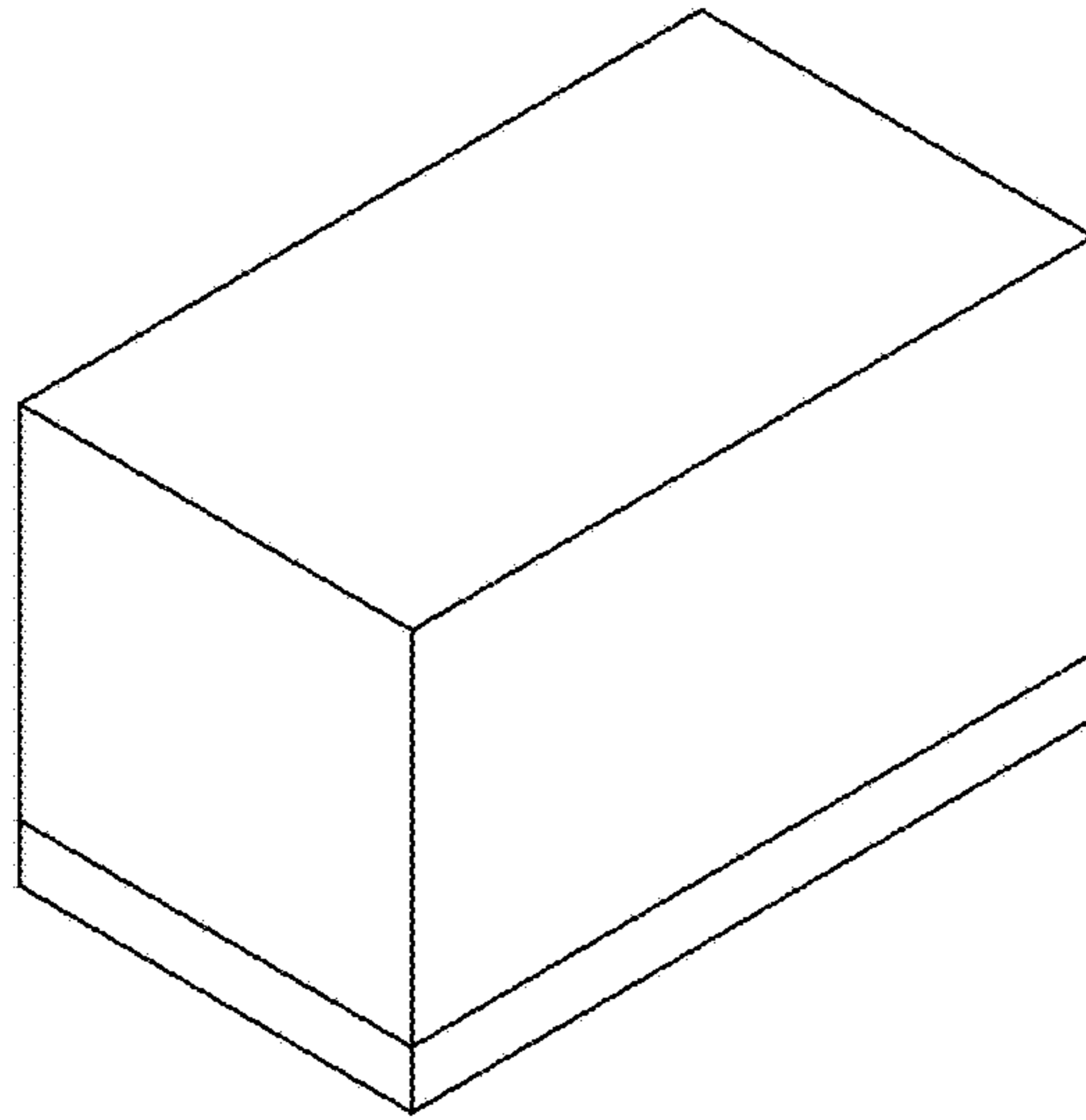


Fig. 2

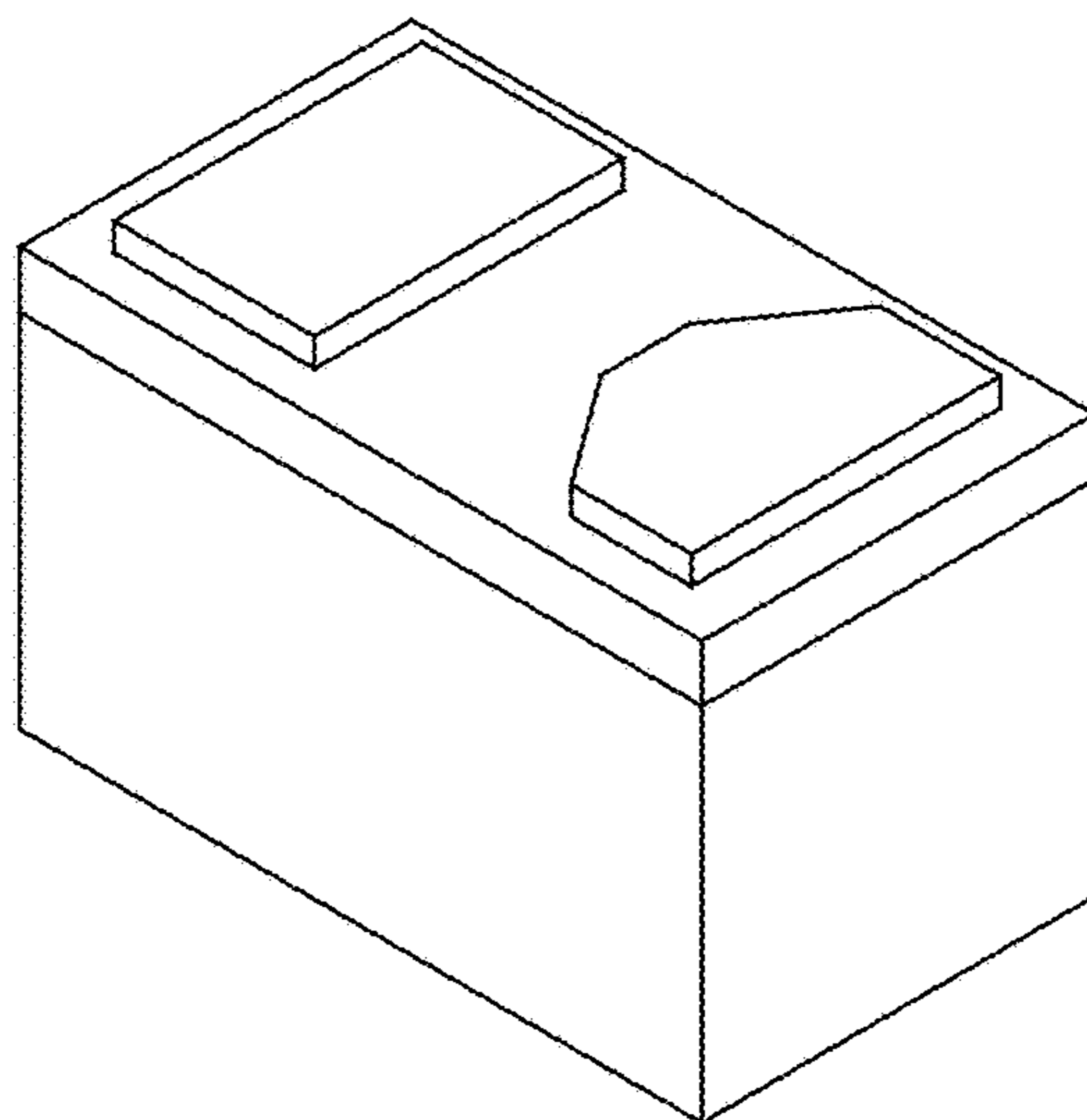


Fig. 3

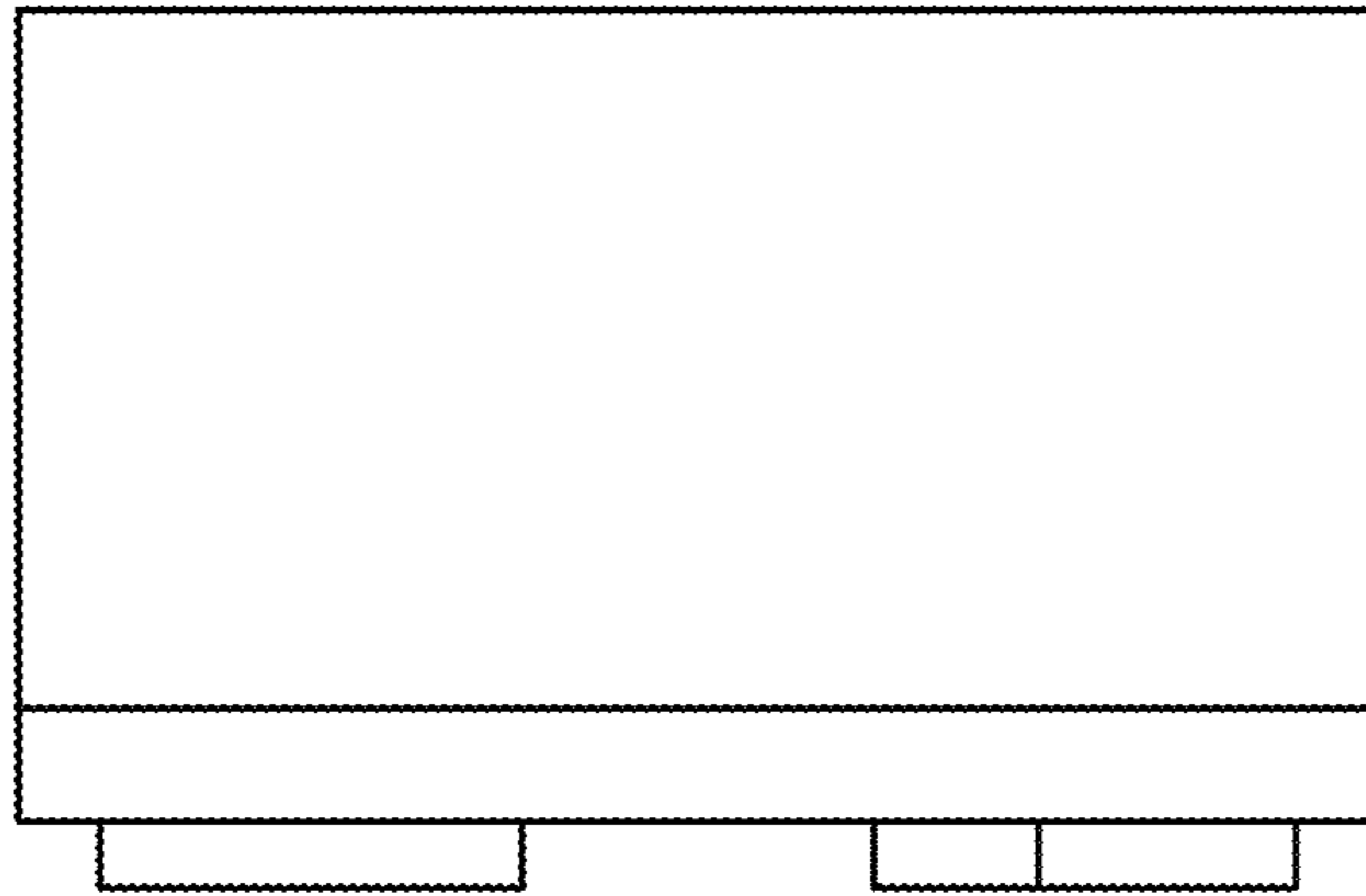


Fig. 4

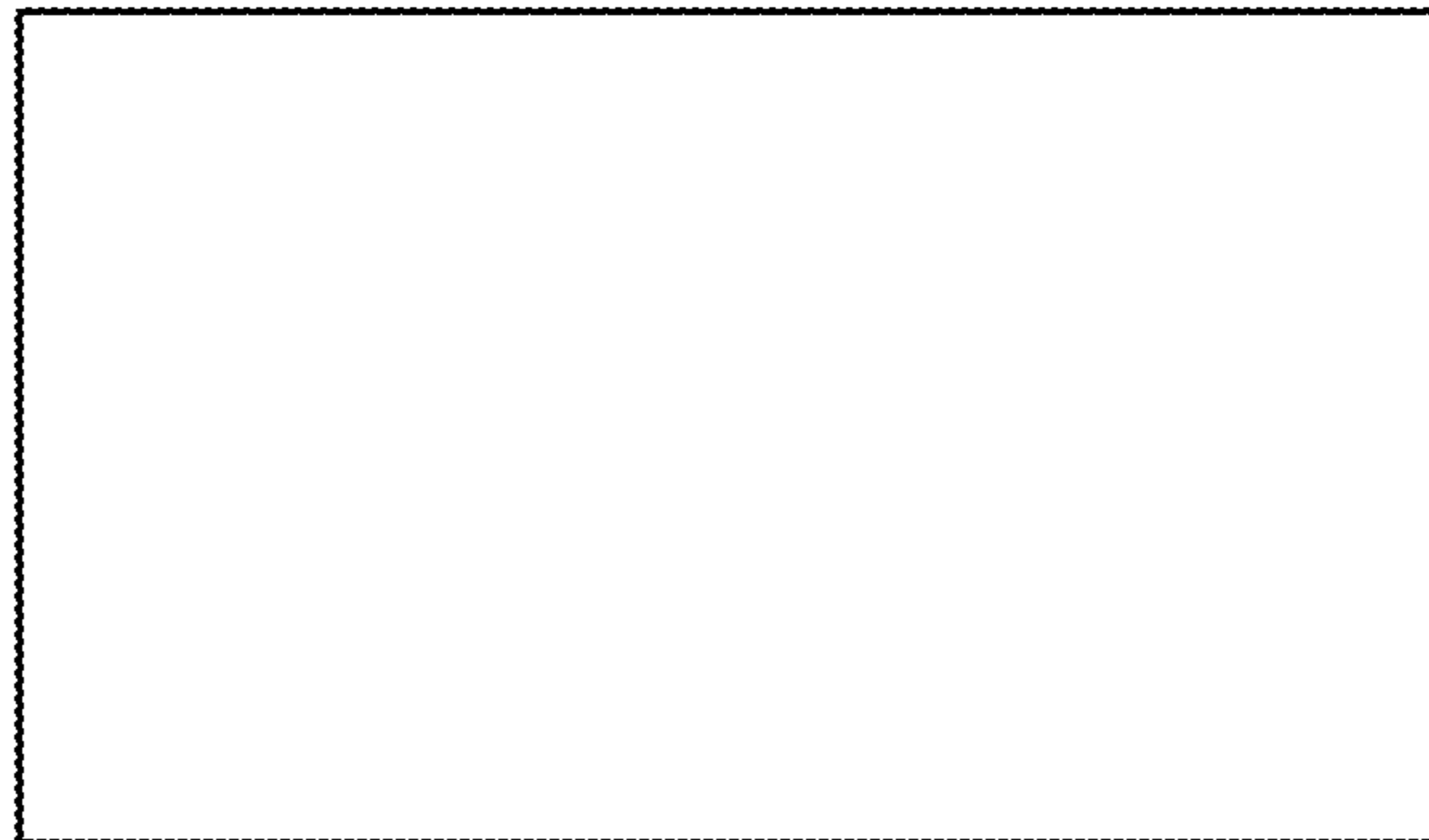


Fig. 5

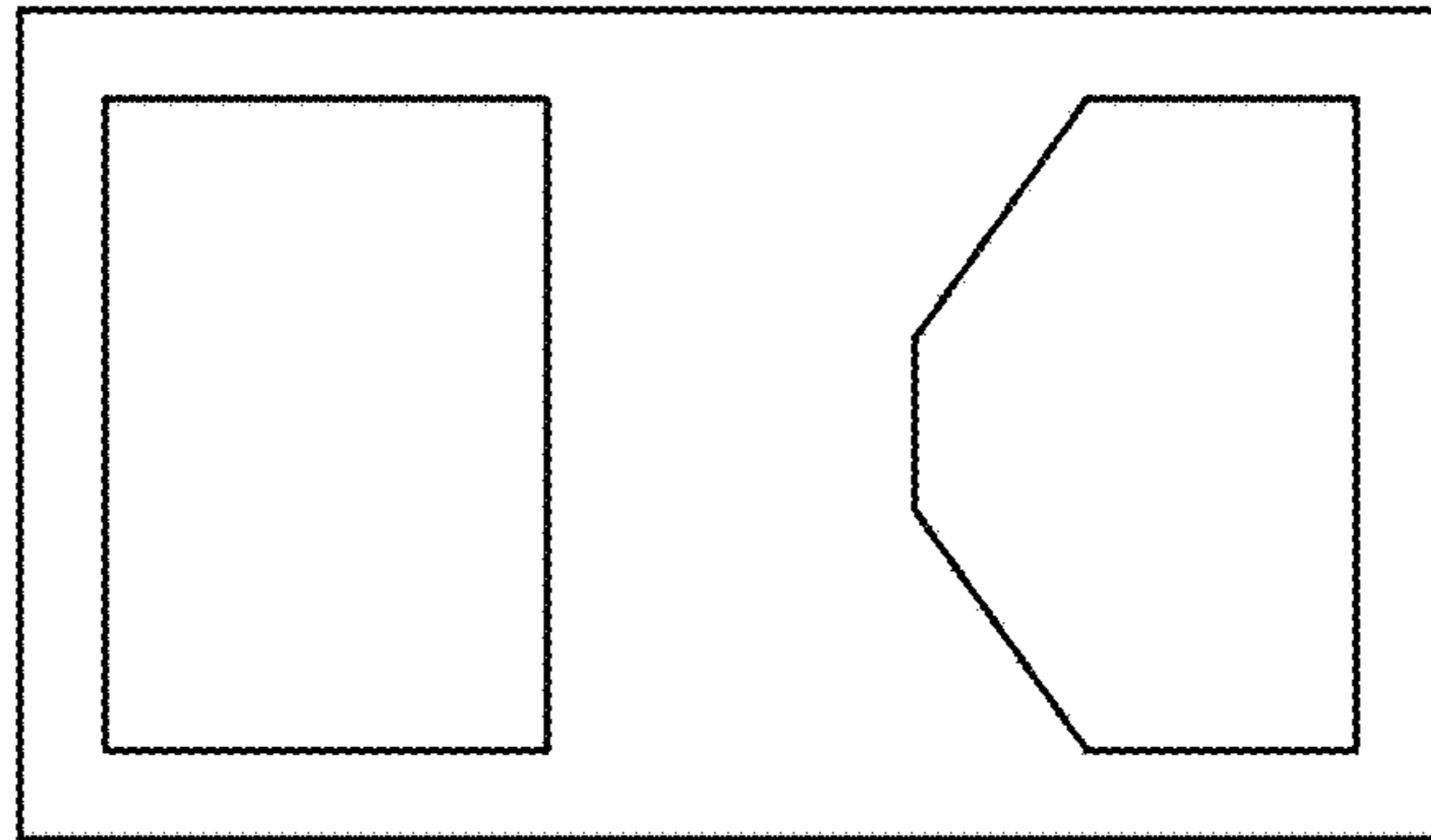


Fig. 6

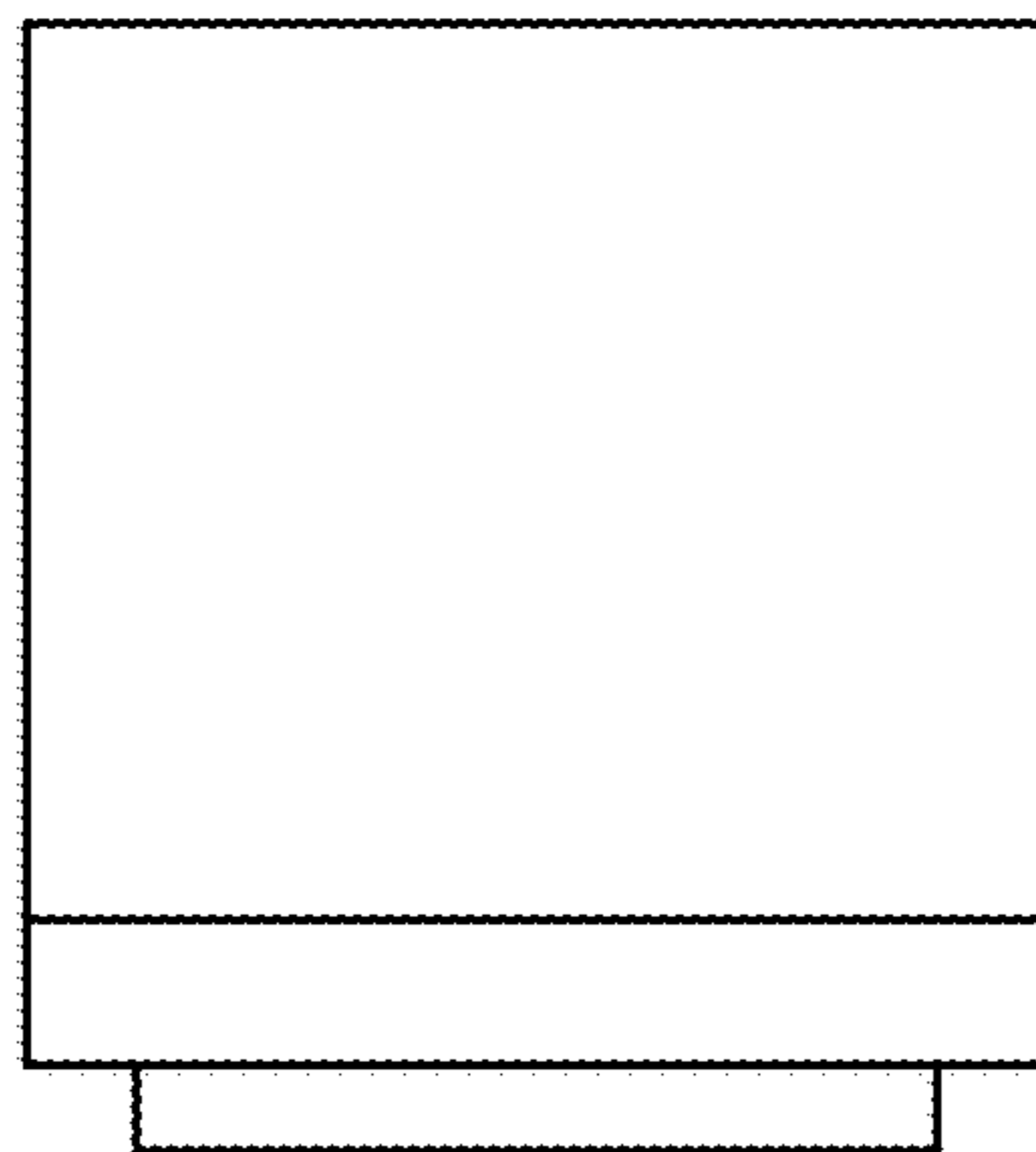


Fig. 7

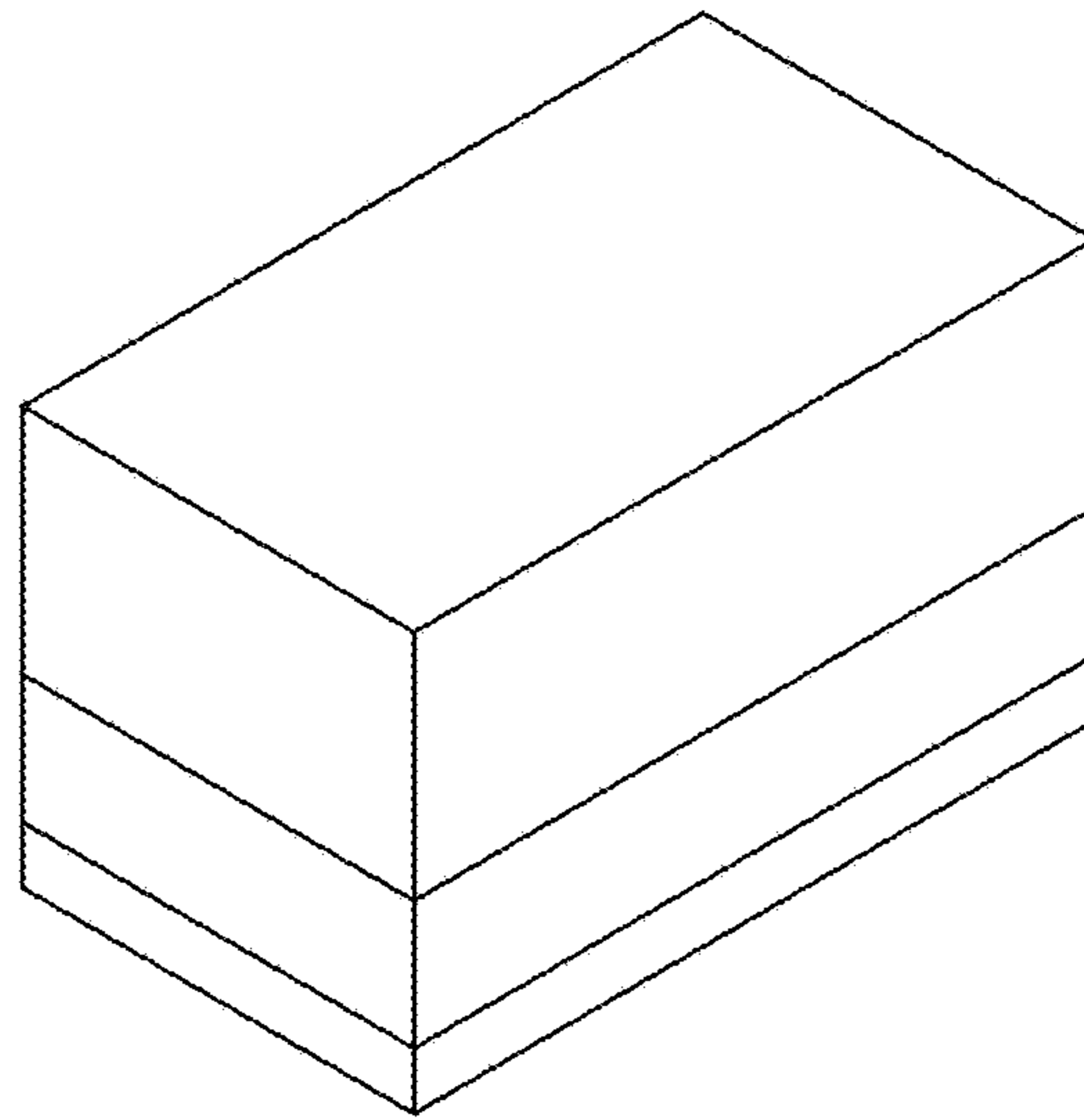


Fig. 8

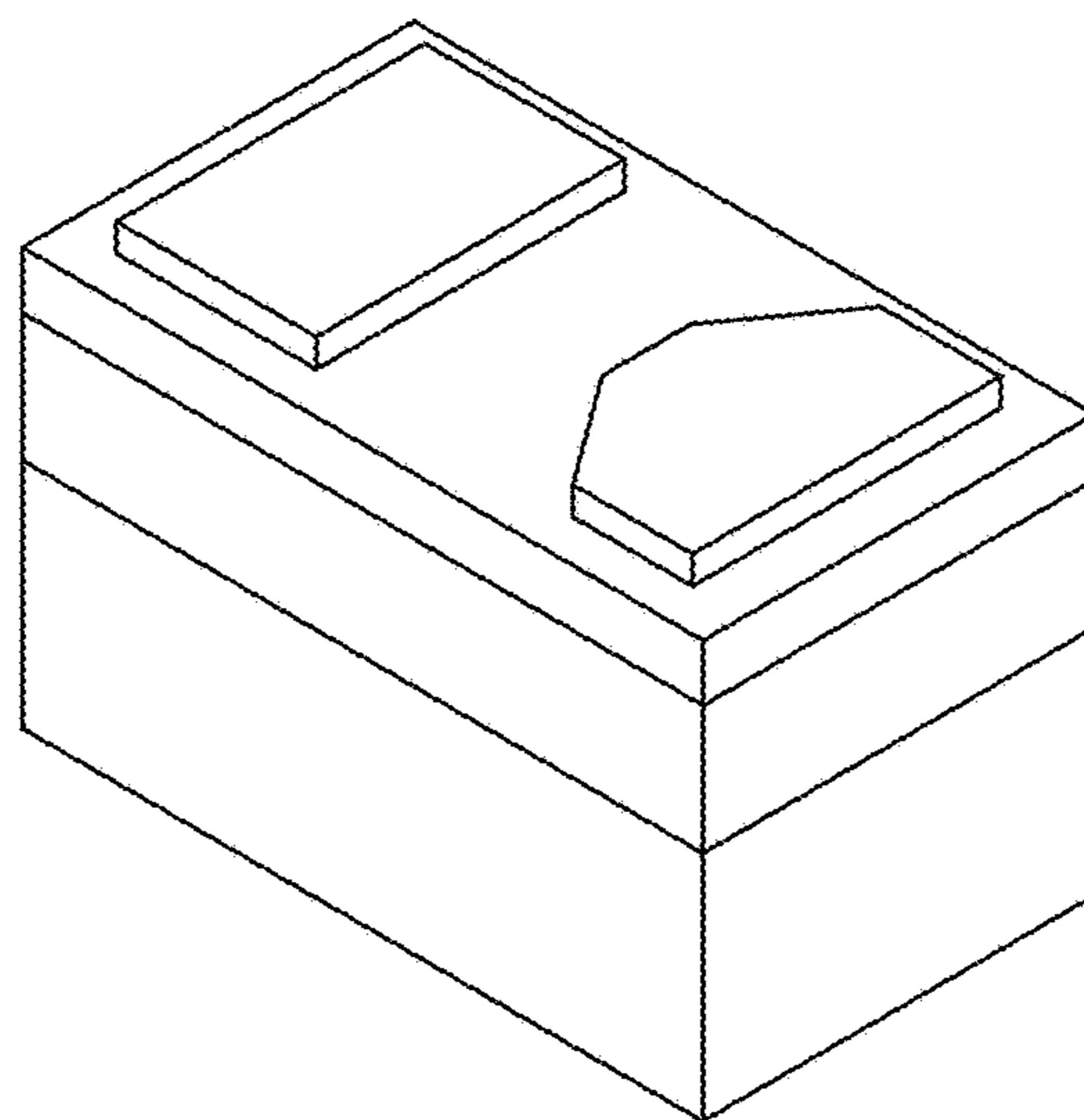


Fig. 9

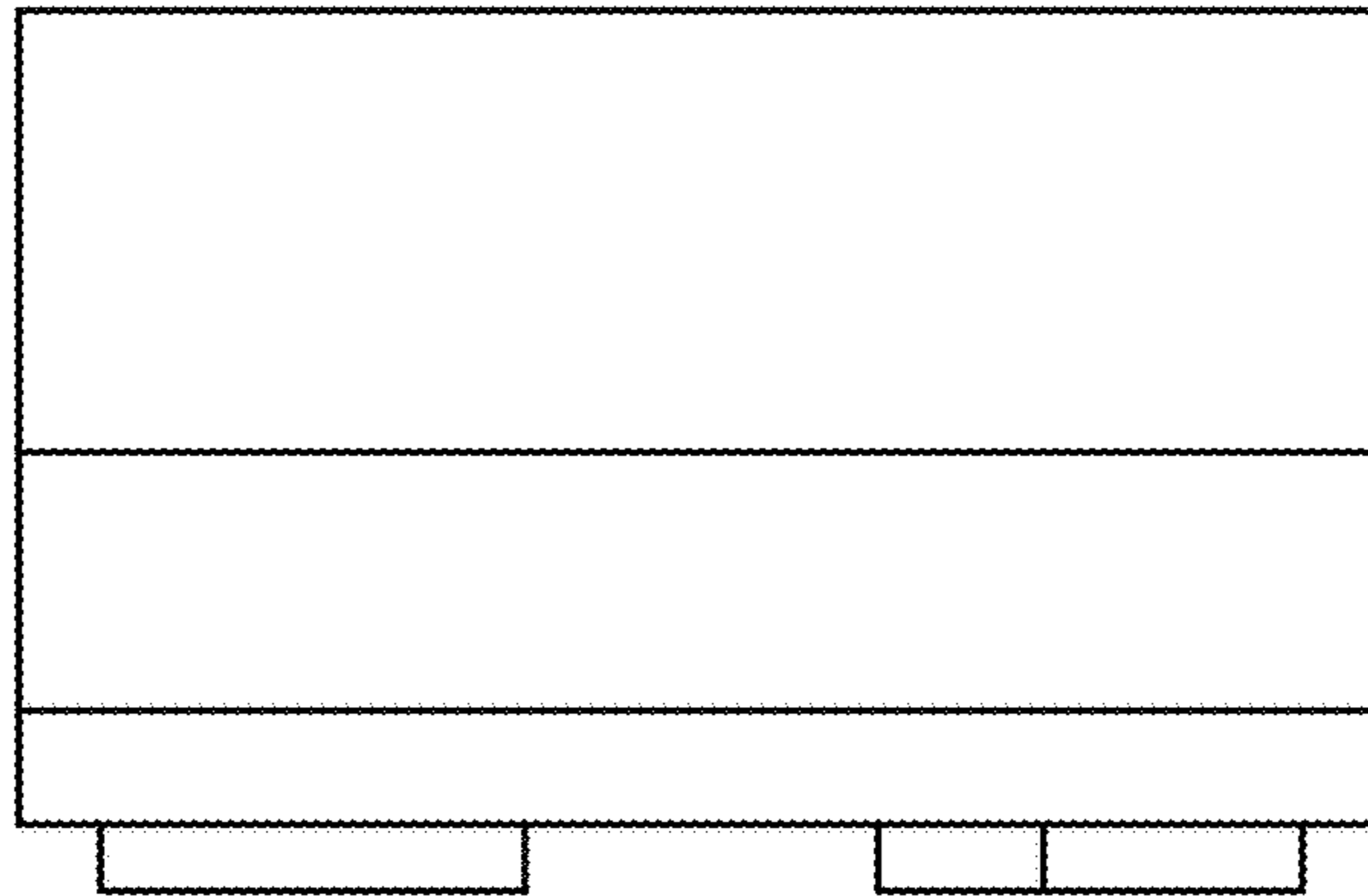


Fig. 10

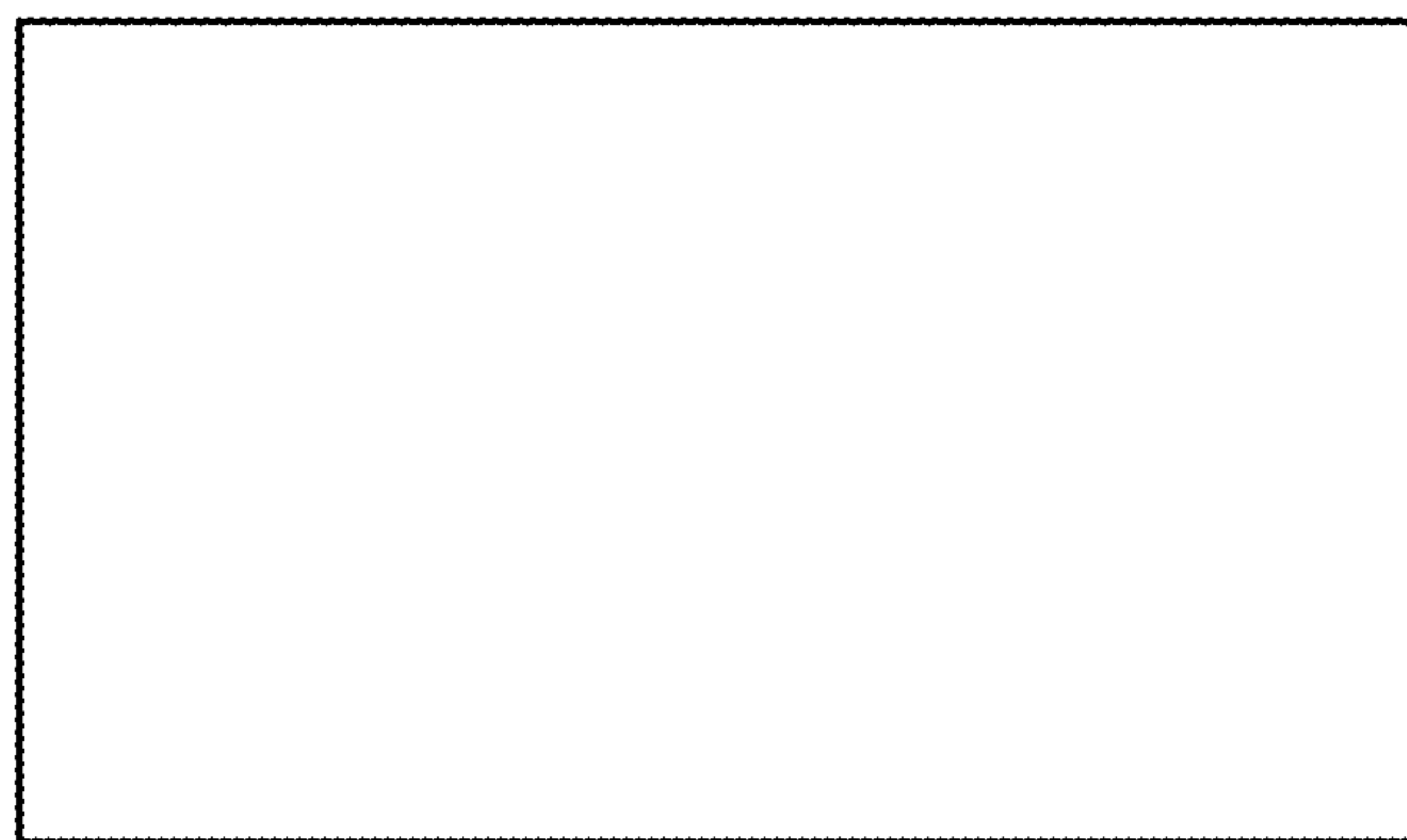


Fig. 11

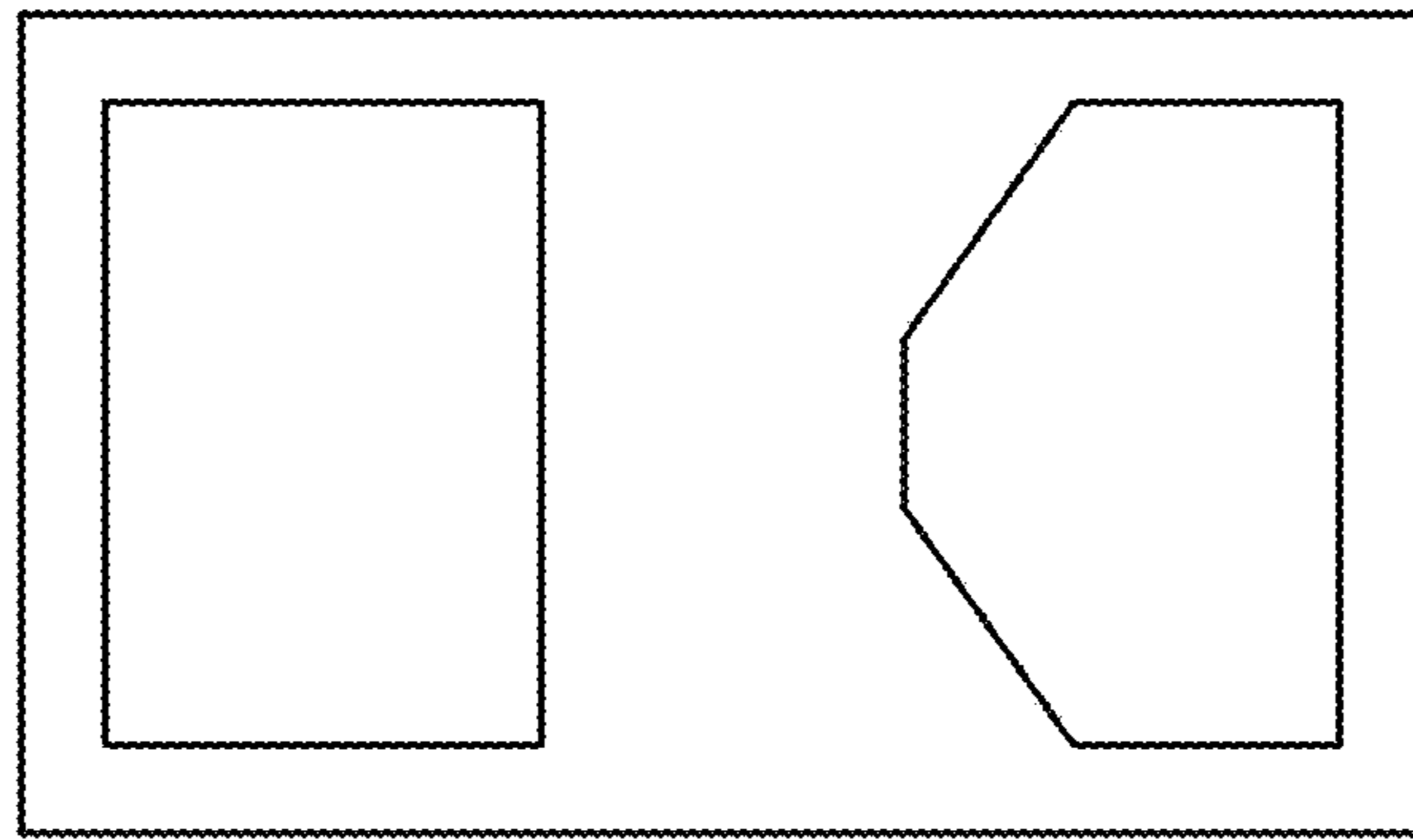


Fig. 12

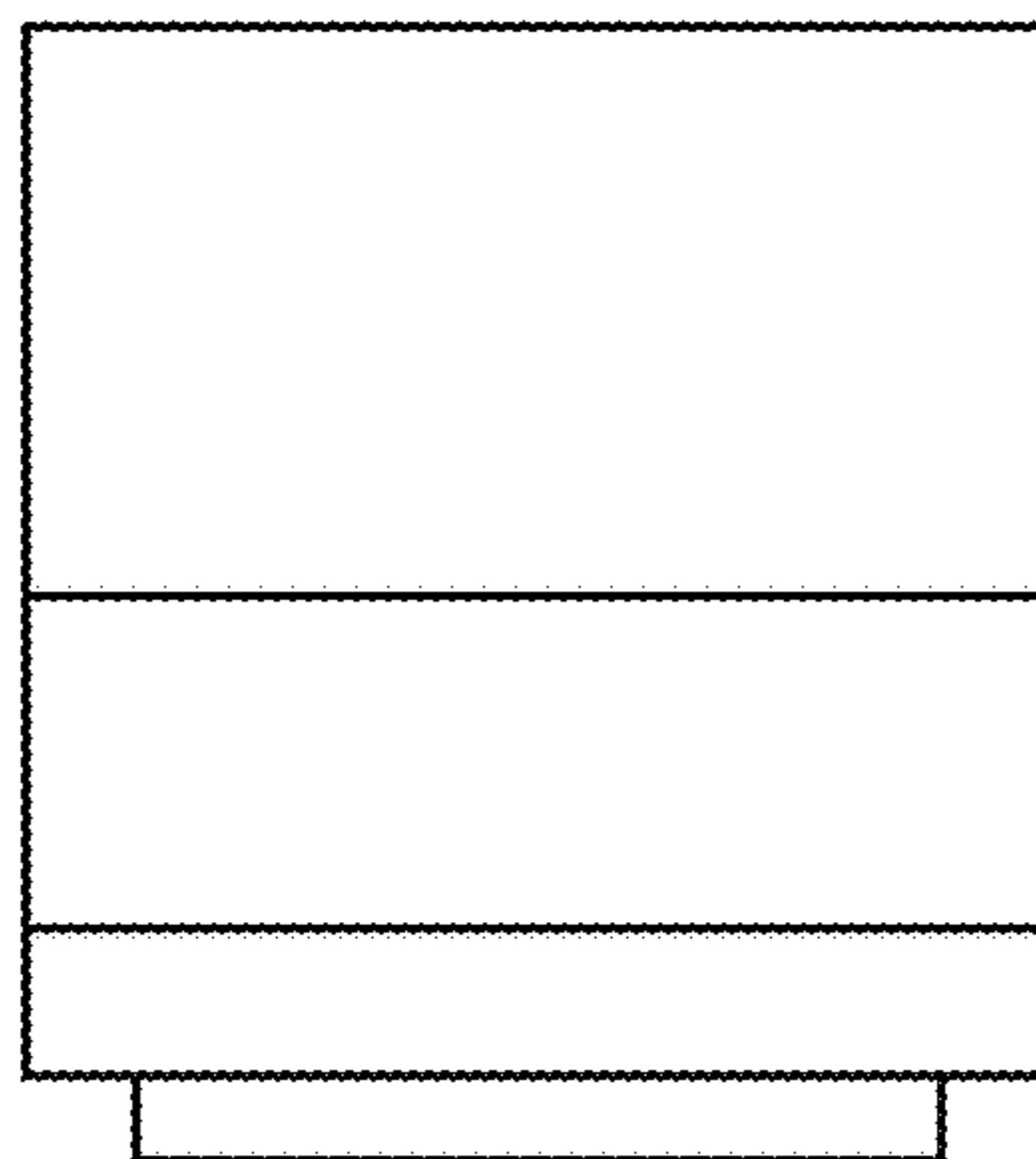




Fig. 13

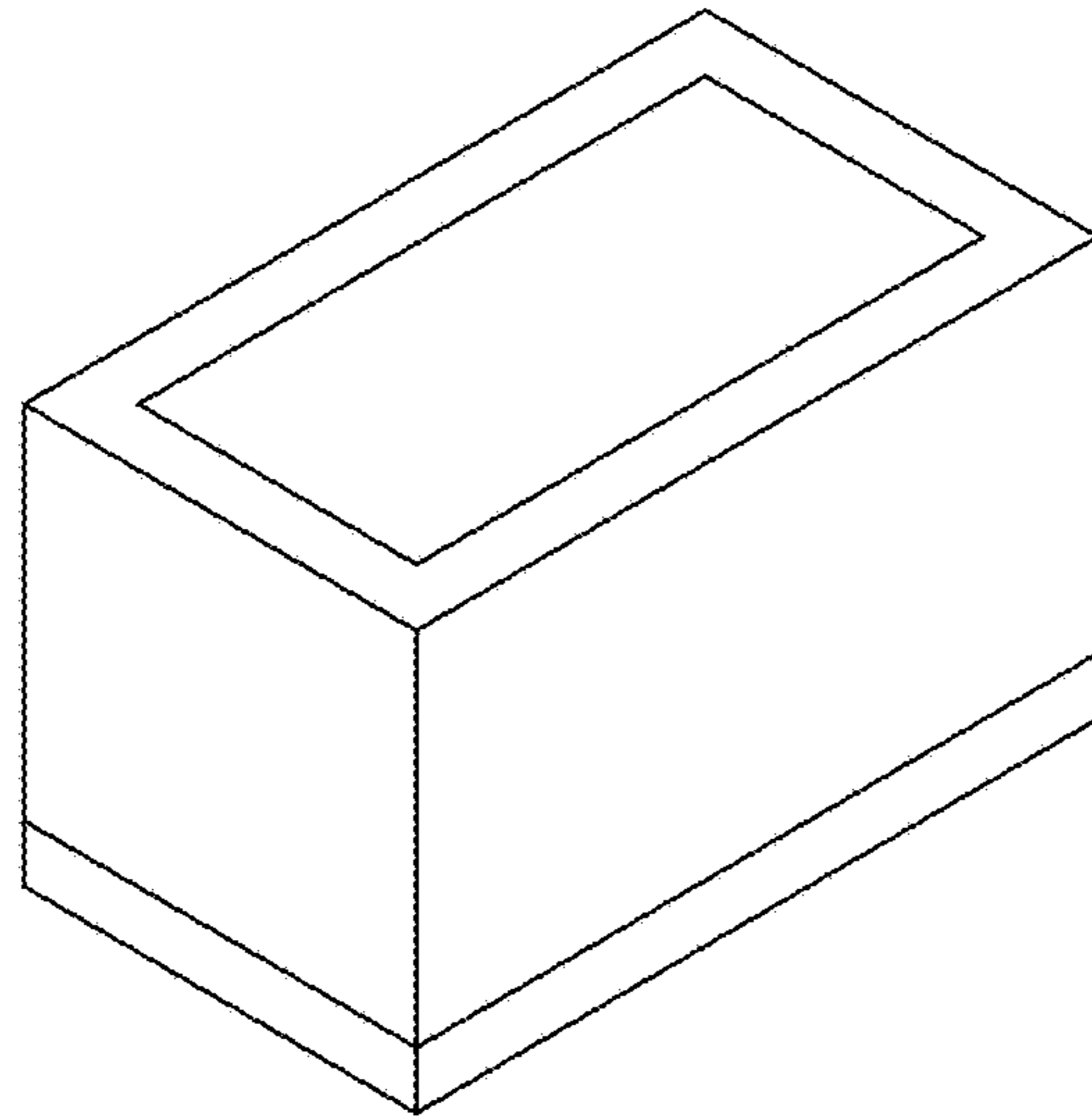


Fig. 14

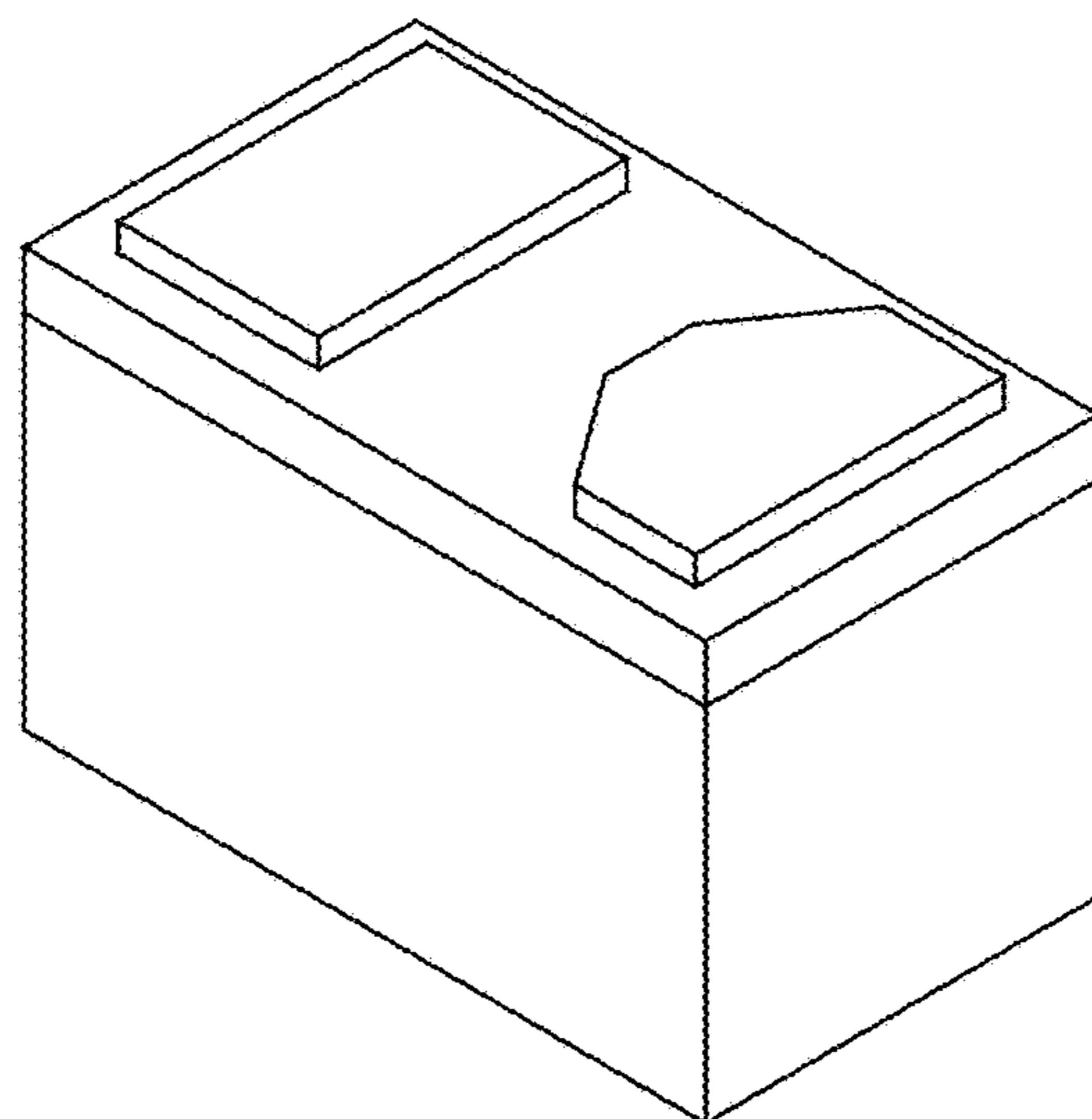


Fig. 15

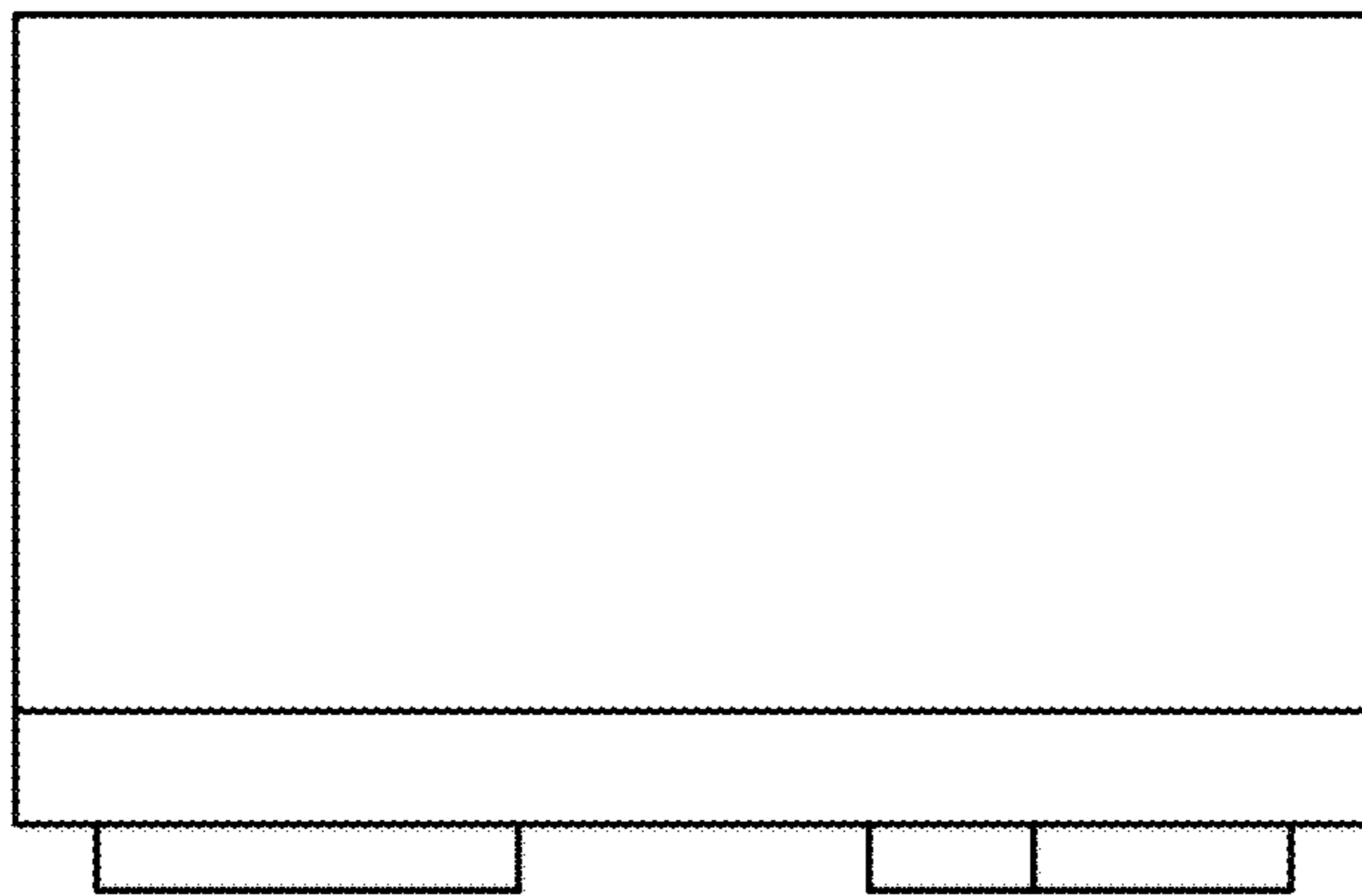


Fig. 16

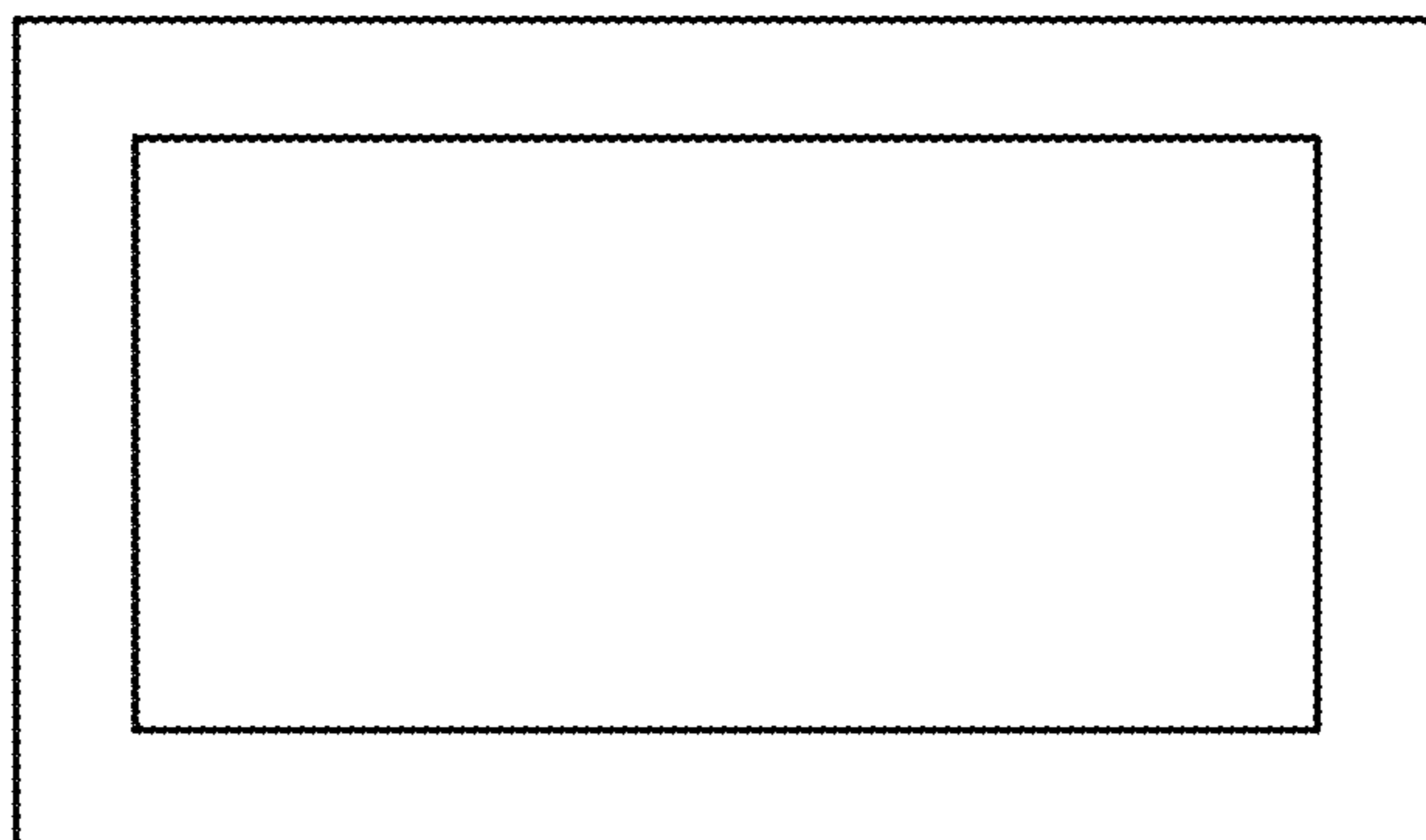


Fig. 17

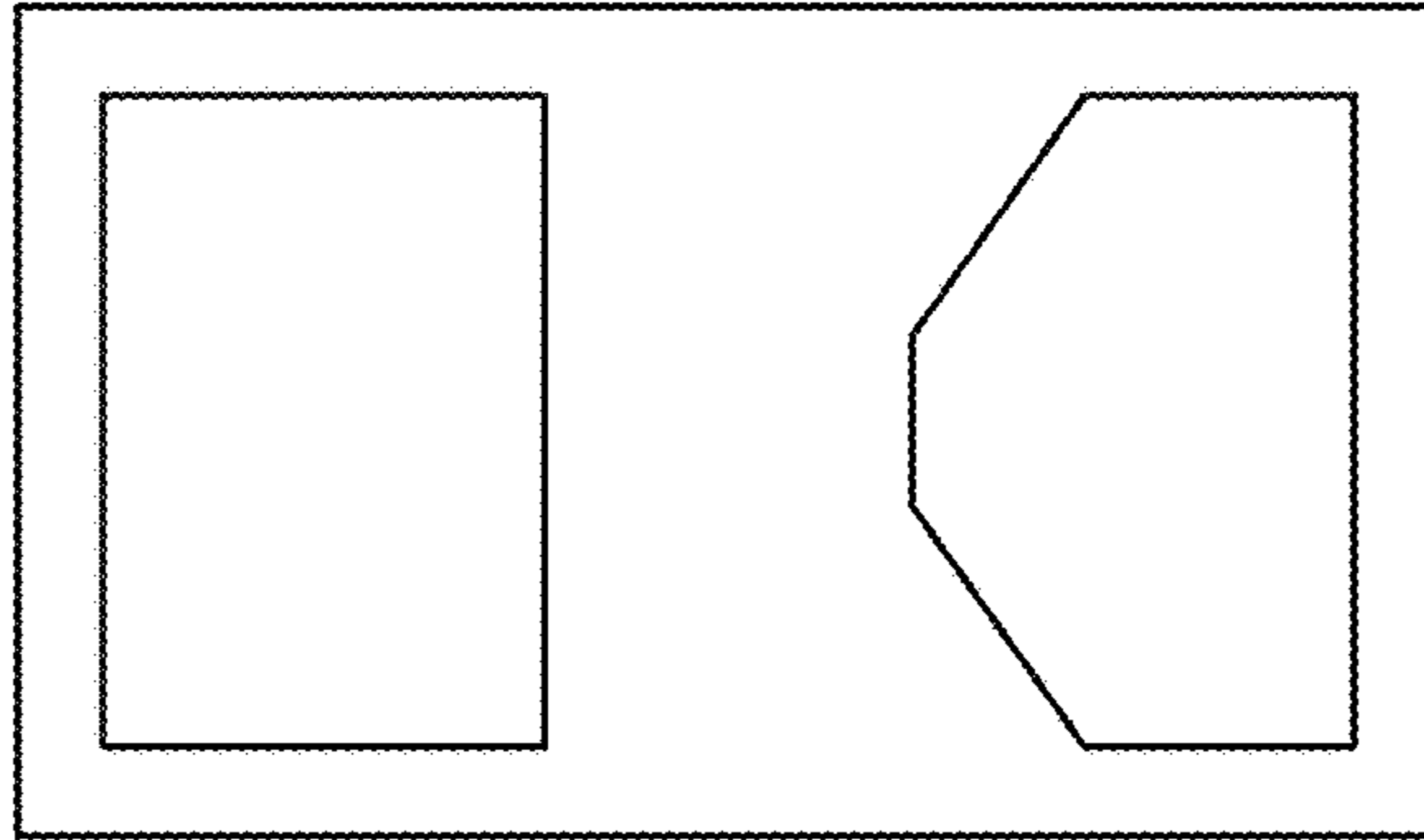


Fig. 18

