



US00D780133S

(12) **United States Design Patent** (10) **Patent No.:** **US D780,133 S**
Gage et al. (45) **Date of Patent:** **** Feb. 28, 2017**

(54) **KEYPAD**
(71) Applicant: **Lutron Electronics Co., Inc.**,
Coopersburg, PA (US)
(72) Inventors: **Alexander Wade Gage**, Havertown, PA
(US); **Elliot G. Jacoby**, Glenside, PA
(US); **Jason C. Killo**, Emmaus, PA
(US); **Brad Michael Kreschollek**,
Bethlehem, PA (US); **Daniel Curtis**
Raneri, Bethlehem, PA (US)

D566,658 S 4/2008 Mayo et al.
D568,828 S 5/2008 Mayo et al.
D570,299 S 6/2008 Jacoby et al.
D572,202 S 7/2008 Jacoby et al.
D572,208 S 7/2008 Mayo et al.
D572,667 S 7/2008 Mayo et al.
D573,956 S 7/2008 Hollner et al.
7,641,491 B2 1/2010 Altonen et al.
D624,881 S 10/2010 Altonen et al.
D624,882 S 10/2010 Altonen et al.
7,872,429 B2 1/2011 Steiner et al.
D678,850 S * 3/2013 Wisniewski D13/174
(Continued)

(73) Assignee: **Lutron Electronics Co., Inc.**,
Coopersburg, PA (US)

(**) Term: **15 Years**

(21) Appl. No.: **29/536,802**

(22) Filed: **Aug. 19, 2015**

(51) **LOC (10) Cl.** **13-03**

(52) **U.S. Cl.**
USPC **D13/174**

(58) **Field of Classification Search**
USPC D13/162, 174
CPC G08C 17/02; H05B 33/0845; H05B 37/02;
H05B 37/0272; H05B 39/02; H05B 39/04;
H05B 39/041; H05B 39/08; H05B 39/085
See application file for complete search history.

(56) **References Cited**

U.S. PATENT DOCUMENTS

D309,268 S 7/1990 Wada et al.
D310,340 S 9/1990 Wada et al.
D364,573 S 11/1995 Pearsall
D436,930 S 1/2001 Butler et al.
D453,742 S 2/2002 Butler et al.
D465,460 S 11/2002 Mayo et al.
D563,901 S 3/2008 Mayo et al.
D566,048 S 4/2008 Mace et al.

OTHER PUBLICATIONS

Lightolier, Specification Sheet for iGen Dali 4-Button Scene Con-
troller Model No. DA-WS4SS-7, 2007, 2 pages.
(Continued)

Primary Examiner — Selina Sikder
(74) *Attorney, Agent, or Firm* — Saidman DesignLaw
Group, LLC

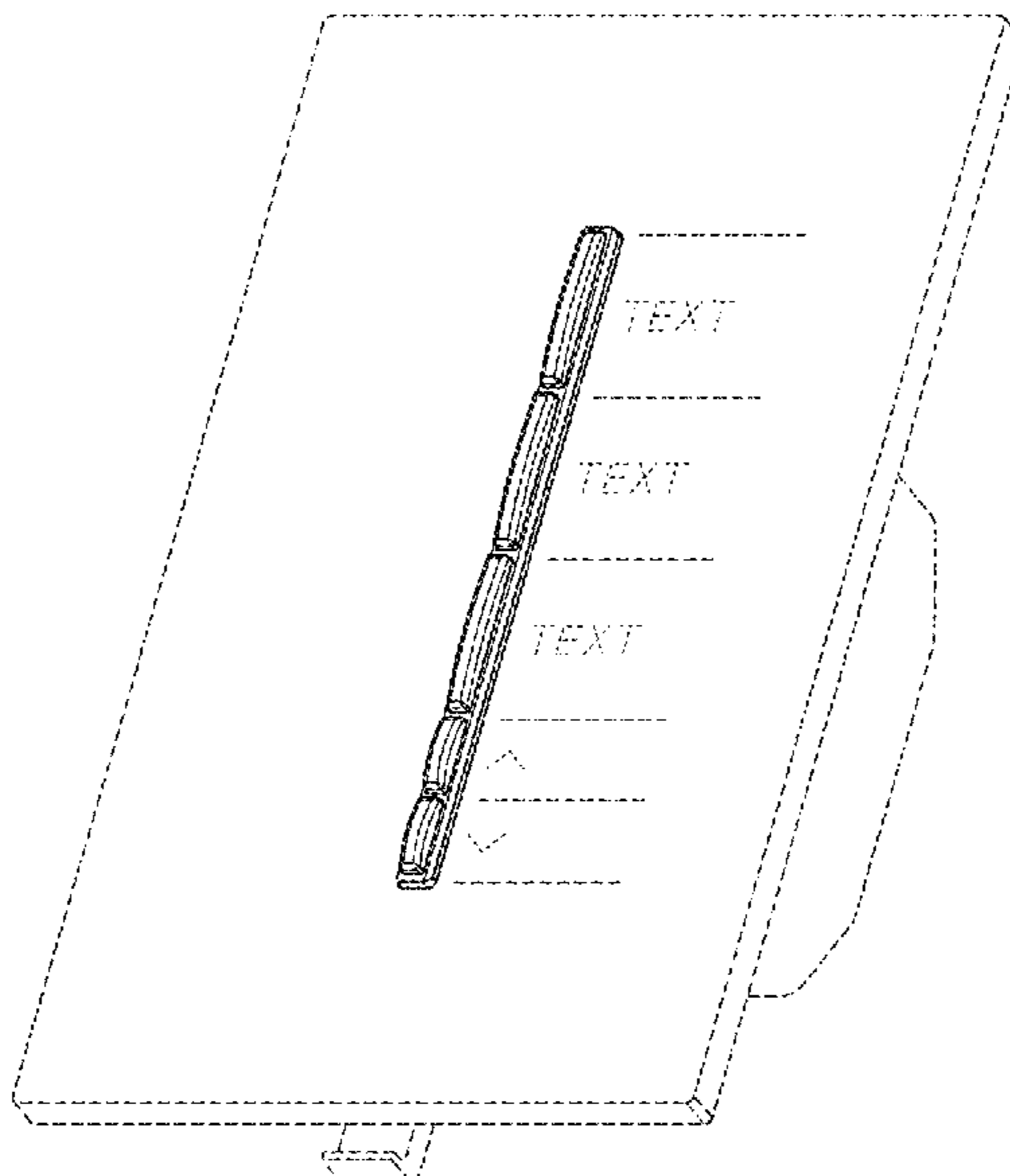
(57) **CLAIM**

The ornamental design for a keypad, as shown and
described.

DESCRIPTION

FIG. 1 is a front perspective view of a keypad showing our
new design;
FIG. 2 is a front view thereof;
FIG. 3 is a left side view thereof;
FIG. 4 is a right side view thereof;
FIG. 5 is a top view thereof; and,
FIG. 6 is a bottom view thereof.
The dashed broken lines represent structure or features
which form no part of the claimed design; the broken lines
themselves form no part of the claimed design.

1 Claim, 4 Drawing Sheets



(56)

References Cited

U.S. PATENT DOCUMENTS

D705,179 S * 5/2014 Wisniewski D13/174
9,167,666 B1 * 10/2015 Billheimer H05B 37/02
9,389,769 B1 * 7/2016 O’Keeffe G06F 1/3262
2007/0216318 A1 * 9/2007 Altonen G02B 6/0001
315/209 R
2007/0272532 A1 * 11/2007 Pessina H02G 3/14
200/333
2007/0291010 A1 * 12/2007 Altonen H05B 39/085
345/173
2008/0258644 A1 10/2008 Altonen et al.
2009/0184652 A1 7/2009 Bollinger, Jr. et al.

OTHER PUBLICATIONS

Inncom, GS-700 Family Glass Series Switches Sell Sheet, Nov. 2008, 2 pages.

U.S. Appl. No. 29/502,399, filed Sep. 16, 2014. (Unpublished).
U.S. Appl. No. 29/515,919, filed Jan. 28, 2015. (Unpublished).
U.S. Appl. No. 29/515,921, filed Jan. 28, 2015. (Unpublished).
U.S. Appl. No. 29/447,481, filed Mar. 4, 2013. (Unpublished).
U.S. Appl. No. 29/447,485, filed Mar. 4, 2013. (Unpublished).
U.S. Appl. No. 29/536,775, filed Aug. 19, 2015. (Unpublished).
U.S. Appl. No. 29/536,770, filed Aug. 19, 2015. (Unpublished).
U.S. Appl. No. 29/536,771, filed Aug. 19, 2015. (Unpublished).
U.S. Appl. No. 29/536,772, filed Aug. 19, 2015. (Unpublished).
U.S. Appl. No. 29/536,767, filed Aug. 19, 2015. (Unpublished).
U.S. Appl. No. 29/536,765, filed Aug. 19, 2015. (Unpublished).
U.S. Appl. No. 29/536,768, filed Aug. 19, 2015. (Unpublished).
U.S. Appl. No. 29/536,792, filed Aug. 19, 2015. (Unpublished).
U.S. Appl. No. 29/536,805, filed Aug. 19, 2015. (Unpublished).
U.S. Appl. No. 29/536,796, filed Aug. 19, 2015. (Unpublished).
U.S. Appl. No. 29/536,810, filed Aug. 19, 2015. (Unpublished).
U.S. Appl. No. 29/536,808, filed Aug. 19, 2015. (Unpublished).
U.S. Appl. No. 29/536,807, filed Aug. 19, 2015. (Unpublished).

* cited by examiner

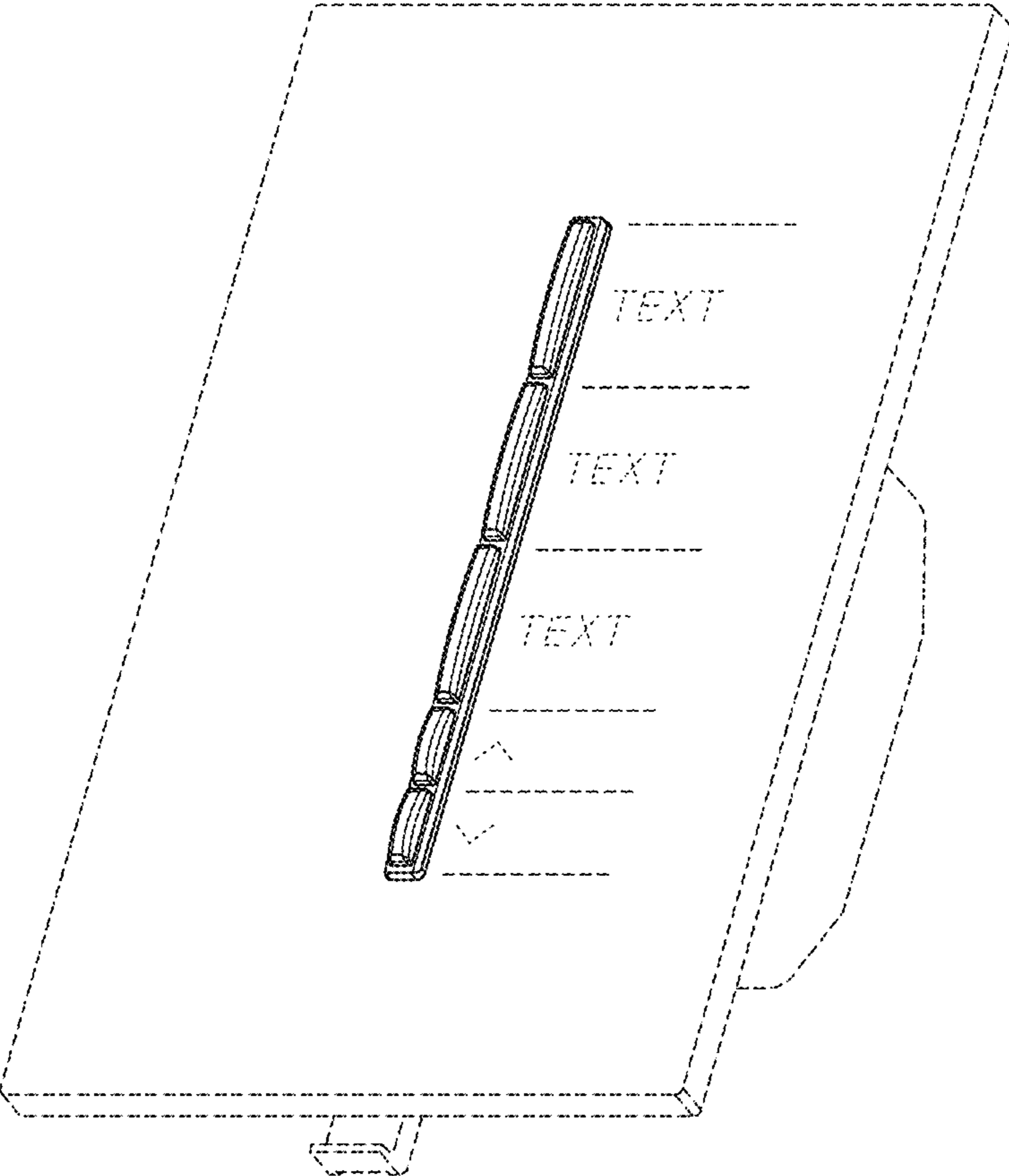


FIG. 1

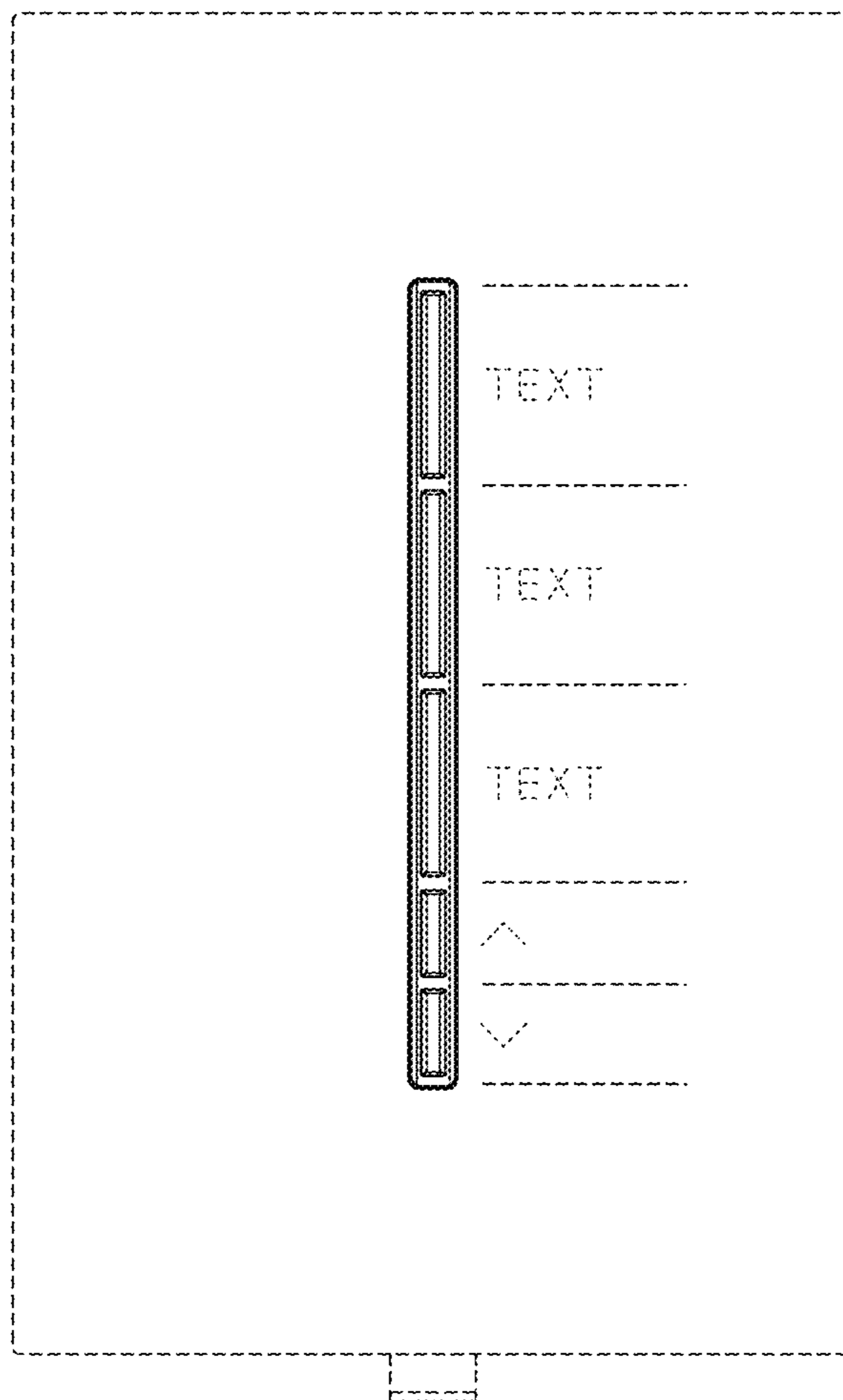


FIG. 2

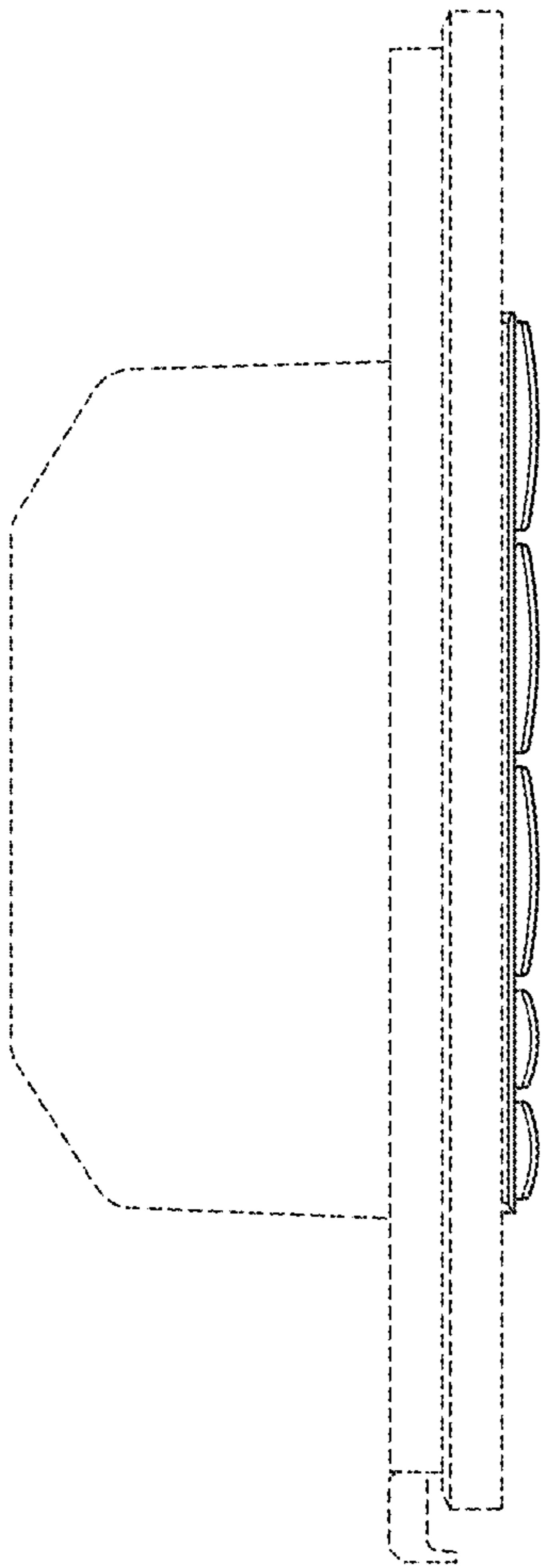


FIG. 3

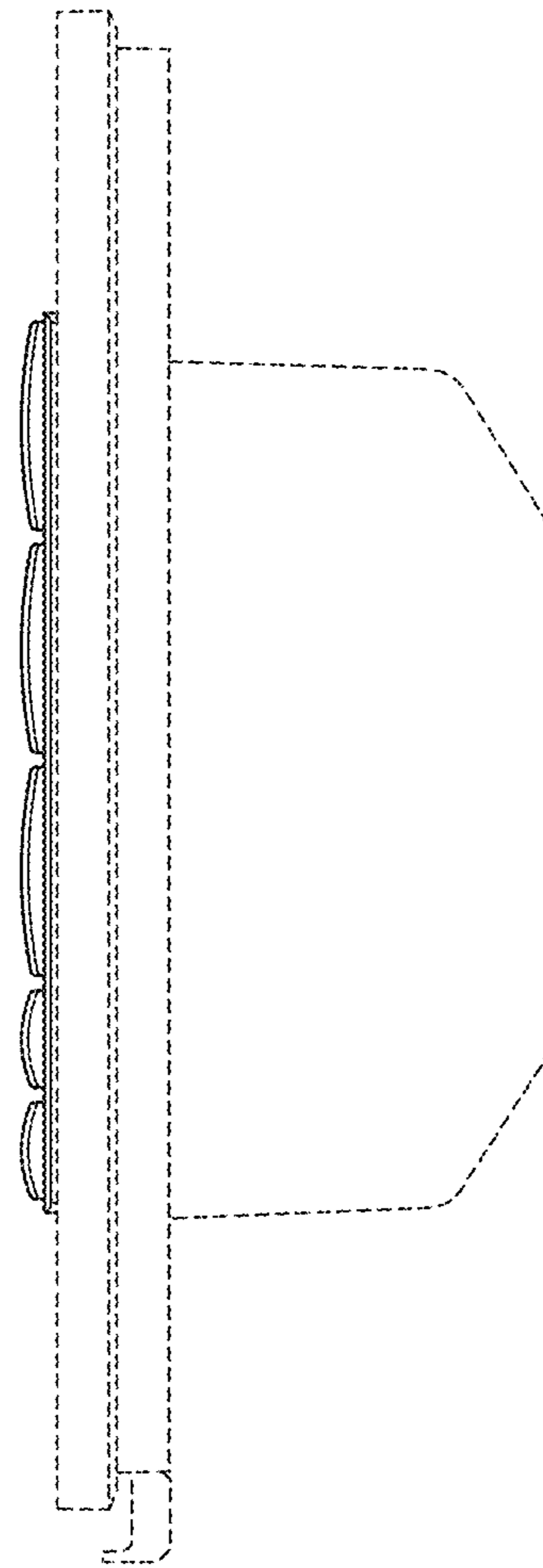


FIG. 4

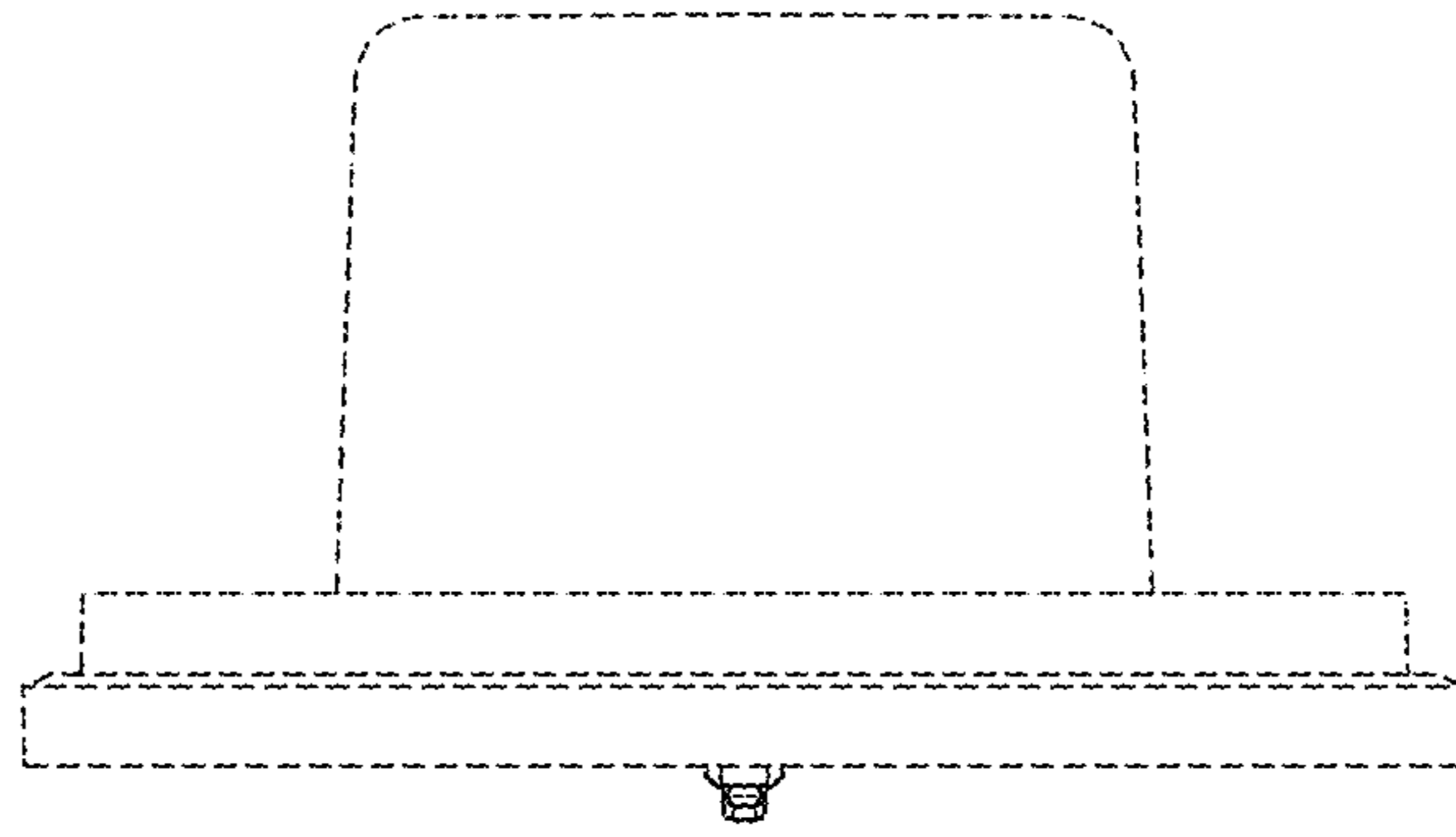


FIG. 5

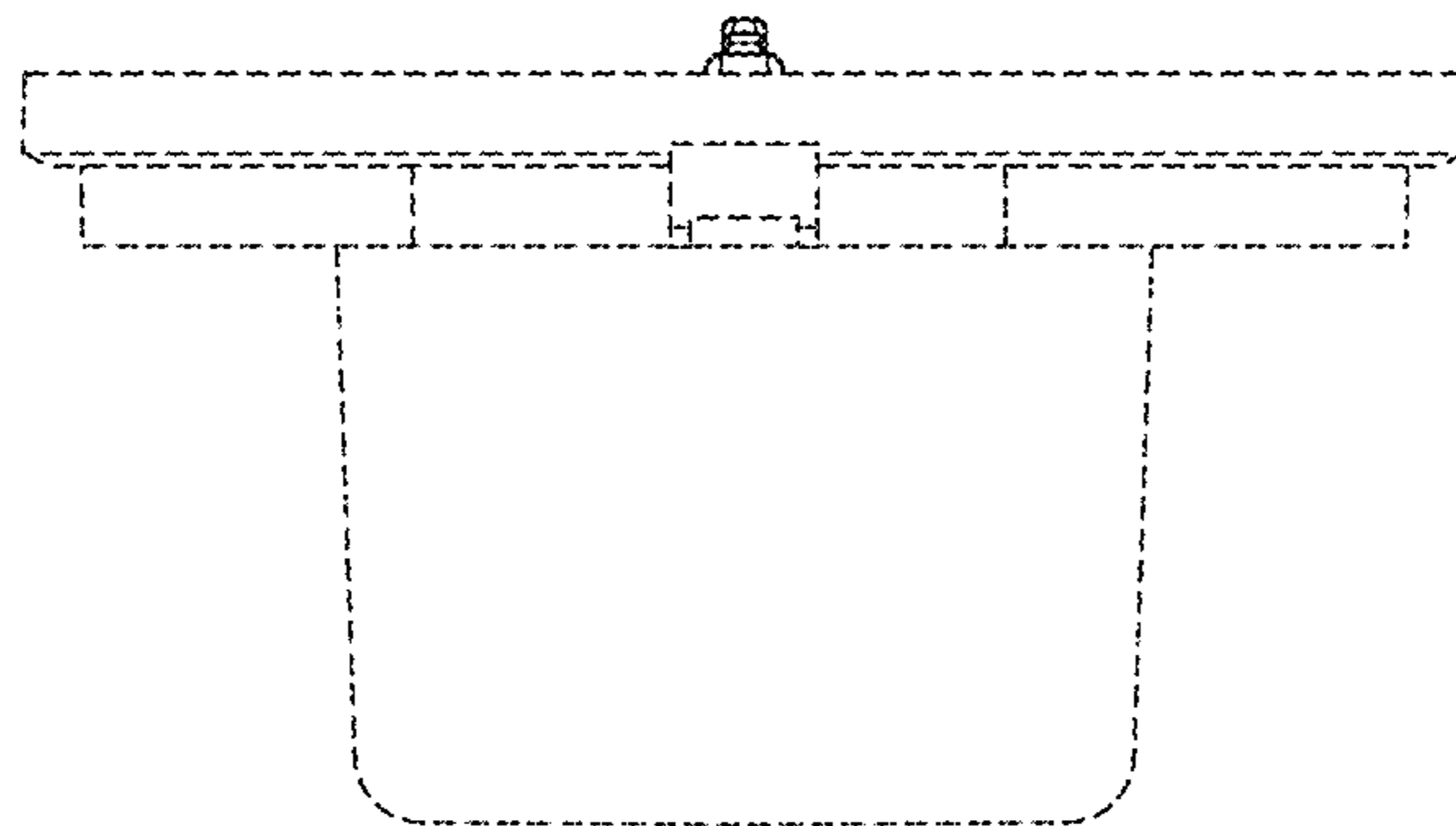


FIG. 6