



US00D780127S

(12) **United States Design Patent**  
**Greiser**

(10) **Patent No.:** **US D780,127 S**

(45) **Date of Patent:** **\*\* Feb. 28, 2017**

(54) **HOUSING FOR ELECTRONIC CIRCUITRY**

(71) Applicant: **Beckhoff Automation GmbH, Verl**  
(DE)

(72) Inventor: **Frank Greiser, Rheda-Wiedenbrueck**  
(DE)

(73) Assignee: **BECKHOFF AUTOMATION GMBH,**  
Verl (DE)

(\*\*) Term: **14 Years**

(21) Appl. No.: **29/515,930**

(22) Filed: **Jan. 28, 2015**

(30) **Foreign Application Priority Data**

Aug. 4, 2014 (EM) ..... 002514224-0003

(51) **LOC (10) Cl.** ..... **13-03**

(52) **U.S. Cl.**  
USPC ..... **D13/162**

(58) **Field of Classification Search**  
USPC ..... D13/110, 123, 158, 162, 162.1, 184;  
D14/301, 302; 361/728, 729, 736  
CPC .... G05B 19/00; G05B 19/04; G05B 19/0423;  
H05K 7/14; H05K 7/1428; H05K 7/1464;  
H05K 7/1465; H05K 7/1467; H05K  
7/1468; H05K 7/1469; H05K 7/1471;  
H05K 7/1474; H05K 7/1481  
See application file for complete search history.

(56) **References Cited**

**U.S. PATENT DOCUMENTS**

D307,263 S \* 4/1990 Ishida ..... D13/162.1  
D307,741 S \* 5/1990 Gilbert ..... D13/162  
D309,446 S \* 7/1990 Russell ..... D13/162.1  
D309,600 S \* 7/1990 Backes ..... D13/162.1

5,043,847 A \* 8/1991 Deinhardt ..... H05K 7/1469  
361/725  
D329,844 S \* 9/1992 Ishida ..... D13/162  
5,253,140 A \* 10/1993 Inoue ..... H05K 7/1468  
16/429  
5,323,296 A \* 6/1994 Gasser ..... H05K 7/1468  
361/736  
D366,244 S \* 1/1996 Kurokawa ..... D13/162  
D394,642 S \* 5/1998 Bender ..... D13/162  
5,791,916 A \* 8/1998 Schirbl ..... H05K 7/1469  
361/736

(Continued)

*Primary Examiner* — Selina Sikder

(74) *Attorney, Agent, or Firm* — Dorsey & Whitney LLP

(57) **CLAIM**

The ornamental design for a housing for electronic circuitry, as shown and described.

**DESCRIPTION**

FIG. 1 is an isometric view of a housing for electronic circuitry, presenting the top, front and left side.

FIG. 2 is an alternate isometric view of the housing for electronic circuitry as shown in FIG. 1, presenting the top, back and right side.

FIG. 3 is a top view of the housing for electronic circuitry as shown in FIG. 1.

FIG. 4 is a bottom view of the housing for electronic circuitry as shown in FIG. 1.

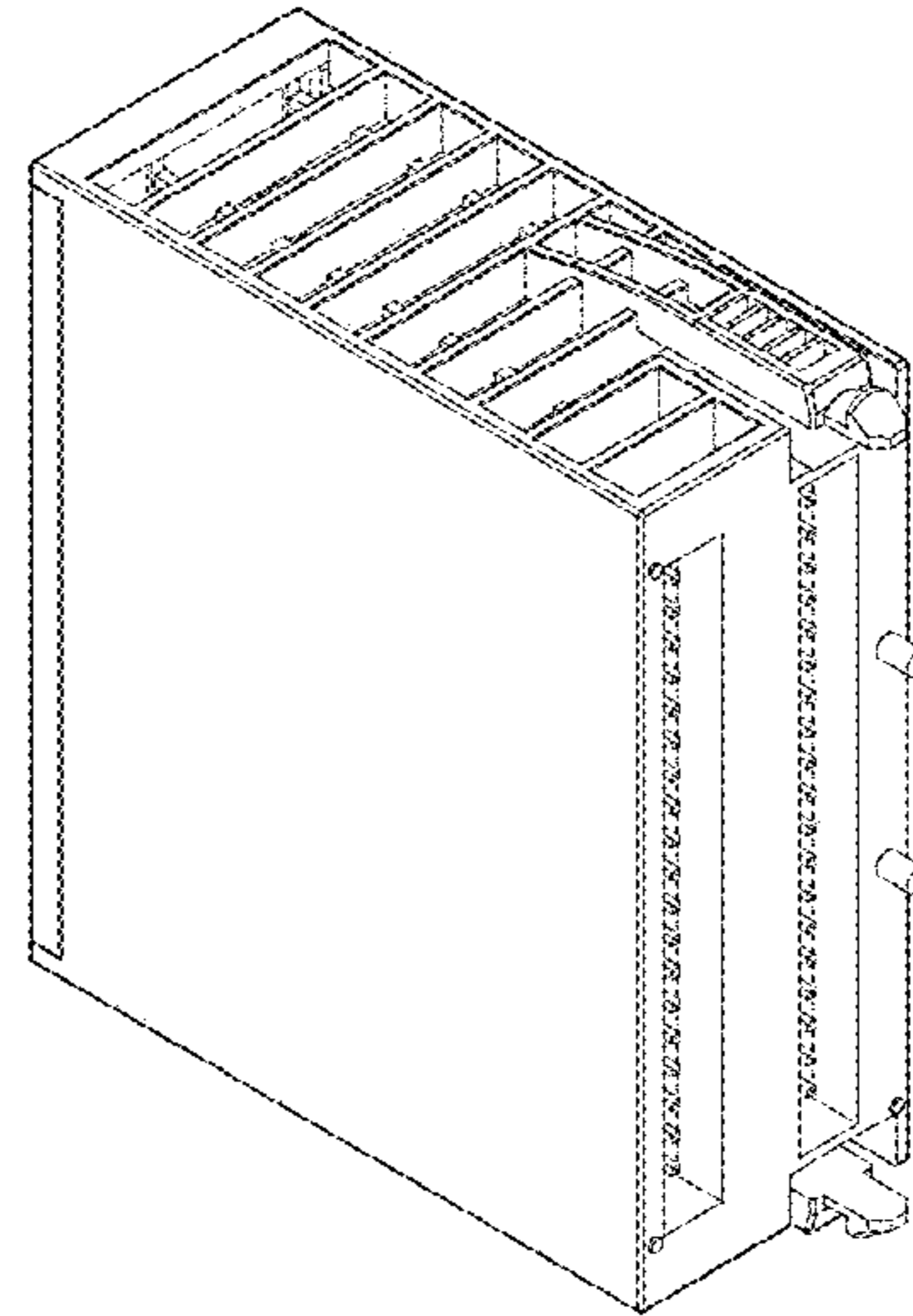
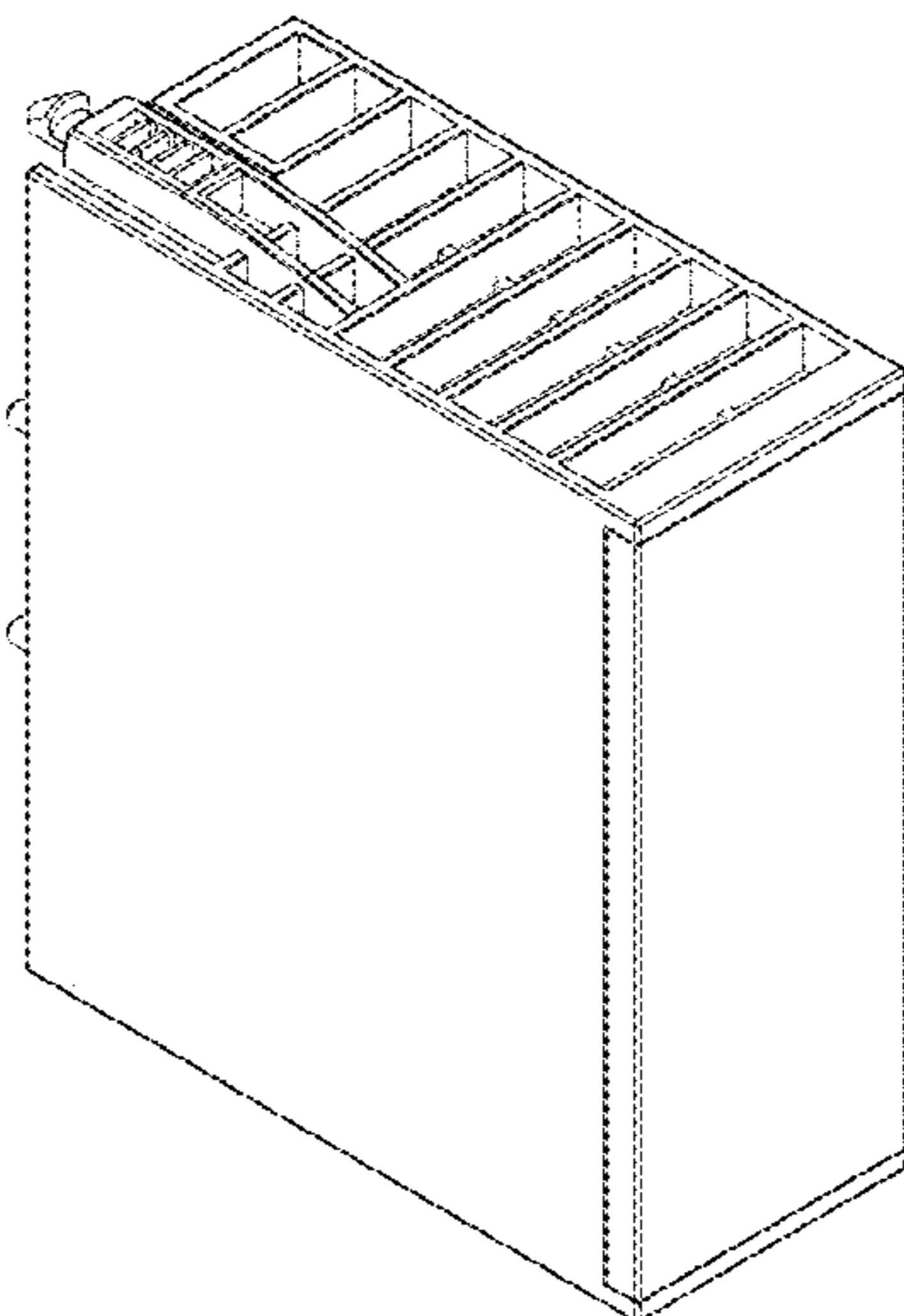
FIG. 5 is a back view of the housing for electronic circuitry as shown in FIG. 1.

FIG. 6 is a left side view of the housing for electronic circuitry as shown in FIG. 1; and,

FIG. 7 is a detail view of the housing for electronic circuitry, presenting portions of the back and right side as shown in FIG. 2.

The broken lines in the drawings show environmental structure and form no part of the claimed design.

**1 Claim, 7 Drawing Sheets**



(56)

References Cited

U.S. PATENT DOCUMENTS

D402,965 S \* 12/1998 Bender ..... D13/162  
 6,008,985 A \* 12/1999 Lake ..... G05B 19/0423  
 361/679.32  
 6,104,616 A 8/2000 Benson et al.  
 6,172,875 B1 \* 1/2001 Suzuki ..... G06F 1/183  
 361/679.4  
 6,431,909 B1 \* 8/2002 Nolden ..... H01R 9/2608  
 361/735  
 6,456,495 B1 \* 9/2002 Wieloch ..... H05K 7/1468  
 312/215  
 6,519,159 B1 \* 2/2003 Weinmeier ..... H05K 7/209  
 361/688  
 D494,142 S \* 8/2004 Schon ..... D13/162  
 D511,137 S \* 11/2005 Tuomola ..... D13/110  
 7,027,296 B2 \* 4/2006 Bock ..... H05K 7/1481  
 361/622  
 D563,902 S \* 3/2008 Radau ..... D13/162  
 D692,397 S \* 10/2013 Liu ..... D13/162.1  
 D693,776 S \* 11/2013 Skowranek ..... D13/162  
 8,758,061 B2 \* 6/2014 Mische ..... H05K 1/0263  
 439/620.26  
 D721,706 S \* 1/2015 Rooyakkers ..... D13/110  
 9,055,688 B2 6/2015 Molnar et al.  
 D735,667 S \* 8/2015 Mielnik ..... D13/123  
 D743,350 S \* 11/2015 Ringer ..... D13/162  
 2014/0118958 A1 \* 5/2014 Hamada ..... H05K 7/1474  
 361/728  
 2015/0181758 A1 \* 6/2015 Kang ..... H05K 7/20127  
 361/690  
 2015/0223362 A1 \* 8/2015 Izumi ..... H05K 7/12  
 361/709

\* cited by examiner

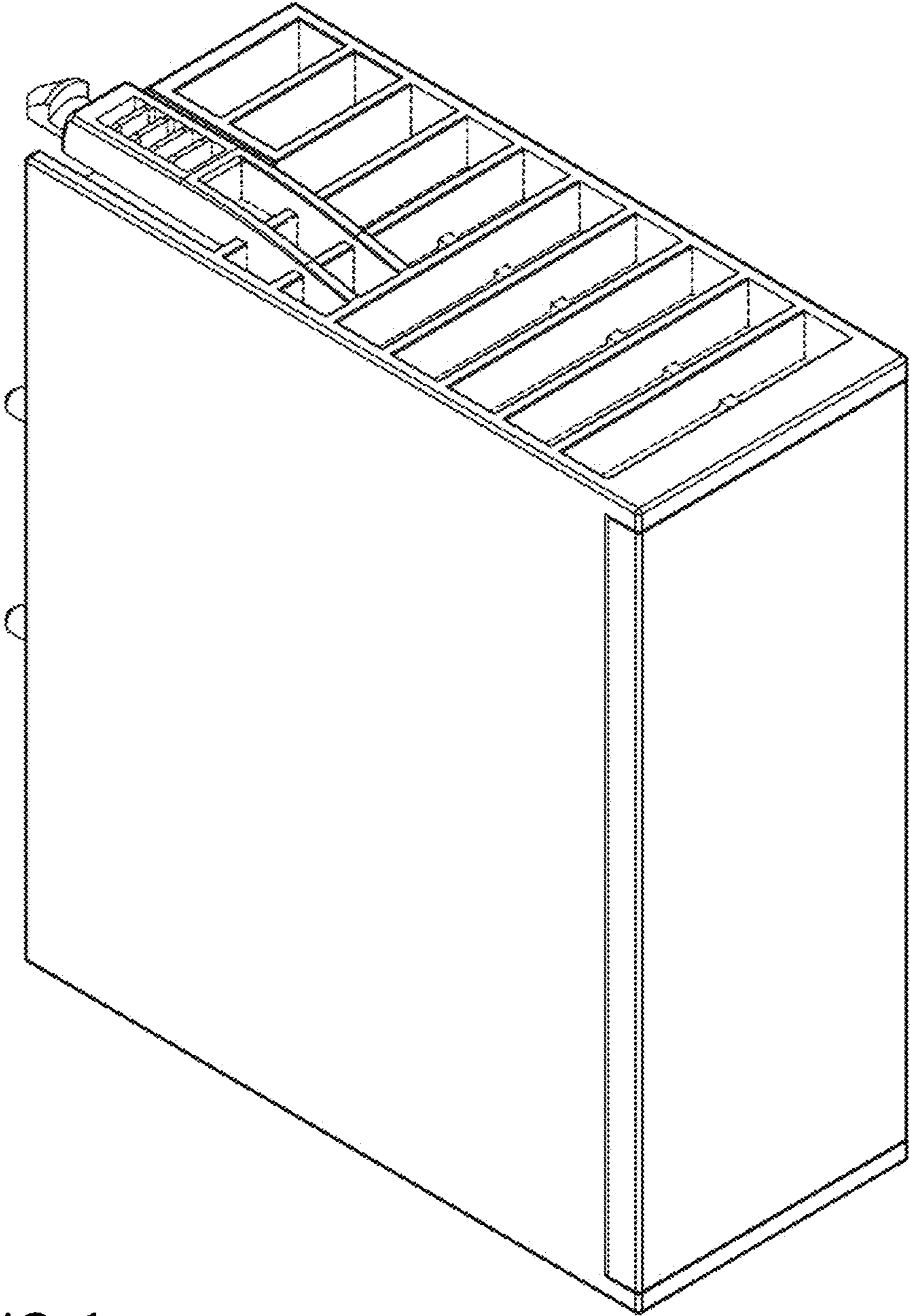


FIG. 1



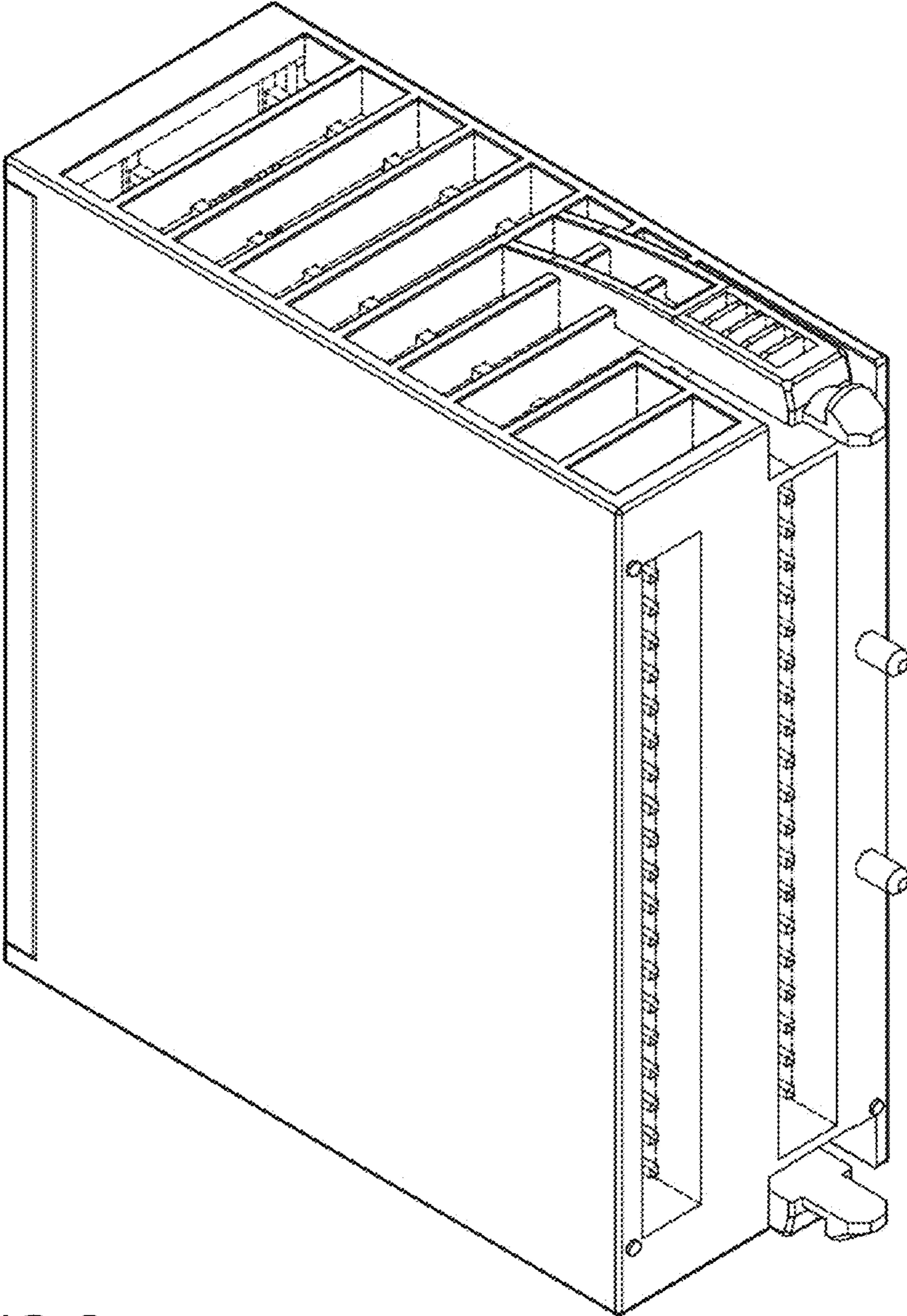


FIG. 2

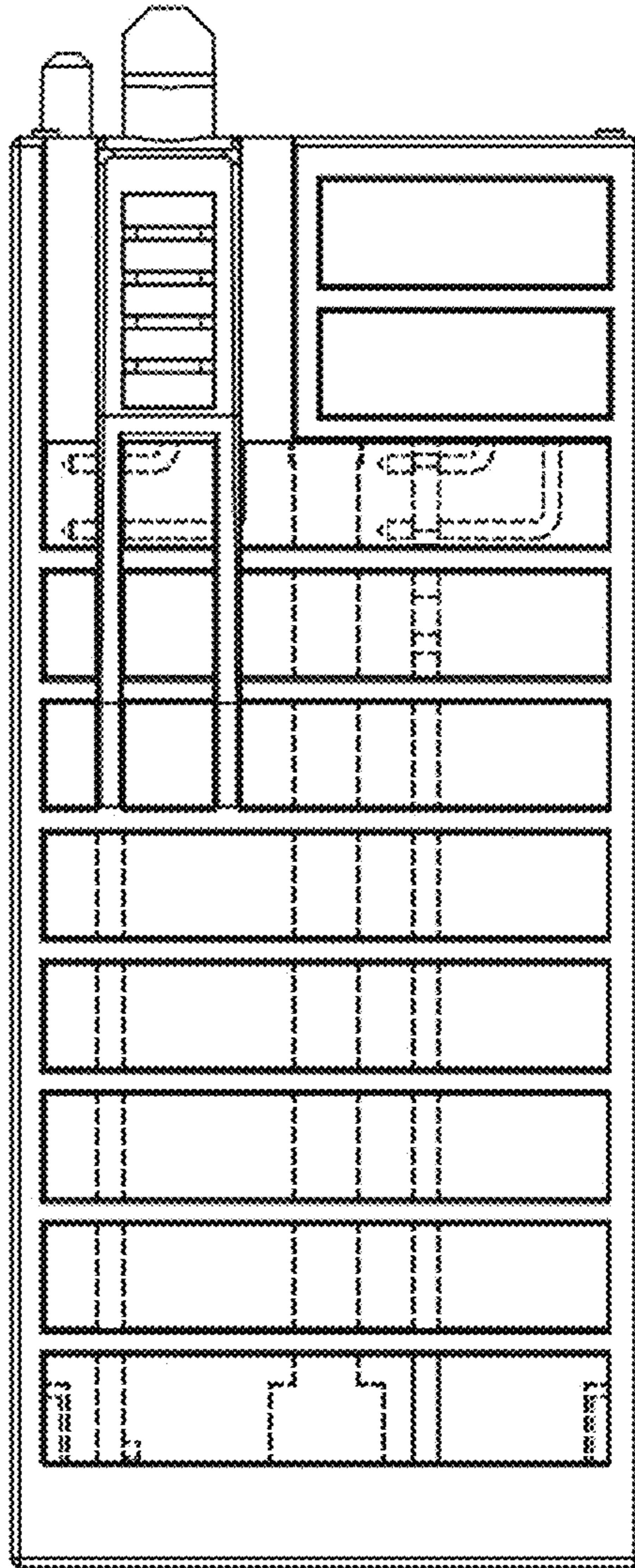


FIG. 3

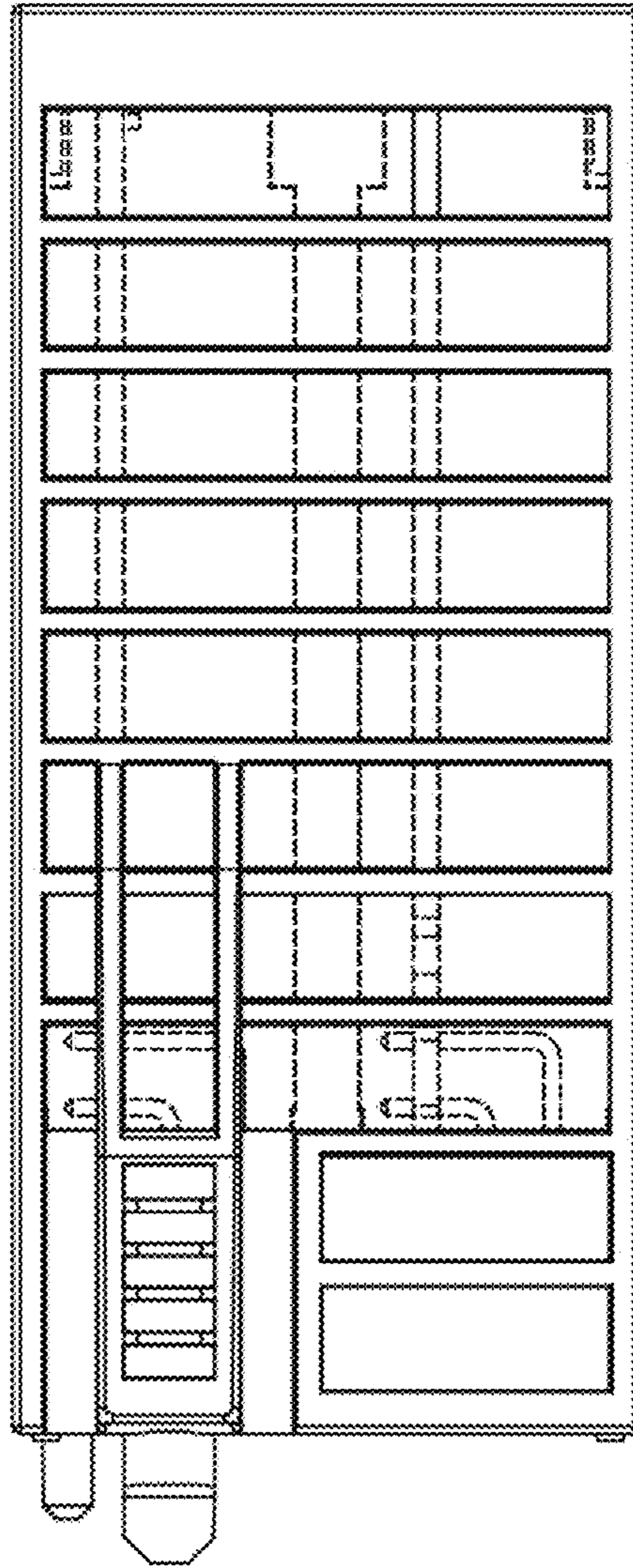


FIG. 4

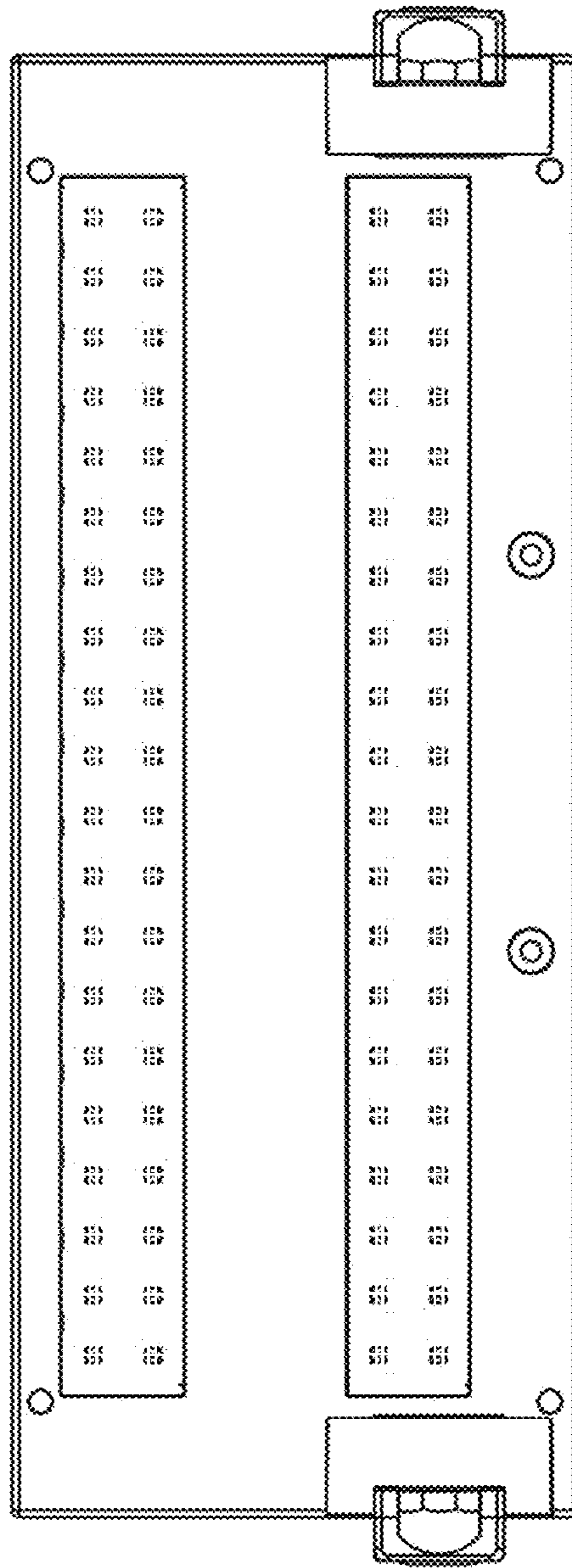


FIG. 5



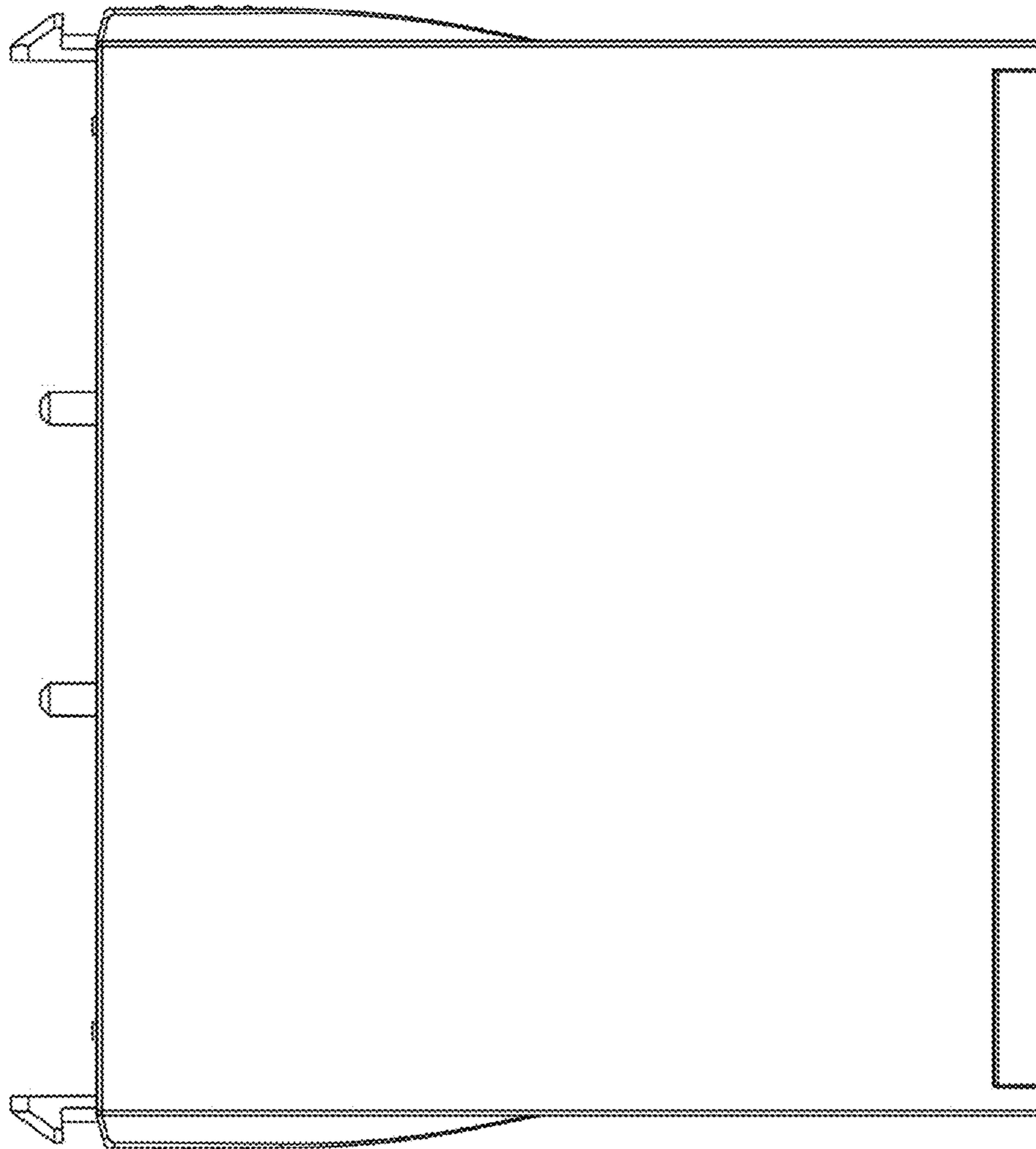


FIG. 6



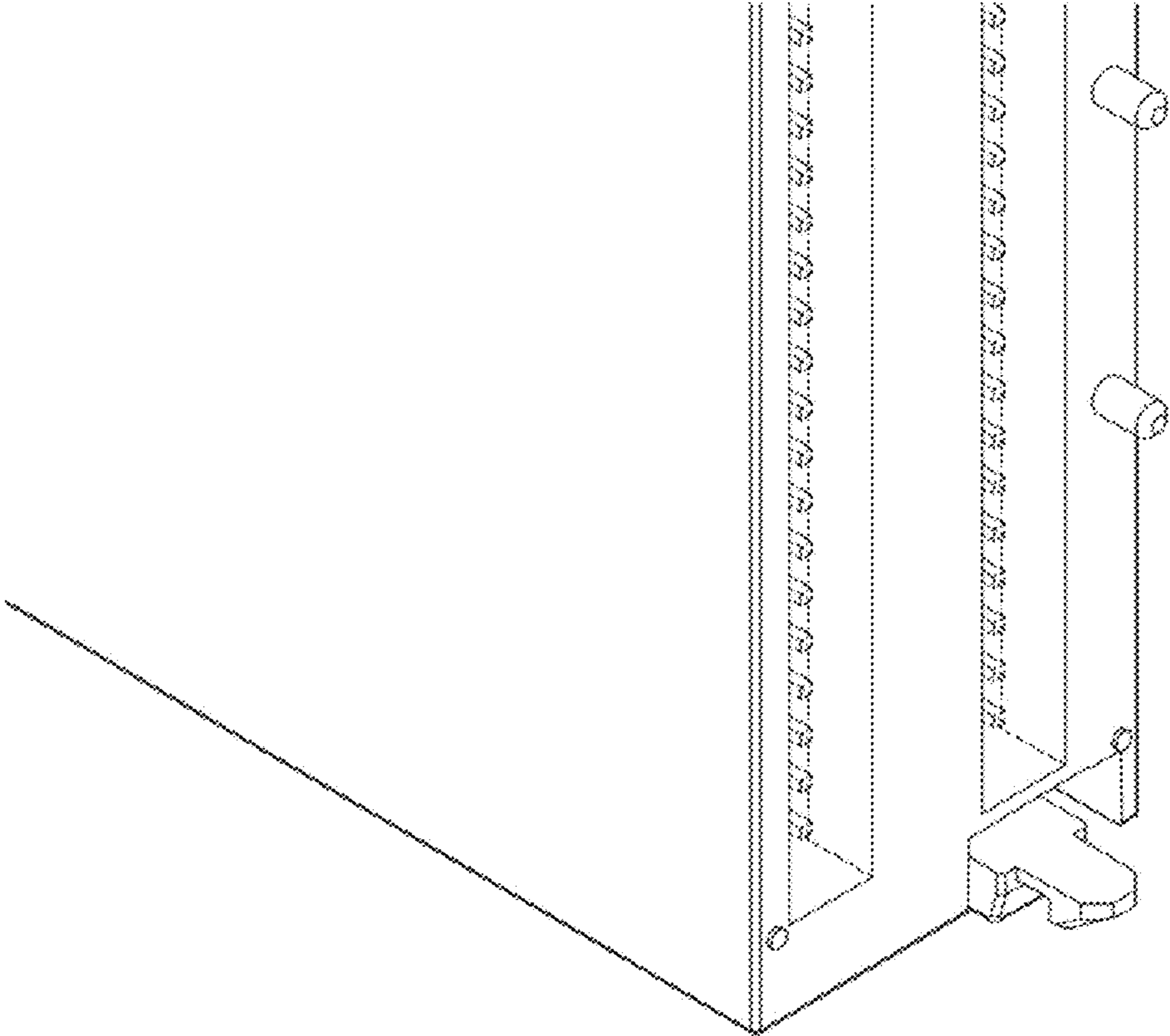


FIG. 7