



US00D780126S

(12) **United States Design Patent**  
**Kobayashi et al.**

(10) **Patent No.:** **US D780,126 S**

(45) **Date of Patent:** **\*\* Feb. 28, 2017**

(54) **JACK FOR AN ELECTRICAL CONNECTOR**

(71) Applicant: **SMK Corporation**, Tokyo (JP)

(72) Inventors: **Tsukasa Kobayashi**, Ibaraki (JP);  
**Hiroshi Suzuki**, Ibaraki (JP)

(73) Assignee: **SMK Corporation**, Tokyo (JP)

(\*\*) Term: **15 Years**

(21) Appl. No.: **29/542,052**

(22) Filed: **Oct. 9, 2015**

(30) **Foreign Application Priority Data**

May 1, 2015 (JP) ..... 2015-009857

(51) **LOC (10) Cl.** ..... **13-03**

(52) **U.S. Cl.**  
USPC ..... **D13/147**

(58) **Field of Classification Search**  
USPC ..... D13/133, 146, 147, 154, 184, 199  
CPC ..... H01R 24/04; H01R 24/28; H01R 24/38;  
H01R 24/58  
See application file for complete search history.

(56) **References Cited**

**U.S. PATENT DOCUMENTS**

D534,123 S \* 12/2006 Lin ..... D13/133  
D617,271 S \* 6/2010 Chiang ..... D13/133

D662,476 S \* 6/2012 Liu ..... D13/146  
D663,694 S \* 7/2012 Fu ..... D13/147  
8,616,922 B2 \* 12/2013 Liu ..... H01R 12/57  
439/669  
2009/0149081 A1 \* 6/2009 Zhu ..... H01R 12/57  
439/668

\* cited by examiner

*Primary Examiner* — Daniel Bui

(74) *Attorney, Agent, or Firm* — Mark Malek; Widerman Malek, PL

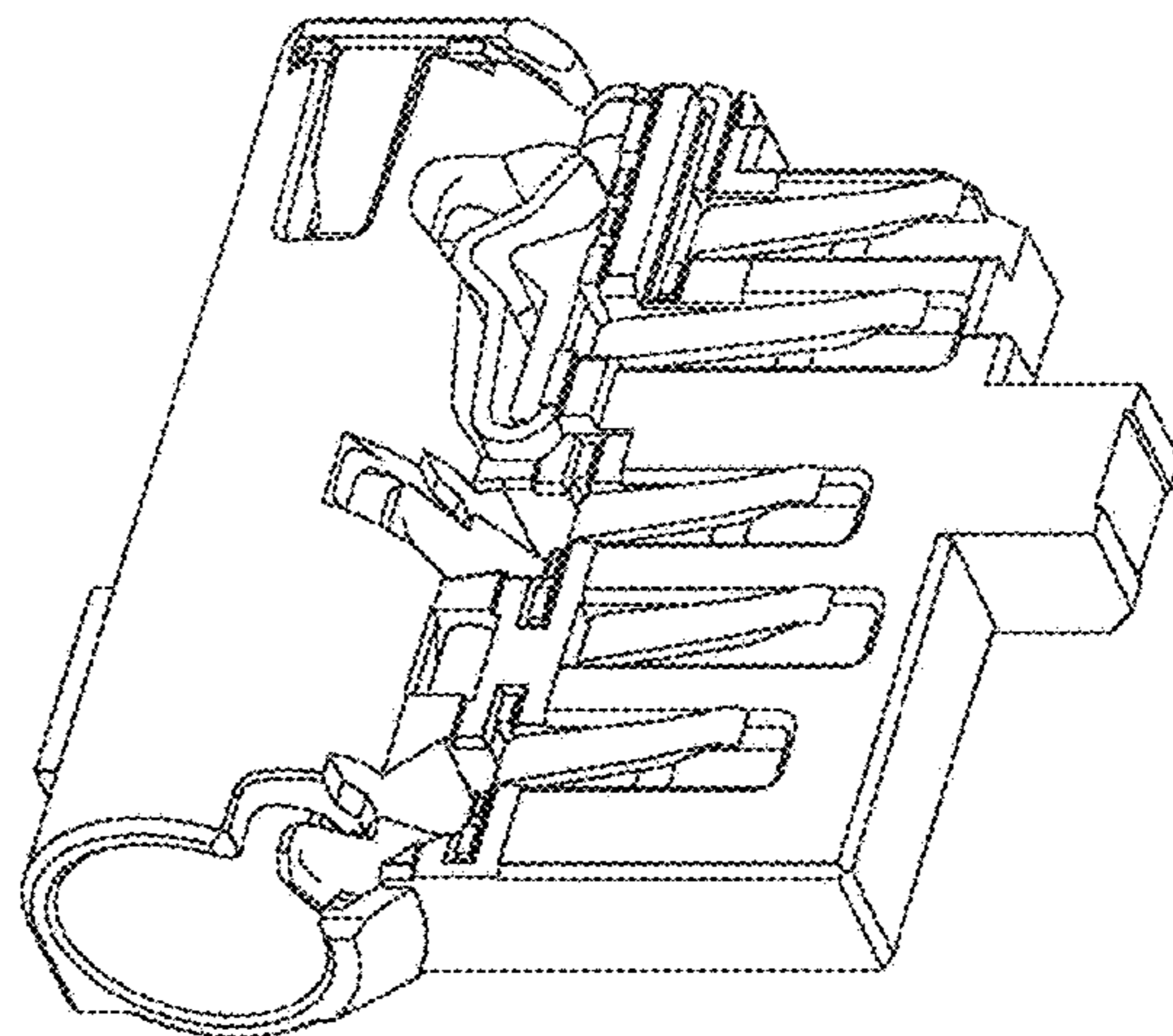
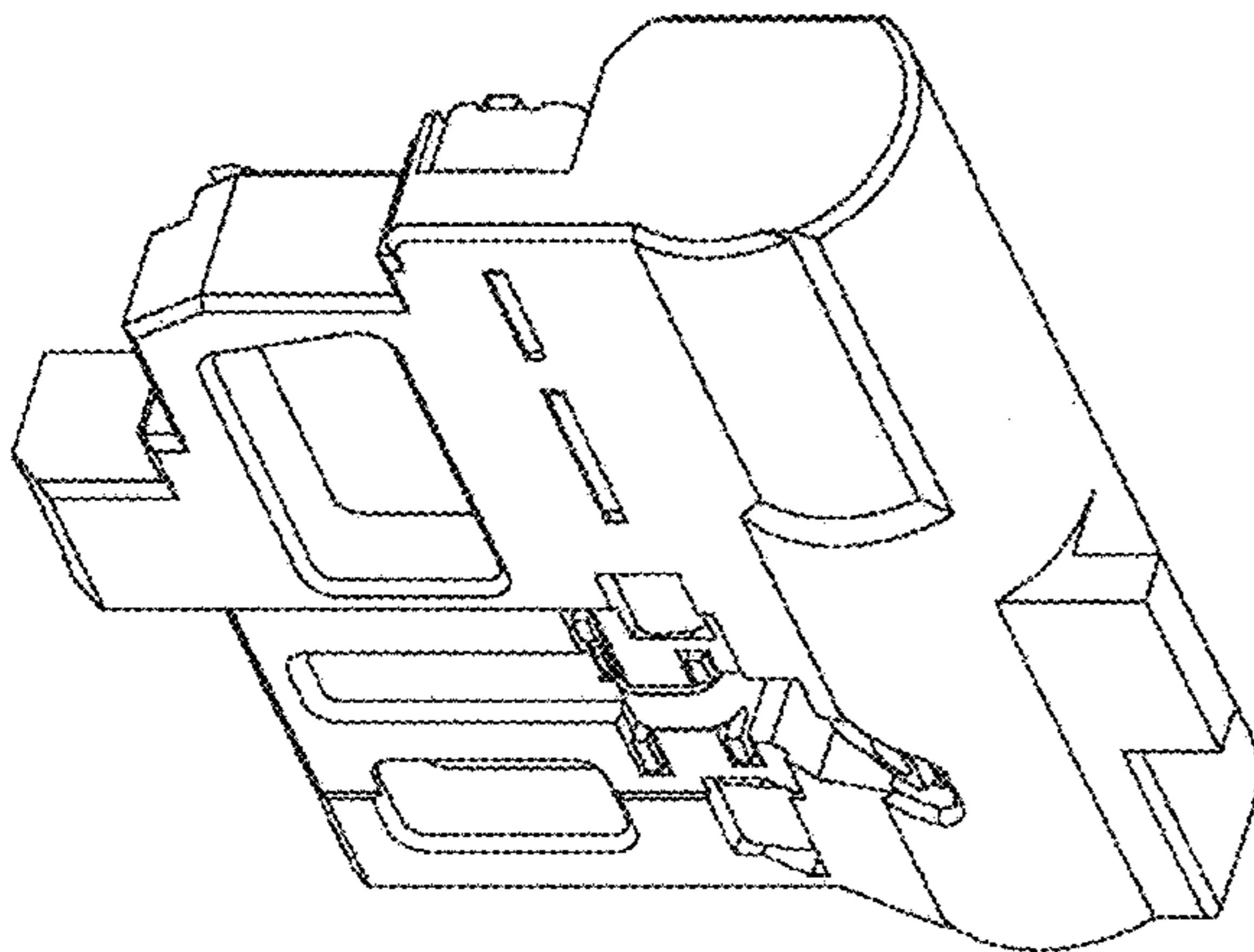
(57) **CLAIM**

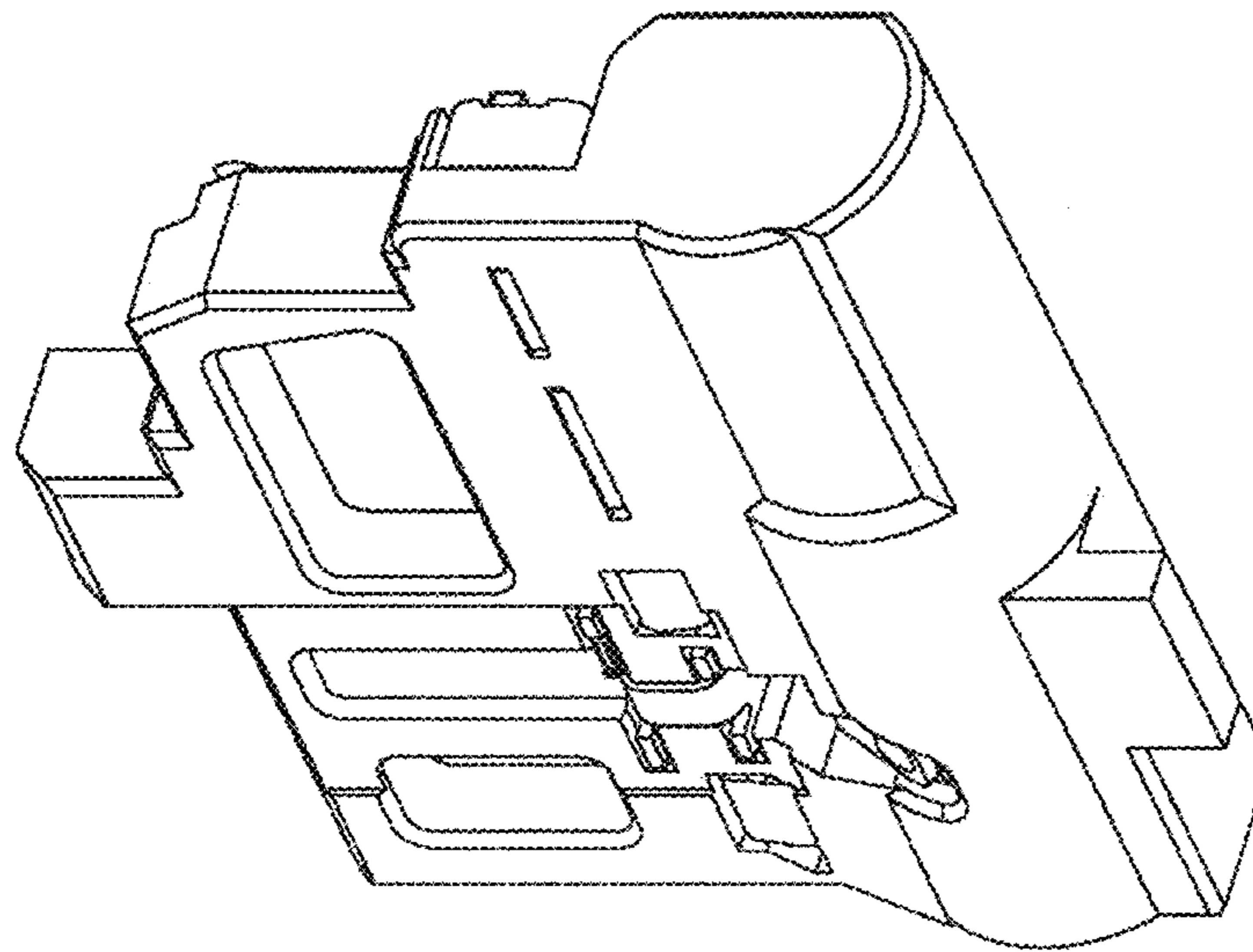
The ornamental design for a jack for an electrical connector, as shown and described.

**DESCRIPTION**

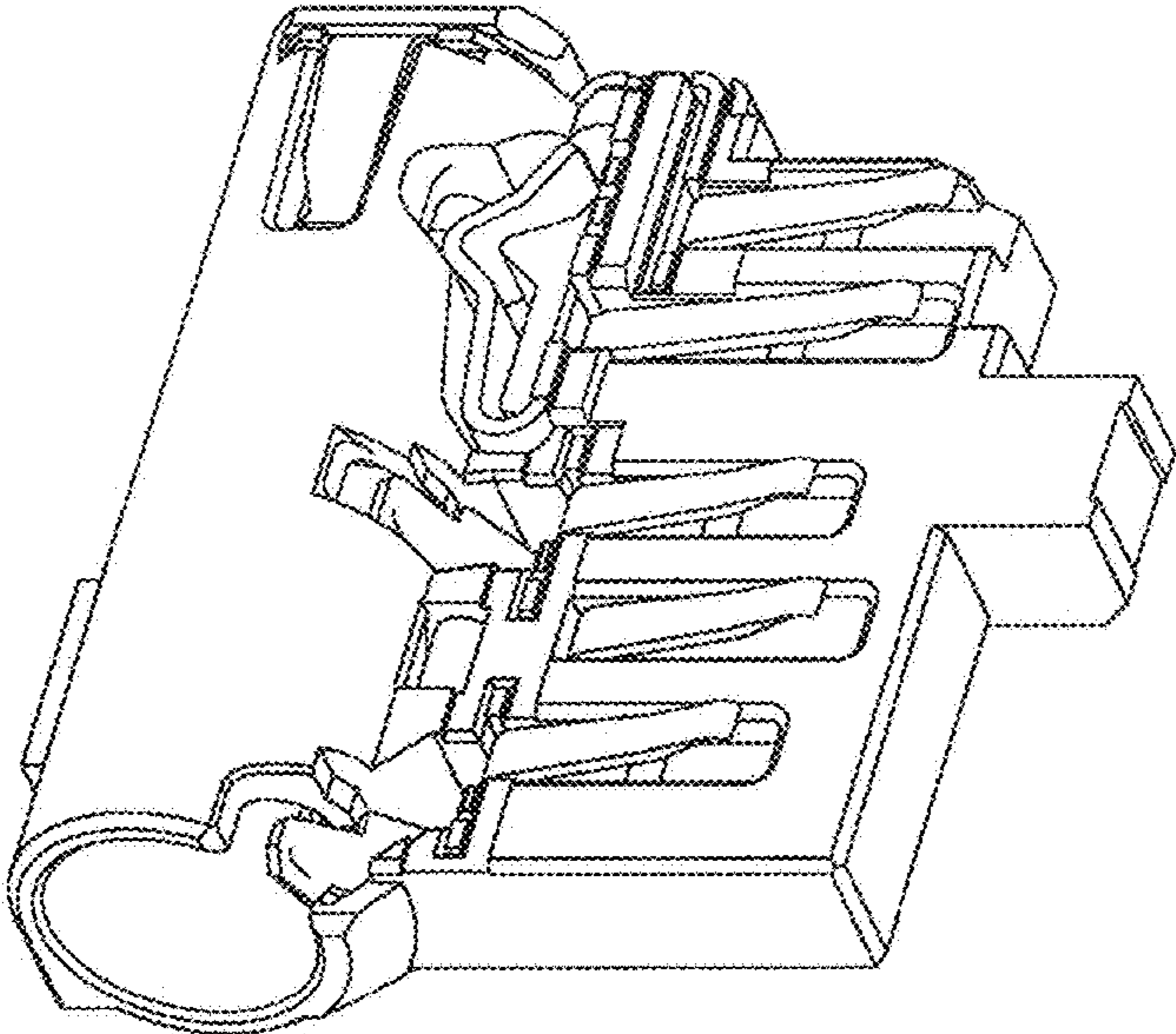
FIG. 1 is a bottom, rear and left side perspective view of a jack for an electrical connector showing our new design; FIG. 2 is a top, front and right side perspective view thereof; FIG. 3 is a front elevation view thereof; FIG. 4 is a top plan view thereof; FIG. 5 is a right side elevation view thereof; FIG. 6 is a left side elevation view thereof; FIG. 7 is a rear elevation view thereof; FIG. 8 is a bottom plan view thereof; FIG. 9 is a cross sectional view thereof, taken along line "9-9" in FIG. 3; and, FIG. 10 is a cross sectional view thereof, taken along line "10-10" in FIG. 3.

**1 Claim, 10 Drawing Sheets**

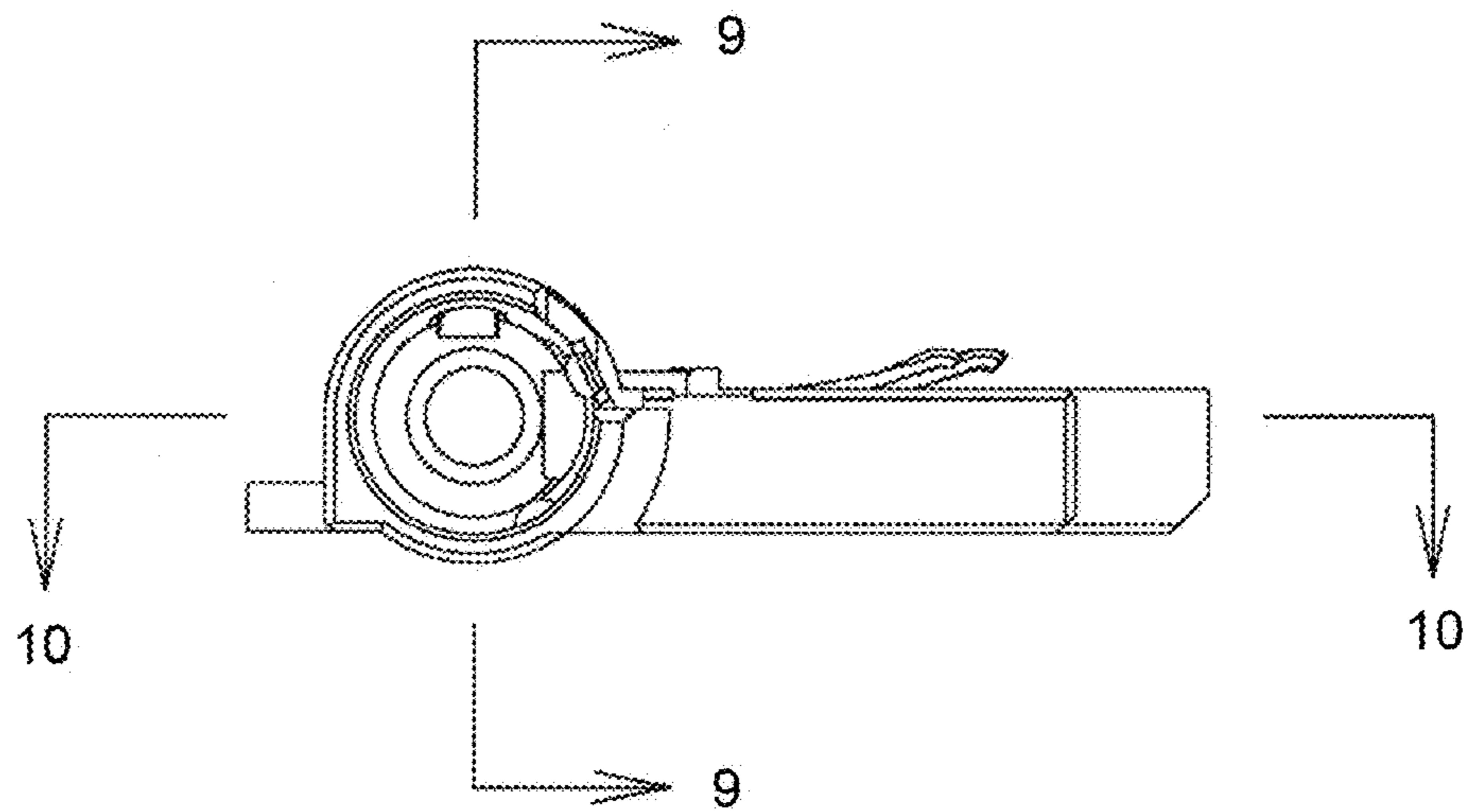




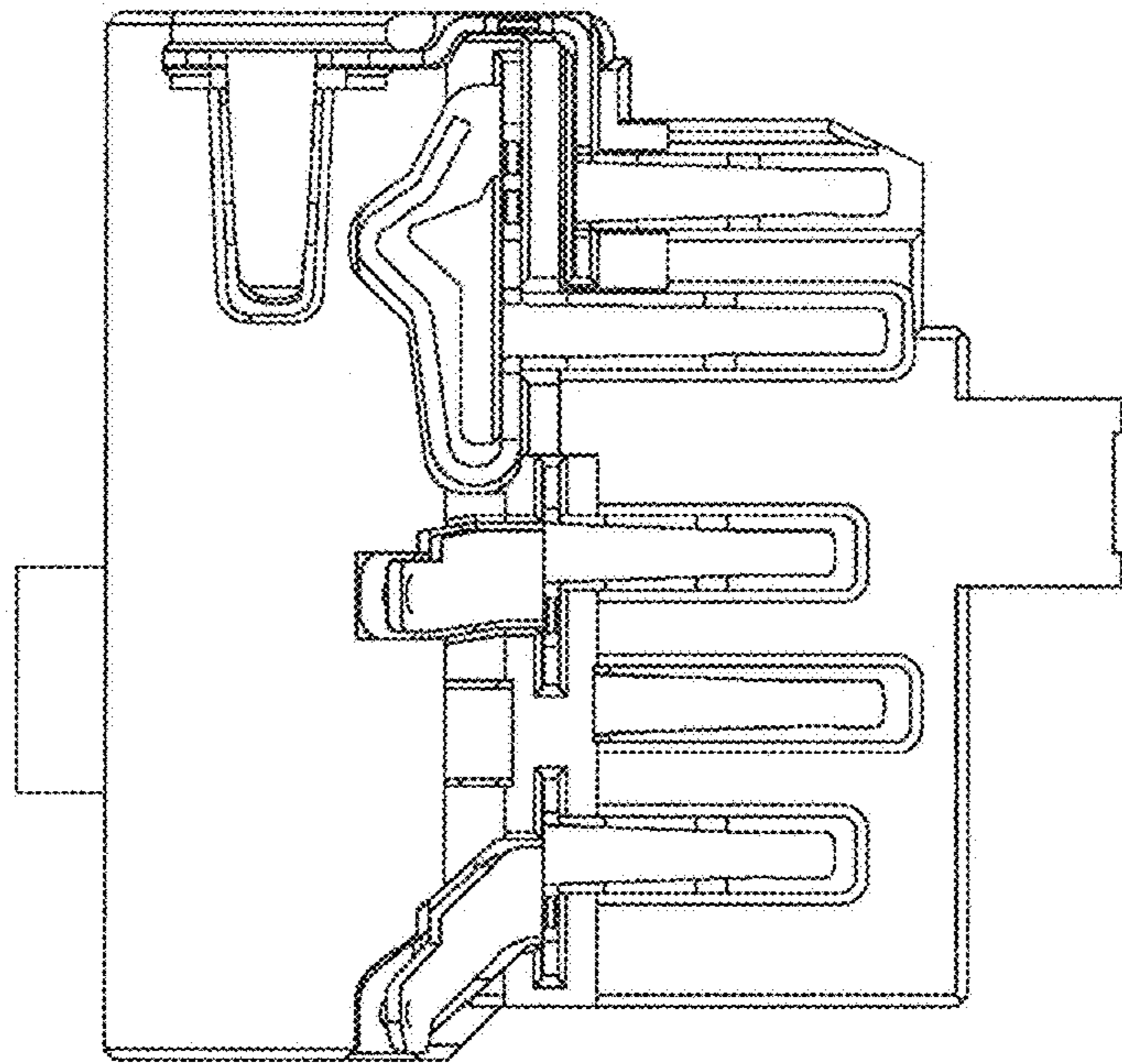
**FIG. 1**



**FIG. 2**

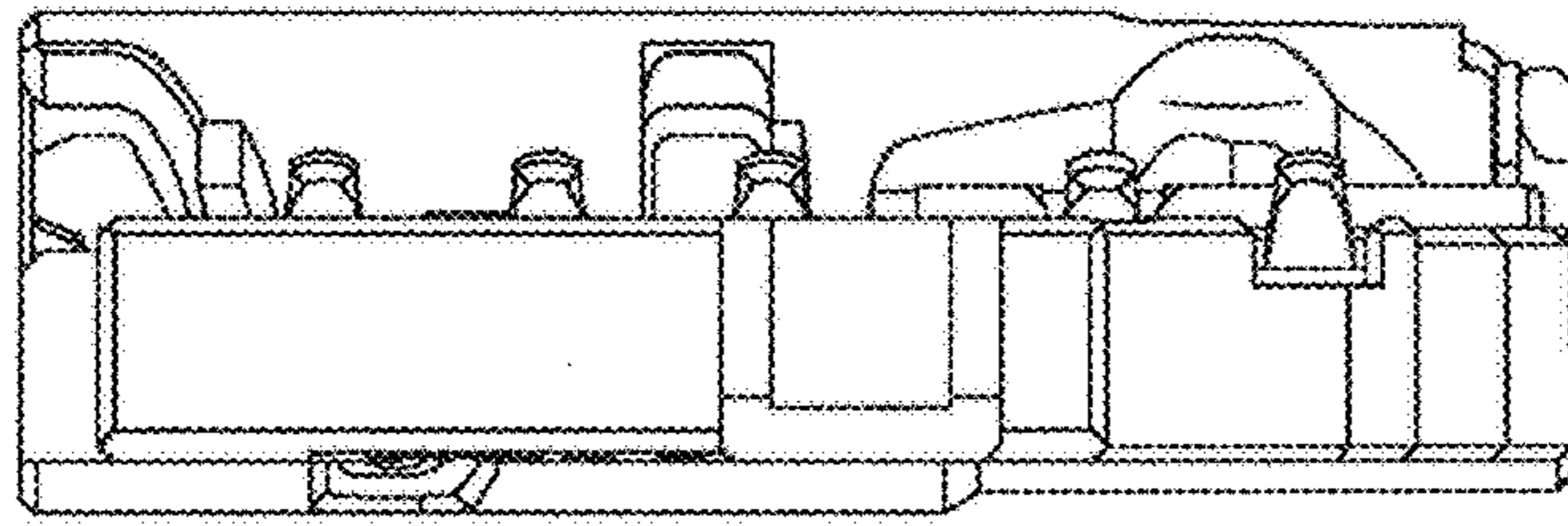


**FIG. 3**

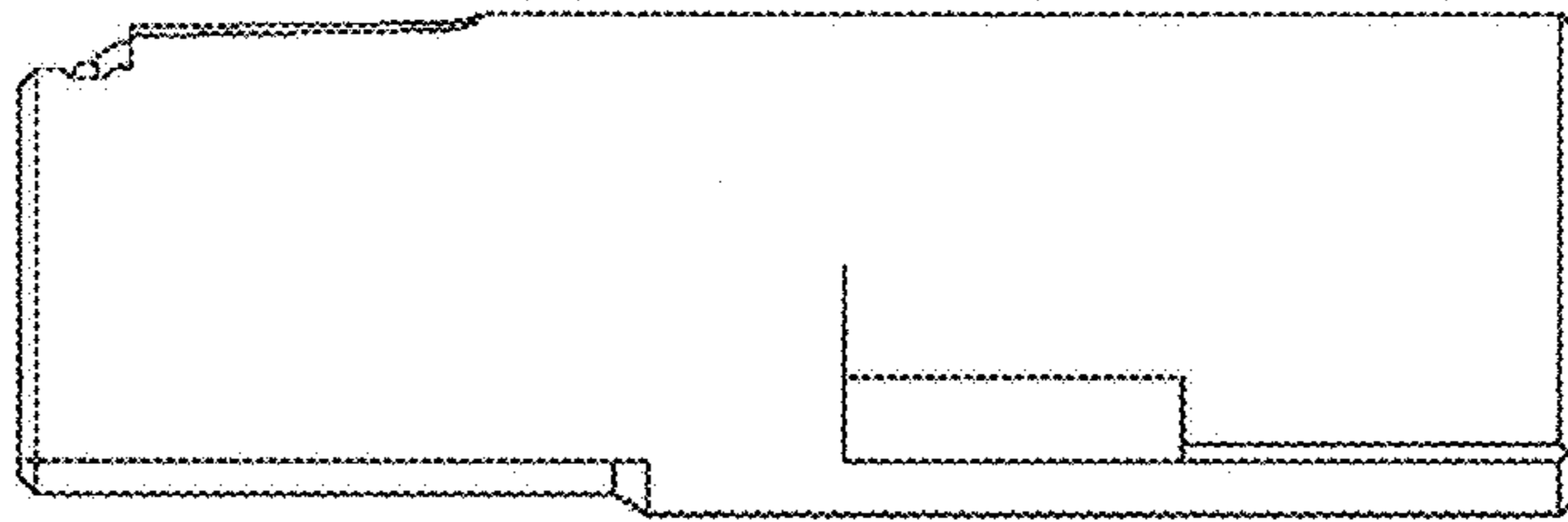


**FIG. 4**

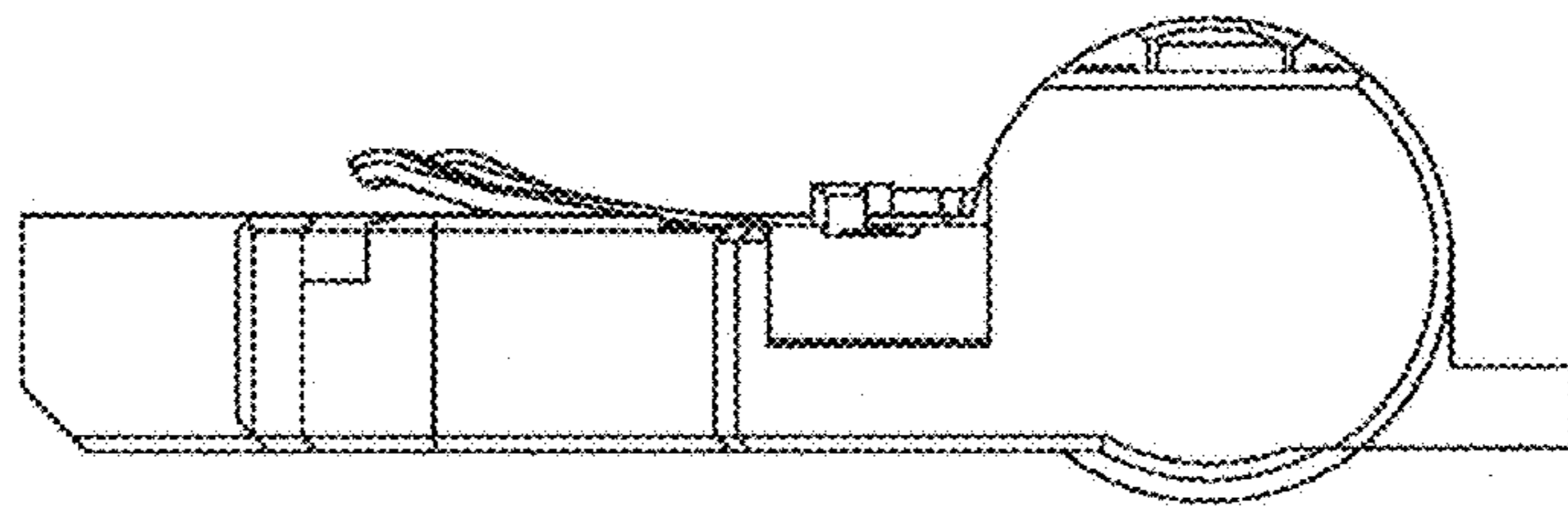




**FIG. 5**

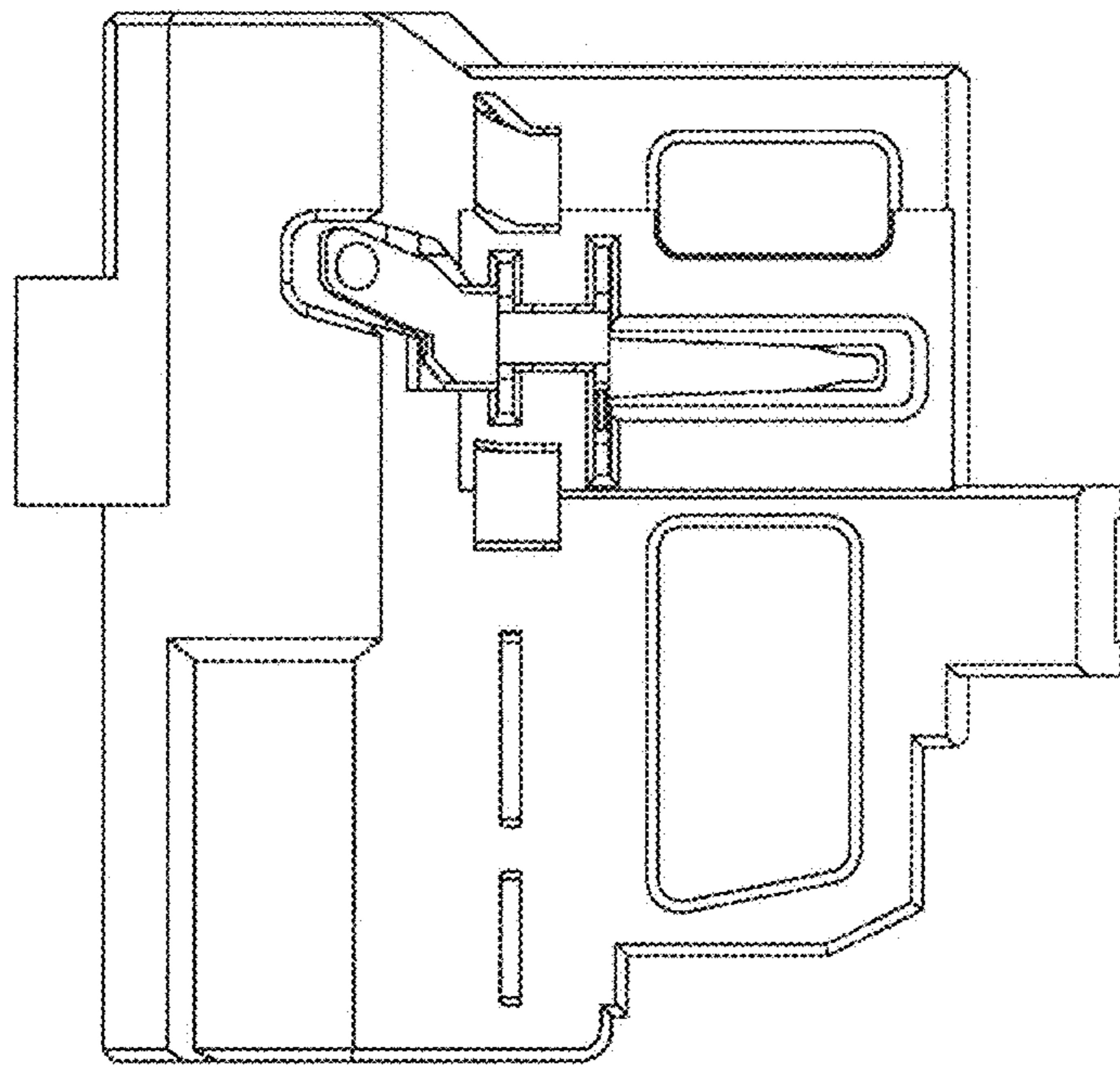


**FIG. 6**

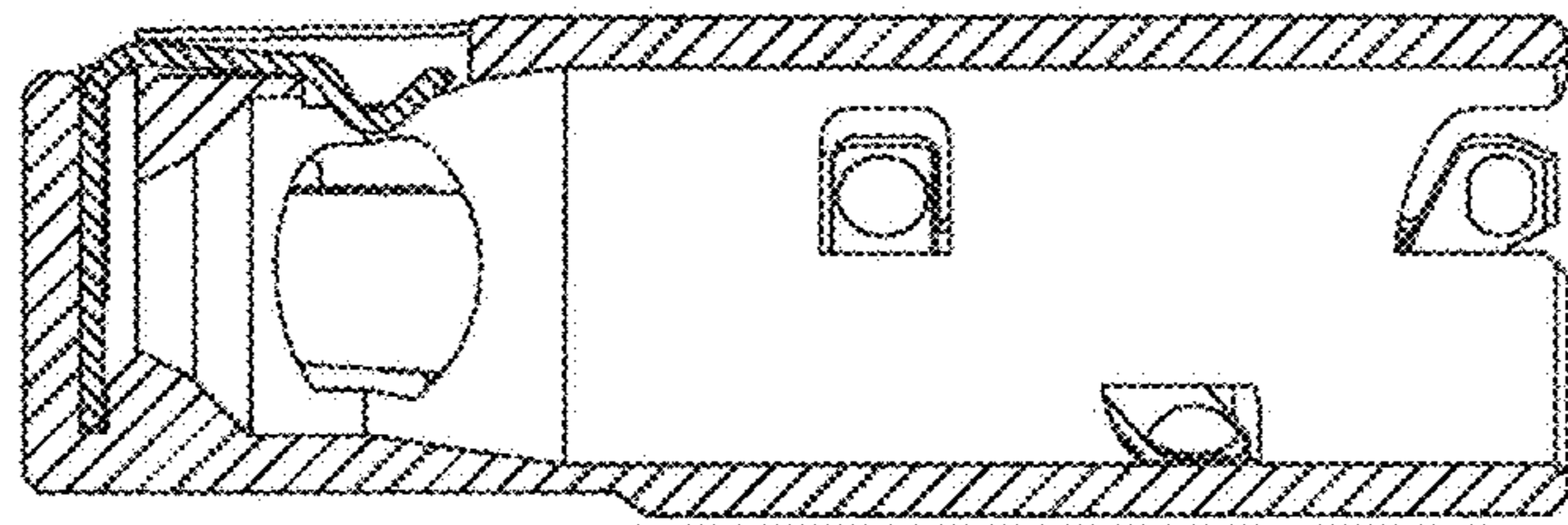


**FIG. 7**

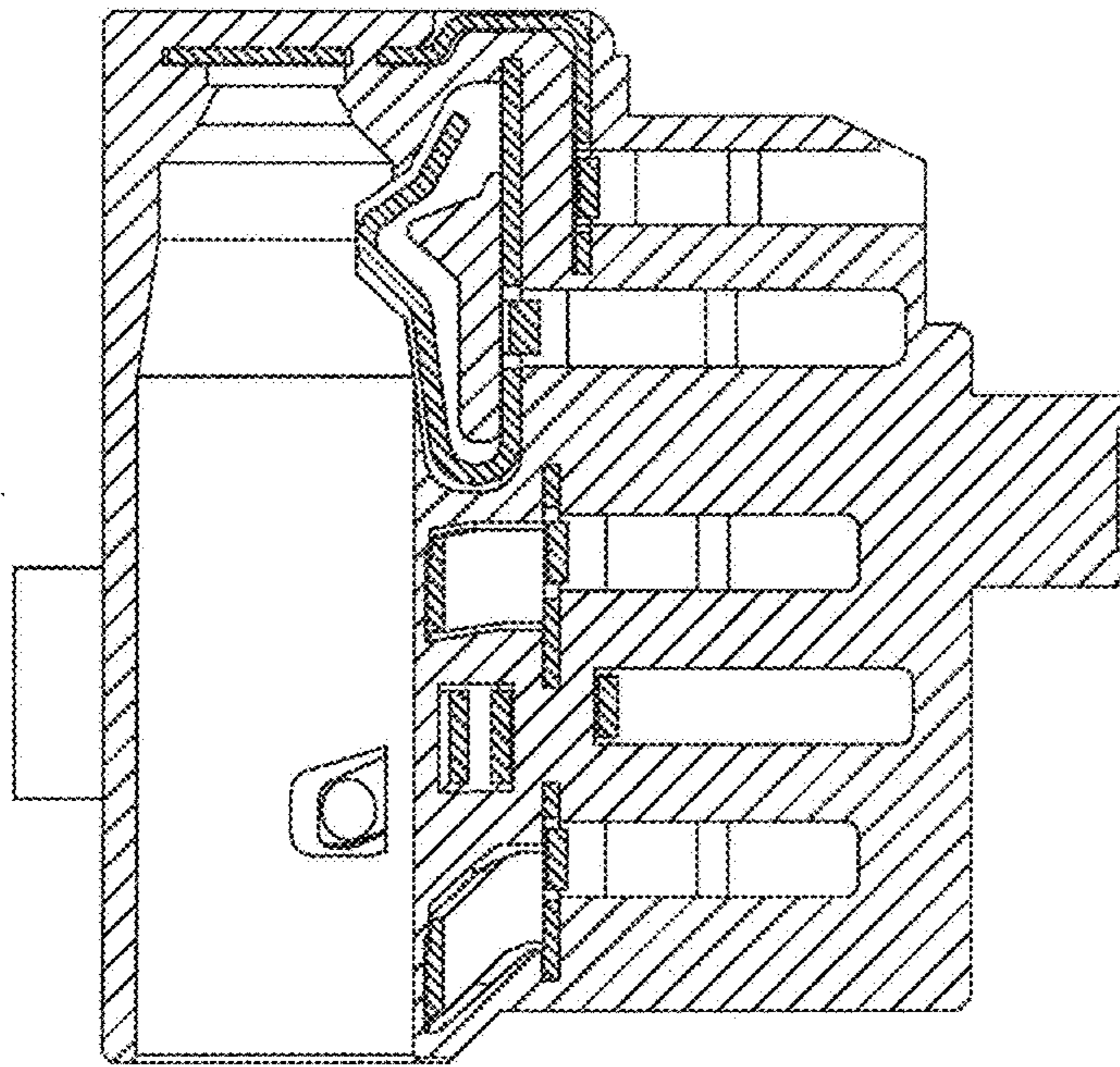




**FIG. 8**



**FIG. 9**



**FIG. 10**