



US00D780124S

(12) **United States Design Patent**
Qian et al.

(10) **Patent No.:** **US D780,124 S**

(45) **Date of Patent:** **** Feb. 28, 2017**

(54) **ELECTRICAL CONNECTOR**

(71) Applicant: **HON HAI PRECISION INDUSTRY CO., LTD.**, New Taipei (TW)

(72) Inventors: **Qiu Qian**, Kunshan (CN); **Jian-Kuang Zhu**, Kunshan (CN); **Huo-Xing Jin**, Kunshan (CN); **Chun-Sheng Li**, Kunshan (CN)

(73) Assignee: **FOXCONN INTERCONNECT TECHNOLOGY LIMITED**, Grand Cayman (KY)

(**) Term: **14 Years**

(21) Appl. No.: **29/497,156**

(22) Filed: **Jul. 21, 2014**

(30) **Foreign Application Priority Data**

Jan. 22, 2014 (CN) 2014 3 00170770

(51) **LOC (10) Cl.** **13-03**

(52) **U.S. Cl.**
USPC **D13/147**

(58) **Field of Classification Search**
USPC D13/133, 134, 146–148, 153, 154, 184, D13/199
CPC . H01R 13/405; H01R 13/432; H01R 13/6585; H01R 13/6595; H01R 24/66; H01R 24/76; H01R 43/16; H01R 2107/00
See application file for complete search history.

(56) **References Cited**

U.S. PATENT DOCUMENTS

D400,515 S * 11/1998 Shima D14/433
D442,955 S * 5/2001 Reynolds D14/356

D581,866 S * 12/2008 Choi D13/103
D705,720 S * 5/2014 Lee D13/103
D733,056 S * 6/2015 Yuan D13/147
D733,657 S * 7/2015 Yuan D13/147
9,331,434 B2 * 5/2016 Zhu H01R 13/6585
D764,415 S * 8/2016 Qian D13/147
D764,416 S * 8/2016 Zhong D13/147
9,413,119 B2 * 8/2016 Zhong H01R 24/60
2015/0214677 A1 * 7/2015 Huang H01R 13/7175
439/39
2016/0049752 A1 * 2/2016 Qian H01R 13/6585
439/607.05
2016/0079720 A1 * 3/2016 Zhong H01R 24/66
439/660

* cited by examiner

Primary Examiner — Garth Rademaker

Assistant Examiner — Richard Kearney

(74) *Attorney, Agent, or Firm* — Wei Te Chung; Ming Chieh Chang

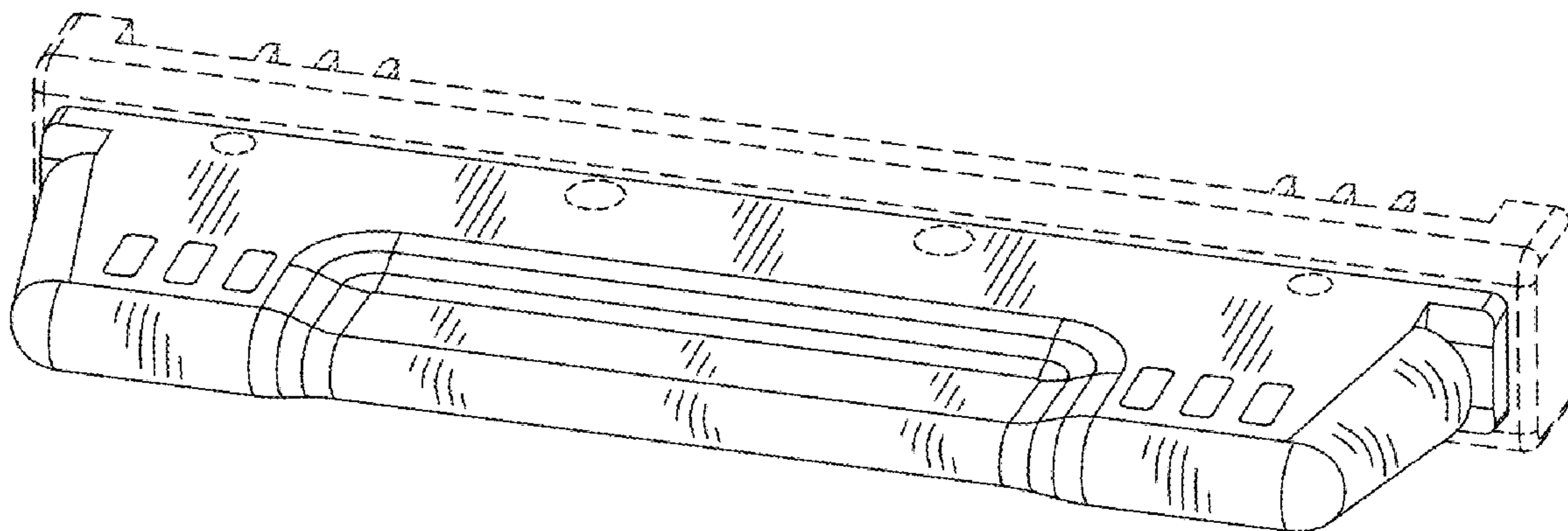
(57) **CLAIM**

The ornamental design for an electrical connector, as shown and described.

DESCRIPTION

FIG. 1 is a front, top and right side perspective view of an electrical connector showing our new design; FIG. 2 is a front elevational view thereof; FIG. 3 is a left side elevational view thereof; FIG. 4 is a right side elevational view thereof; FIG. 5 is a top plan view thereof; and, FIG. 6 is a bottom plan view thereof. The broken lines shown in the drawings immediately adjacent to the solid line portion of the electrical connector form the bounds of the claimed design, while all other broken lines show portions of the electrical connector. None of the broken lines form any part of the claimed design.

1 Claim, 6 Drawing Sheets



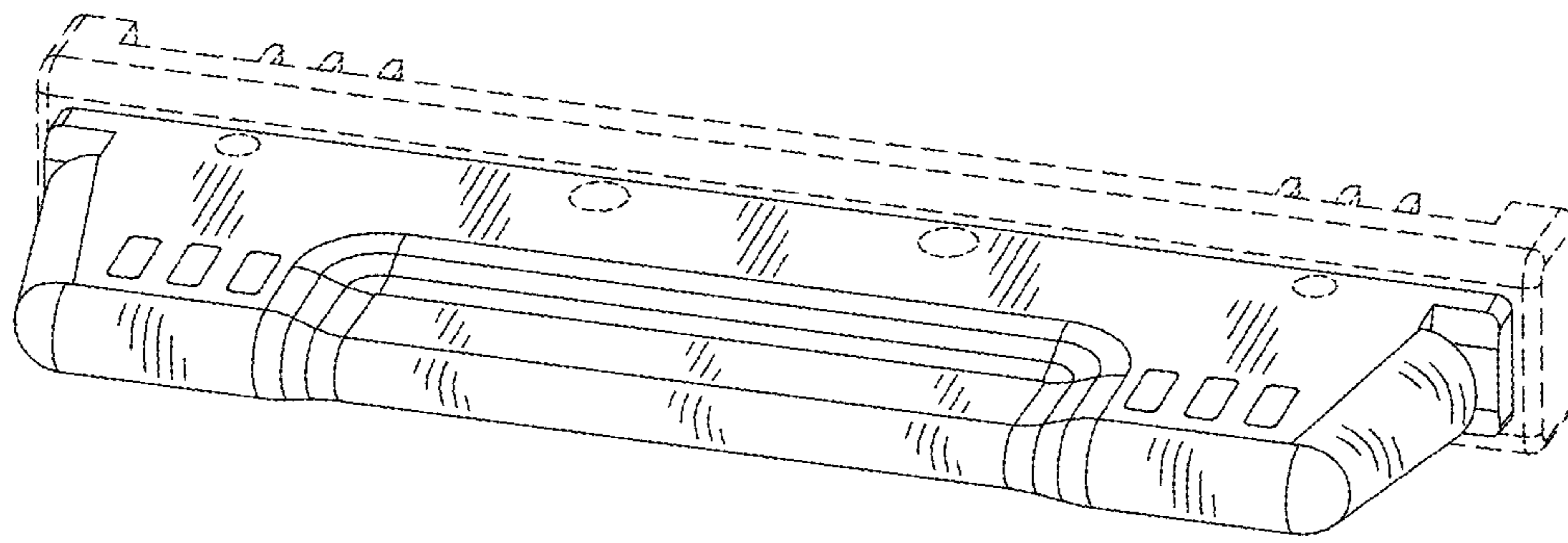


FIG. 1

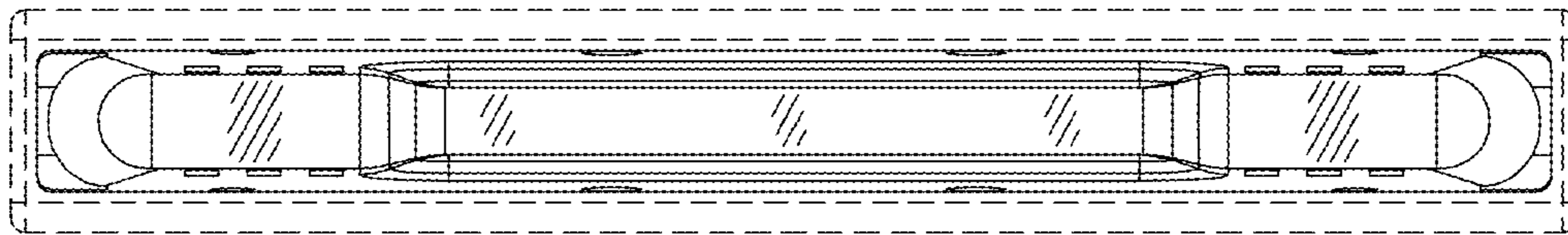


FIG. 2

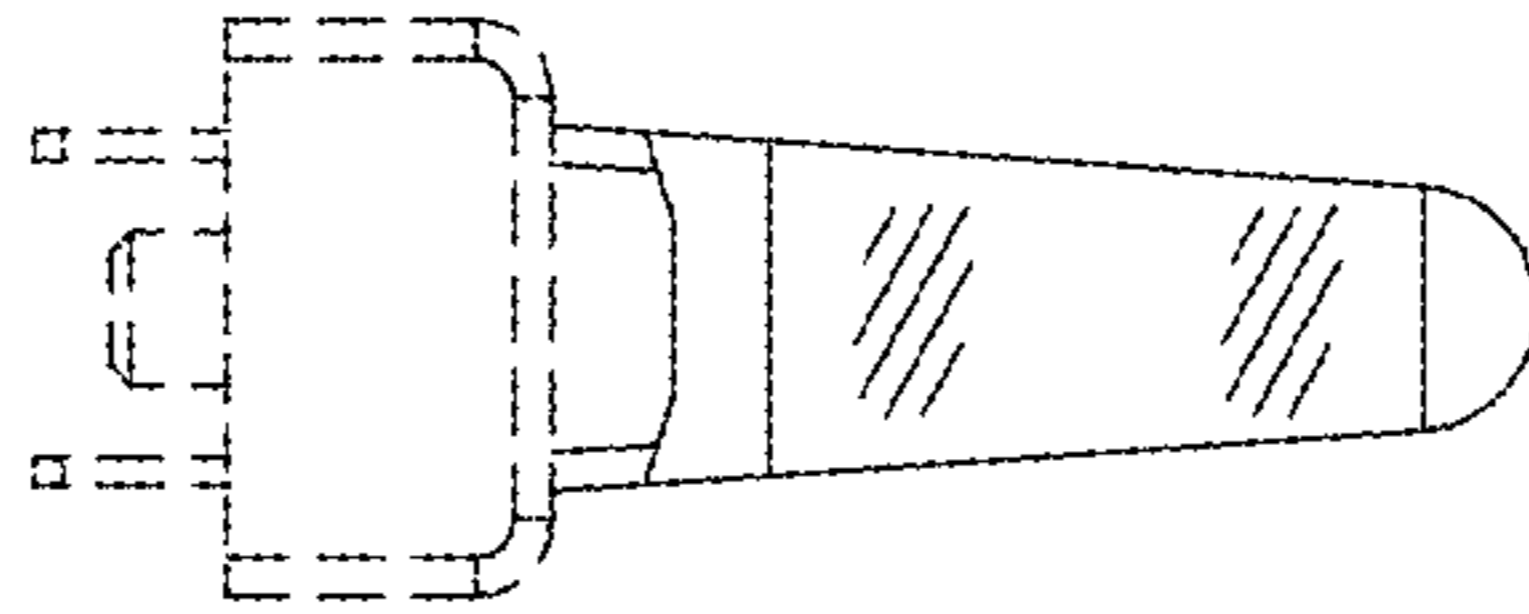


FIG. 3

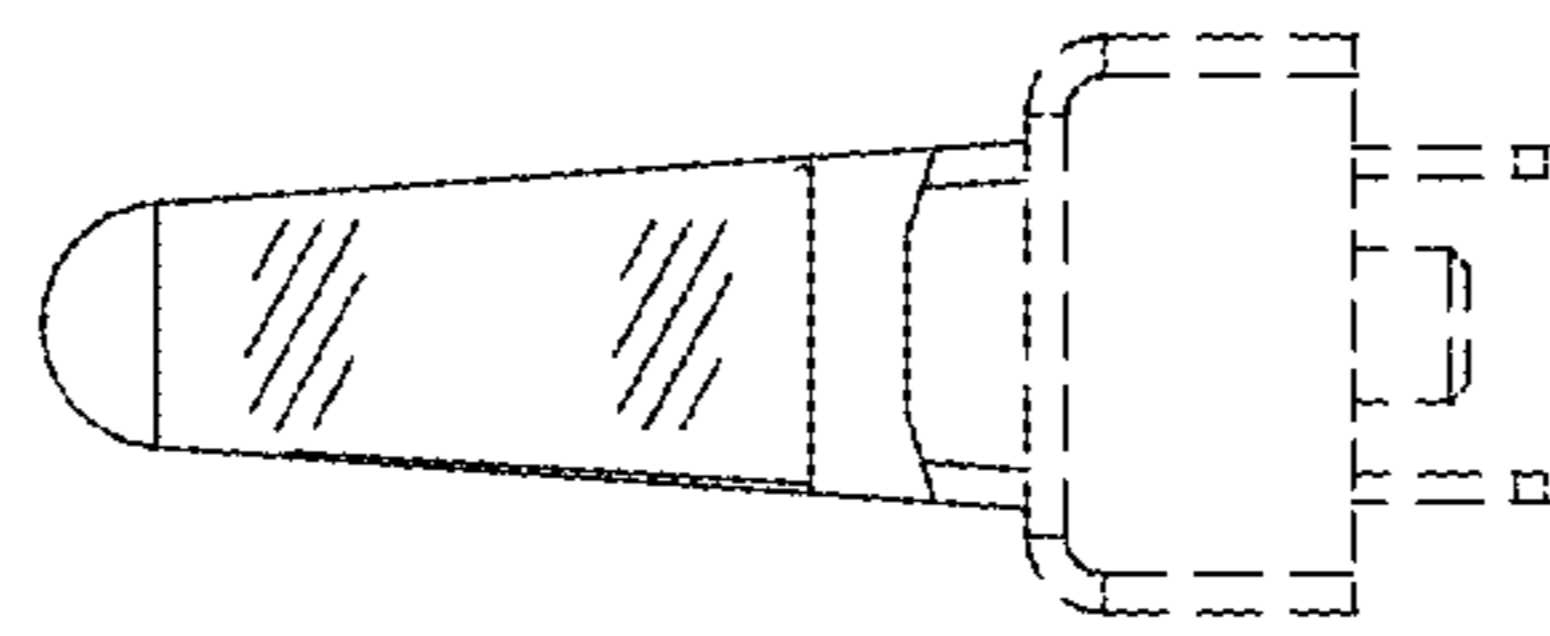


FIG. 4

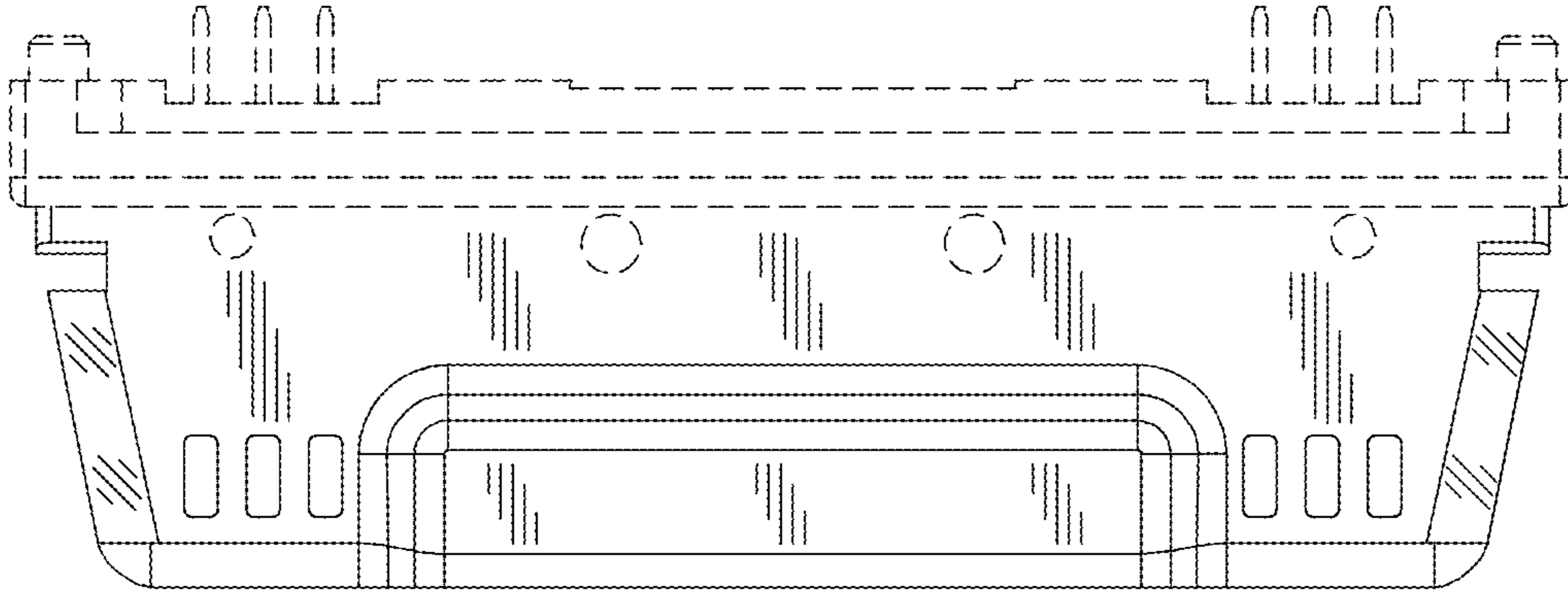


FIG. 5

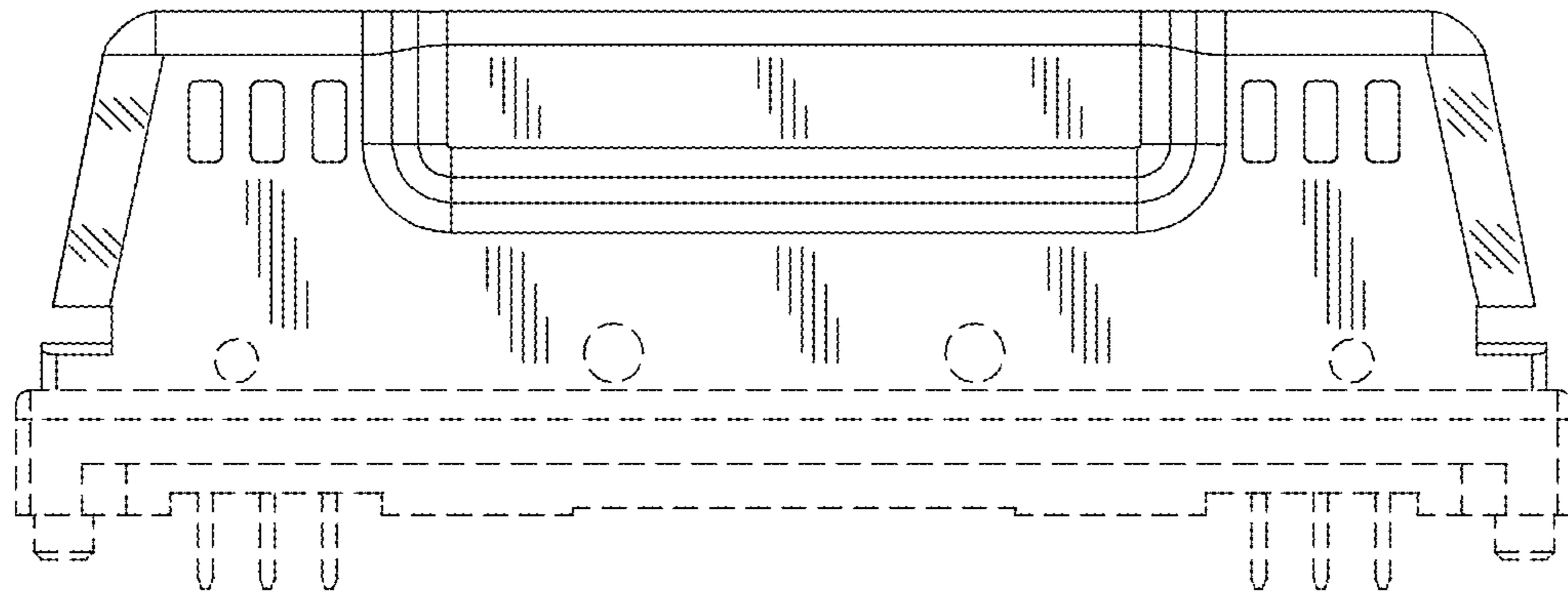


FIG. 6