



US00D780123S

(12) **United States Design Patent** (10) **Patent No.:** **US D780,123 S**
Zetterqvist et al. (45) **Date of Patent:** **** Feb. 28, 2017**

(54) **CONNECTOR** 7,554,034 B2 * 6/2009 Smith H01R 13/5213
174/135
(71) Applicant: **ABB AB**, Västerås (SE) D600,206 S 9/2009 Ledbetter et al.
D600,210 S 9/2009 Snyder et al.
(72) Inventors: **Matz Zetterqvist**, Stigtomta (SE); D602,433 S 10/2009 Katou et al.
Alexander Rydberg, Oxelösund (SE); D615,496 S 5/2010 Mennekes
Hans Fredriksson, Nyköping (SE) D646,224 S * 10/2011 Guo D13/147
D698,729 S * 2/2014 Fukushima D13/146
(73) Assignee: **ABB AB**, Västerås (SE) D700,142 S * 2/2014 Fukushima D13/146
D702,641 S * 4/2014 Ichio D13/146
D717,246 S 11/2014 Ilkhanov et al.
(**) Term: **15 Years** D722,024 S * 2/2015 Smith D13/147
D722,970 S 2/2015 Smith
D730,288 S * 5/2015 Ilkhanov D13/120
(21) Appl. No.: **29/556,681** 2005/0118853 A1 6/2005 Starke et al.
(22) Filed: **Mar. 2, 2016** 2006/0008213 A1 * 1/2006 Lord G02B 6/4292
385/89

Related U.S. Application Data

(62) Division of application No. 29/531,256, filed on Jun. 24, 2015.

Foreign Application Priority Data

Feb. 5, 2015 (EM) 002627125-0001
Feb. 5, 2015 (EM) 002627125-0002

(51) **LOC (10) Cl.** **13-03**
(52) **U.S. Cl.**
USPC **D13/146**

(58) **Field of Classification Search**
USPC D13/101, 107, 112, 113, 118, 120, 123,
D13/129-135, 149, 151, 154, 173, 184,
D13/199
CPC H01R 33/00; H01R 13/00; H01R 13/44;
H01R 13/62; H01R 13/63; H01H
9/00; H01H 9/02; H02G 3/14; H02J 7/00;
H02B 1/01; F02N 17/00; B60L 1/02
See application file for complete search history.

(56) **References Cited**

U.S. PATENT DOCUMENTS

D399,187 S 10/1998 Kay
6,749,438 B1 * 6/2004 Scheller B60D 1/62
439/35

(Continued)

Primary Examiner — Thomas Johnannes
Assistant Examiner — Shawn T Gingrich
(74) *Attorney, Agent, or Firm* — Whitmyer IP Group LLC

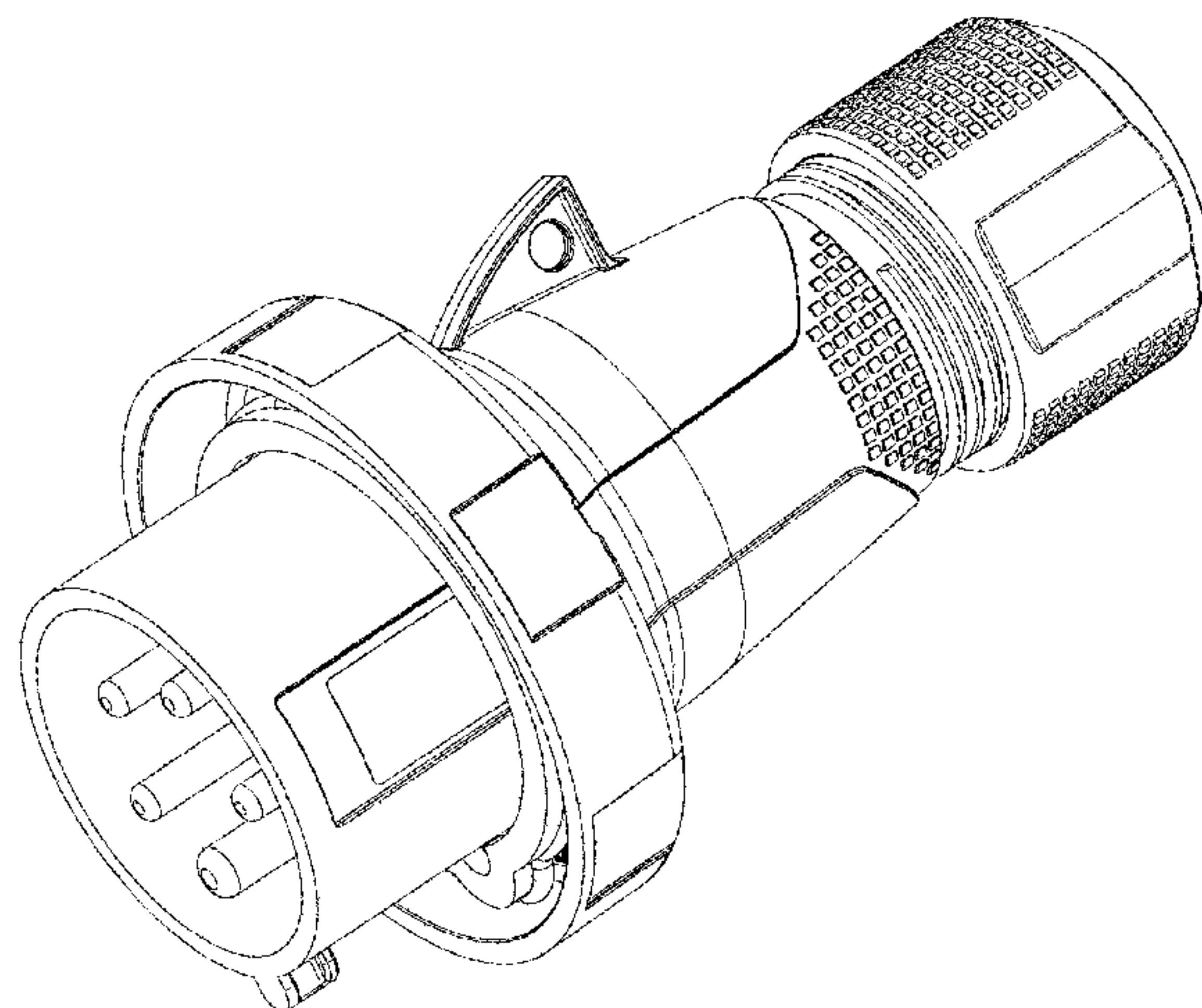
(57) **CLAIM**

The ornamental design for a connector, as shown and described.

DESCRIPTION

FIG. 1 is a front and right side isometric view of a connector in accordance with the new design;
FIG. 2 is a right side elevational view thereof;
FIG. 3 is a left side elevational view thereof;
FIG. 4 is a top plan view thereof;
FIG. 5 is a bottom plan view thereof;
FIG. 6 is a front elevational view thereof; and,
FIG. 7 is a rear elevational view thereof.
The broken line portion of the drawings is included to show portions of the article that form no part of the claimed design.

1 Claim, 7 Drawing Sheets



(56)

References Cited

U.S. PATENT DOCUMENTS

2006/0239620 A1 10/2006 Brownjohn
2010/0130061 A1 5/2010 Snyder et al.

* cited by examiner

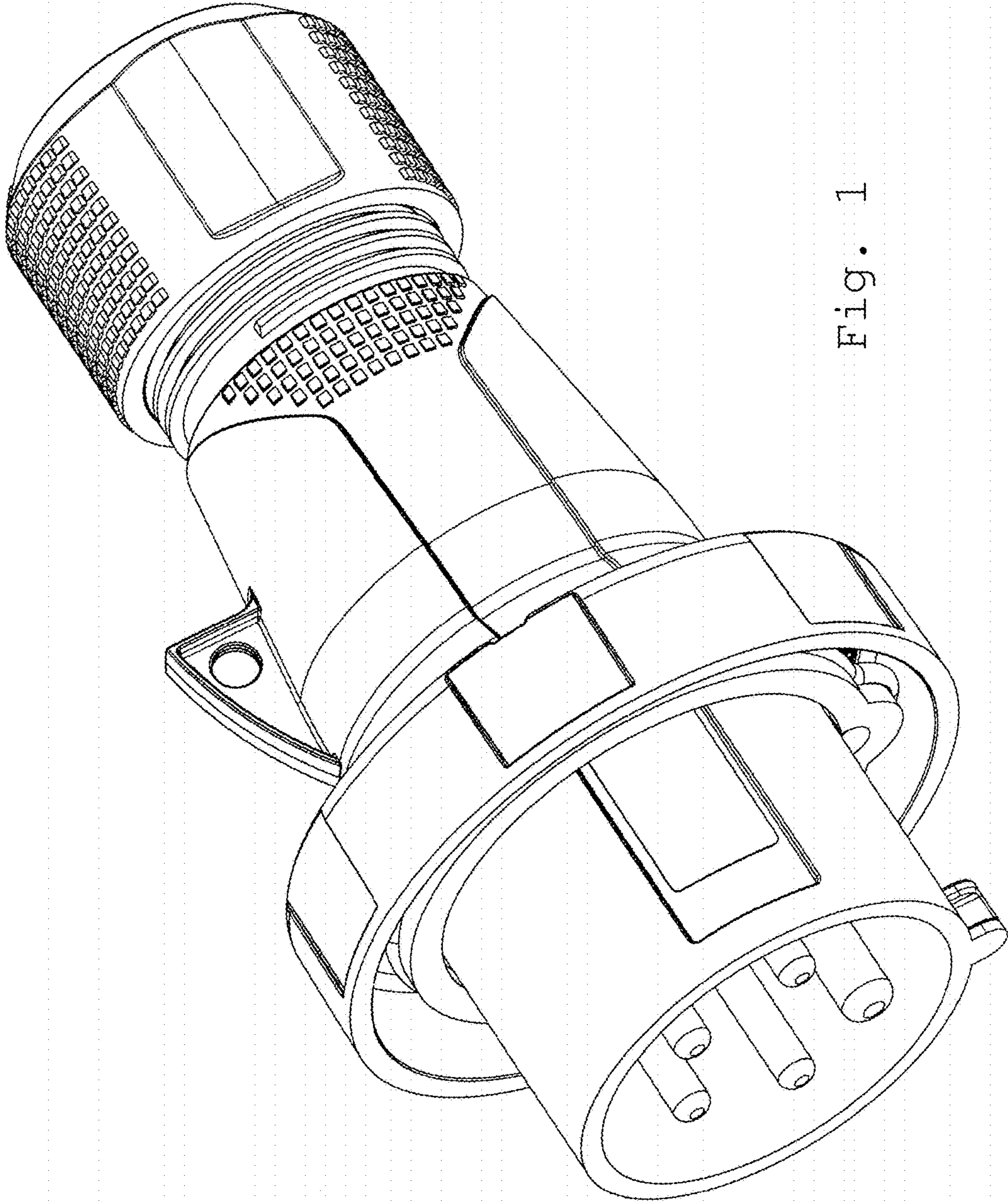


Fig. 1

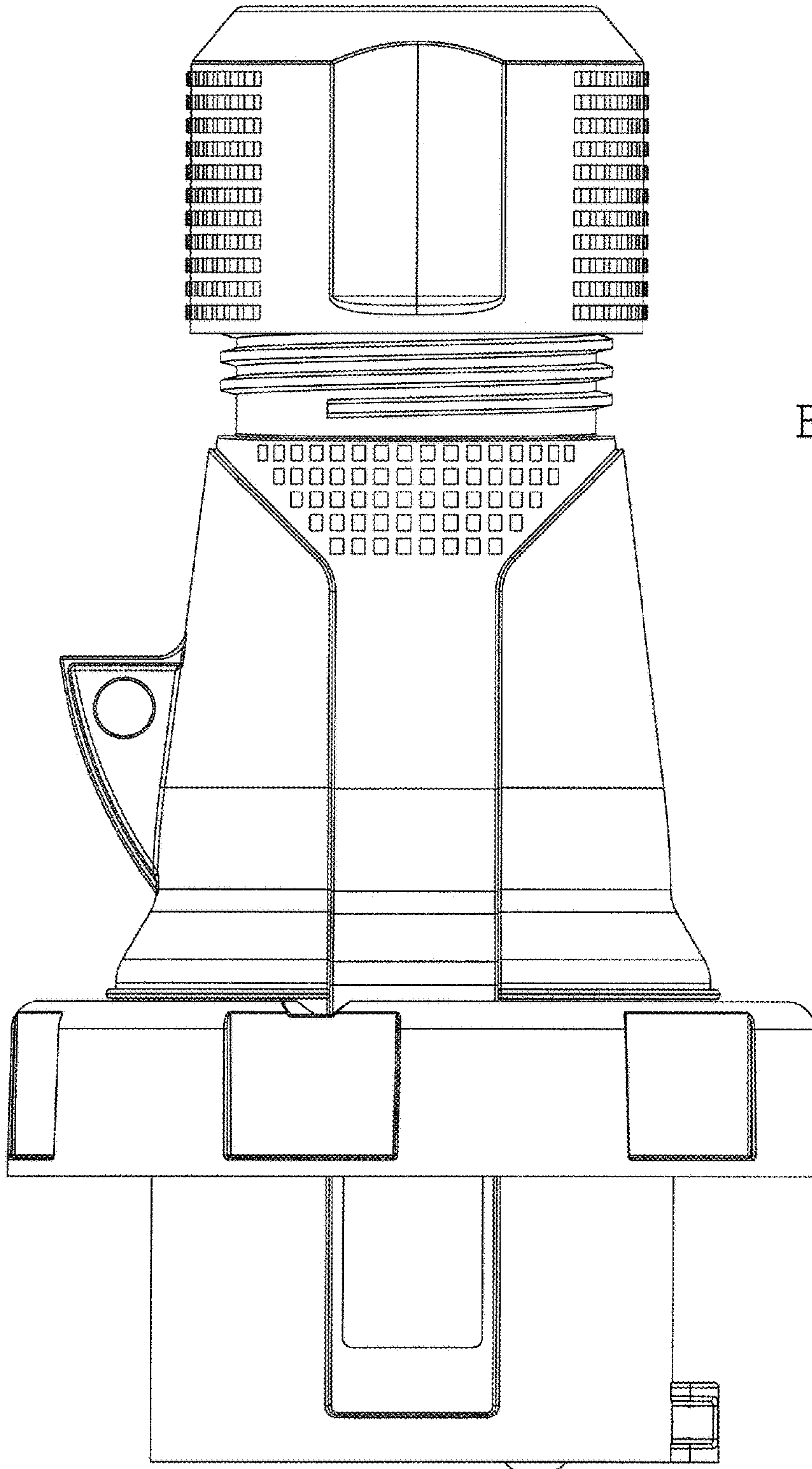


Fig. 2

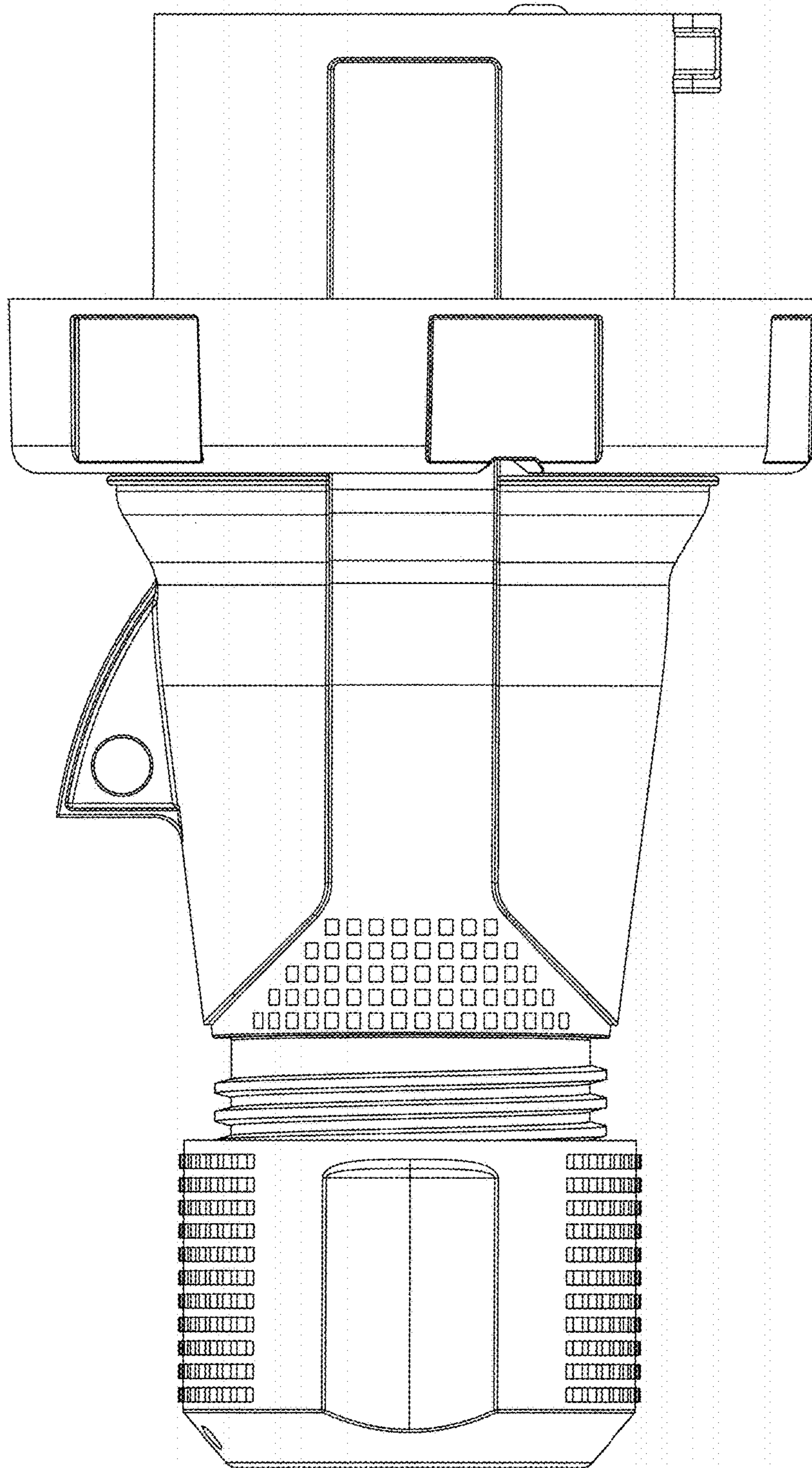


Fig. 3

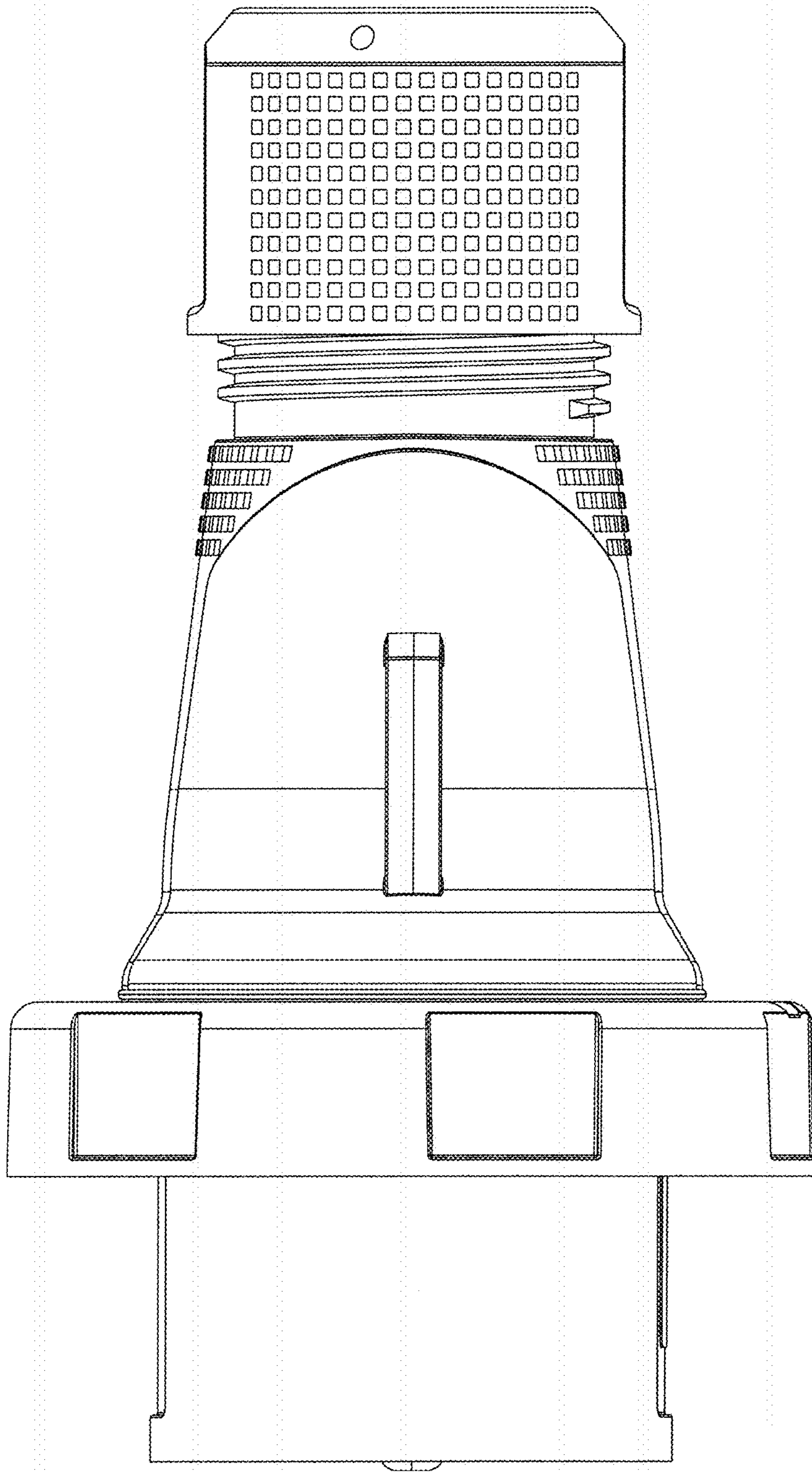


Fig. 4

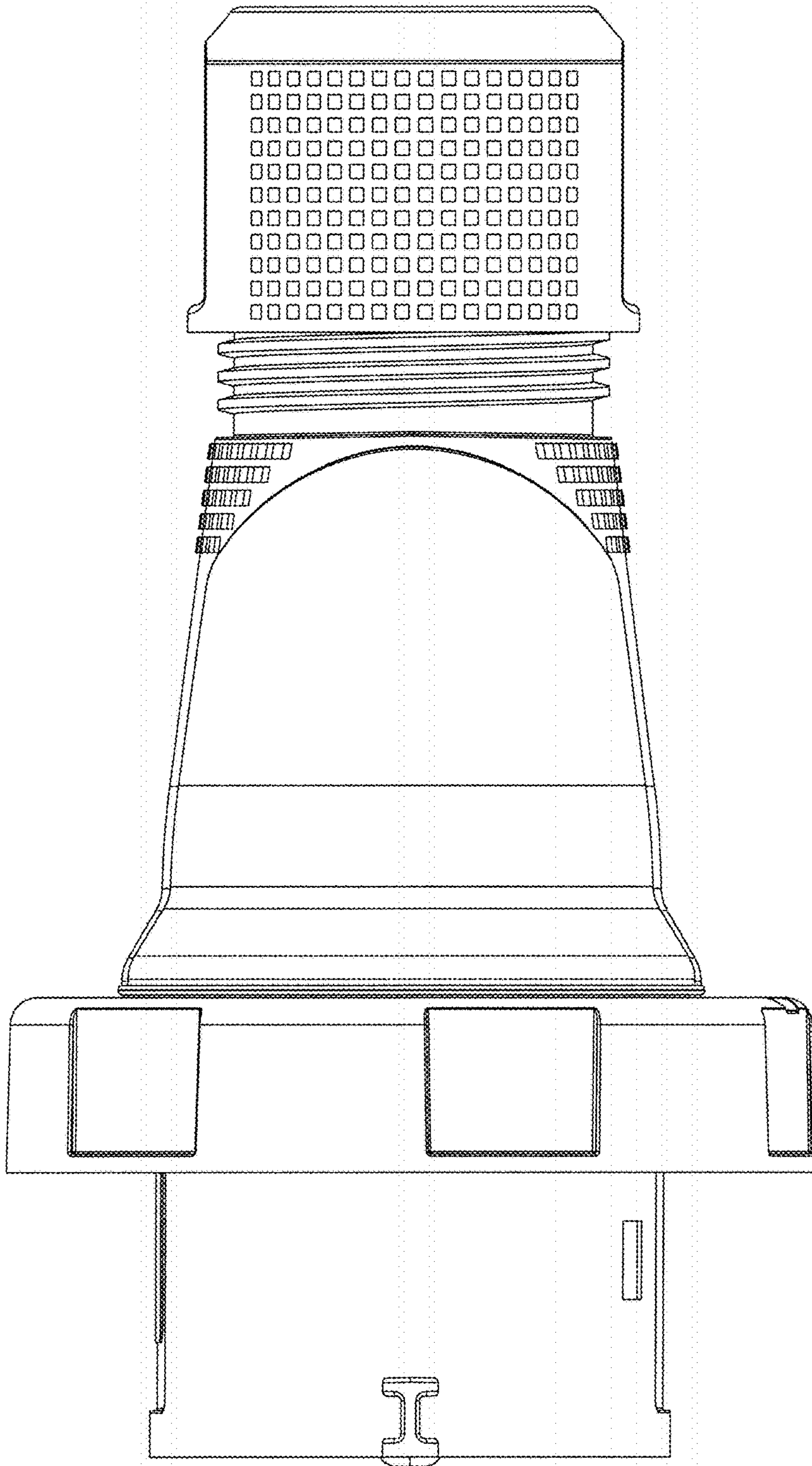


Fig. 5

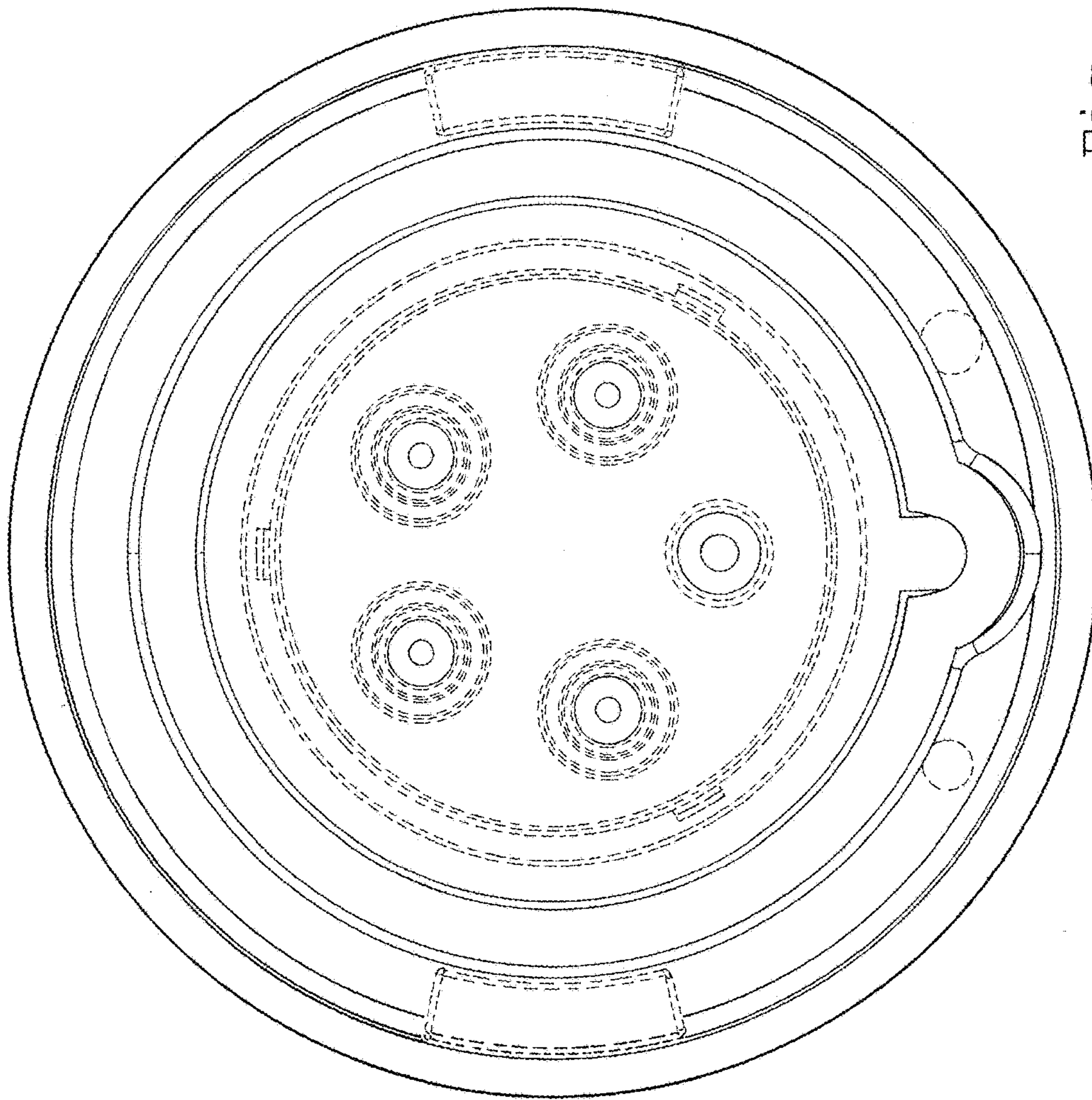


Fig. 6

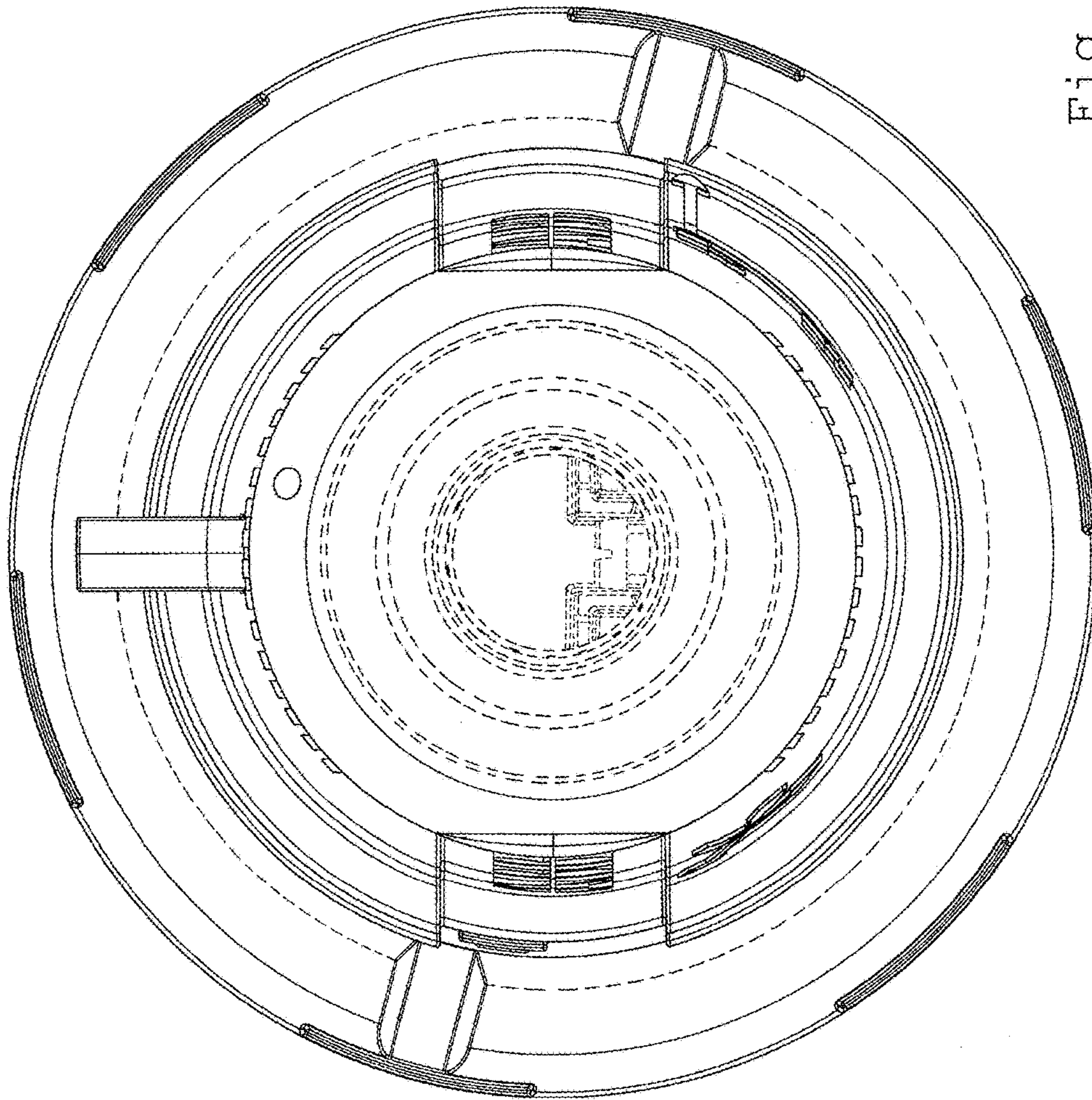


Fig. 7