



US00D780121S

(12) **United States Design Patent** (10) **Patent No.:** **US D780,121 S**  
**Crockett et al.** (45) **Date of Patent:** **\*\* Feb. 28, 2017**

(54) **UNIVERSAL SERIAL BUS (USB) PORT**  
(71) Applicant: **Toshiba Global Commerce Solutions Holdings Corporation**, Tokyo (JP)  
(72) Inventors: **Timothy Crockett**, Raleigh, NC (US); **Stacy Arrington**, Morrisville, NC (US); **Jose Figueroa**, Knightdale, NC (US)  
(73) Assignee: **Toshiba Global Commerce Solutions Holdings Corporation**, Tokyo (JP)

D627,784 S 11/2010 Yamamoto  
D628,157 S \* 11/2010 Su ..... D13/139.8  
D635,978 S \* 4/2011 Chen ..... D14/434  
D643,841 S 8/2011 Lyford et al.  
D649,971 S 12/2011 Lyford et al.  
8,110,742 B2\* 2/2012 Compagnone, Jr. ... H02G 3/126  
174/50  
D683,314 S 5/2013 Andre et al.  
D693,768 S \* 11/2013 Alesi ..... D13/110  
D704,578 S 5/2014 Chen et al.  
D711,833 S \* 8/2014 Gagne ..... D13/152  
D714,293 S 9/2014 Kelly et al.  
D730,903 S 6/2015 Langhammer et al.

(\*\*) Term: **14 Years**

(Continued)

(21) Appl. No.: **29/521,562**

*Primary Examiner* — Rhea Shields

(22) Filed: **Mar. 24, 2015**

(74) *Attorney, Agent, or Firm* — Olive Law Group, PLLC

(51) **LOC (10) Cl.** ..... **13-03**

(52) **U.S. Cl.**

USPC ..... **D13/139.1**

(58) **Field of Classification Search**

USPC ..... D13/139.1–139.8, 184, 152, 110, 108,  
D13/147, 133, 162; D10/121; D14/433,  
D14/434; 320/107; 174/50

CPC ..... H01R 13/639; H01R 27/02; H02J 7/0042;  
H02G 3/126

See application file for complete search history.

(57) **CLAIM**

We claim the ornamental design for the USB port, as shown and described.

**DESCRIPTION**

This application is related to U.S. Utility patent application Ser. No. 14/667,570, titled Universal Serial Bus (USB) Port and Plug Systems and filed simultaneously herewith, and U.S. Design patent application Ser. No. 29/521,558, titled Universal Serial Bus (USB) Port and filed simultaneously herewith.

FIG. 1 shows a top perspective view of the USB port;

FIG. 2 shows a bottom perspective view thereof;

FIG. 3 shows a top view thereof;

FIG. 4 shows a side view thereof;

FIG. 5 shows a front view thereof;

FIG. 6 shows a side view that opposes the side view of the USB port shown in FIG. 4; and,

FIG. 7 shows a bottom view thereof.

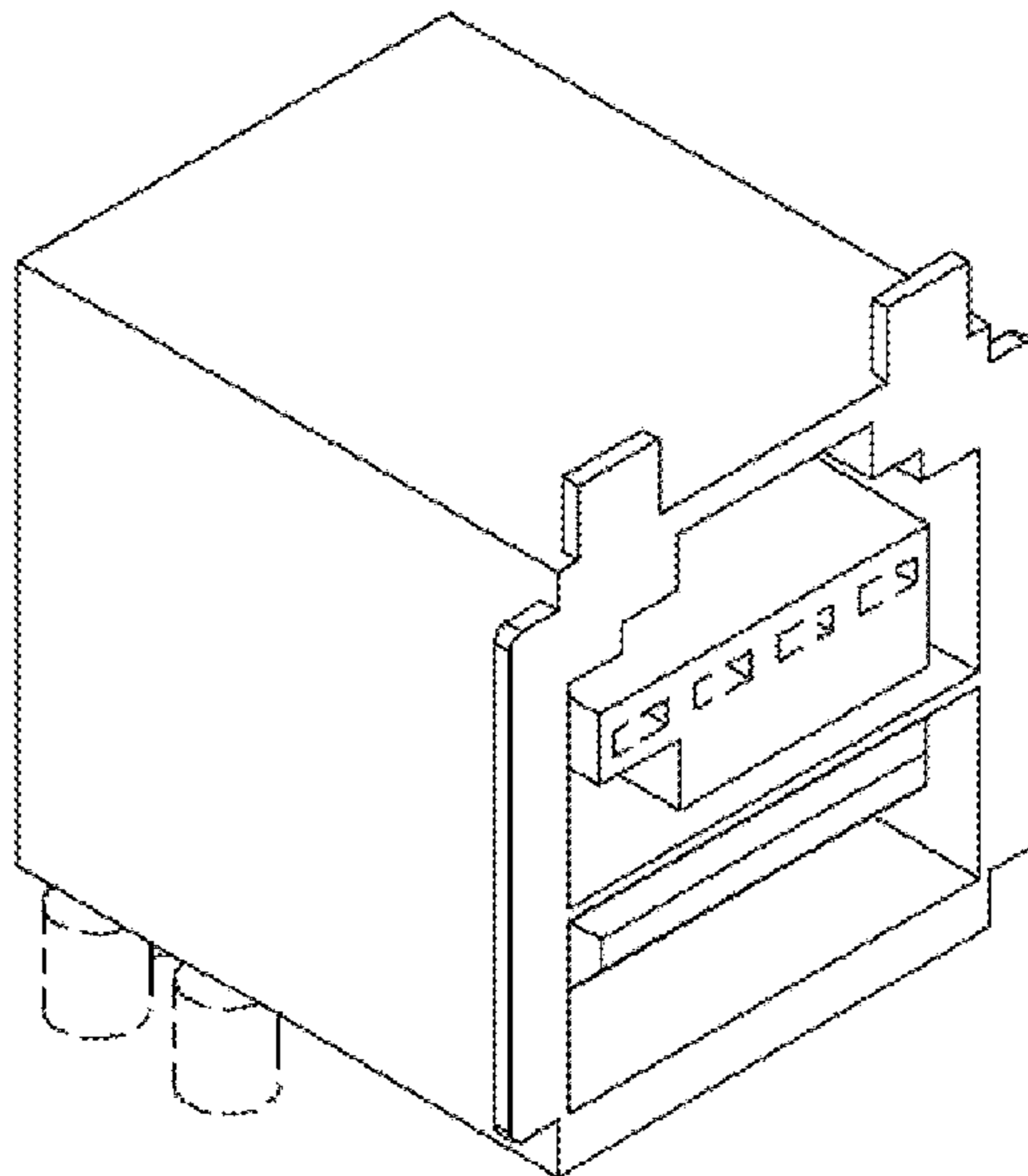
The broken lines in the drawings illustrate unclaimed portions of the USB port and form no part of the claimed design.

(56) **References Cited**

U.S. PATENT DOCUMENTS

D413,571 S \* 9/1999 Glass ..... D13/139.4  
D563,895 S \* 3/2008 Stuckmann ..... D13/152  
D565,443 S 4/2008 Frake et al.  
D580,441 S \* 11/2008 Mori ..... D14/434  
D589,887 S \* 4/2009 Lin ..... D13/147  
D604,725 S 11/2009 Chen  
D605,121 S \* 12/2009 Dennes ..... D13/133  
7,746,029 B2\* 6/2010 Toya ..... H02J 7/0042  
320/107  
D624,548 S 9/2010 Yamamoto

**1 Claim, 7 Drawing Sheets**



(56)

**References Cited**

U.S. PATENT DOCUMENTS

D731,489	S	6/2015	Langhammer et al.	
D735,130	S *	7/2015	Huang .....	D13/108
D740,763	S *	10/2015	Wenji .....	D13/162
D742,340	S *	11/2015	Krivonak .....	D13/184
D743,290	S *	11/2015	Welch .....	D10/121
D753,662	S *	4/2016	Arrington .....	D14/433
D760,666	S *	7/2016	Krein .....	D13/152
D762,172	S *	7/2016	Pignotti .....	D13/108
D762,586	S *	8/2016	Crockett .....	D13/147
2016/0285217	A1 *	9/2016	Crockett .....	H01R 13/639
2016/0285218	A1 *	9/2016	Arrington .....	H01R 27/02

\* cited by examiner

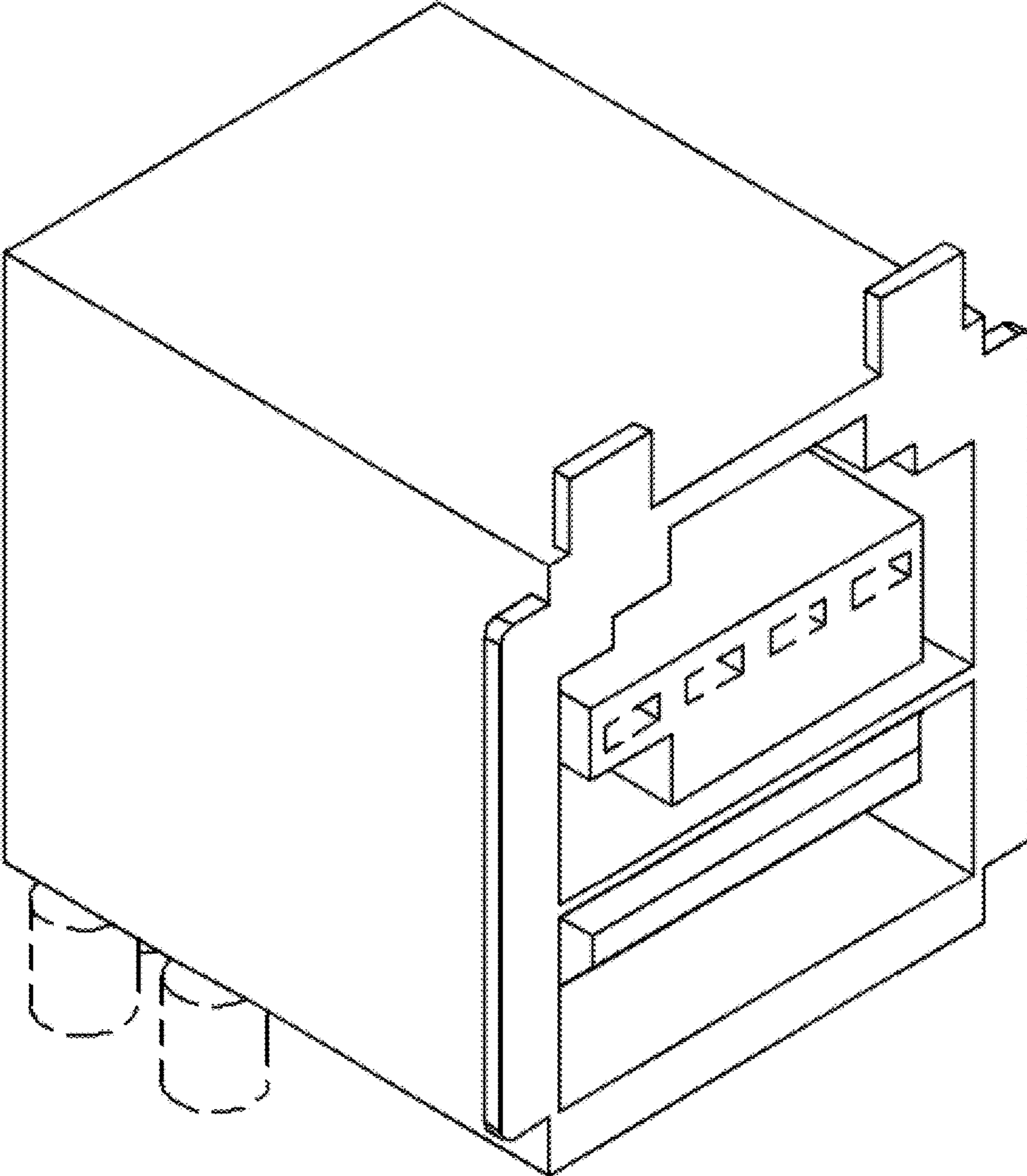


FIG. 1

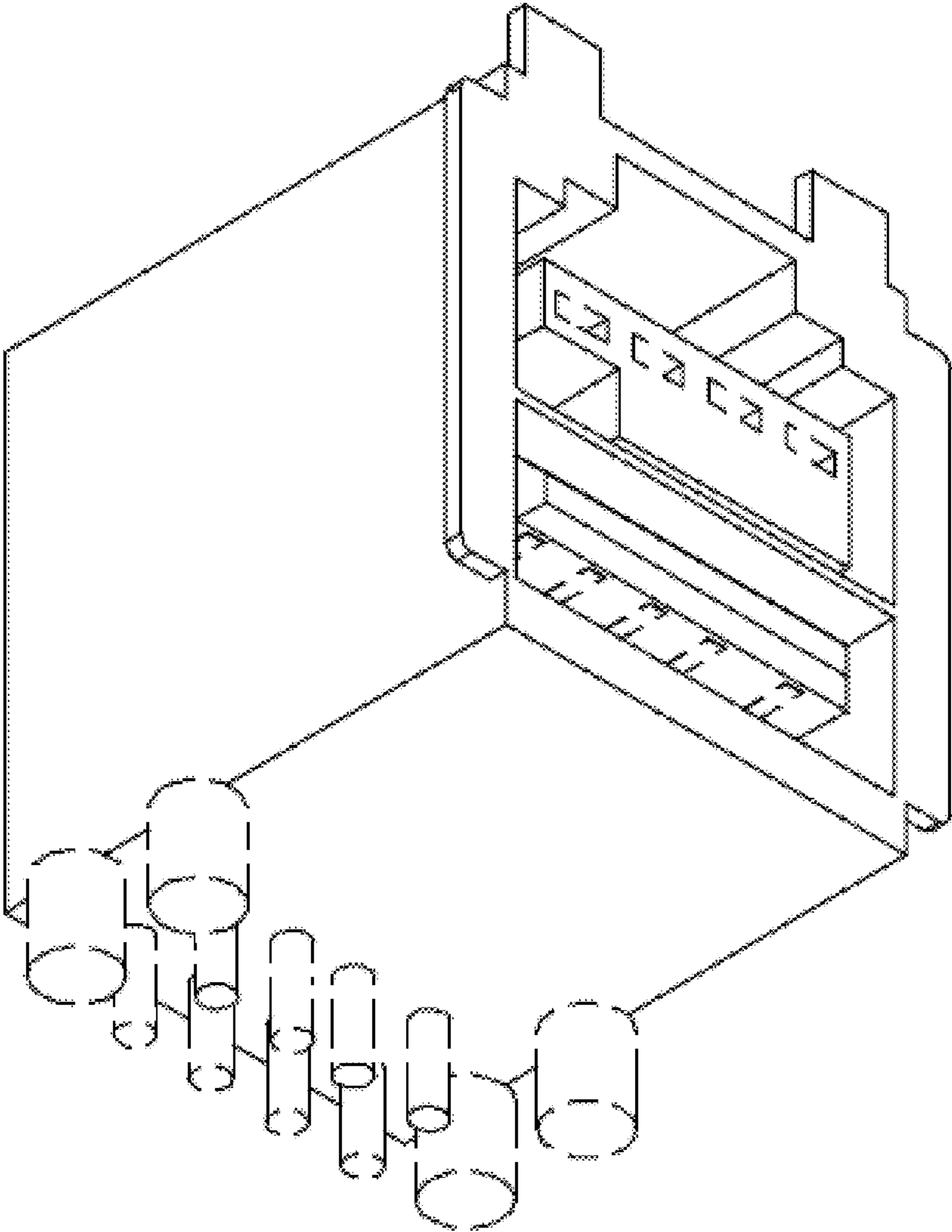


FIG. 2

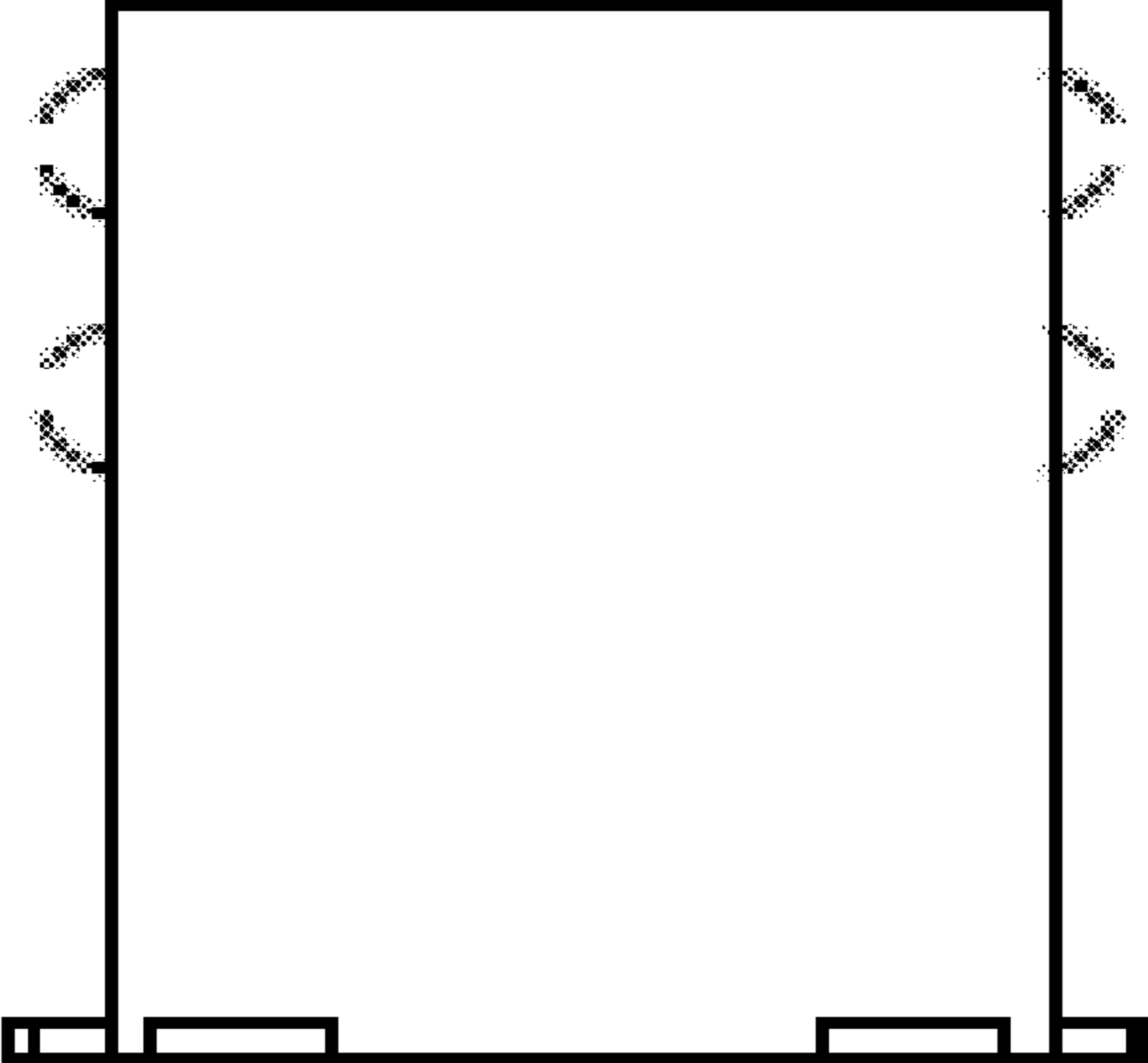


FIG. 3

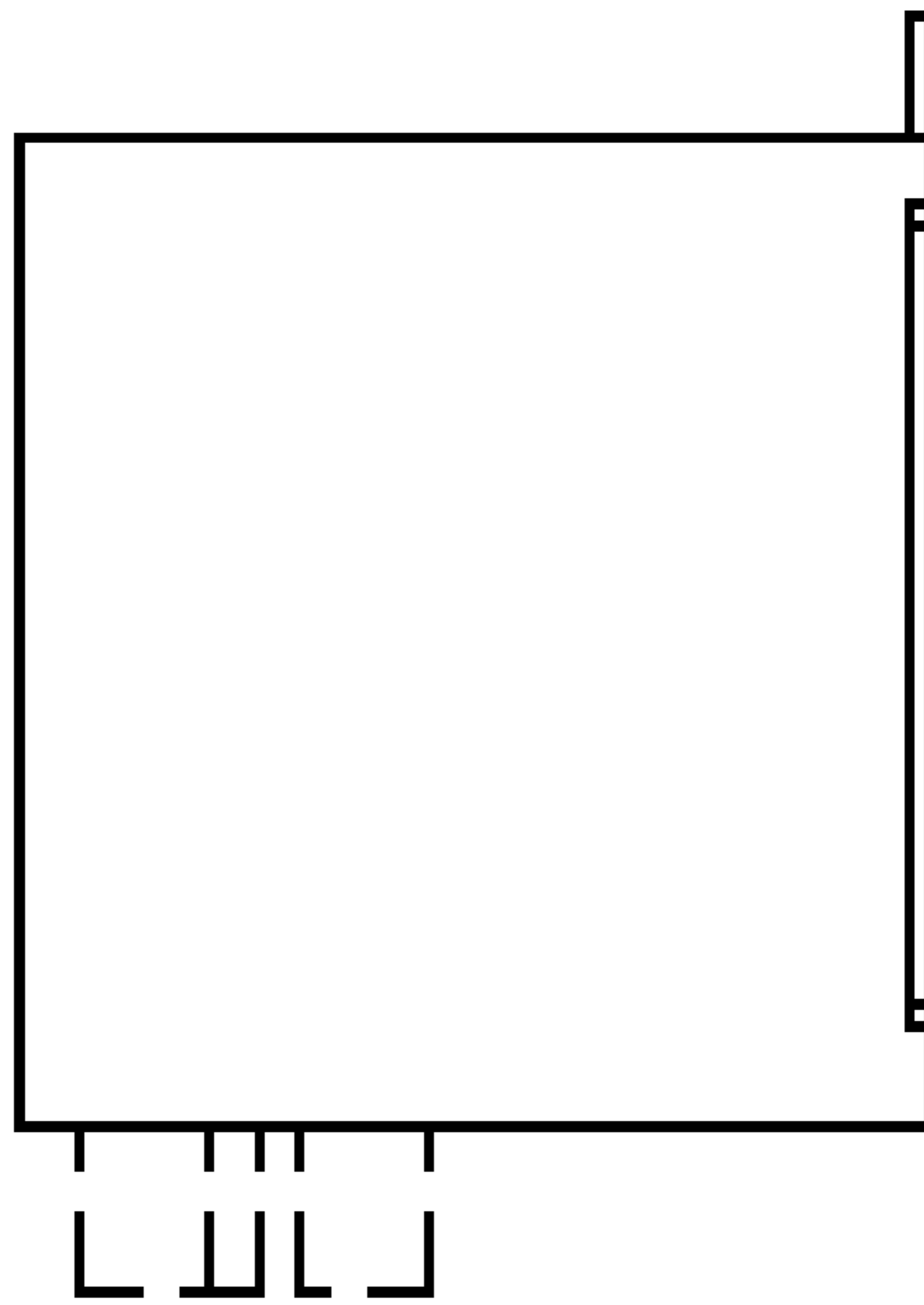


FIG. 4

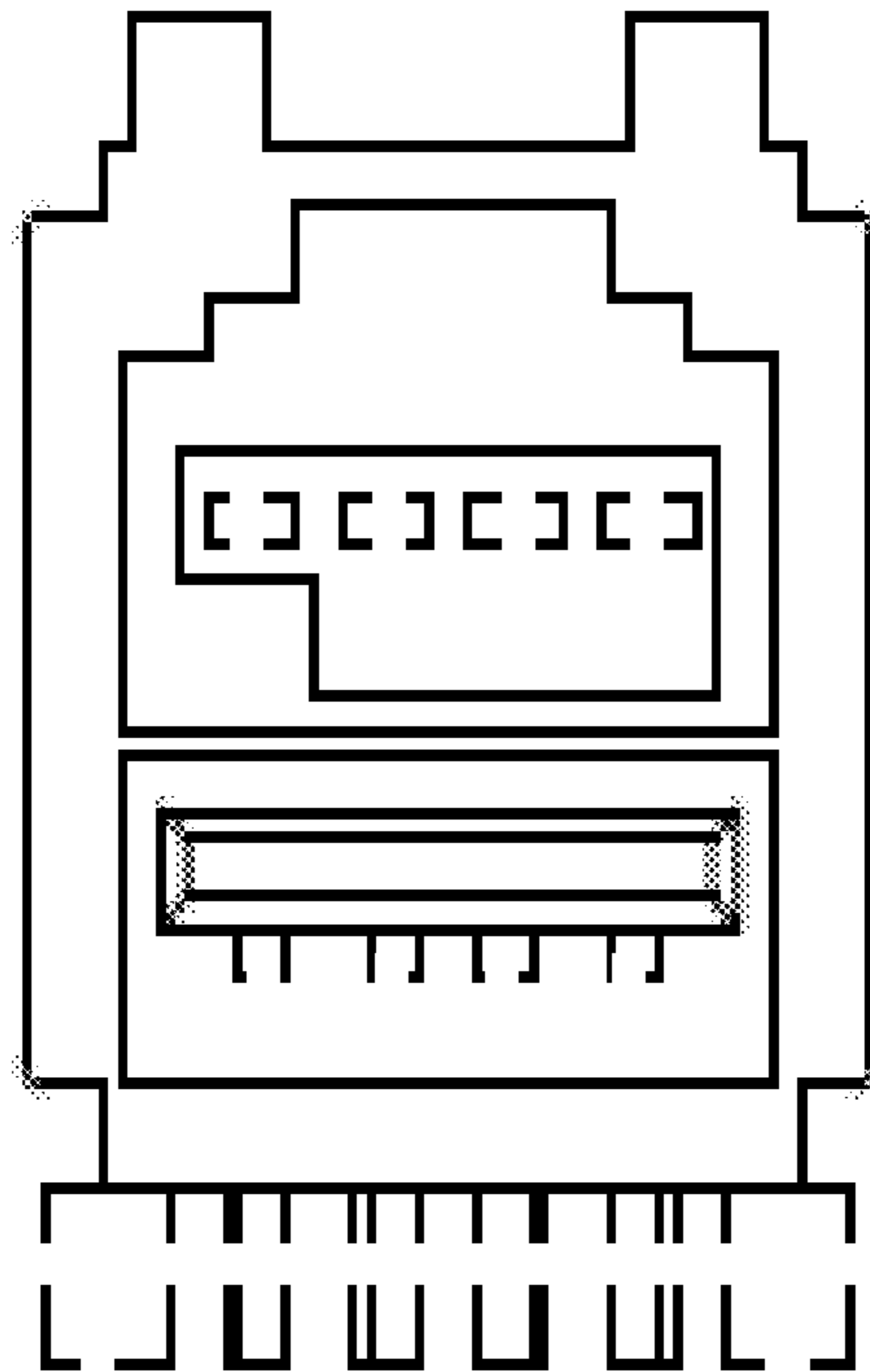


FIG. 5

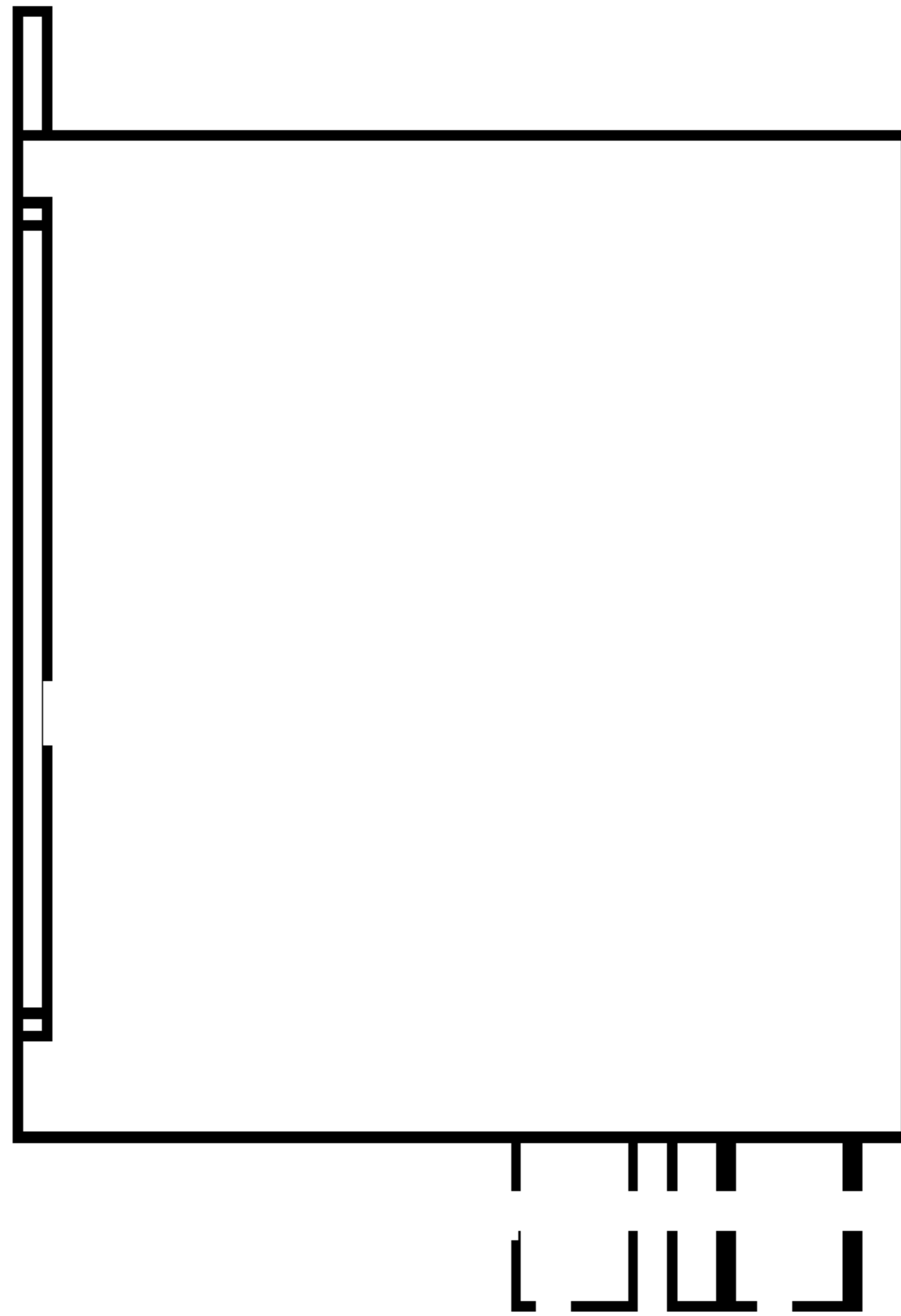


FIG. 6



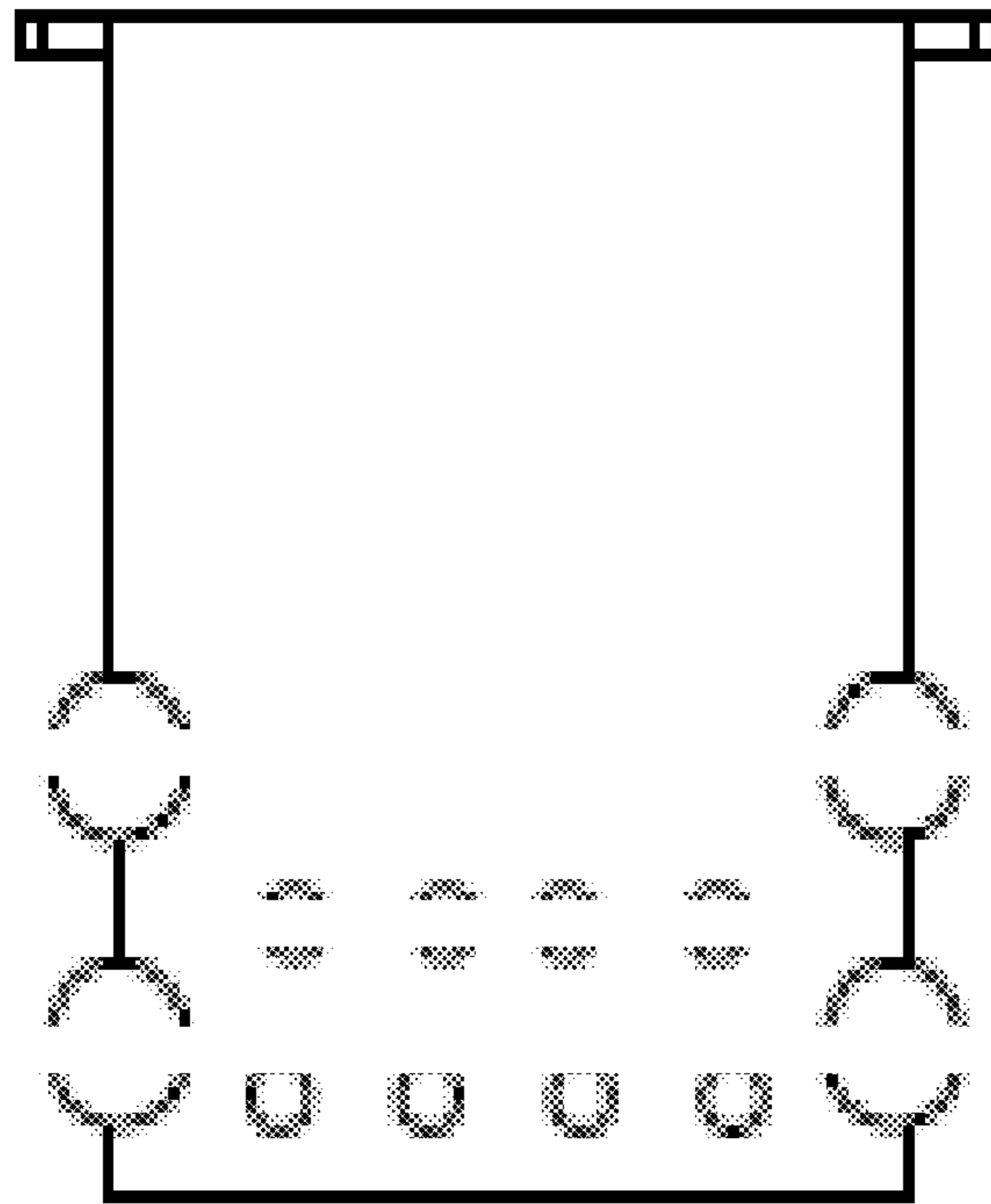


FIG. 7