



US00D780118S

(12) **United States Design Patent**
Rudolph

(10) **Patent No.:** **US D780,118 S**

(45) **Date of Patent:** **** Feb. 28, 2017**

(54) **ELECTRIC MOTOR**

(71) Applicant: **Wittenstein AG**, Igersheim (DE)

(72) Inventor: **Florian Rudolph**, Roettingen (DE)

(73) Assignee: **Wittenstein SE**, Igersheim (DE)

(**) Term: **14 Years**

(21) Appl. No.: **29/508,519**

(22) Filed: **Nov. 7, 2014**

(30) **Foreign Application Priority Data**

Jul. 8, 2014 (EM) 002498485-0001

(51) **LOC (10) Cl.** **13-01**

(52) **U.S. Cl.**
USPC **D13/112; D15/148**

(58) **Field of Classification Search**
USPC D13/103, 107-114, 117-119, 122, 126,
D13/127, 133, 154, 184, 199; D15/148,
149

(Continued)

(56) **References Cited**

U.S. PATENT DOCUMENTS

D205,662 S * 9/1966 Bluemink D13/112
D304,169 S * 10/1989 Hoshino D13/112

(Continued)

Primary Examiner — Garth Rademaker

Assistant Examiner — Richard Kearney

(74) *Attorney, Agent, or Firm* — Bachman & LaPointe,
PC

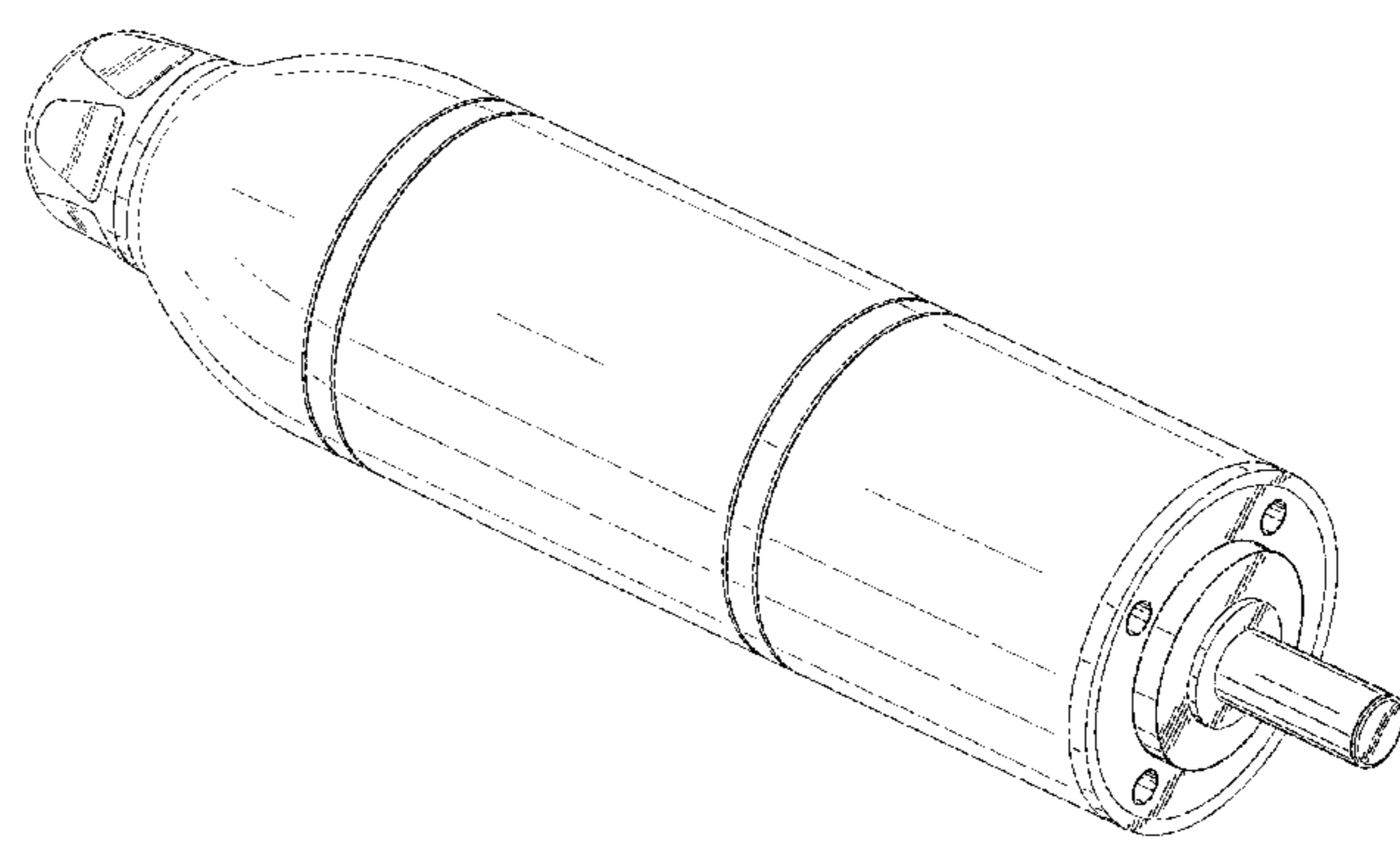
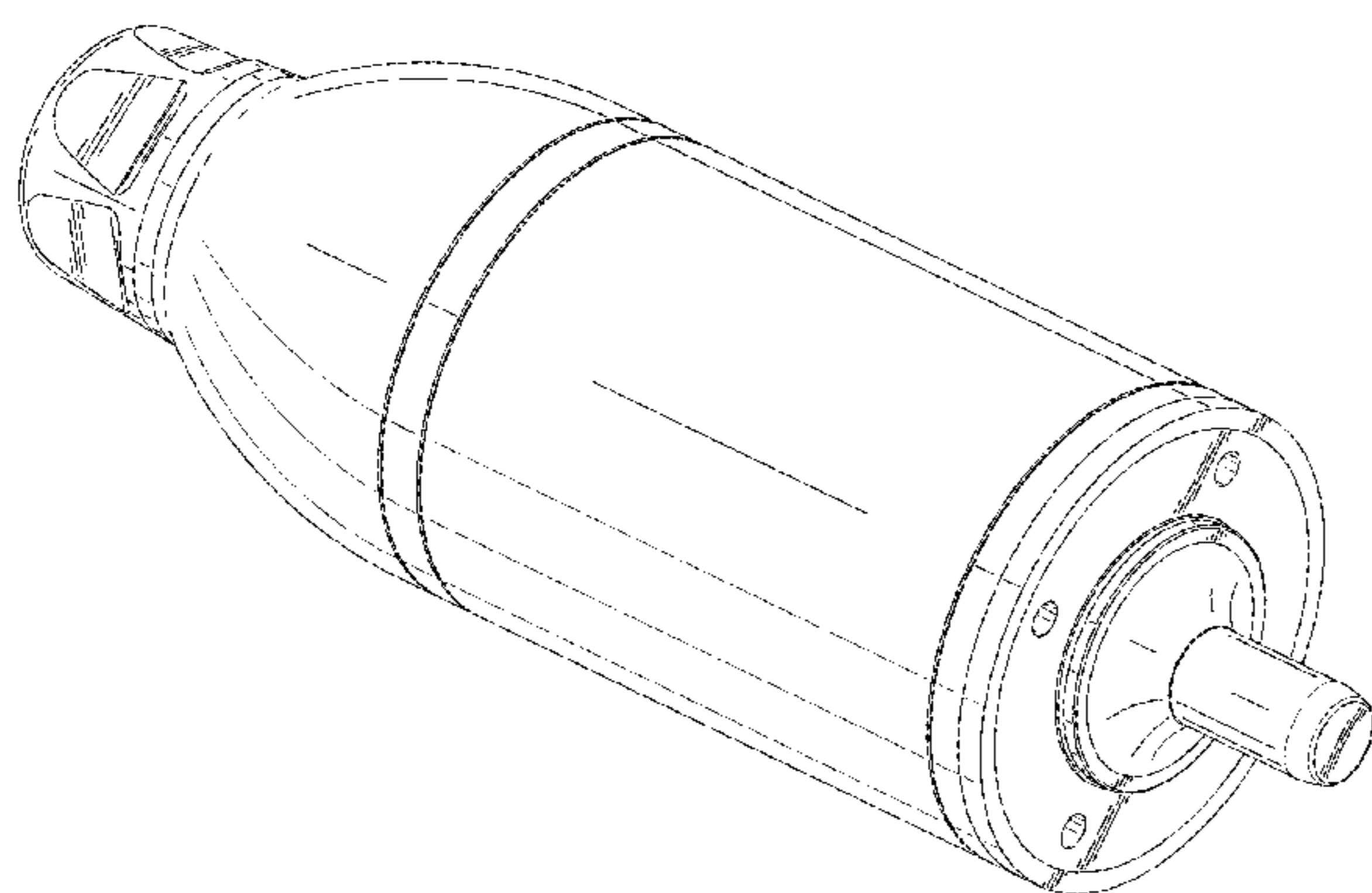
(57) **CLAIM**

The ornamental design for an electric motor, as shown and described.

DESCRIPTION

FIG. 1 is a top view showing a first embodiment of an electric motor in accordance with the present invention; FIG. 2 is a side view of the embodiment of FIG. 1; FIG. 3 is a front view of the embodiment of FIG. 1; FIG. 4 is a back view of the embodiment of FIG. 1; FIG. 5 is a perspective view of the embodiment of FIG. 1; FIG. 6 is a top view showing a second embodiment of an electric motor in accordance with the present invention; FIG. 7 is a side view of the embodiment of FIG. 6; FIG. 8 is a front view of the embodiment of FIG. 6; FIG. 9 is a back view of the embodiment of FIG. 6; FIG. 10 is a perspective view of the embodiment of FIG. 6; FIG. 11 is a top view showing a third embodiment of an electric motor in accordance with the present invention; FIG. 12 is a side view of the embodiment of FIG. 11; FIG. 13 is a front view of the embodiment of FIG. 11; FIG. 14 is a back view of the embodiment of FIG. 11; FIG. 15 is a perspective view of the embodiment of FIG. 11; FIG. 16 is a top view showing a fourth embodiment of an electric motor in accordance with the present invention; FIG. 17 is a side view of the embodiment of FIG. 16; FIG. 18 is a front view of the embodiment of FIG. 16; FIG. 19 is a back view of the embodiment of FIG. 16; and, FIG. 20 is a perspective view of the embodiment of FIG. 16.

1 Claim, 16 Drawing Sheets



(58) **Field of Classification Search**

CPC H02K 19/02; H02K 19/18; H02K 19/22;
H02K 27/02; H02K 33/02; H02N 2/0035;
H02P 8/06; F16K 31/041; F16K 31/042;
F16H 1/46

See application file for complete search history.

(56) **References Cited**

U.S. PATENT DOCUMENTS

D506,439	S *	6/2005	Wang	D13/133
D577,669	S *	9/2008	Hornberger	D13/112
D603,793	S *	11/2009	Lindberg	D13/112
D618,263	S *	6/2010	Siegfried	D15/148
8,048,557	B2 *	11/2011	Brand	B23K 26/206 219/121.64
D673,197	S *	12/2012	von Hafen	D15/148
D704,756	S *	5/2014	Voelker	D15/148
D712,354	S *	9/2014	Veeh	D13/112
8,895,181	B2 *	11/2014	Kim	H01M 2/0426 429/123
D733,779	S *	7/2015	Ebner	D15/148
2013/0269305	A1 *	10/2013	Wang	A01D 34/00 56/14.7

* cited by examiner

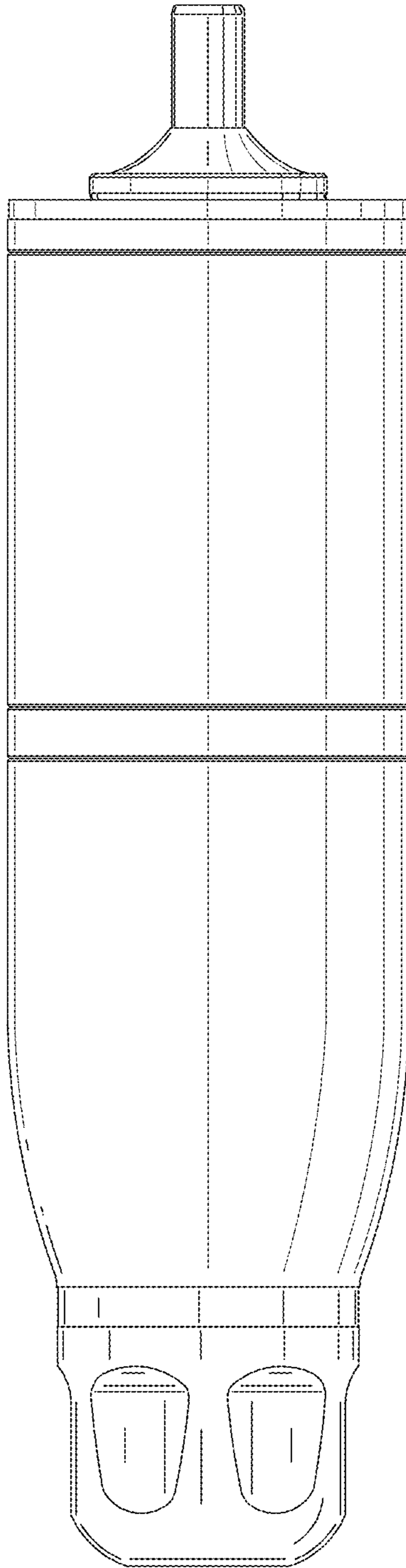


FIG. 1

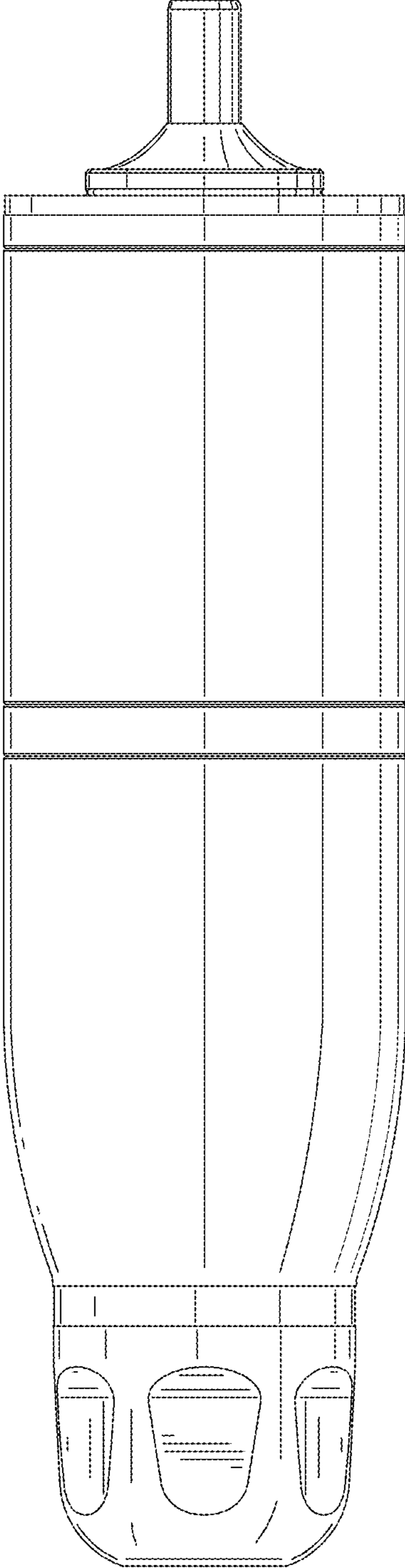


FIG. 2

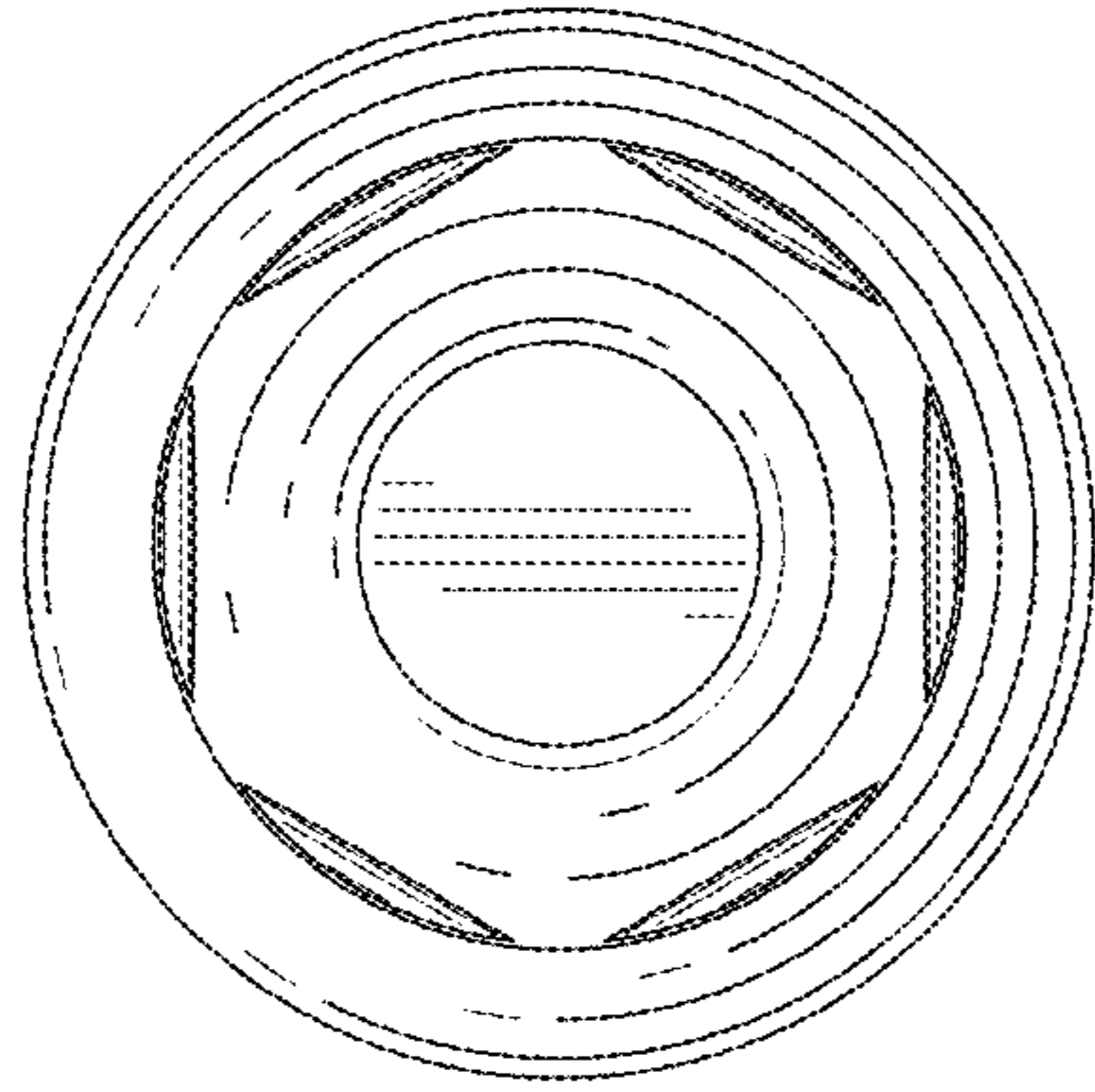


FIG. 4

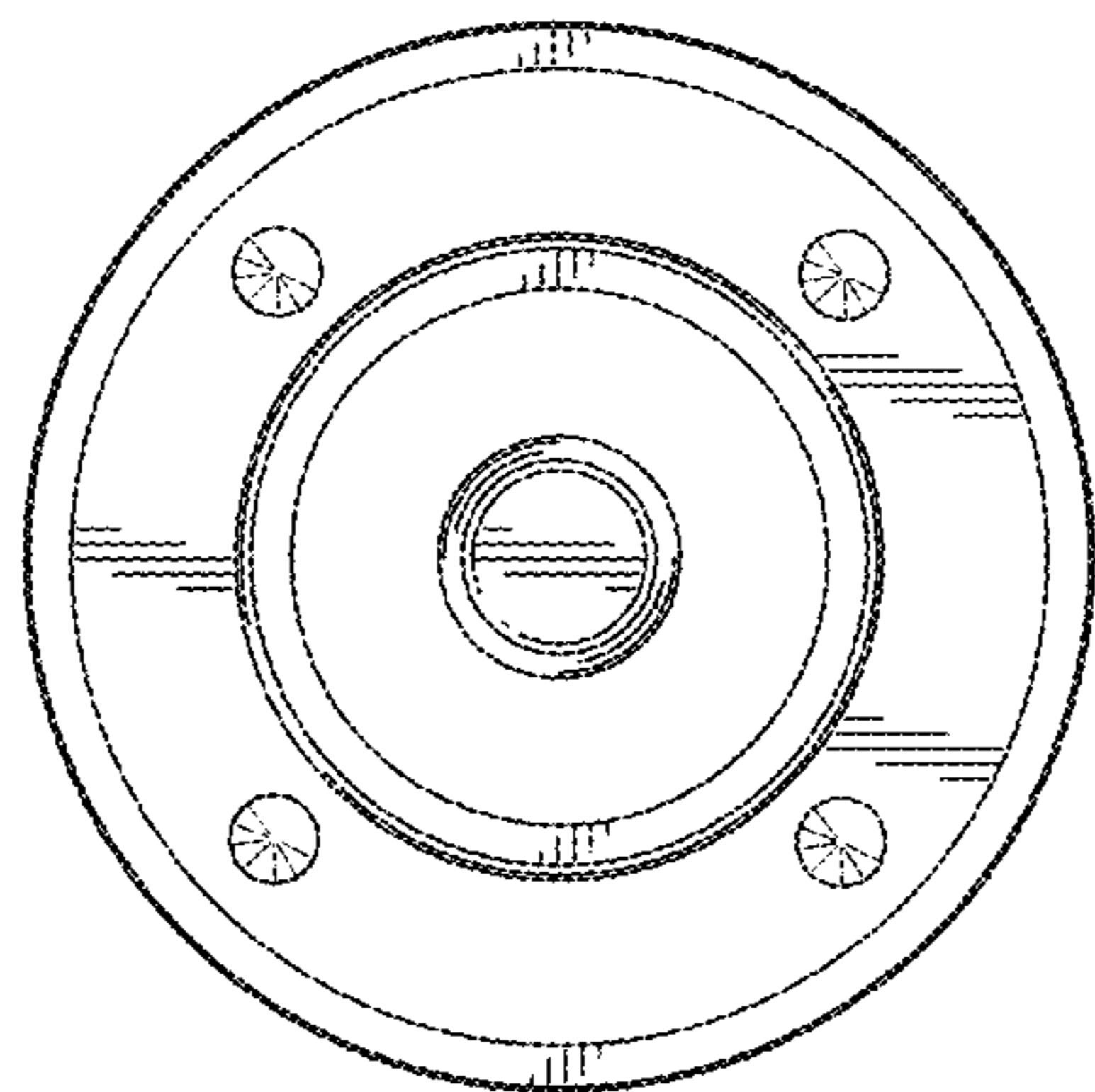


FIG. 3

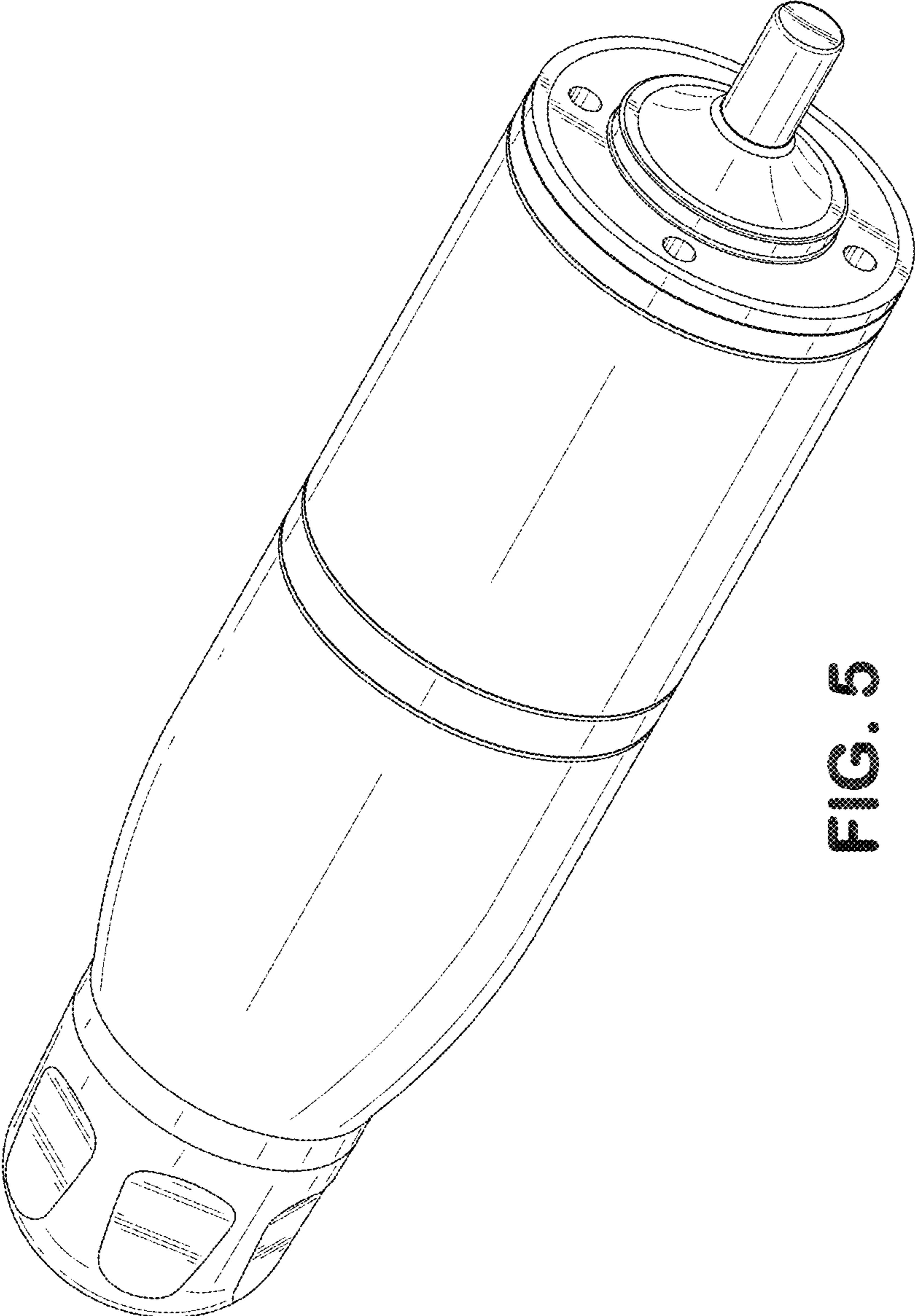


FIG. 5

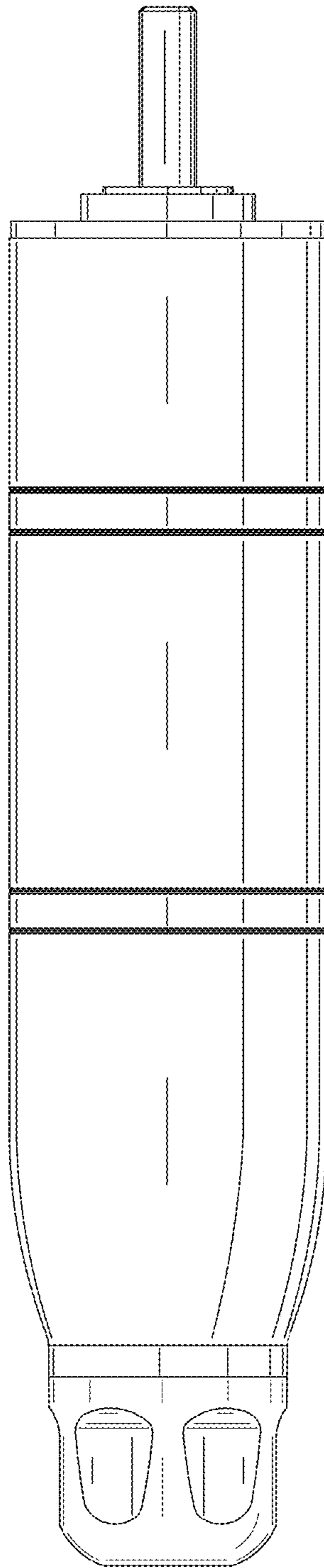


FIG. 6

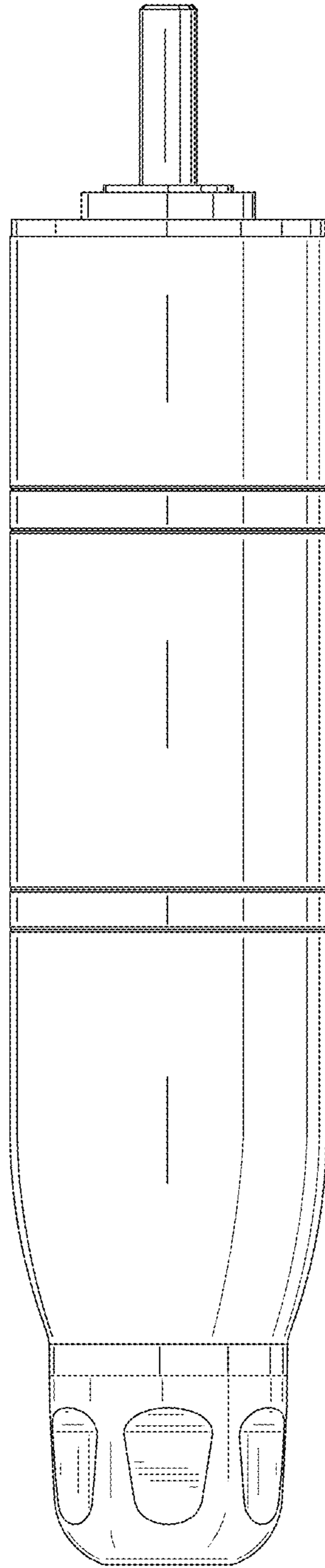


FIG. 7

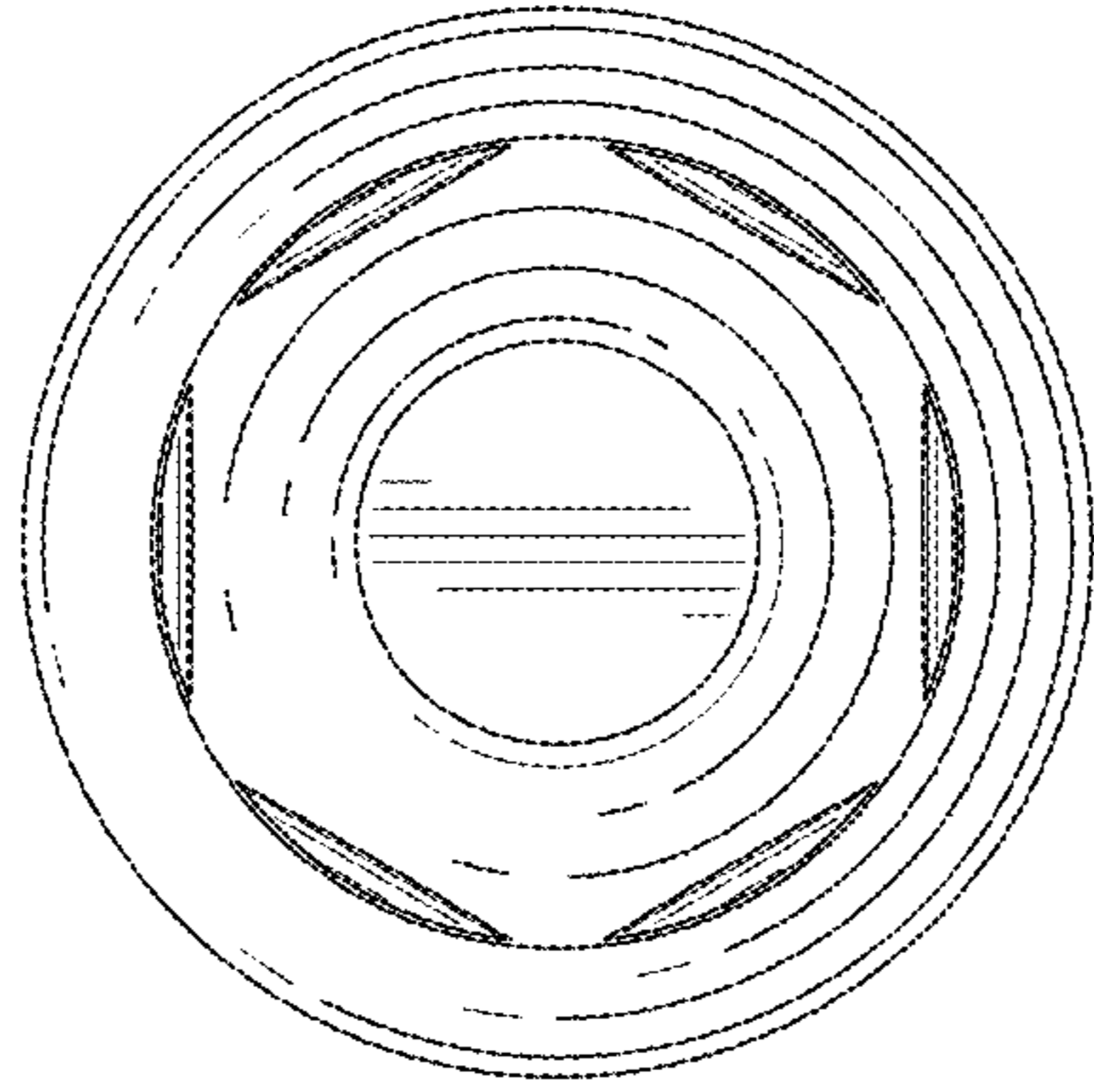


FIG. 9

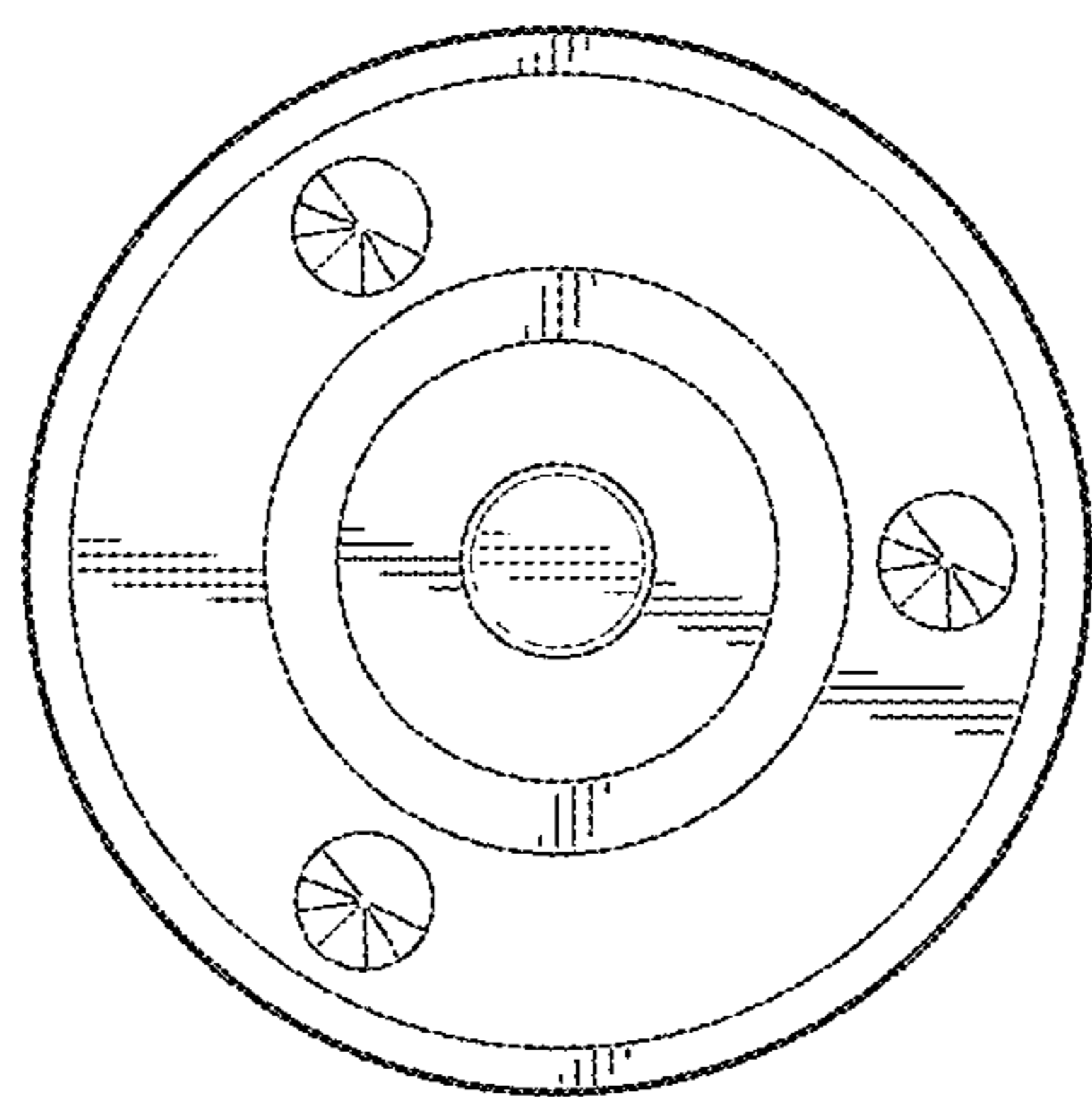


FIG. 8

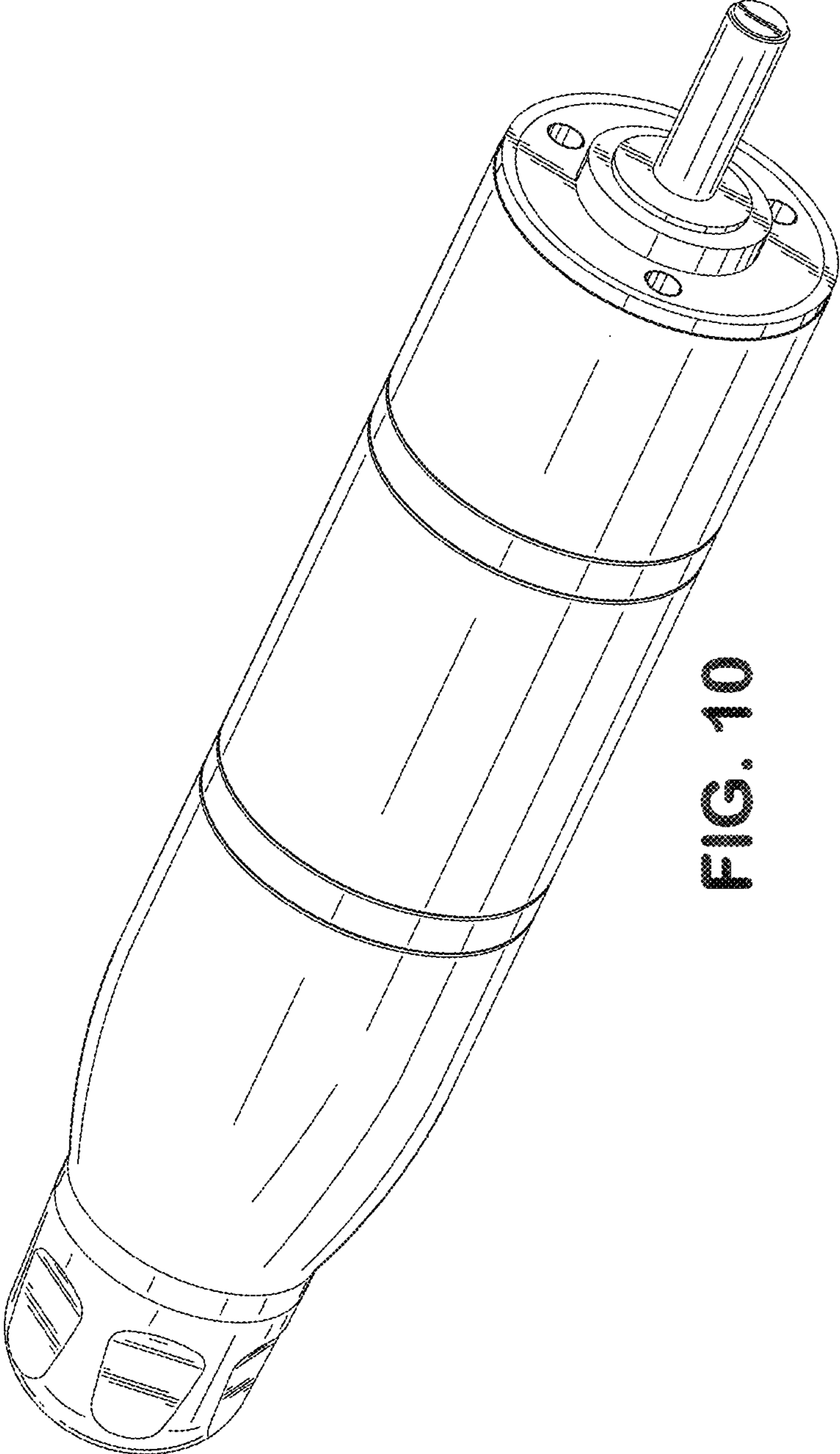


FIG. 10

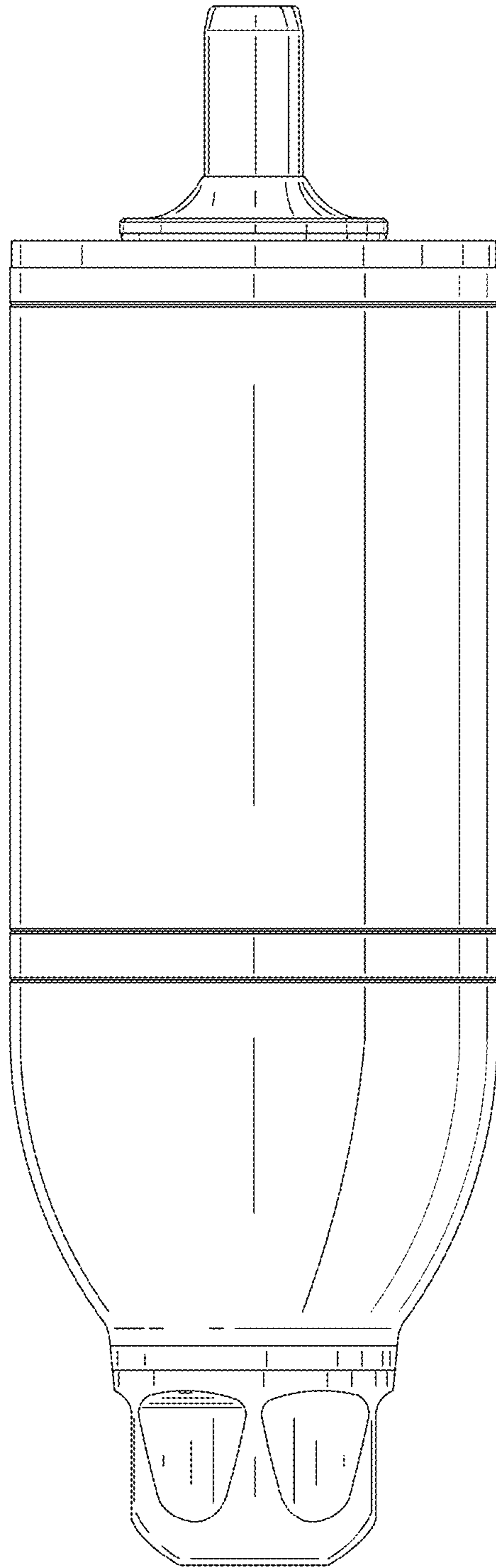


FIG. 11

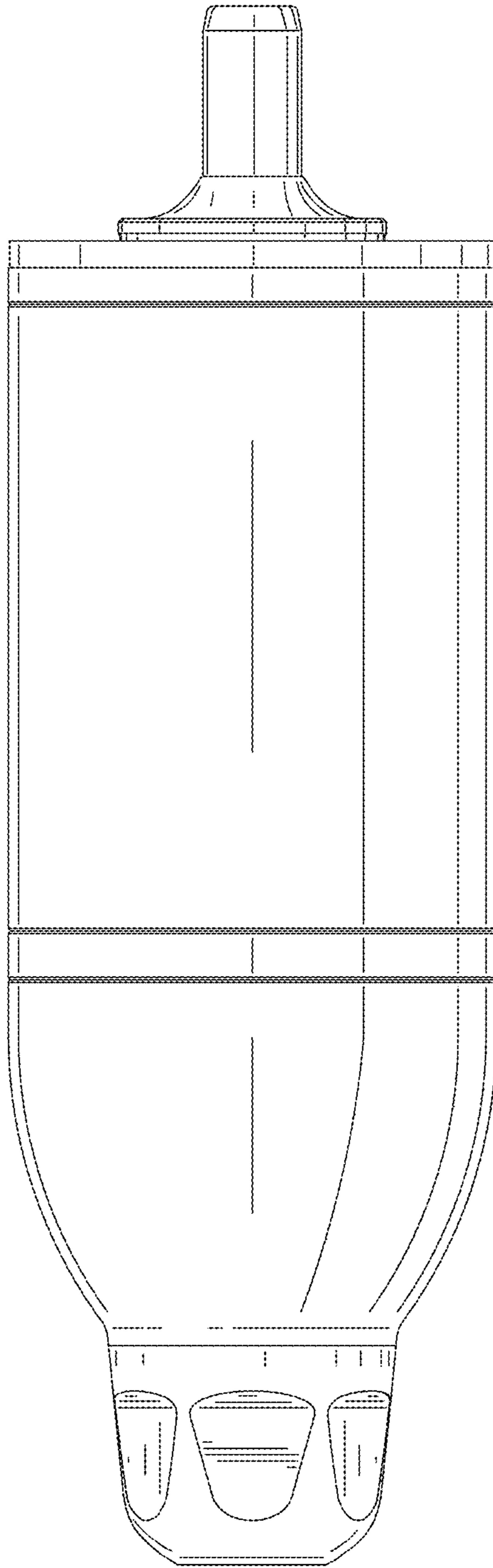


FIG. 12

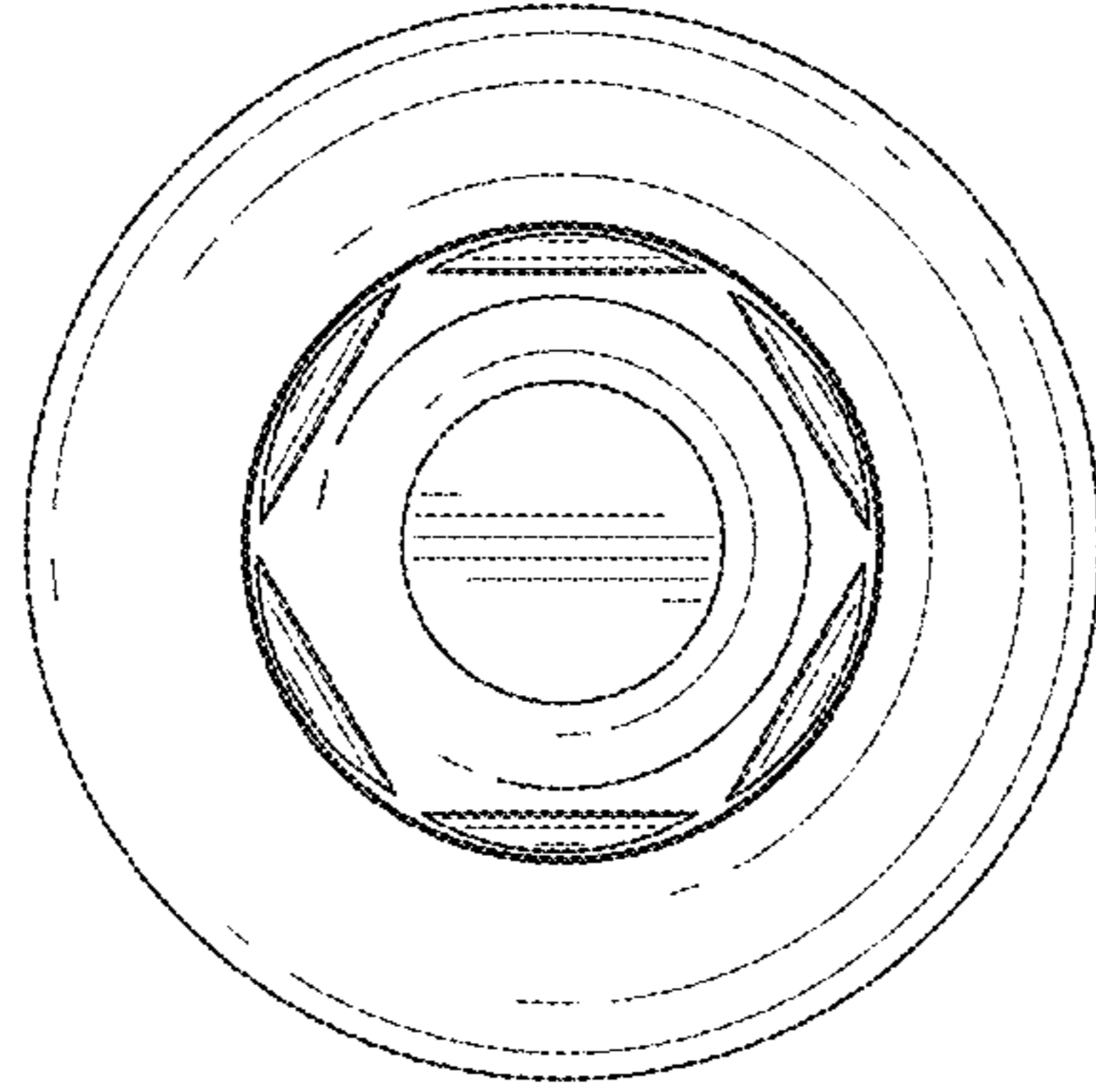


FIG. 14

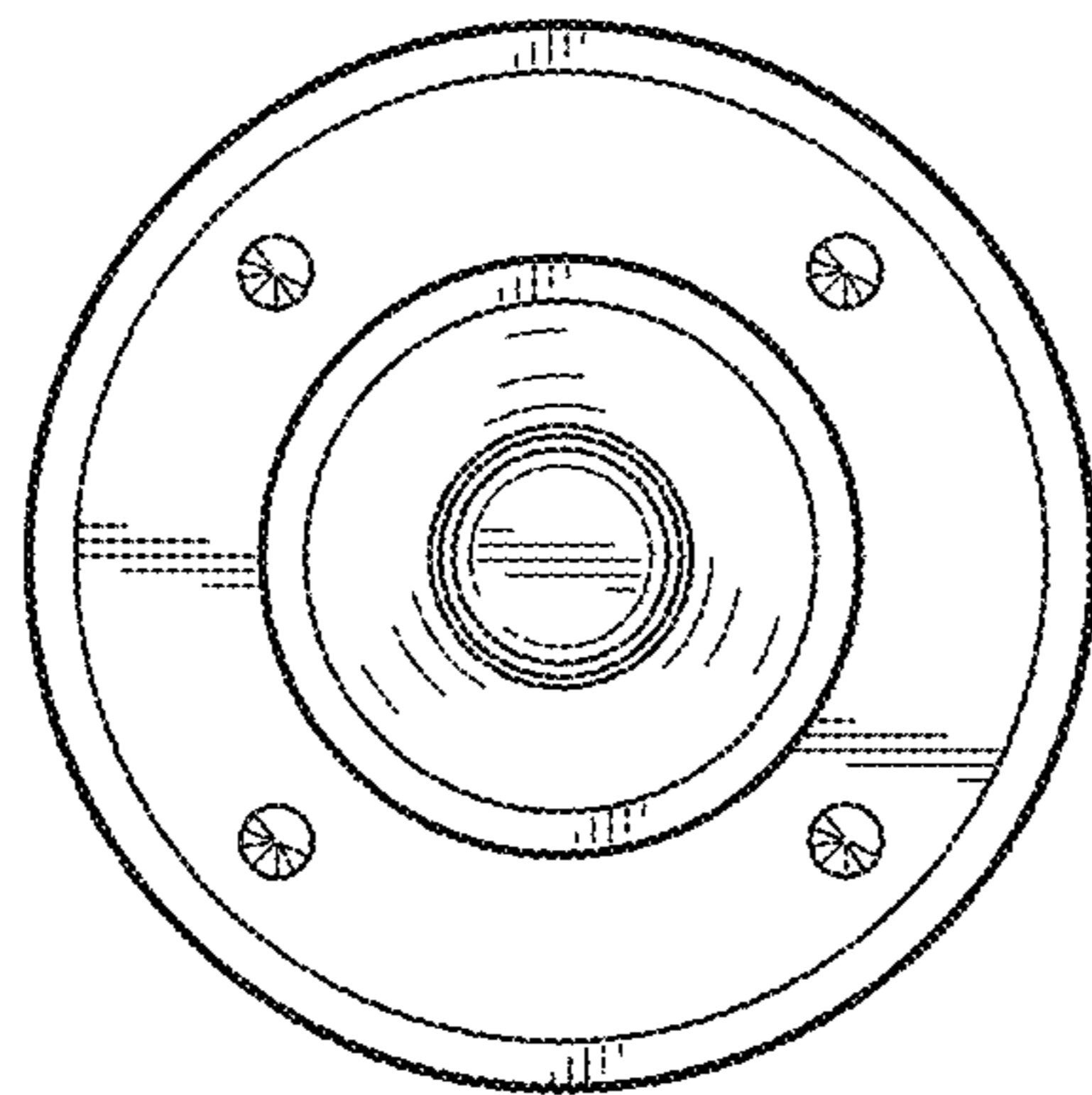


FIG. 13

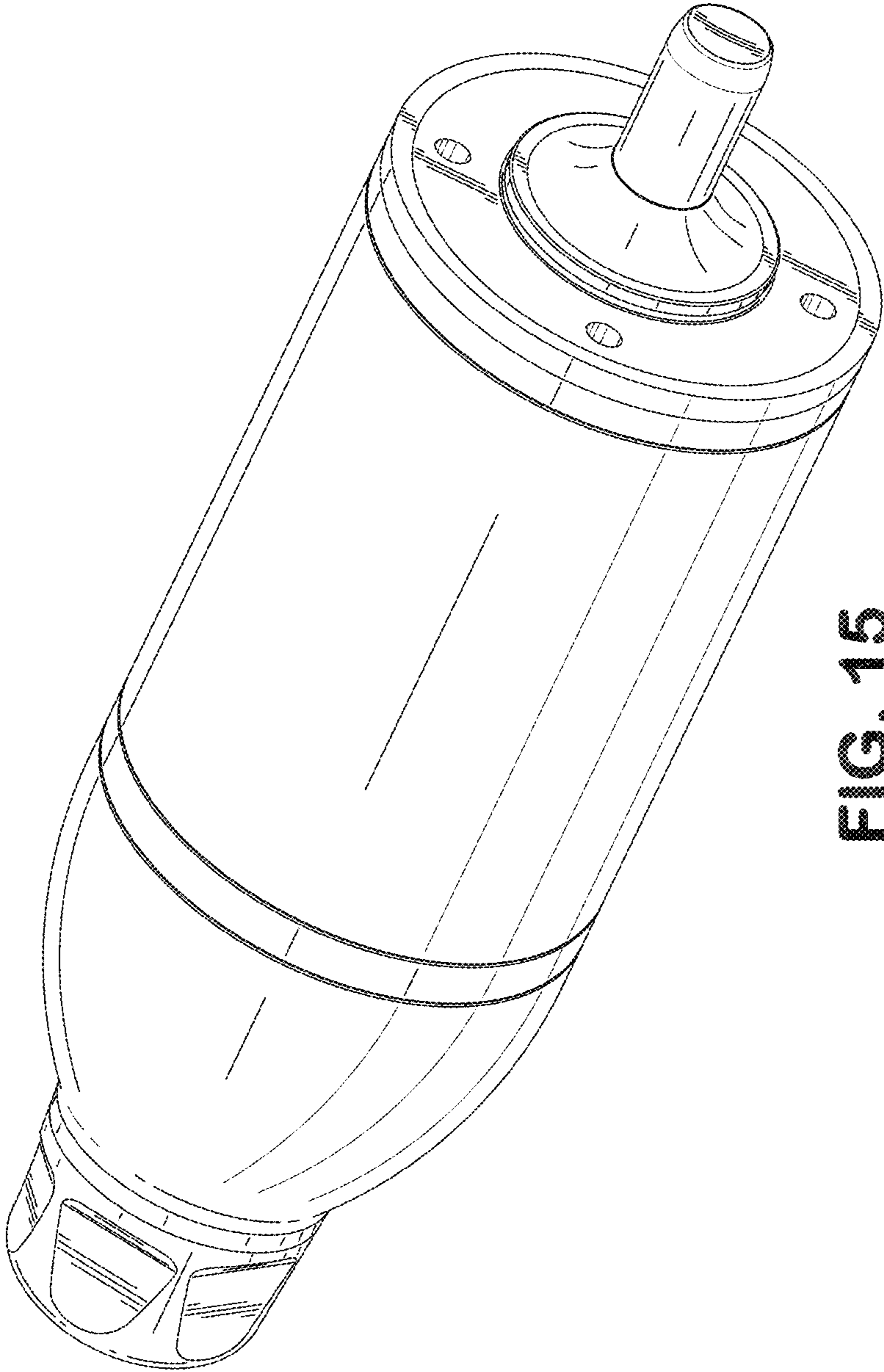


FIG. 15

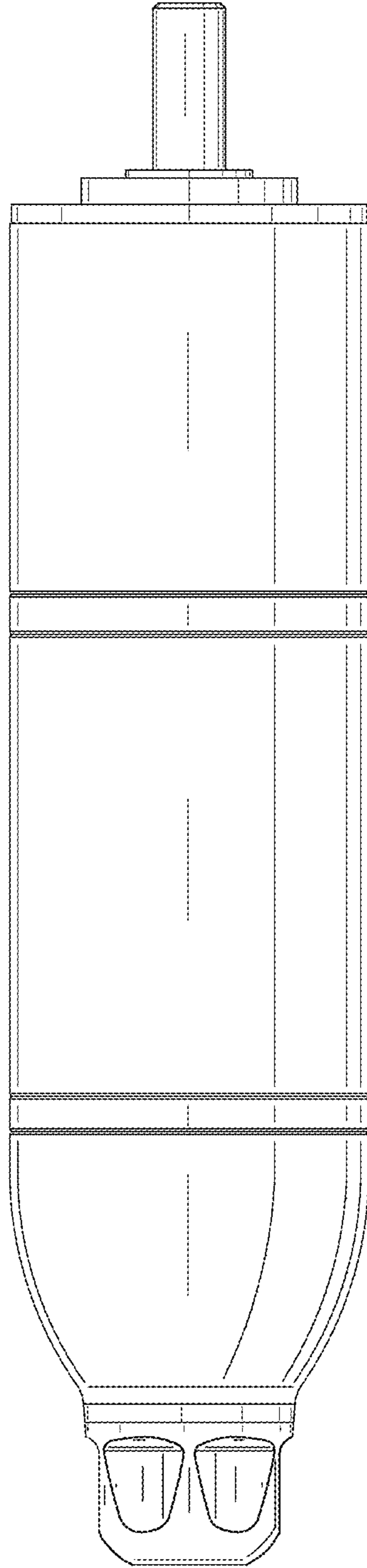


FIG. 16

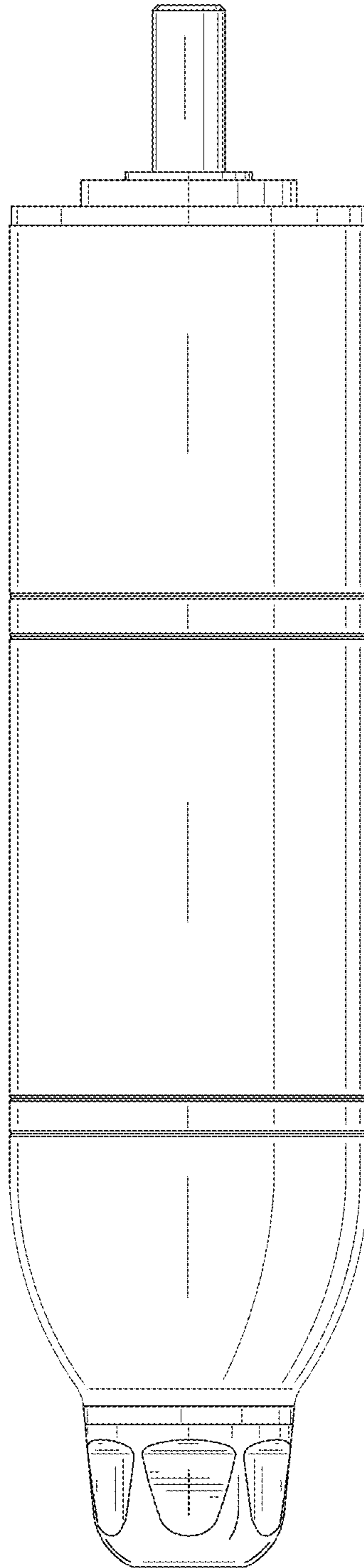


FIG. 17

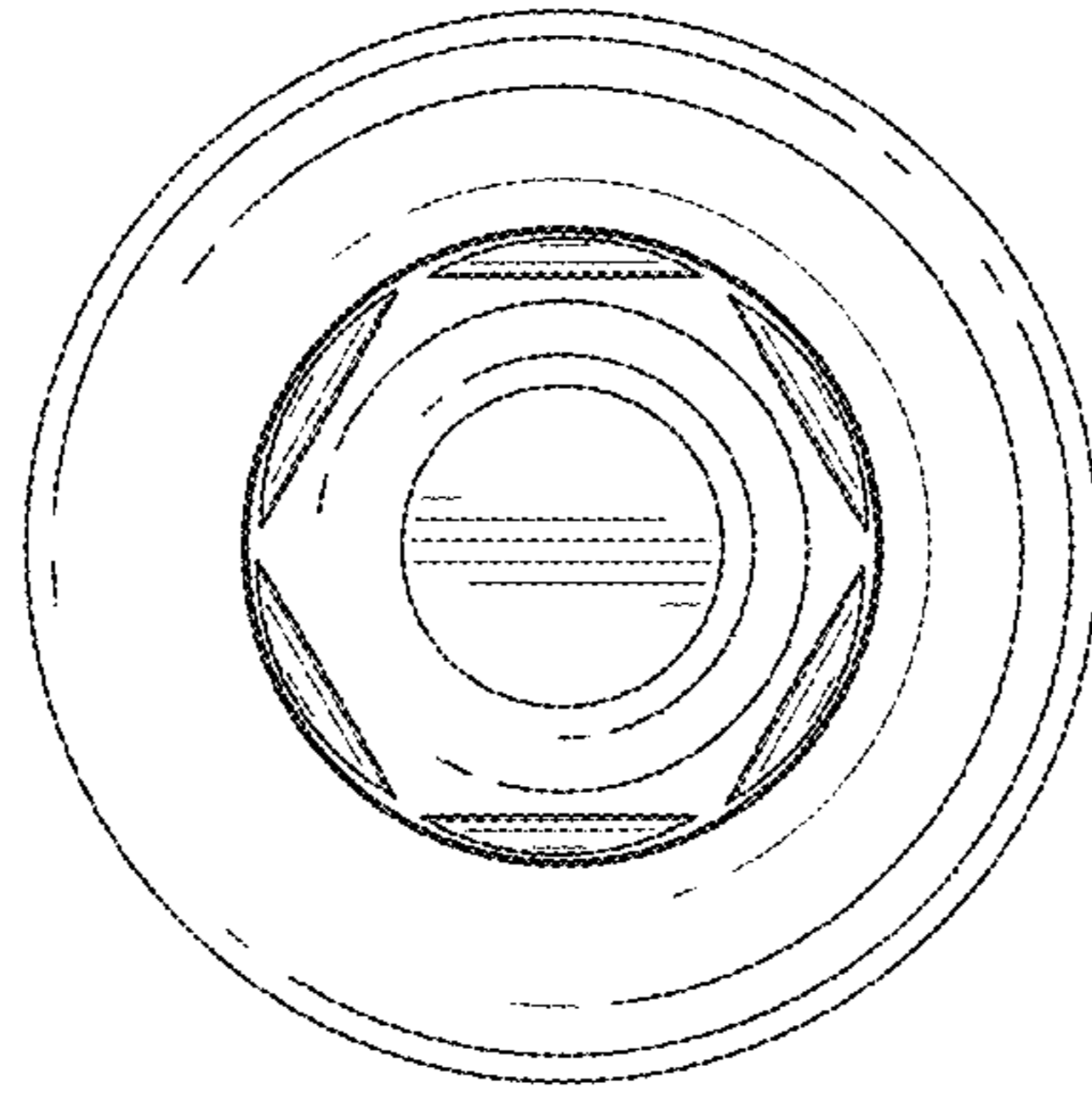


FIG. 19

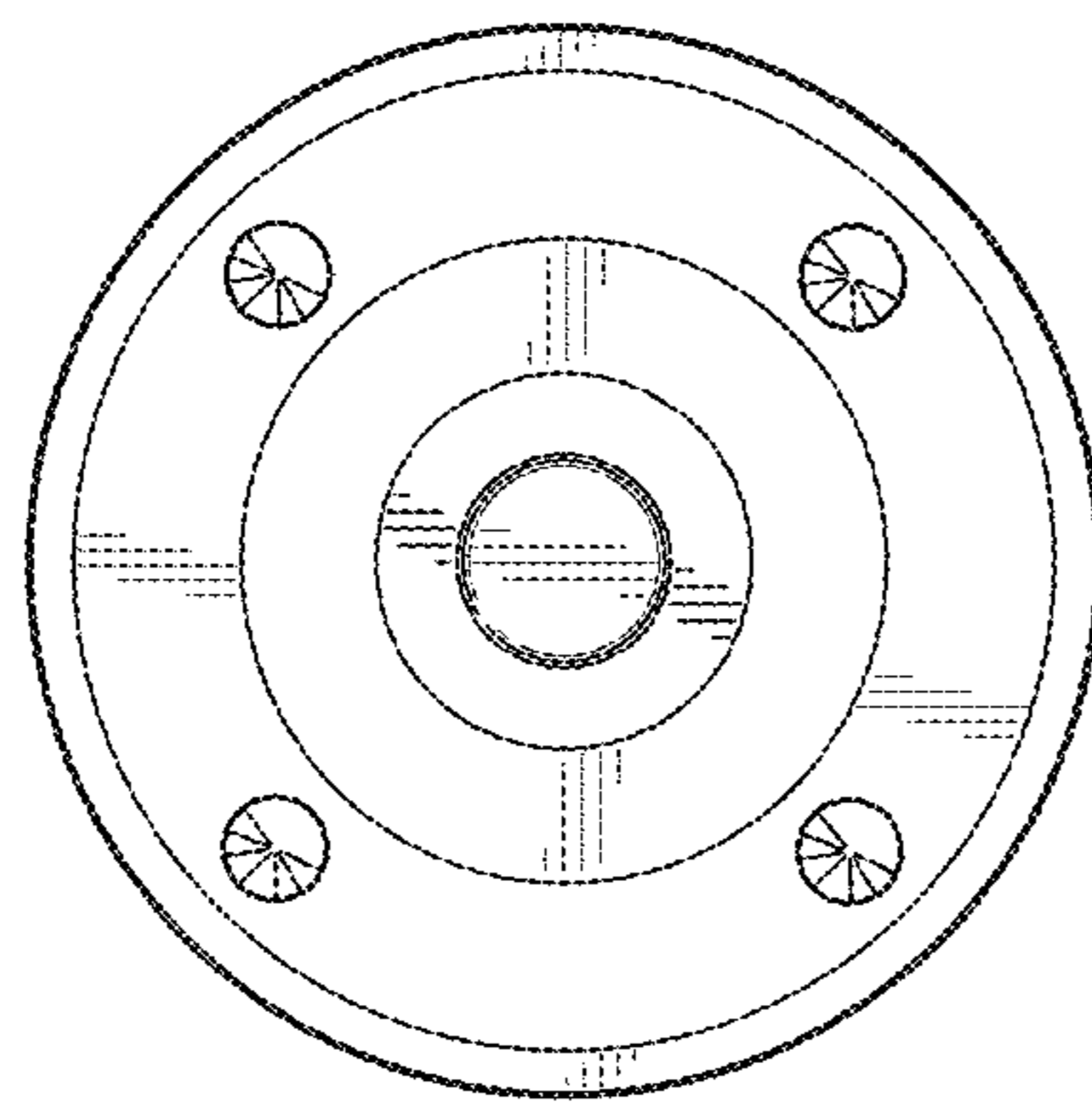


FIG. 18

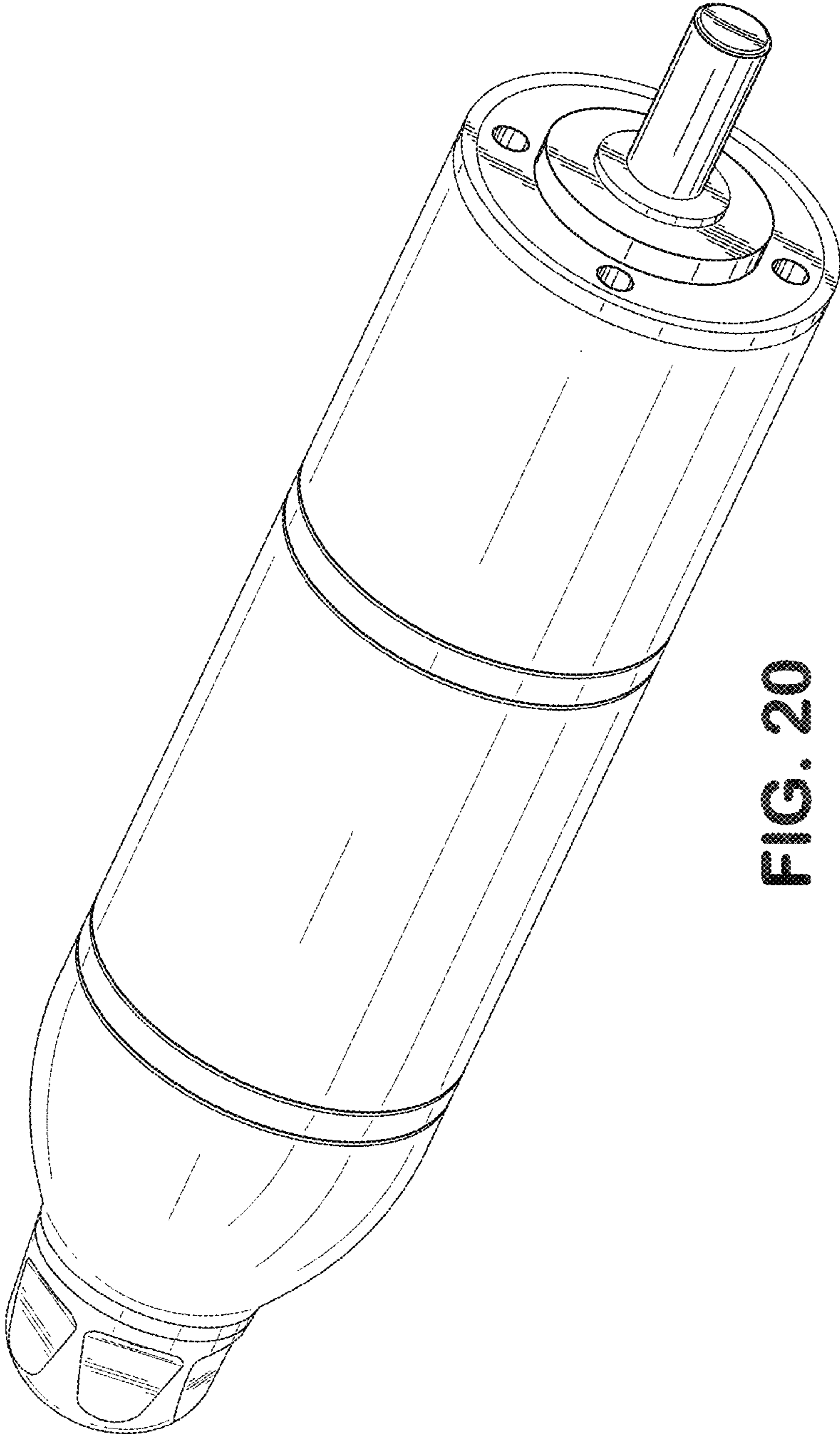


FIG. 20