



US00D780117S

(12) **United States Design Patent**
Nauroy

(10) **Patent No.:** **US D780,117 S**

(45) **Date of Patent:** **** Feb. 28, 2017**

- (54) **SMART WATCH DOCK**
- (71) Applicant: **Fabien Malcolm Nauroy**, Central Hong Kong (CN)
- (72) Inventor: **Fabien Malcolm Nauroy**, Central Hong Kong (CN)
- (**) Term: **15 Years**
- (21) Appl. No.: **29/537,687**
- (22) Filed: **Aug. 28, 2015**
- (51) **LOC (10) Cl.** **13-02**
- (52) **U.S. Cl.**
USPC **D13/108**; D14/217; D14/434
- (58) **Field of Classification Search**
USPC D13/107, 108, 109; D14/217, 434
CPC G06F 1/1632; G06F 1/263; H02J 7/0042;
H02J 7/0045; H02J 7/0047; H02J 7/025;
H02J 2007/0049; H02J 7/005
See application file for complete search history.

- D662,491 S * 6/2012 Andre D13/108
- 8,710,799 B2 * 4/2014 Lin H02J 7/0044
320/107
- D726,690 S * 4/2015 Andre D14/217
- D739,407 S * 9/2015 Son D14/434

* cited by examiner

Primary Examiner — Antoine D Davis

(74) *Attorney, Agent, or Firm* — Evergreen Valley Law Group; Kanika Radhakrishnan

(57) **CLAIM**

The ornamental design for a smart watch dock, as shown and described thereof.

DESCRIPTION

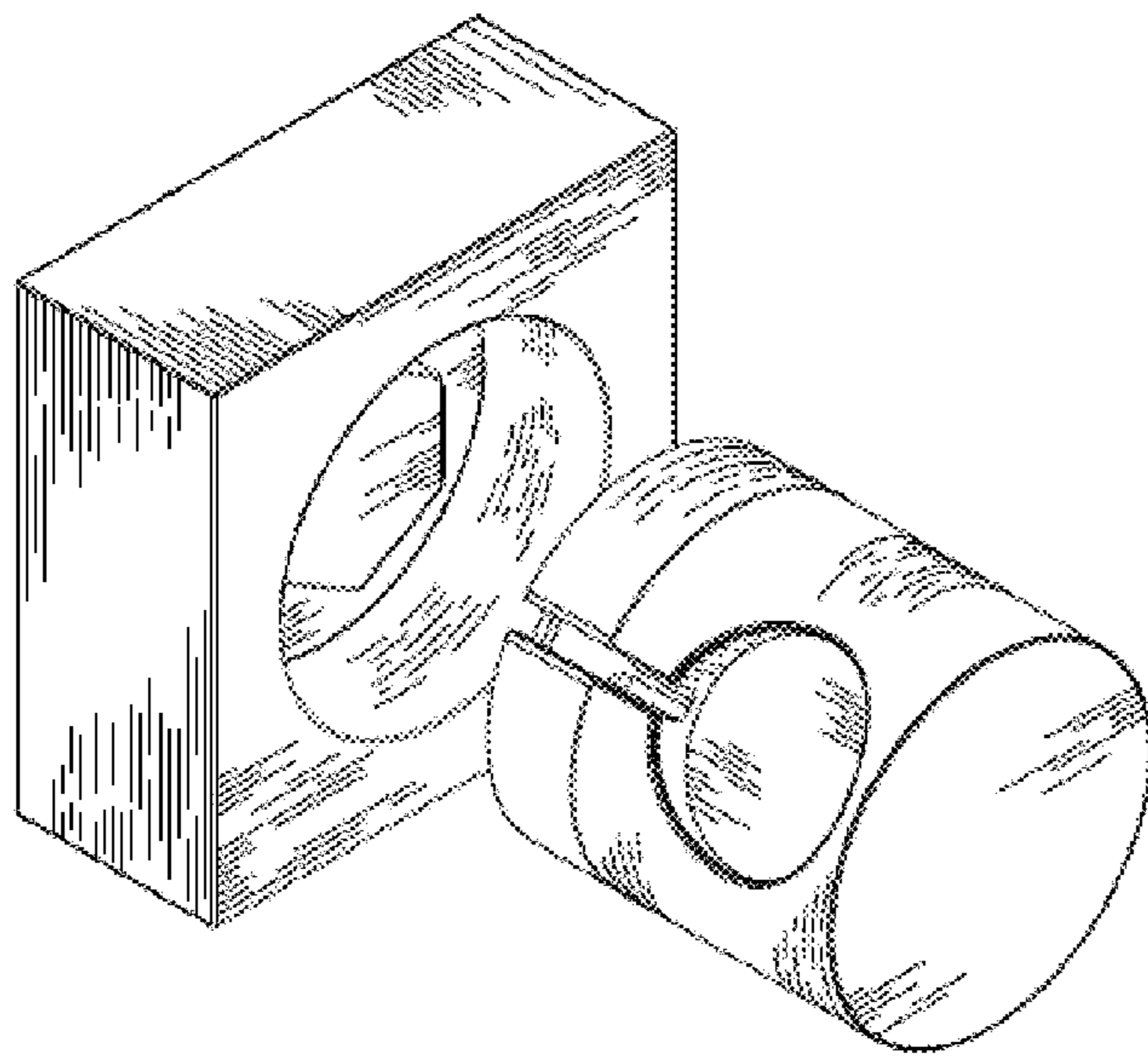
FIG. 1 illustrates the perspective view of the smart watch dock according to the present invention;
 FIG. 2 illustrates the front view of the smart watch dock according to the present invention;
 FIG. 3 illustrates the back view of the smart watch dock according to the present invention;
 FIG. 4 illustrates the right side view of the smart watch dock according to the present invention;
 FIG. 5 illustrates the left side view of the smart watch dock according to the present invention;
 FIG. 6 illustrates the top plan view of the smart watch dock according to the present invention;
 FIG. 7 illustrates the bottom plan view of the smart watch dock according to the present invention;
 FIG. 8 illustrates the alternate view of the smart watch dock according to the present invention; and,
 FIG. 9 illustrates the exploded view of the smart watch dock according to the present invention.

1 Claim, 9 Drawing Sheets

(56) **References Cited**

U.S. PATENT DOCUMENTS

- D327,248 S * 6/1992 Hotsumi D13/108
- D374,858 S * 10/1996 Chu D13/108
- 5,814,968 A * 9/1998 Lovegreen H01M 2/1022
320/113
- D643,831 S * 8/2011 Chun D13/108
- 8,054,042 B2 * 11/2011 Griffin, Jr. H02J 7/0027
320/107



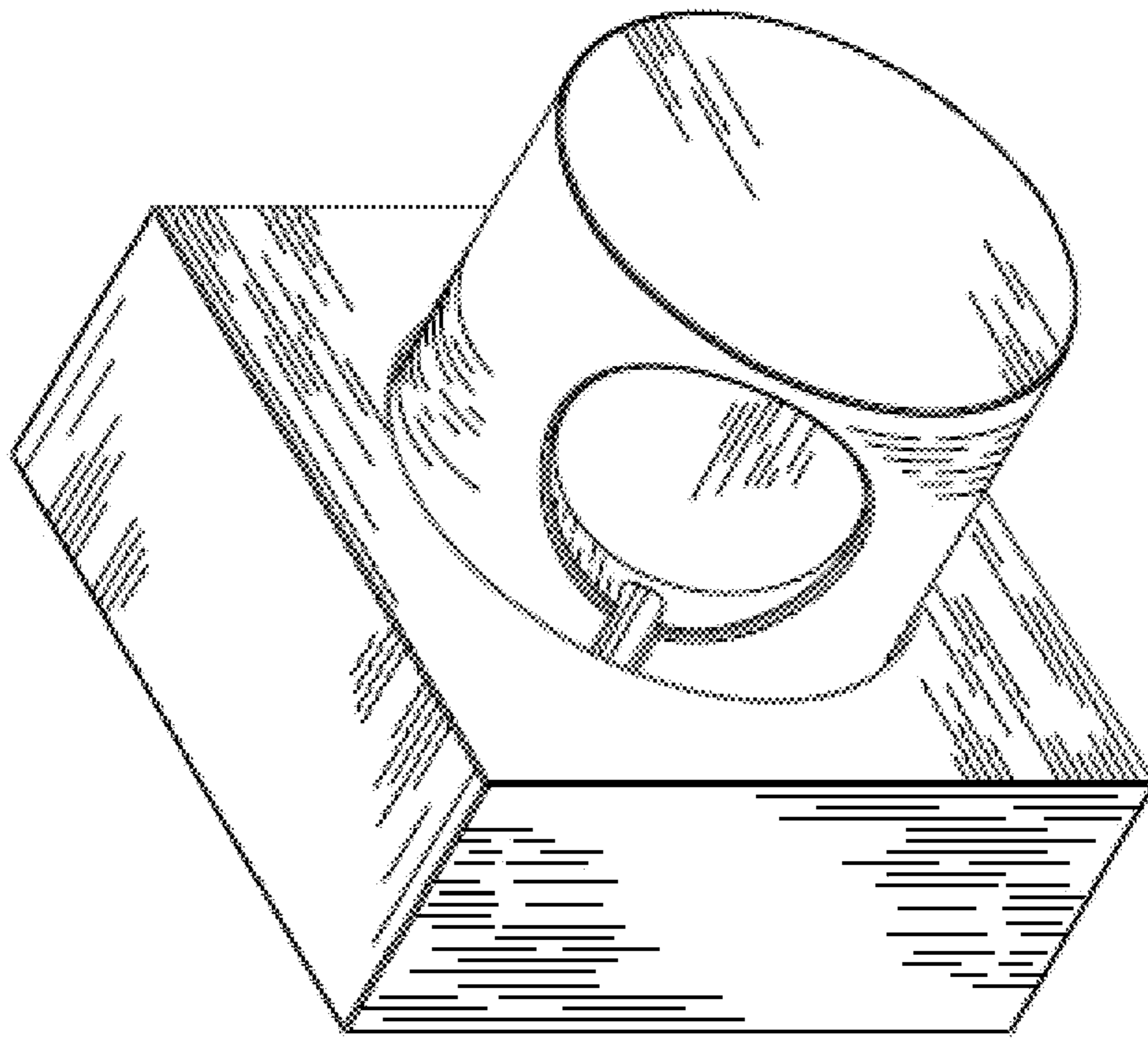


FIG. 1

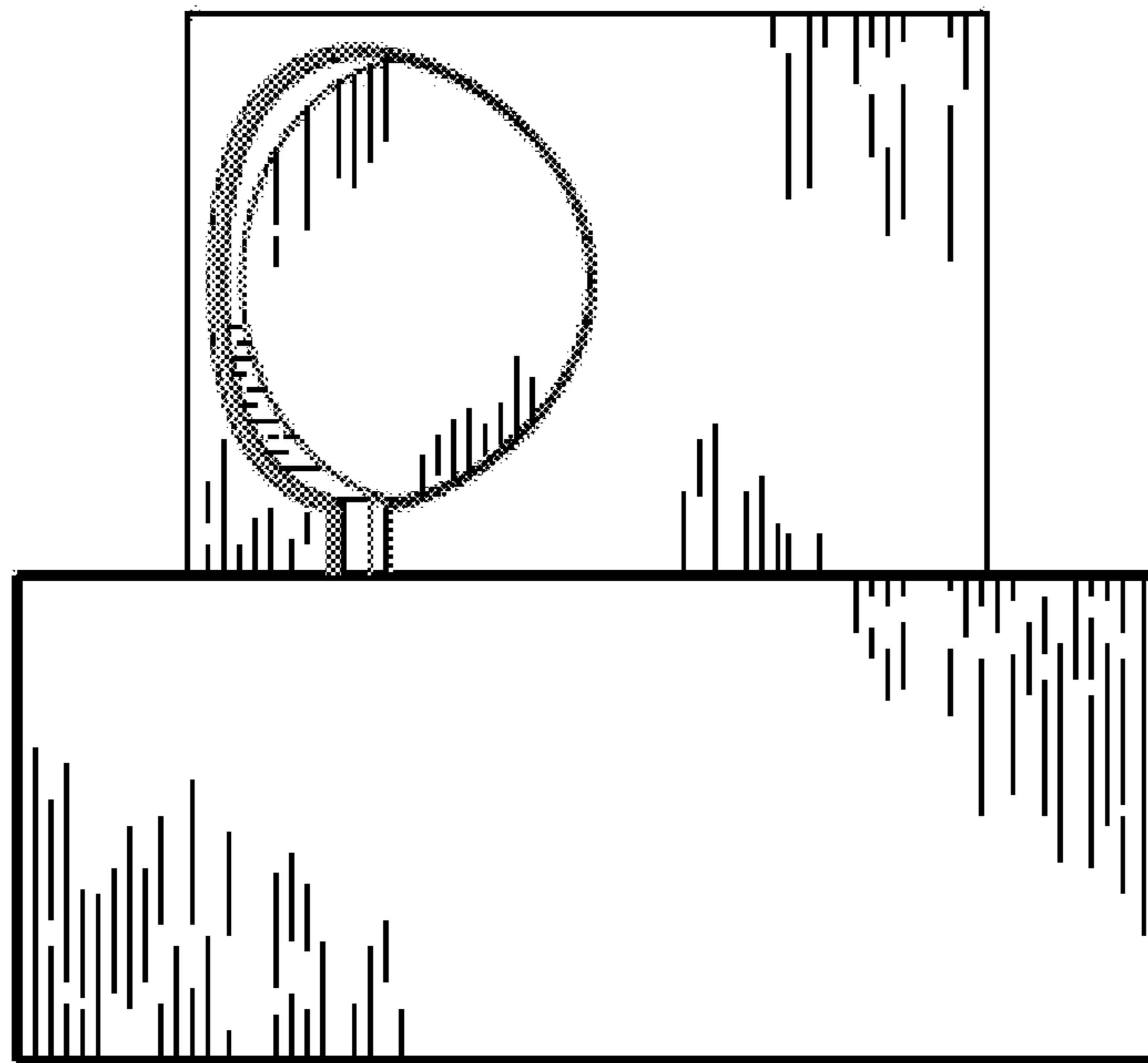


FIG. 2

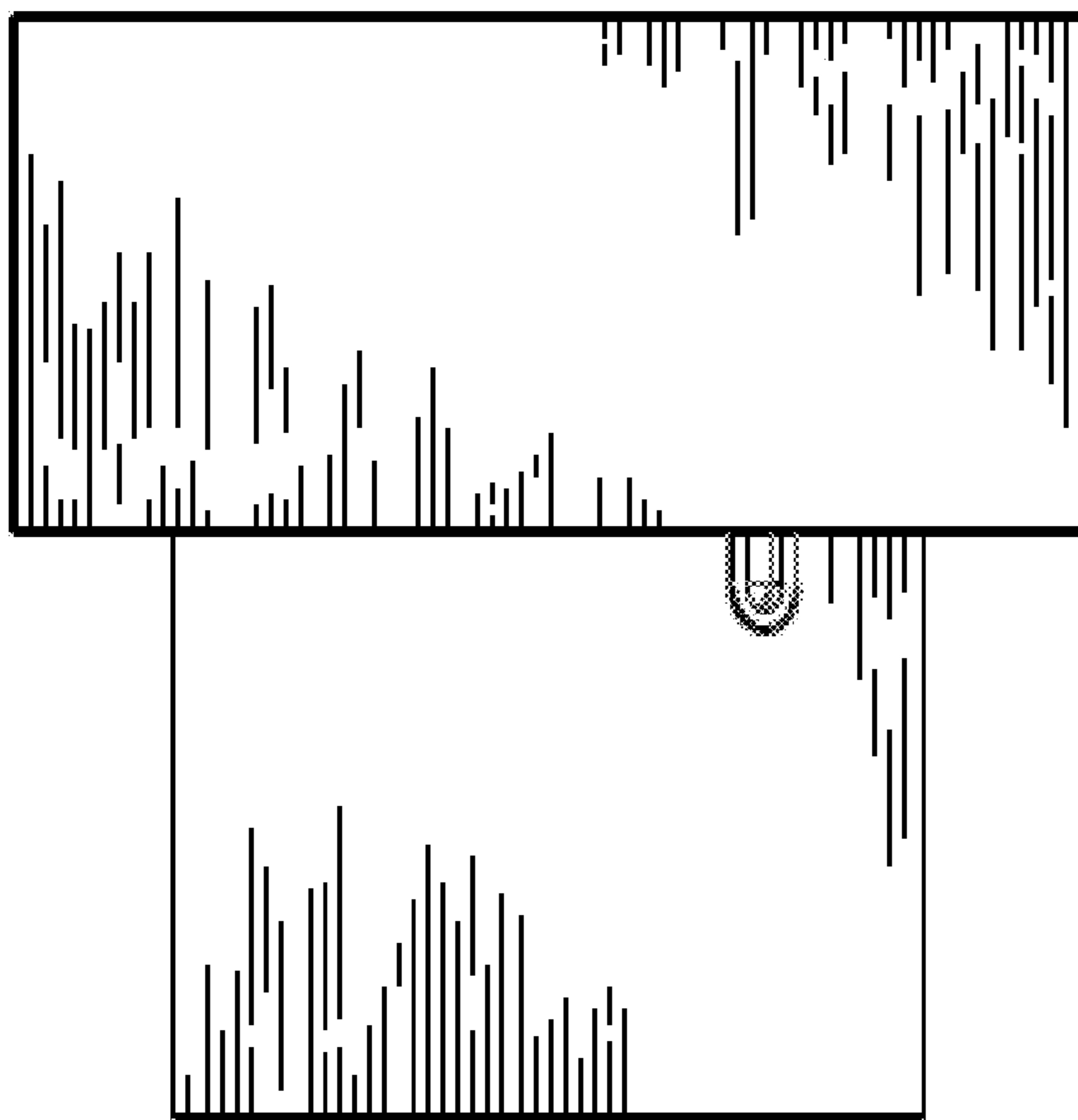


FIG. 3

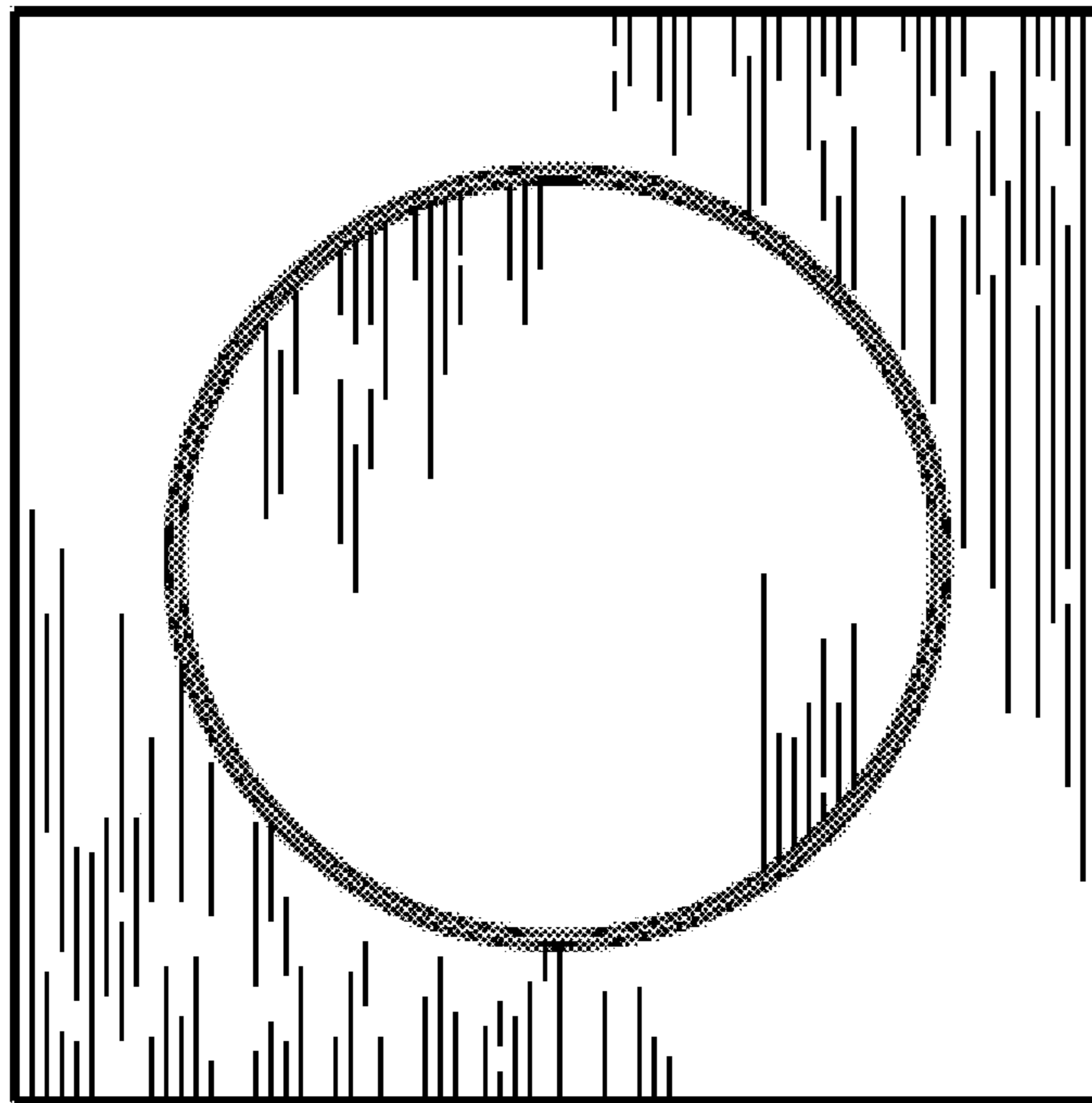


FIG. 4

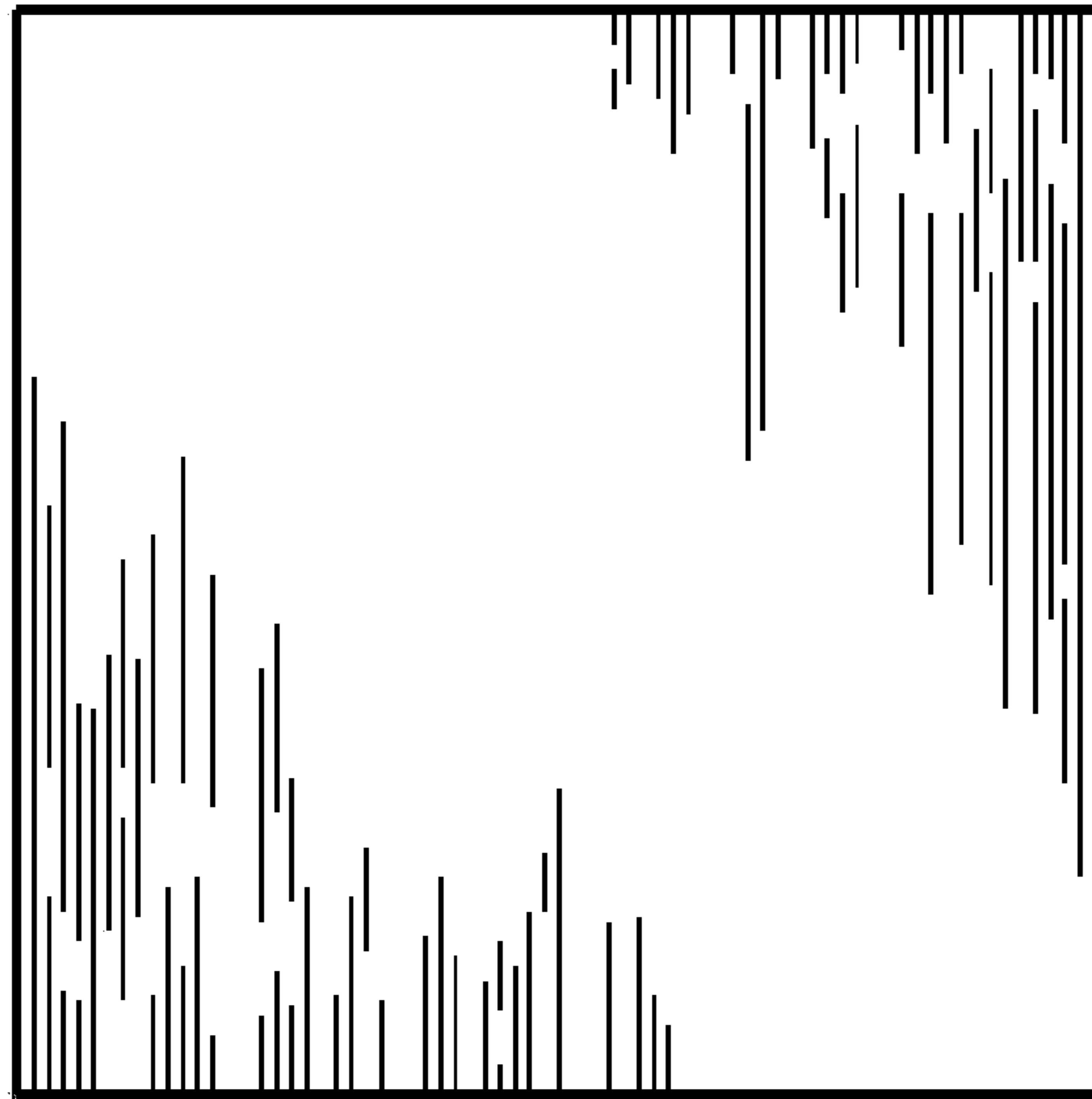


FIG. 5

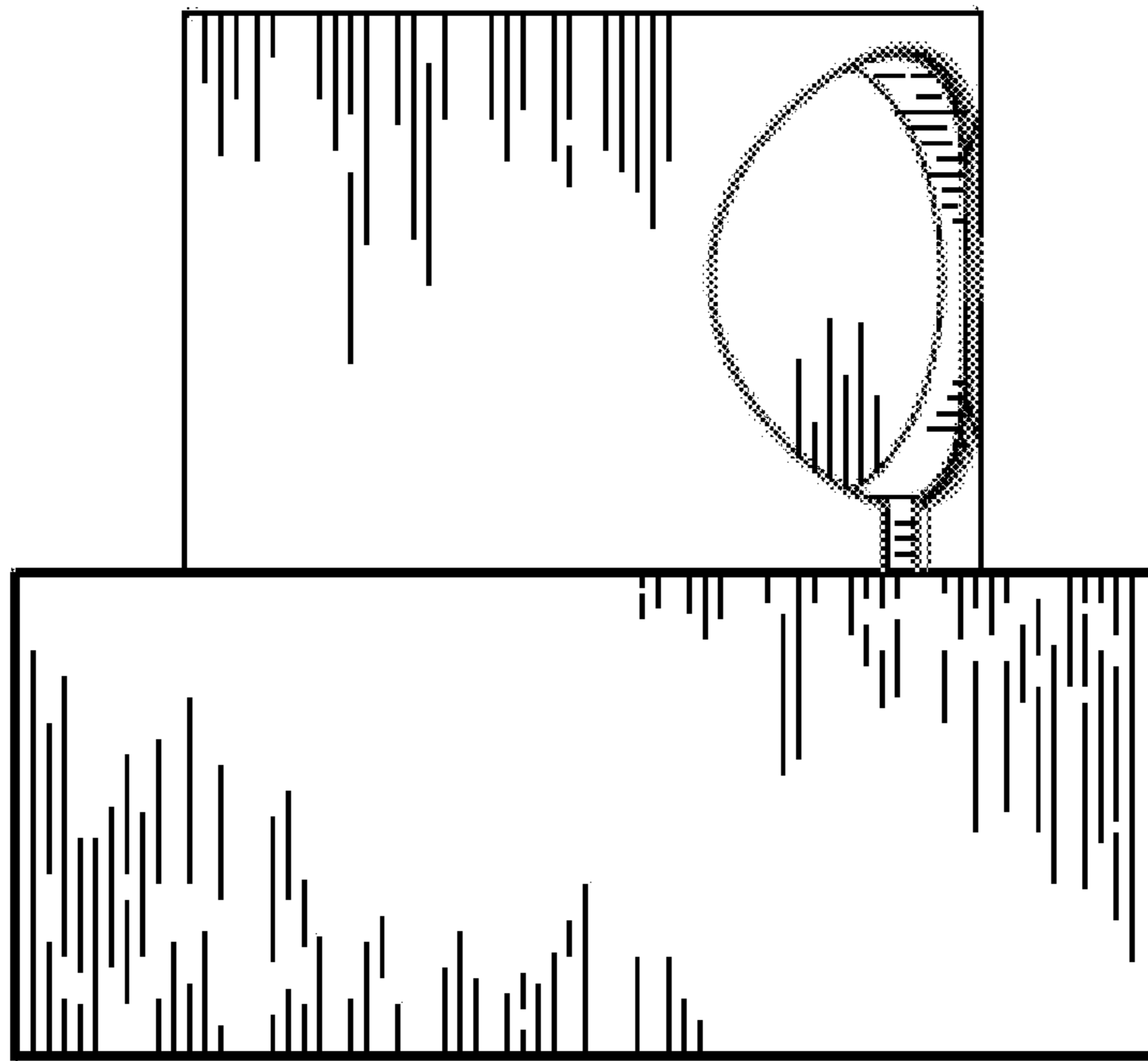


FIG. 6

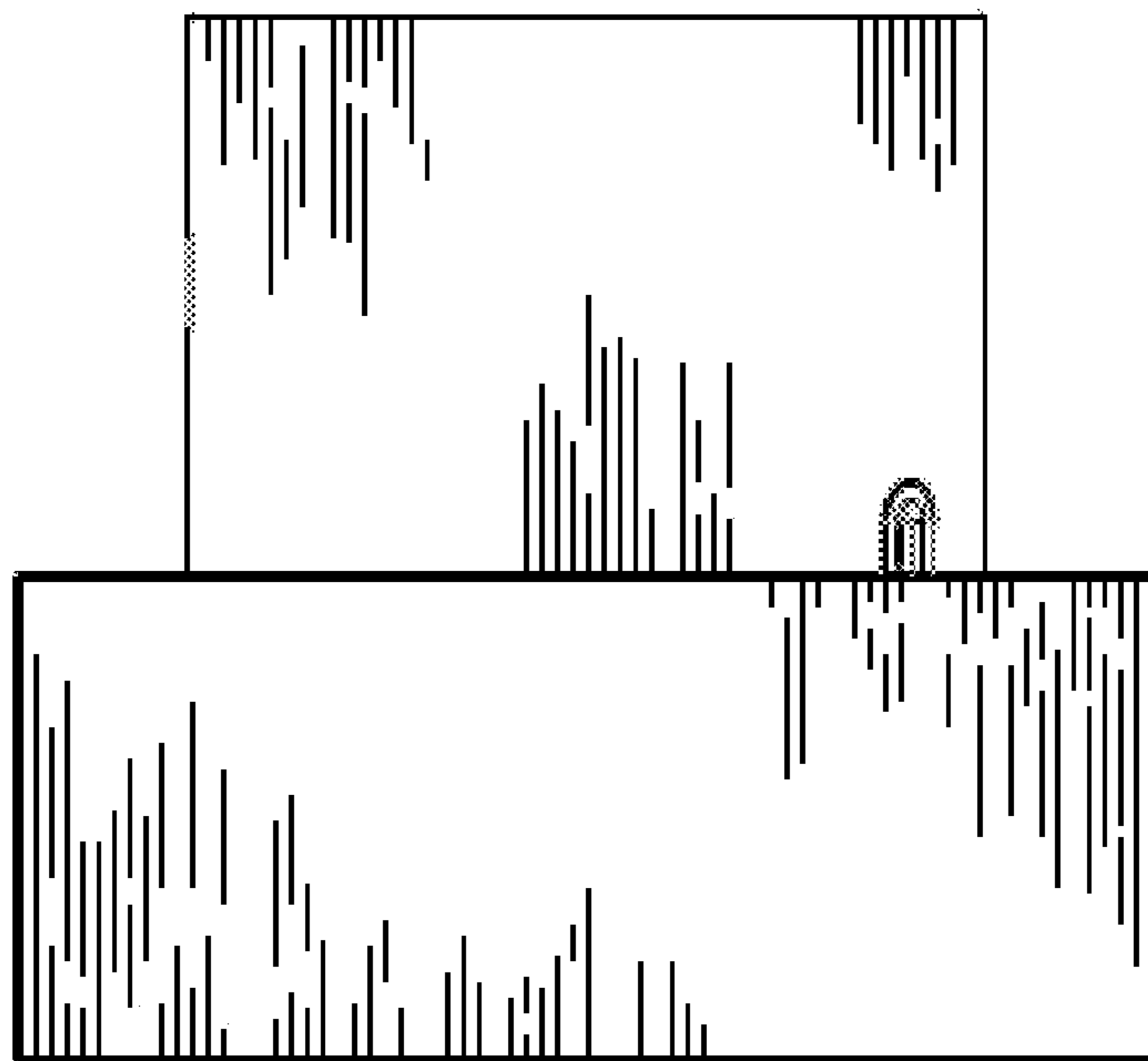


FIG. 7

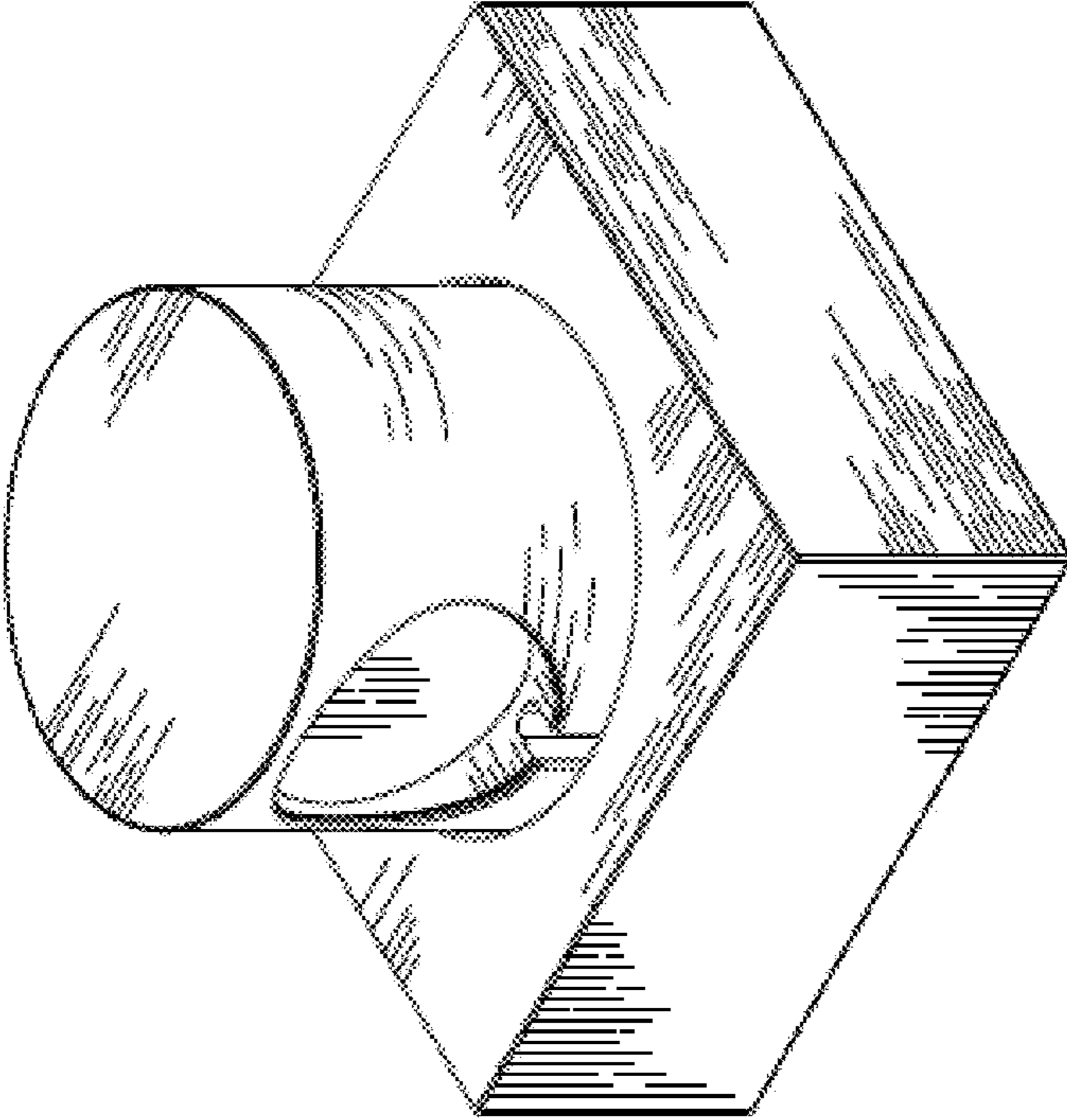


FIG. 8

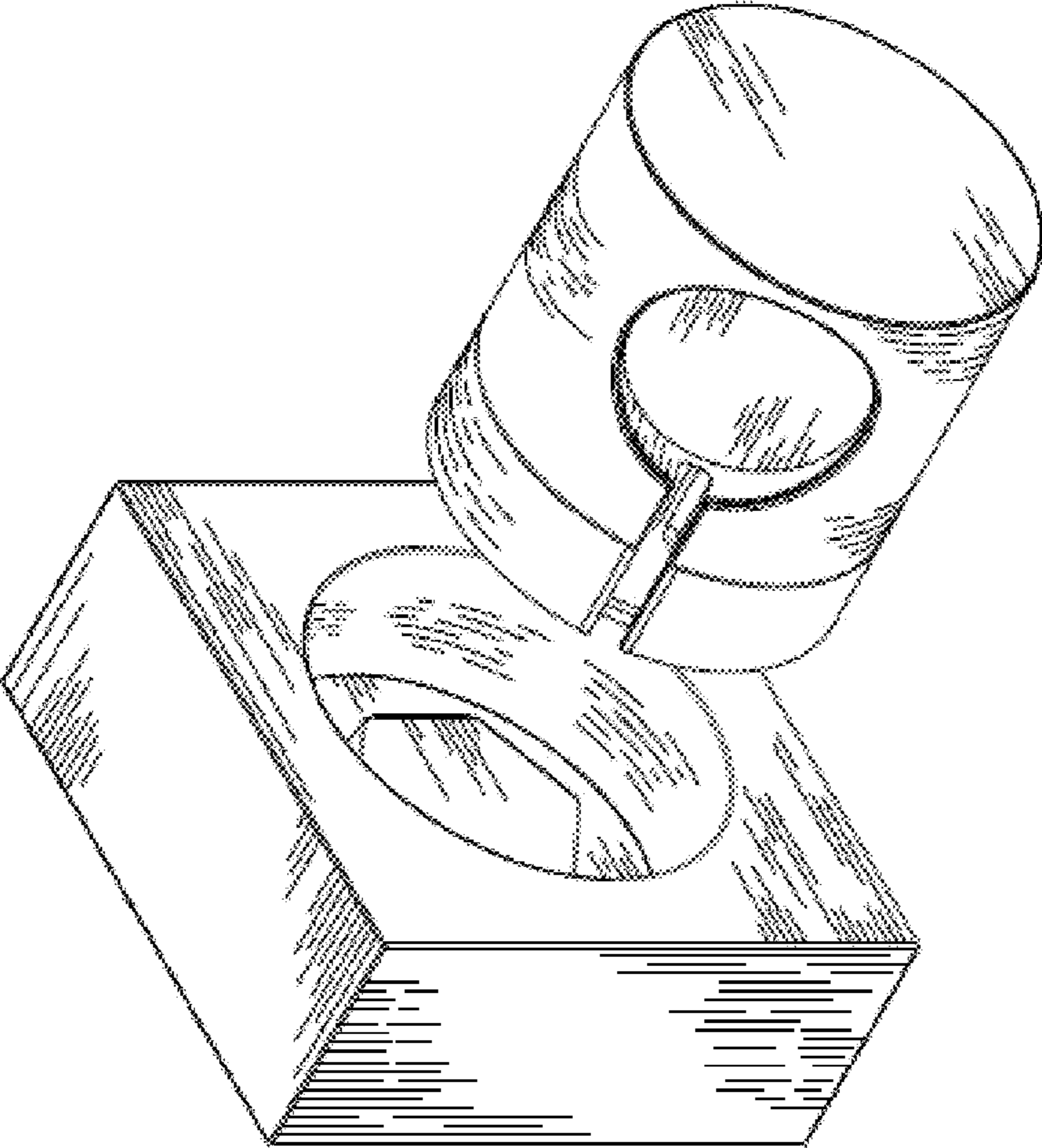


FIG. 9