



US00D780114S

(12) **United States Design Patent** (10) **Patent No.:** **US D780,114 S**  
**Yueh** (45) **Date of Patent:** **\*\* Feb. 28, 2017**

(54) **USB CHARGER BASE**

(71) Applicant: **Chao-Yu Yueh**, Taipei (TW)

(72) Inventor: **Chao-Yu Yueh**, Taipei (TW)

(73) Assignee: **FUTUREPATH TECHNOLOGY (SHENZHEN) CO., LTD.**, Shenzhen (CN)

(\*\*) Term: **14 Years**

(21) Appl. No.: **29/521,447**

(22) Filed: **Mar. 24, 2015**

(30) **Foreign Application Priority Data**

Dec. 18, 2014 (TW) ..... 103307451

(51) **LOC (10) Cl.** ..... **13-02**

(52) **U.S. Cl.**  
USPC ..... **D13/107**

(58) **Field of Classification Search**  
USPC ..... D13/102–110, 118–119, 184, 199;  
D14/251, 253, 432, 434

CPC ..... Y02E 60/10; Y02E 60/12; Y02E 60/122;  
Y02E 60/124; Y02E 60/50; H01M 2/02;  
H01M 2/022; H01M 2/0202; H01M  
2/0207; H01M 2/0212; H01M 2/1061;  
H01M 2/1022; H01M 2/1055; H01M  
2/1066; H01M 2/105; H01M 2/20; H01M  
2/202; H01M 2/204; H01M 2/206; H01M  
10/44; H01M 10/46; H01M 10/465;  
H01M 10/482; H01M 2200/30; H01M  
2250/30; H01M 2250/40; H02J 7/00;  
H02J 7/0003; H02J 7/0011; H02J 7/0013;  
H02J 7/0054; H02J 7/0055; H02J 7/0057;  
H02J 2007/0062

See application file for complete search history.

(56) **References Cited**

U.S. PATENT DOCUMENTS

D620,884 S *	8/2010	Lee	.....	D13/108
D625,262 S *	10/2010	Lee	.....	D13/118
D636,724 S *	4/2011	Nomi	.....	D13/108
D654,431 S *	2/2012	Stephanchick	.....	D13/108
D654,866 S *	2/2012	Rautiainen	.....	D13/108
D668,605 S *	10/2012	Park	.....	D13/108
D694,182 S *	11/2013	Lee	.....	D13/108
D694,707 S *	12/2013	Zeng	.....	D13/108
D696,190 S *	12/2013	Brandtman	.....	D13/108
D697,027 S *	1/2014	Ho	.....	D13/108
D718,233 S *	11/2014	Aumiller	.....	D13/108

(Continued)

*Primary Examiner* — Rosemary K Tarcza

*Assistant Examiner* — Nathaniel D Buckner

(74) *Attorney, Agent, or Firm* — McClure, Qualey & Rodack, LLP

(57) **CLAIM**

The ornamental design for a USB charger base, as shown and described.

**DESCRIPTION**

FIG. 1 is a perspective view of a USB charger base, showing my new design;

FIG. 2 is a bottom perspective view for the USB charger base;

FIG. 3 is a top plan view of the USB charger base;

FIG. 4 is a bottom plan view of the USB charger base;

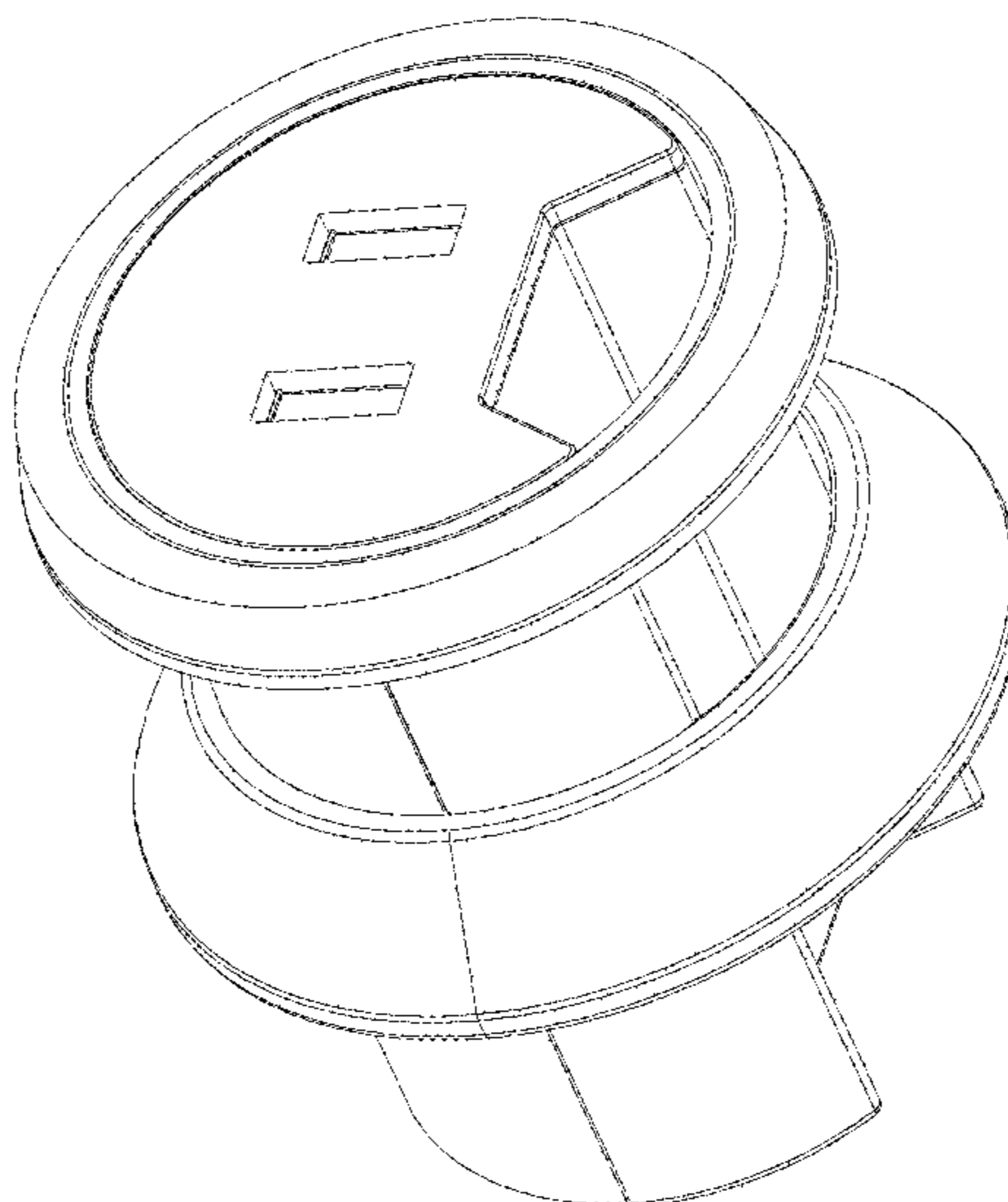
FIG. 5 is a left side view of the USB charger base;

FIG. 6 is a right side view for the USB charger base;

FIG. 7 is a rear view of the USB charger base; and,

FIG. 8 is a front view of the USB charger base.

**1 Claim, 5 Drawing Sheets**



(56)

**References Cited**

U.S. PATENT DOCUMENTS

D718,236	S	*	11/2014	Murray	.....	D13/108
D719,146	S	*	12/2014	Herbst	.....	D14/253
D720,288	S	*	12/2014	Ko	.....	D13/108
D720,289	S	*	12/2014	Chiang	.....	D13/108
D725,034	S	*	3/2015	Chen	.....	D13/108
D727,260	S	*	4/2015	Aumiller	.....	D13/108
D735,131	S	*	7/2015	Akana	.....	D13/108
D737,760	S	*	9/2015	Kyriakoulis	.....	D13/108
D738,303	S	*	9/2015	Symons	.....	D13/108
D740,750	S	*	10/2015	Mayden	.....	D13/108
D741,256	S	*	10/2015	Murphy-Reinhertz	.....	D13/108
D742,823	S	*	11/2015	Nitz	.....	D13/103
D746,772	S	*	1/2016	Aumiller	.....	D13/108
D747,267	S	*	1/2016	Aumiller	.....	D13/108
D748,575	S	*	2/2016	Bulgarov	.....	D13/108
D749,044	S	*	2/2016	Huang	.....	D13/108
D749,504	S	*	2/2016	Jeong	.....	D13/108

\* cited by examiner

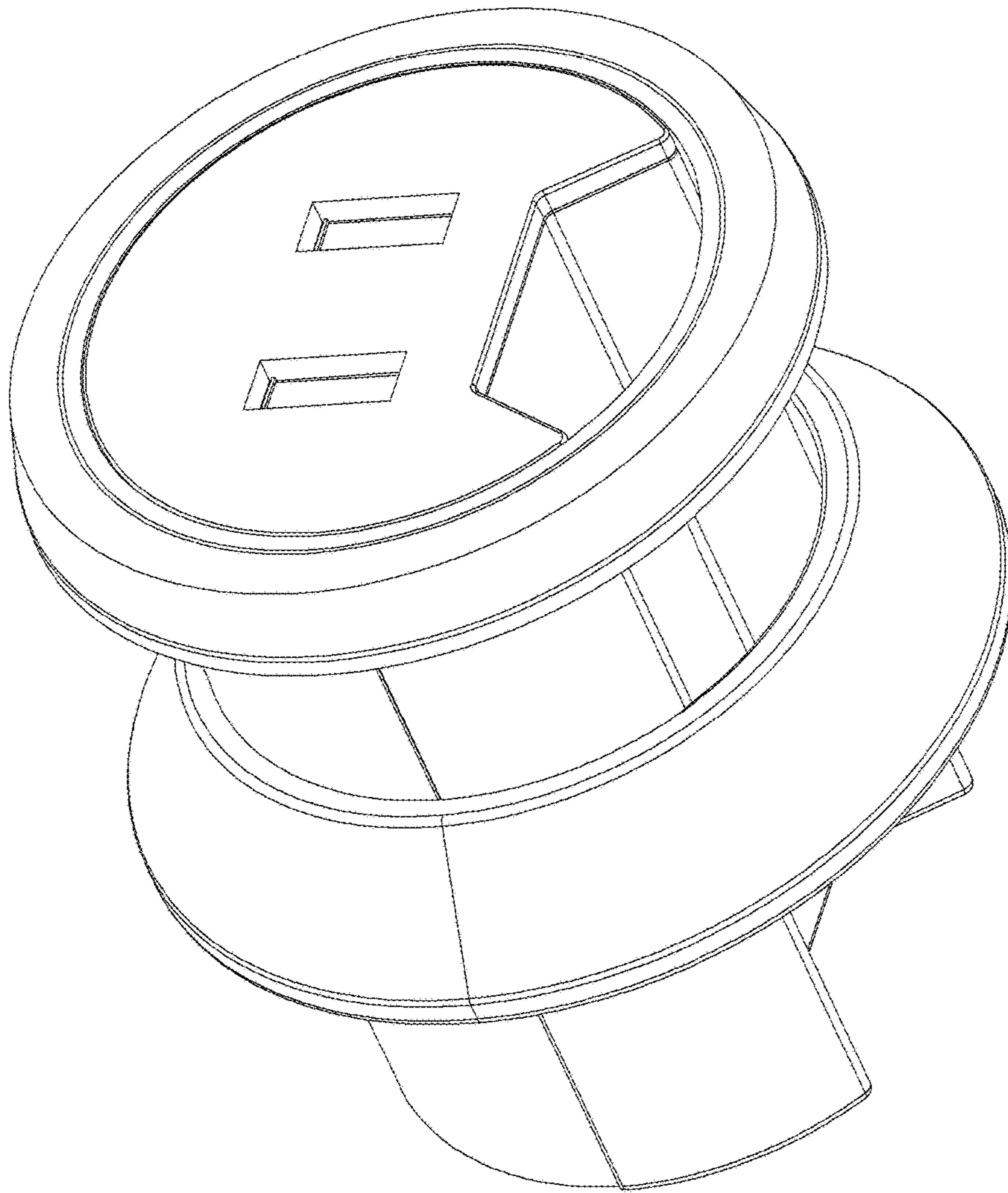


FIG. 1

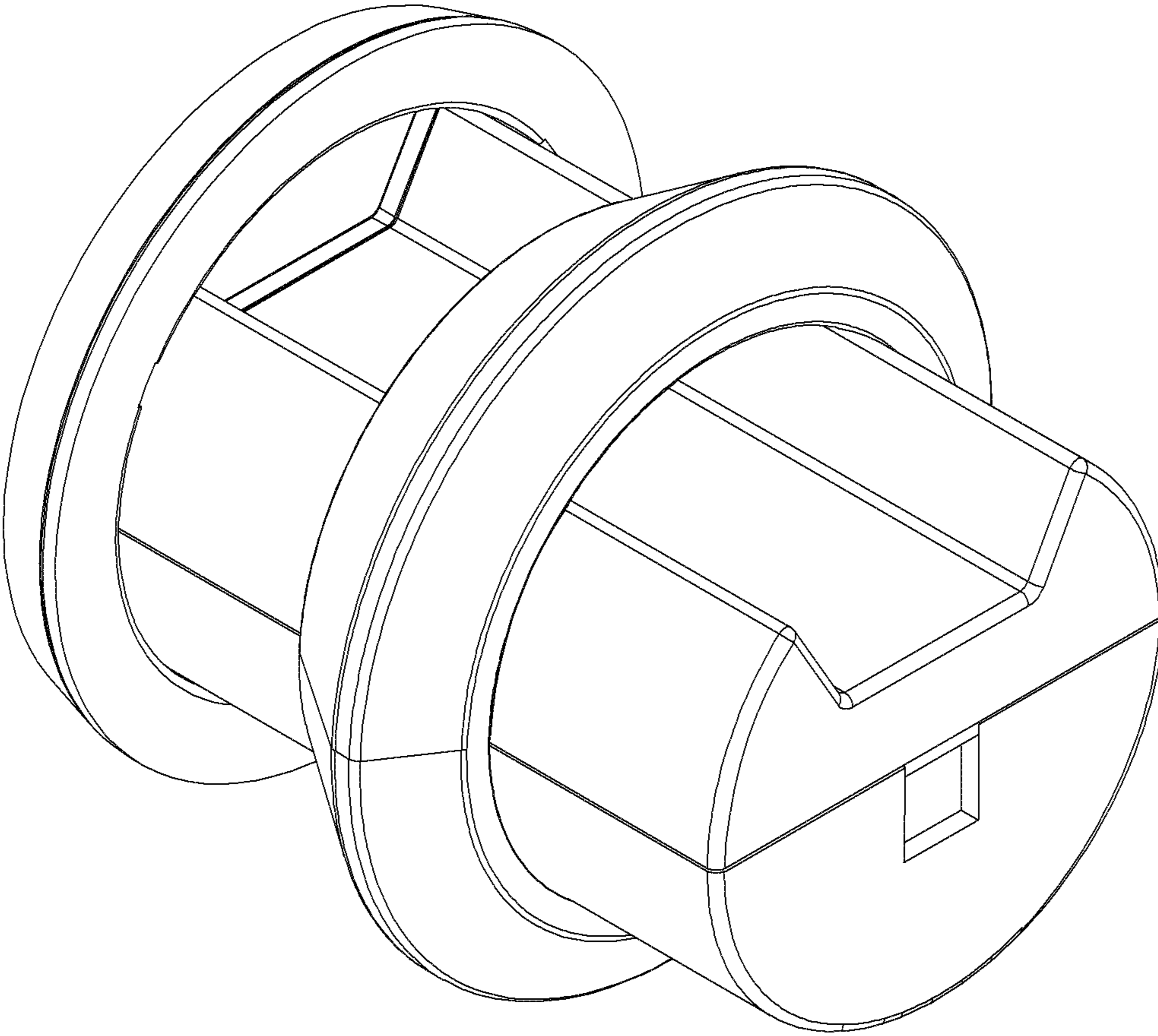


FIG. 2

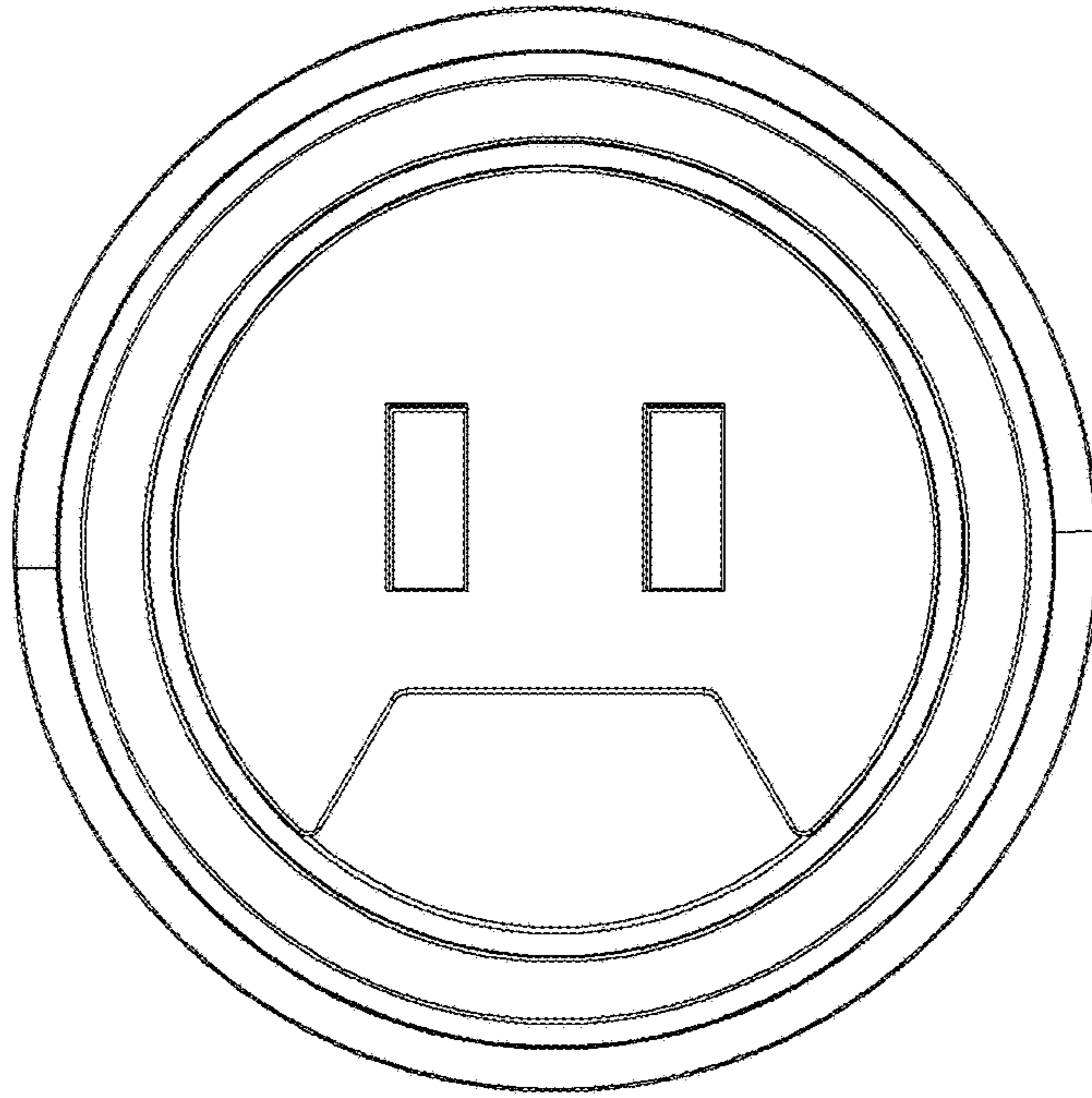


FIG. 3

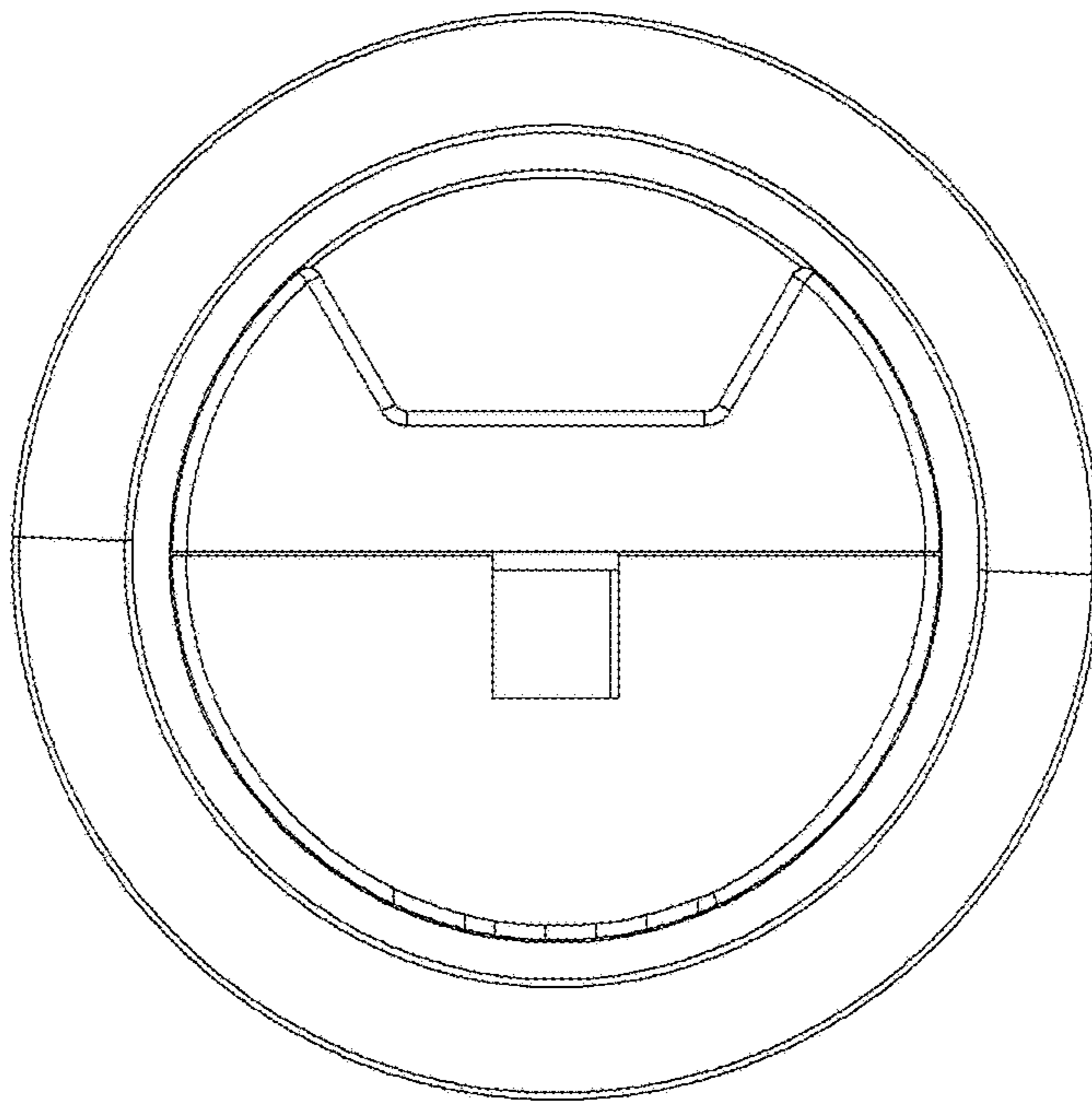


FIG. 4

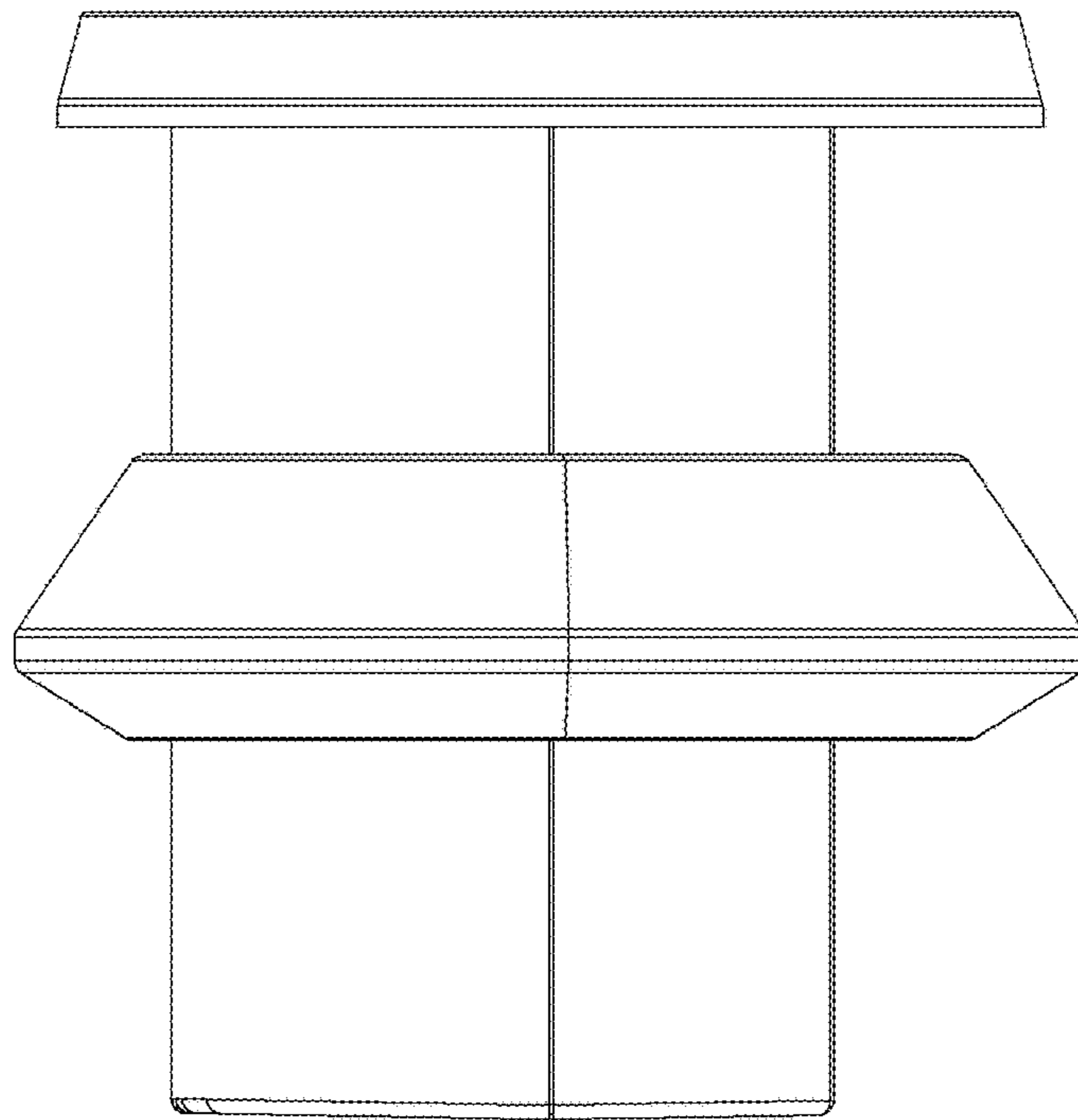


FIG. 5

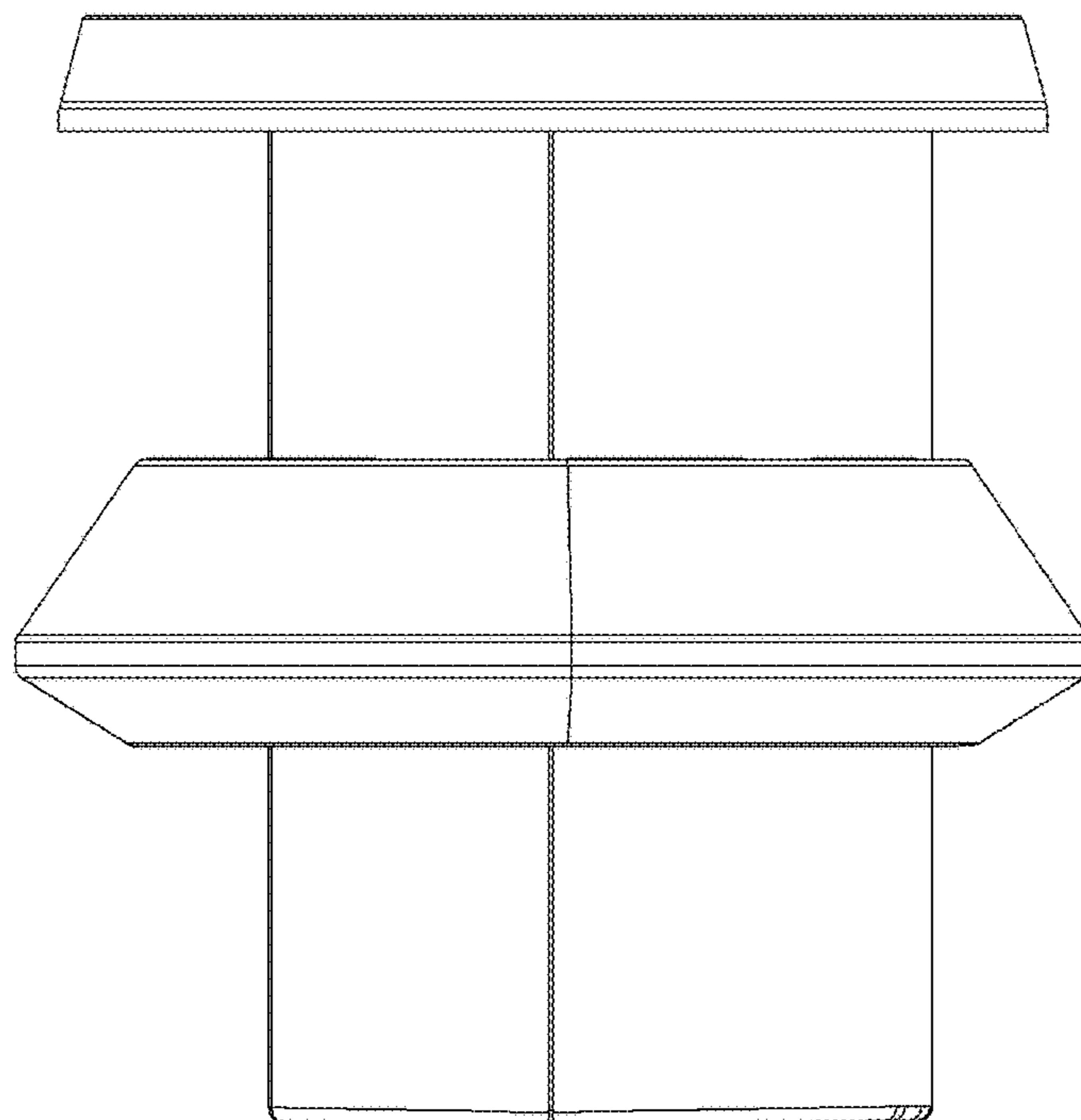


FIG. 6

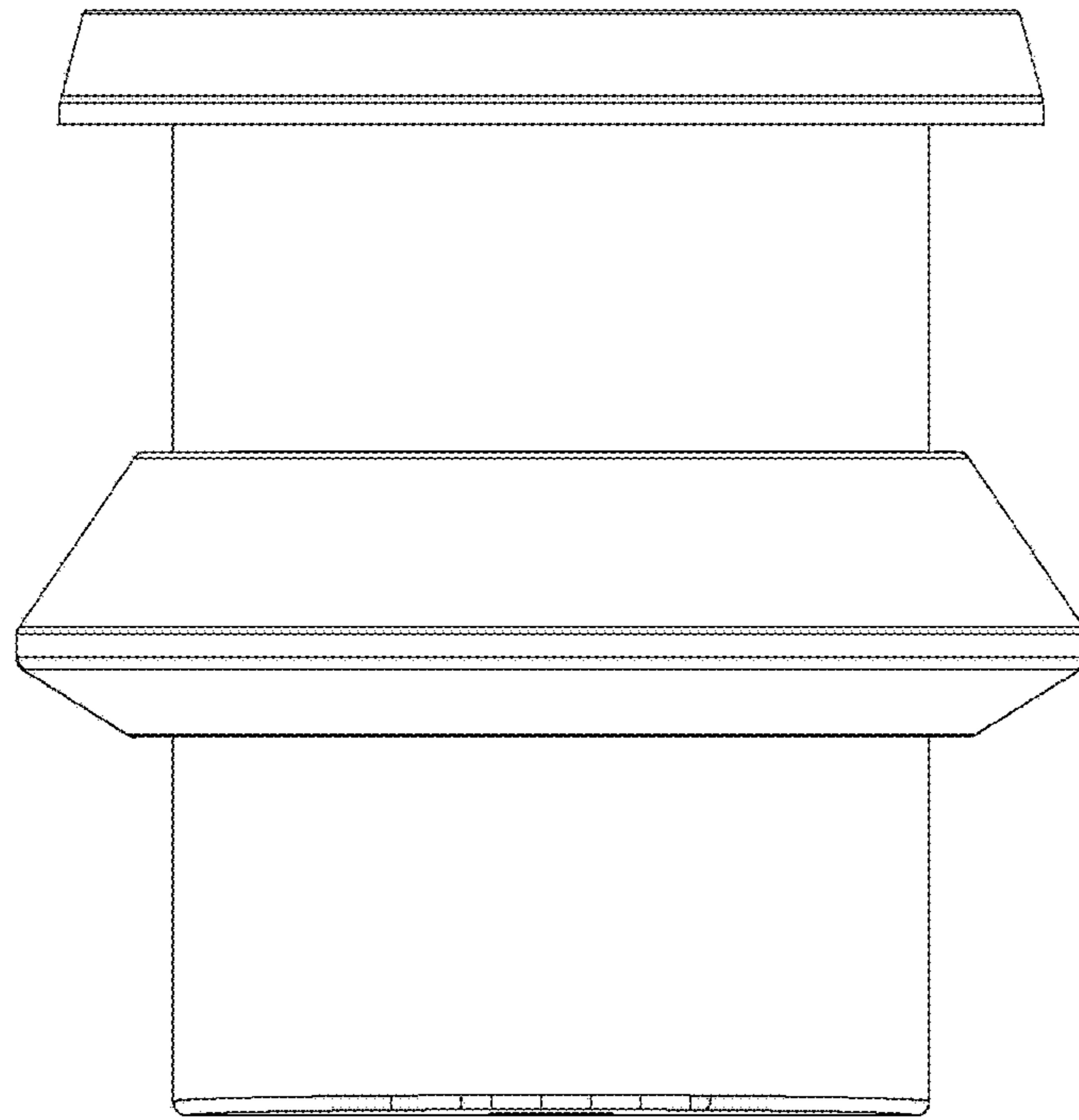


FIG. 7

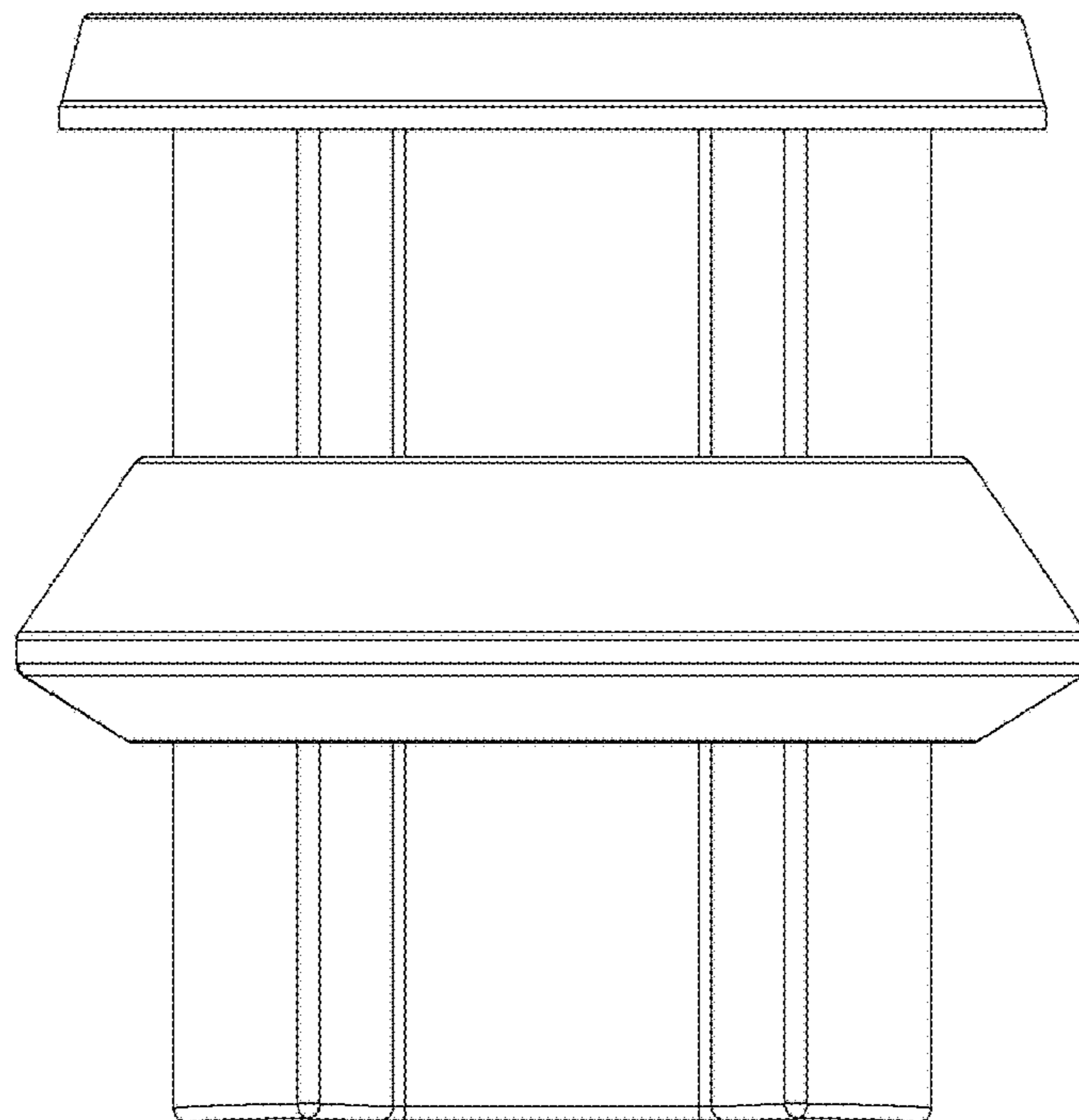


FIG. 8