

US00D780105S

(12) **United States Design Patent** (10) **Patent No.:** **US D780,105 S**  
**Renis** (45) **Date of Patent:** **\*\* Feb. 28, 2017**

(54) **TIRE TREAD**  
(71) Applicant: **BRIDGESTONE CORPORATION**,  
Tokyo (JP)  
(72) Inventor: **Davide Renis**, Rome (IT)  
(73) Assignee: **BRIDGESTONE CORPORATION**,  
Tokyo (JP)

D548,174 S \* 8/2007 Souchet ..... D12/602  
D559,773 S \* 1/2008 Campana ..... D12/579  
D598,369 S \* 8/2009 Beha ..... D12/583  
D624,490 S \* 9/2010 Kaji ..... D12/602  
D641,314 S \* 7/2011 Strader ..... D12/583  
D651,968 S \* 1/2012 Westaway ..... D12/602  
D660,224 S \* 5/2012 Takahashi ..... D12/602  
D710,296 S \* 8/2014 Bani Hani ..... D12/583  
D744,414 S \* 12/2015 Hutz ..... D12/583

\* cited by examiner

(\*\*) Term: **14 Years**

*Primary Examiner* — Robert M Spear

(21) Appl. No.: **29/519,185**

(74) *Attorney, Agent, or Firm* — Sughrue Mion, PLLC

(22) Filed: **Mar. 3, 2015**

(57) **CLAIM**

(30) **Foreign Application Priority Data**

The ornamental design for a tire tread, as shown and described.

Sep. 5, 2014 (EM) ..... 002531962-0001

(51) **LOC (10) Cl.** ..... **12-15**

**DESCRIPTION**

(52) **U.S. Cl.**  
USPC ..... **D12/600; D12/900**

(58) **Field of Classification Search**  
USPC ..... D12/579, 583, 584, 600, 601, 602, 603  
CPC ..... B60C 11/11; B60C 11/12; B60C 11/0306;  
B60C 11/0311; B60C 11/0346; B60C  
11/0386

FIG. 1 is a perspective view of the tire tread showing my design;  
FIG. 2 is a front view thereof;  
FIG. 3 is a rear view thereof;  
FIG. 4 is a right side view thereof;  
FIG. 5 is a left side view thereof;  
FIG. 6 is an enlarged fragmentary elevational view thereof taken from a lower half of the tire as seen in FIG. 2; and, FIG. 7 is a sectional view thereof.

See application file for complete search history.

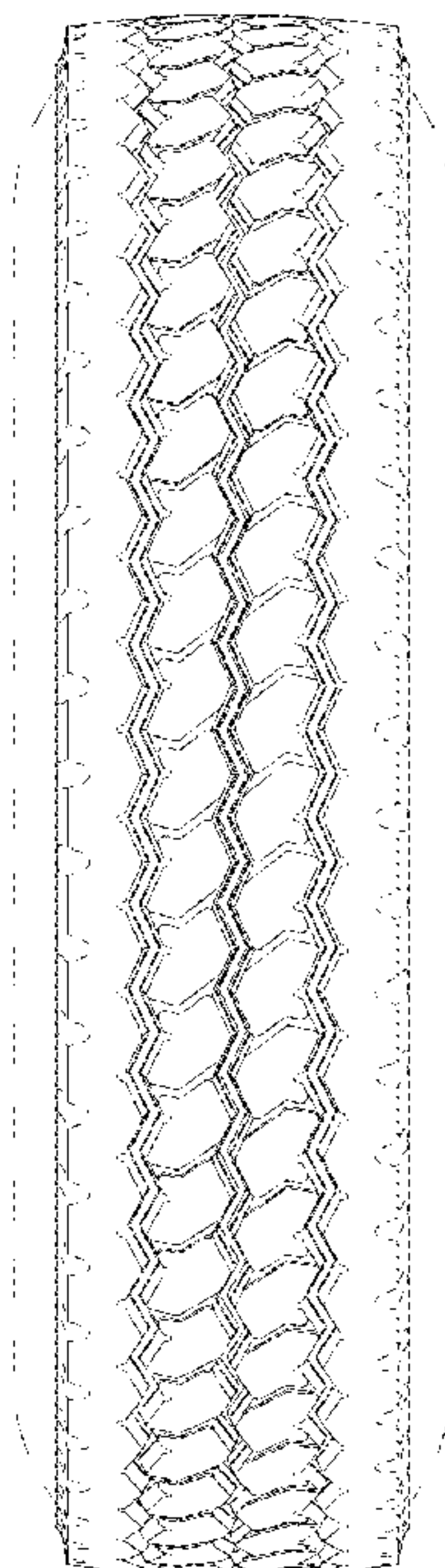
The broken lines representing the semicircular notches along the two outer circumferential grooves and the broken lines representing the tire sidewall and inner surface of the tire are intended to show environment and form no part of the claimed invention.

(56) **References Cited**

**U.S. PATENT DOCUMENTS**

D300,015 S \* 2/1989 Cottrell ..... D12/603  
D385,520 S \* 10/1997 Scheuren ..... D12/602  
D500,472 S \* 1/2005 Campana ..... D12/583  
D514,504 S \* 2/2006 Robert ..... D12/583  
D517,472 S \* 3/2006 Allison ..... D12/602

**1 Claim, 7 Drawing Sheets**



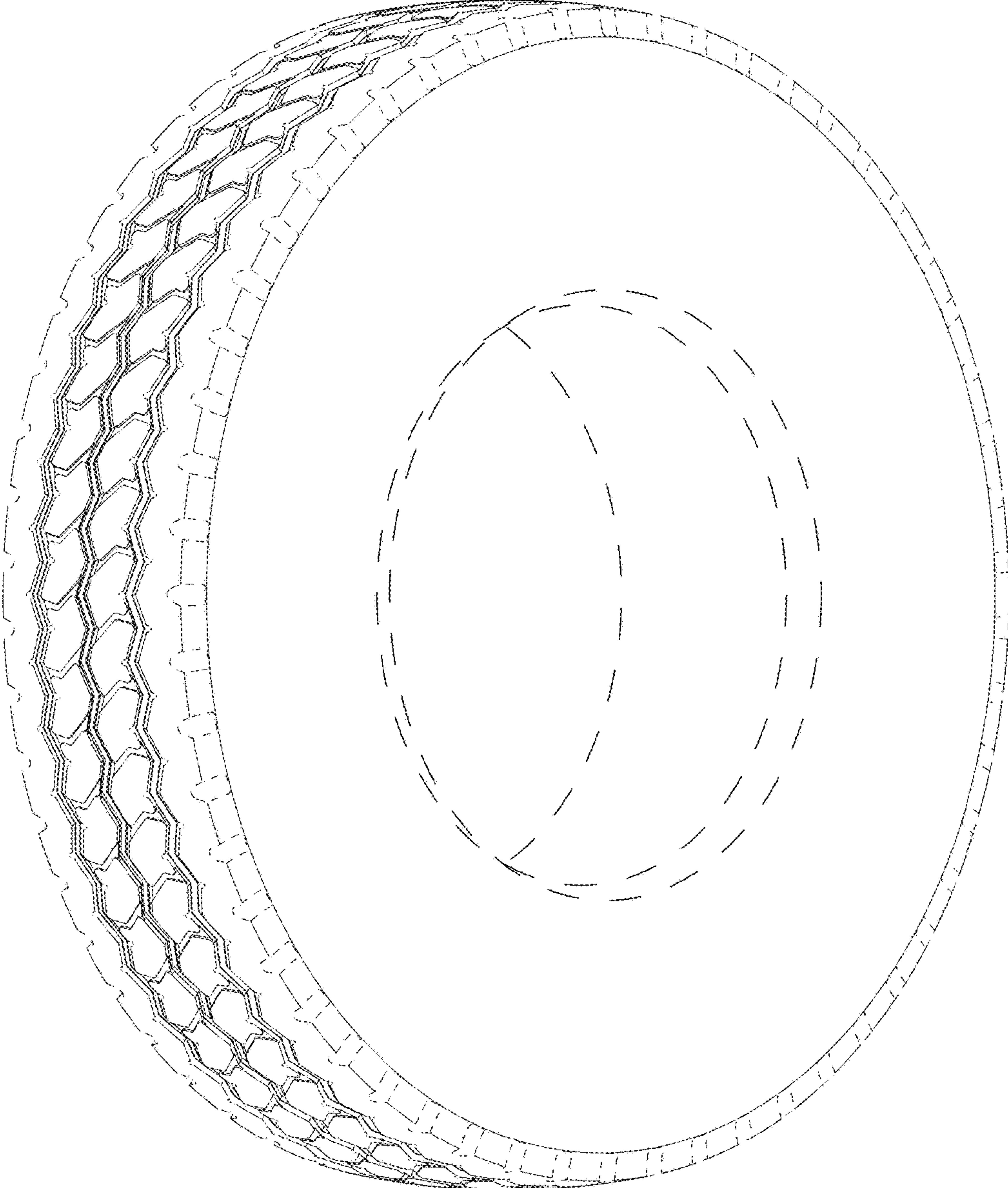


FIG. 1

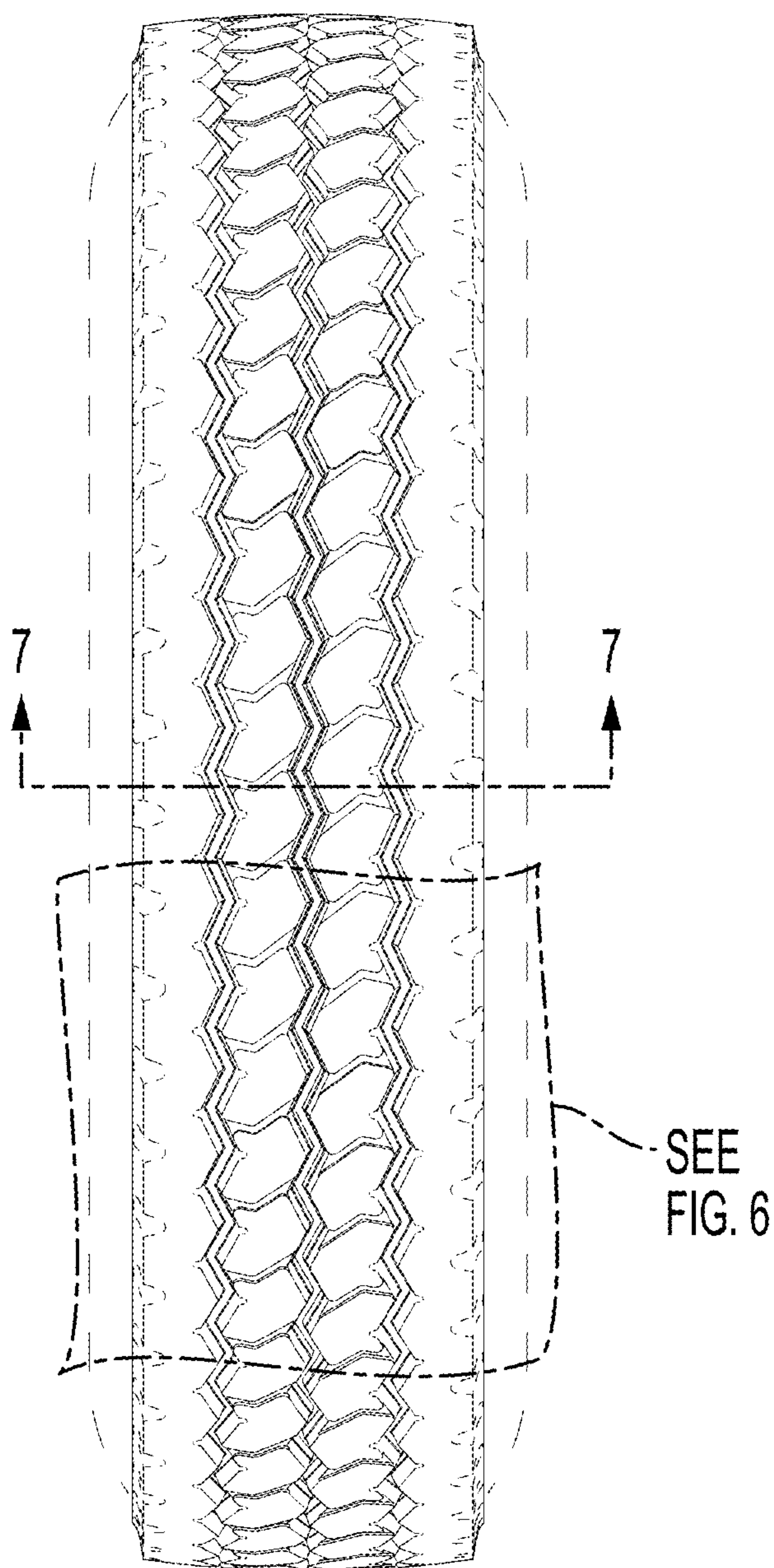


FIG. 2



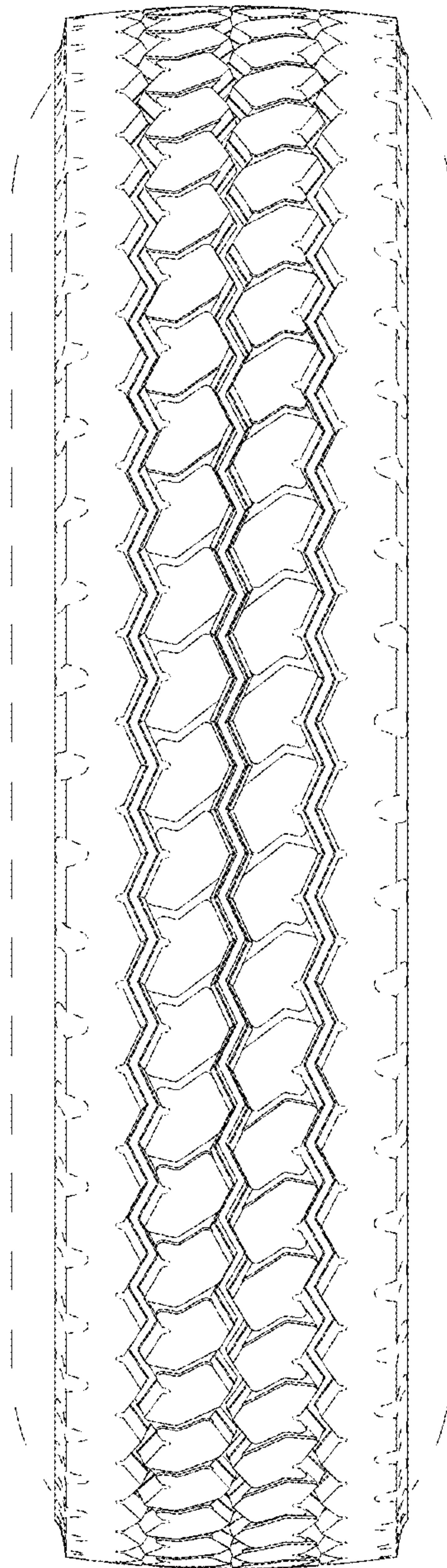


FIG. 3

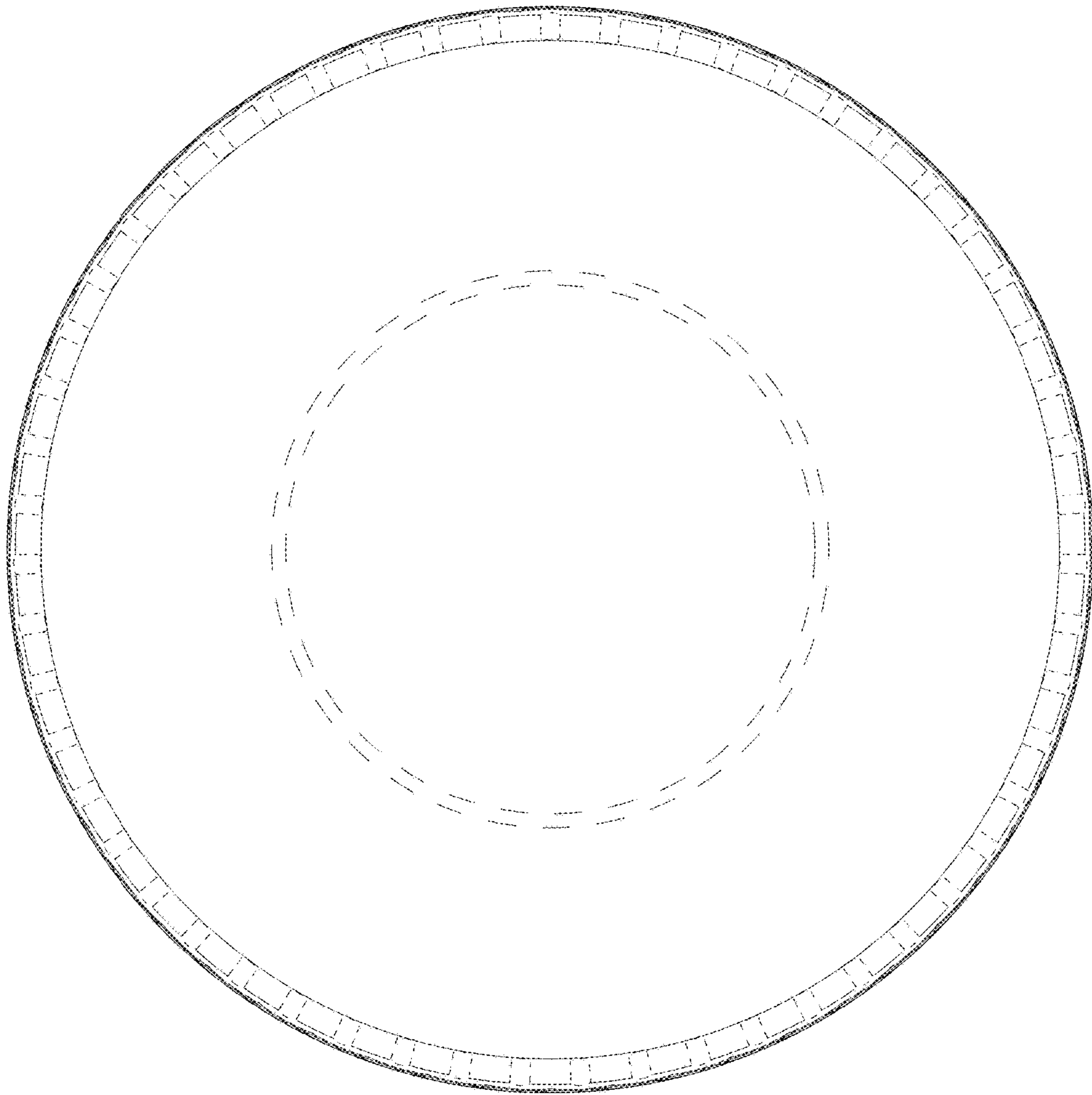


FIG. 4

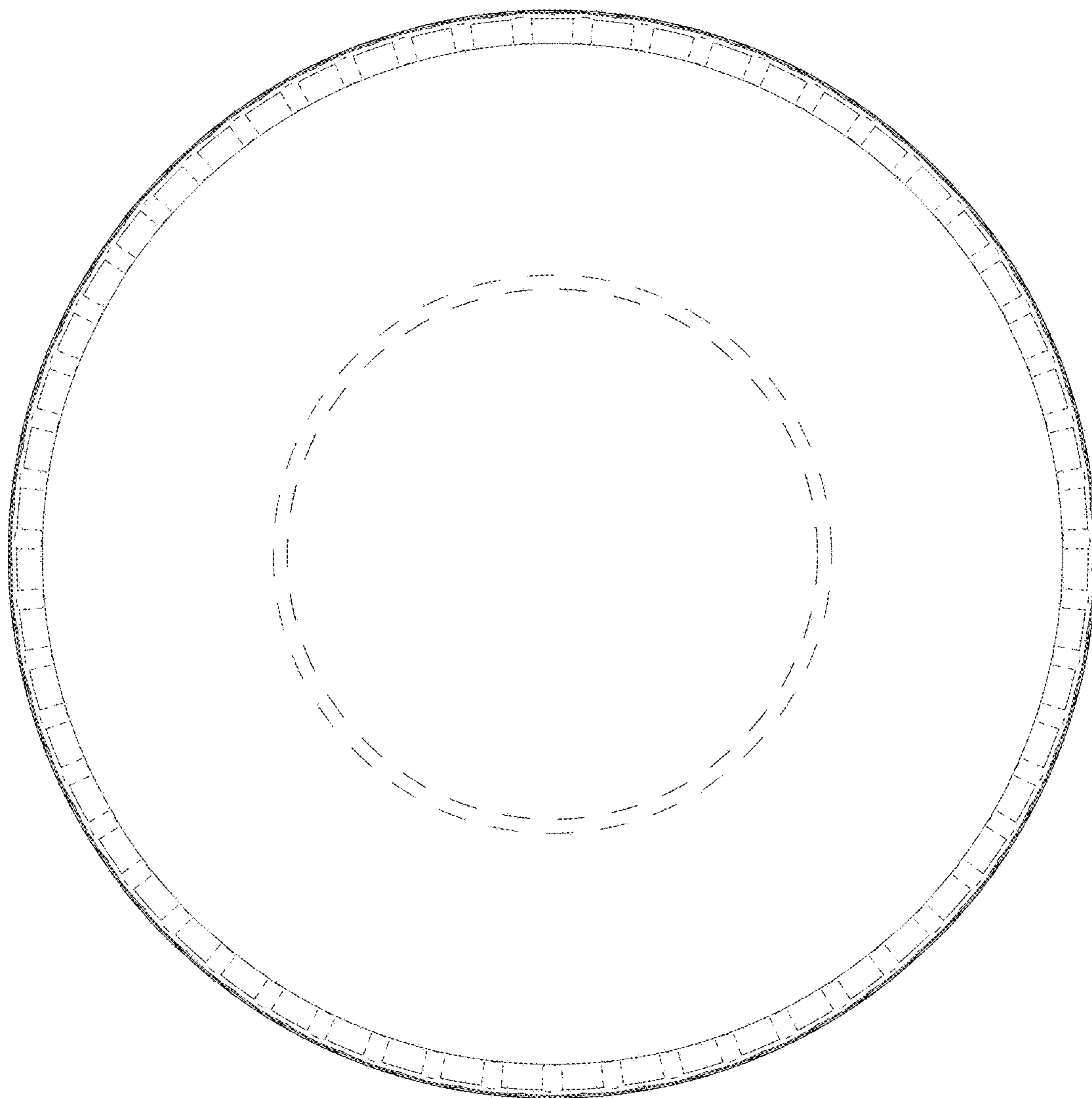


FIG. 5

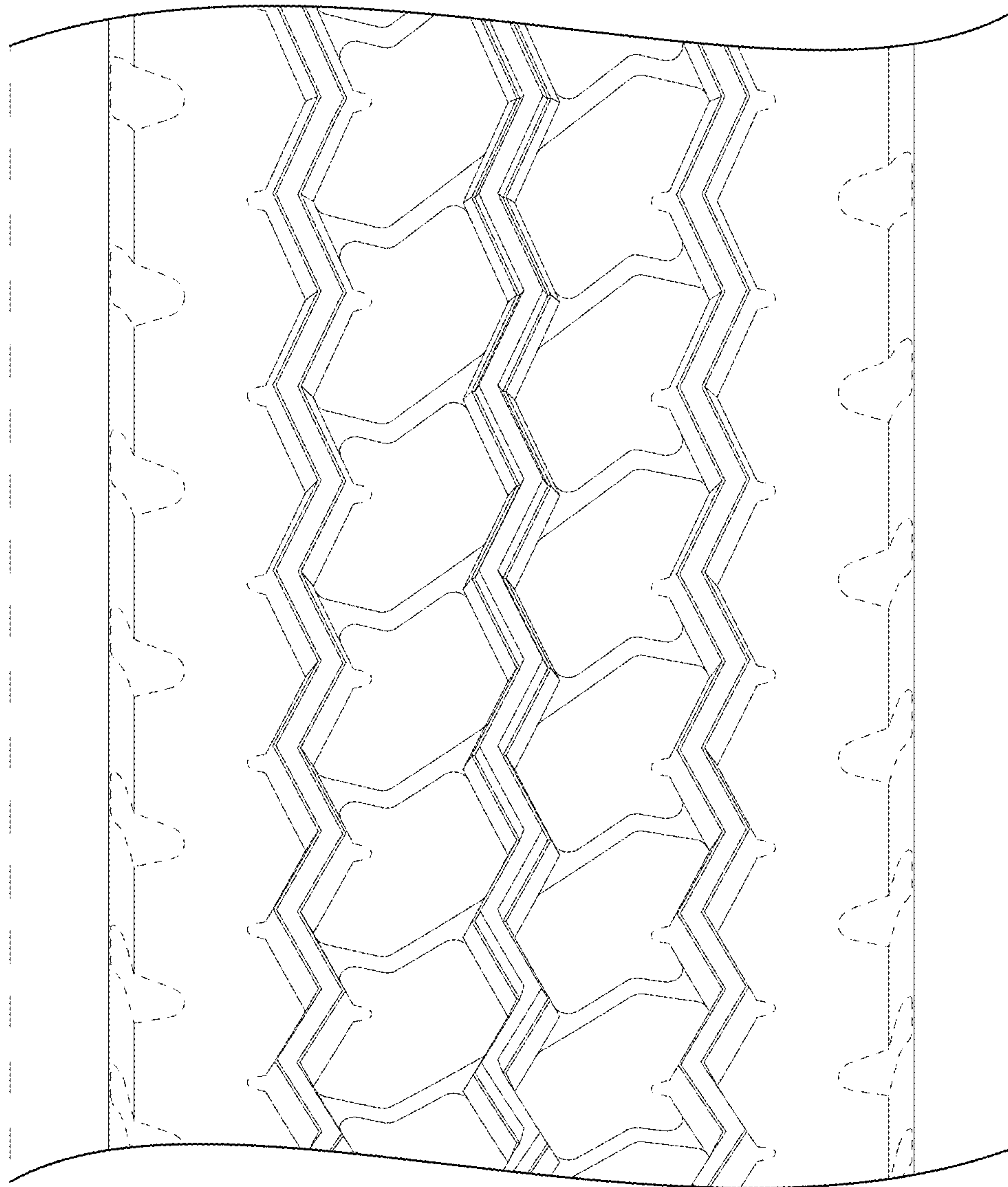


FIG. 6

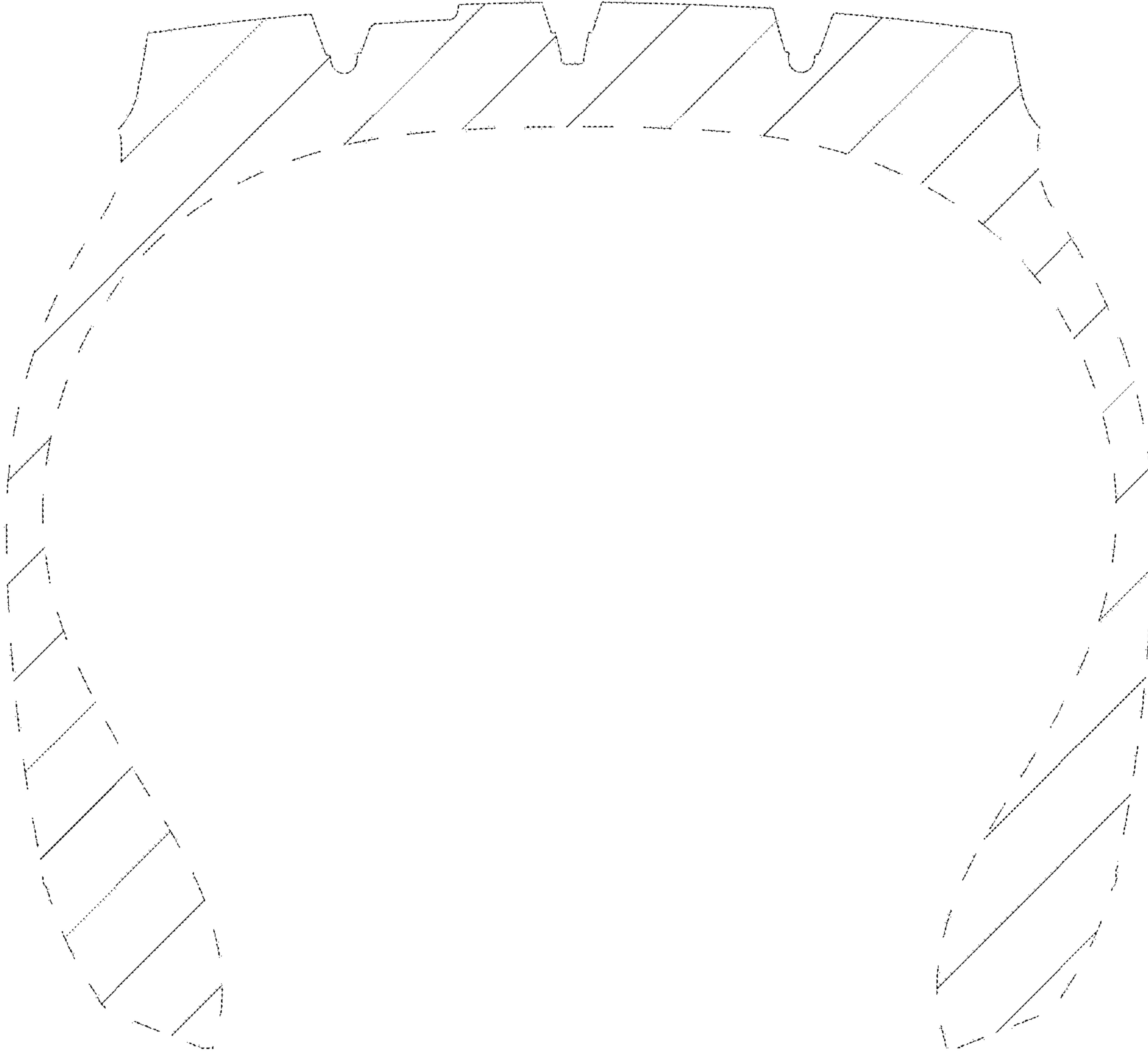


FIG. 7