



US00D780104S

(12) **United States Design Patent**
Taylor

(10) **Patent No.:** **US D780,104 S**

(45) **Date of Patent:** **** Feb. 28, 2017**

(54) **TIRE TREAD**

(71) Applicant: **Fredrick Taylor**, Rome, GA (US)

(72) Inventor: **Fredrick Taylor**, Rome, GA (US)

(**) Term: **14 Years**

(21) Appl. No.: **29/512,316**

(22) Filed: **Dec. 18, 2014**

(51) **LOC (10) Cl.** **12-15**

(52) **U.S. Cl.**
USPC **D12/600; D12/580**

(58) **Field of Classification Search**
USPC D12/550-568, 580-604, 900
CPC B60C 11/0311; B60C 11/0316
See application file for complete search history.

(56) **References Cited**

U.S. PATENT DOCUMENTS

| | | | | | |
|------------|---|---------|-----------|-------|---------|
| D388,040 S | * | 12/1997 | de Barsy | | D12/574 |
| D403,284 S | * | 12/1998 | Le | | D12/574 |
| D428,836 S | * | 8/2000 | Grosskopf | | D12/580 |
| D456,341 S | * | 4/2002 | Warchol | | D12/577 |
| D529,862 S | * | 10/2006 | Miller | | D12/574 |
| D541,734 S | * | 5/2007 | Yoshiya | | D12/539 |
| D556,671 S | * | 12/2007 | Nonaka | | D12/567 |
| D597,477 S | * | 8/2009 | Ogawa | | D12/559 |
| D598,366 S | * | 8/2009 | Kanemaru | | D12/543 |
| D606,931 S | * | 12/2009 | Radulescu | | D12/600 |
| D610,968 S | * | 3/2010 | Godeau | | D12/583 |

OTHER PUBLICATIONS

Quad Boss QBT739 Tire found online [Dec. 14, 2015] <http://www.amazon.com/QuadBoss-QBT739-Sport-Front-Rear/dp/B00M9IJWMI>.*

* cited by examiner

Primary Examiner — Robert M Spear

Assistant Examiner — John A Voytek

(74) *Attorney, Agent, or Firm* — Thomas | Horstemeyer, LLP

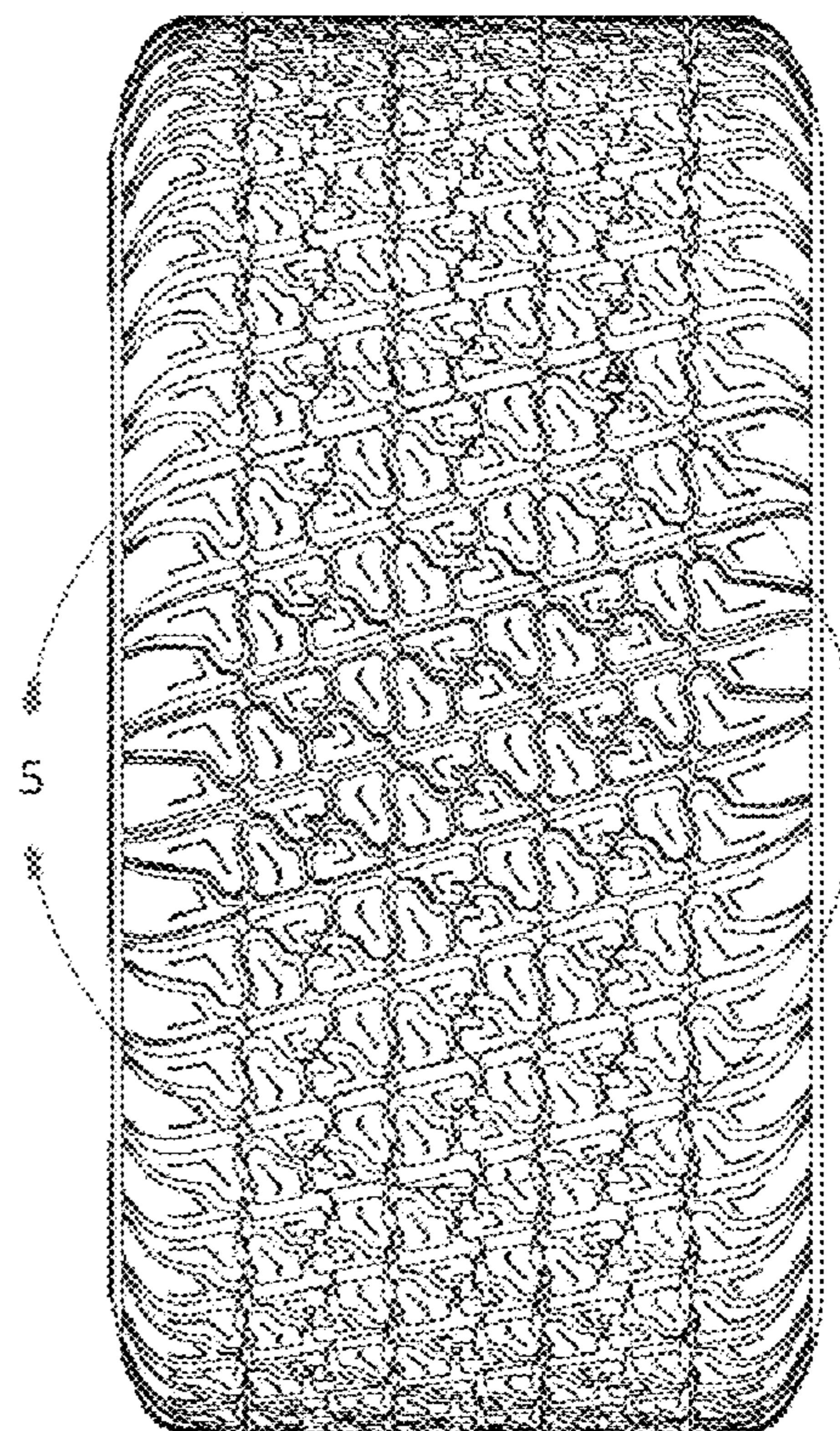
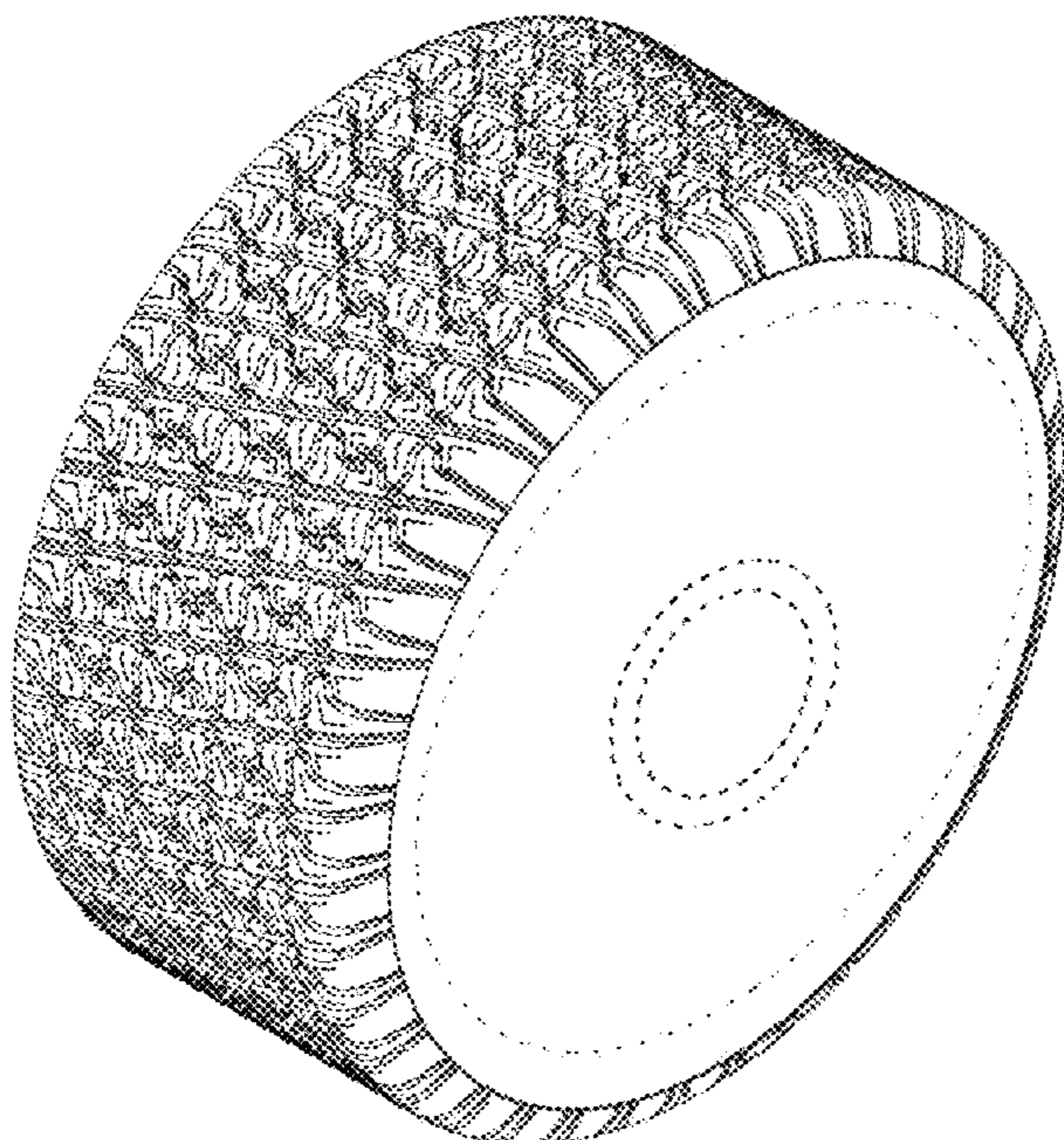
(57) **CLAIM**

The ornamental design for a tire tread, as shown and described.

DESCRIPTION

FIG. 1 is a side perspective view of my new tire tread; FIG. 2 is a front elevational view of my new tire tread of FIG. 1; FIG. 3 is a side elevational view of my new tire tread of FIG. 1; FIG. 4 is another side elevational view of my new tire tread of FIG. 1 from the side opposite that of FIG. 3; and, FIG. 5 is an enlarged fragmentary view thereof.

1 Claim, 5 Drawing Sheets



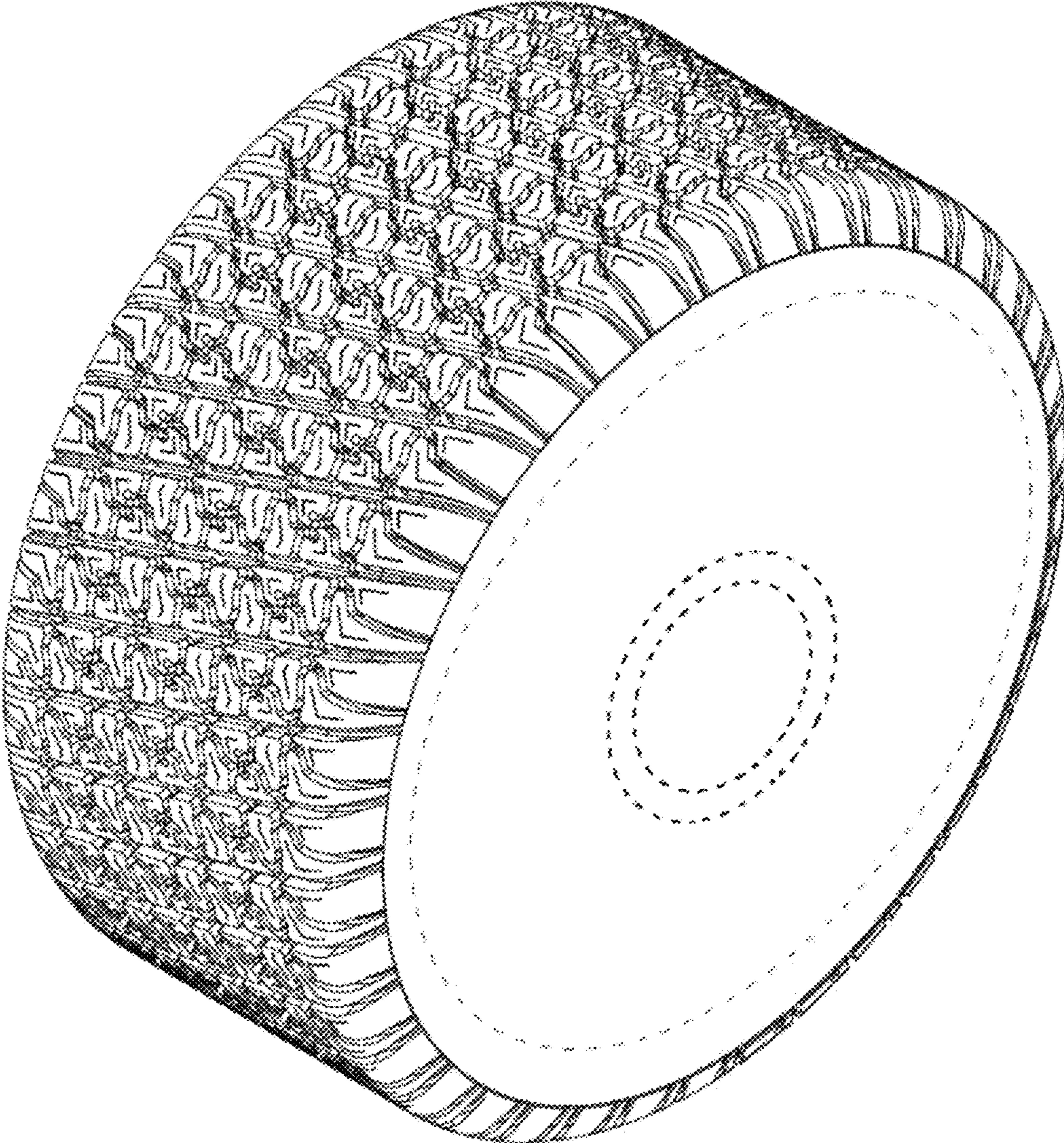


FIG. 1

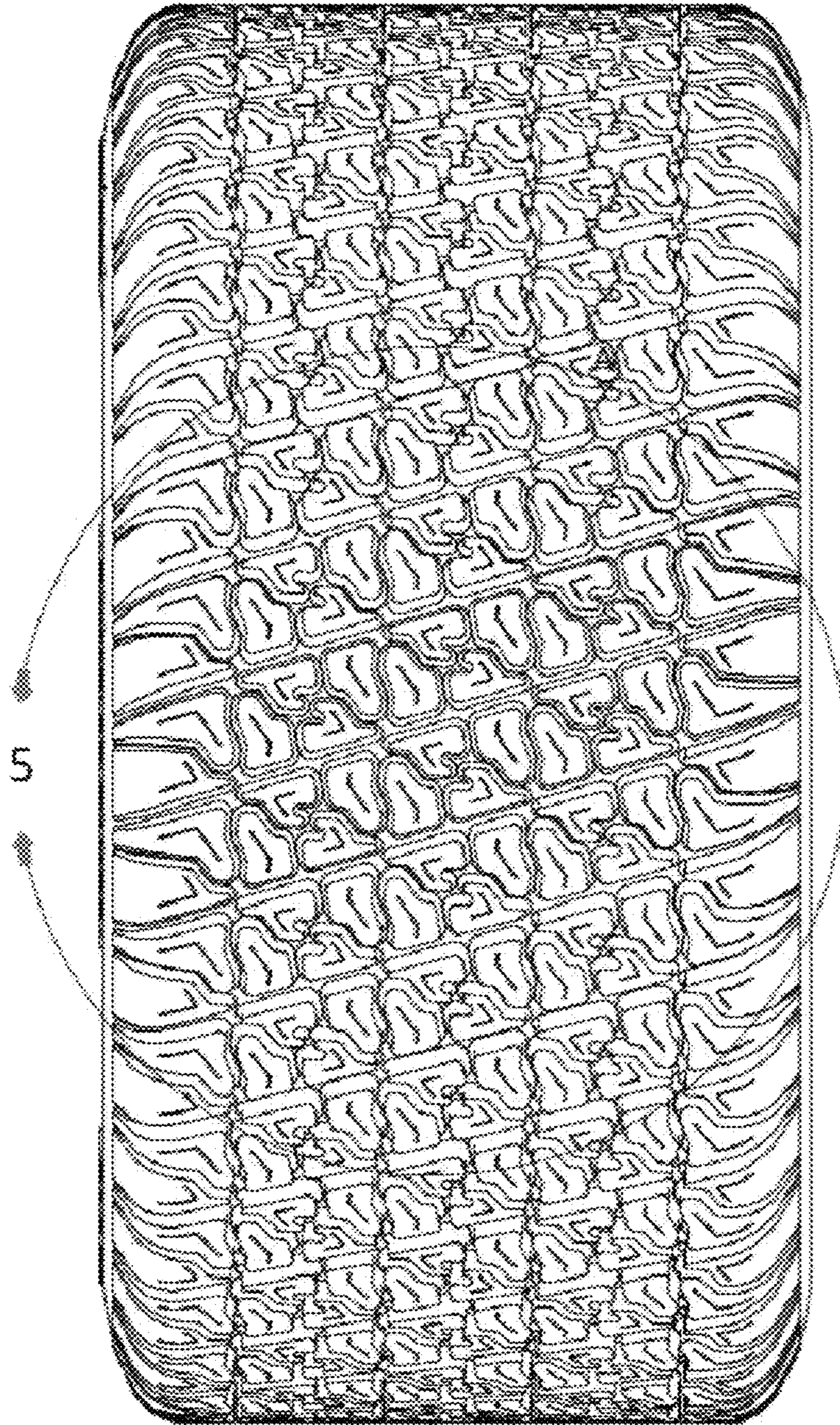


FIG. 2

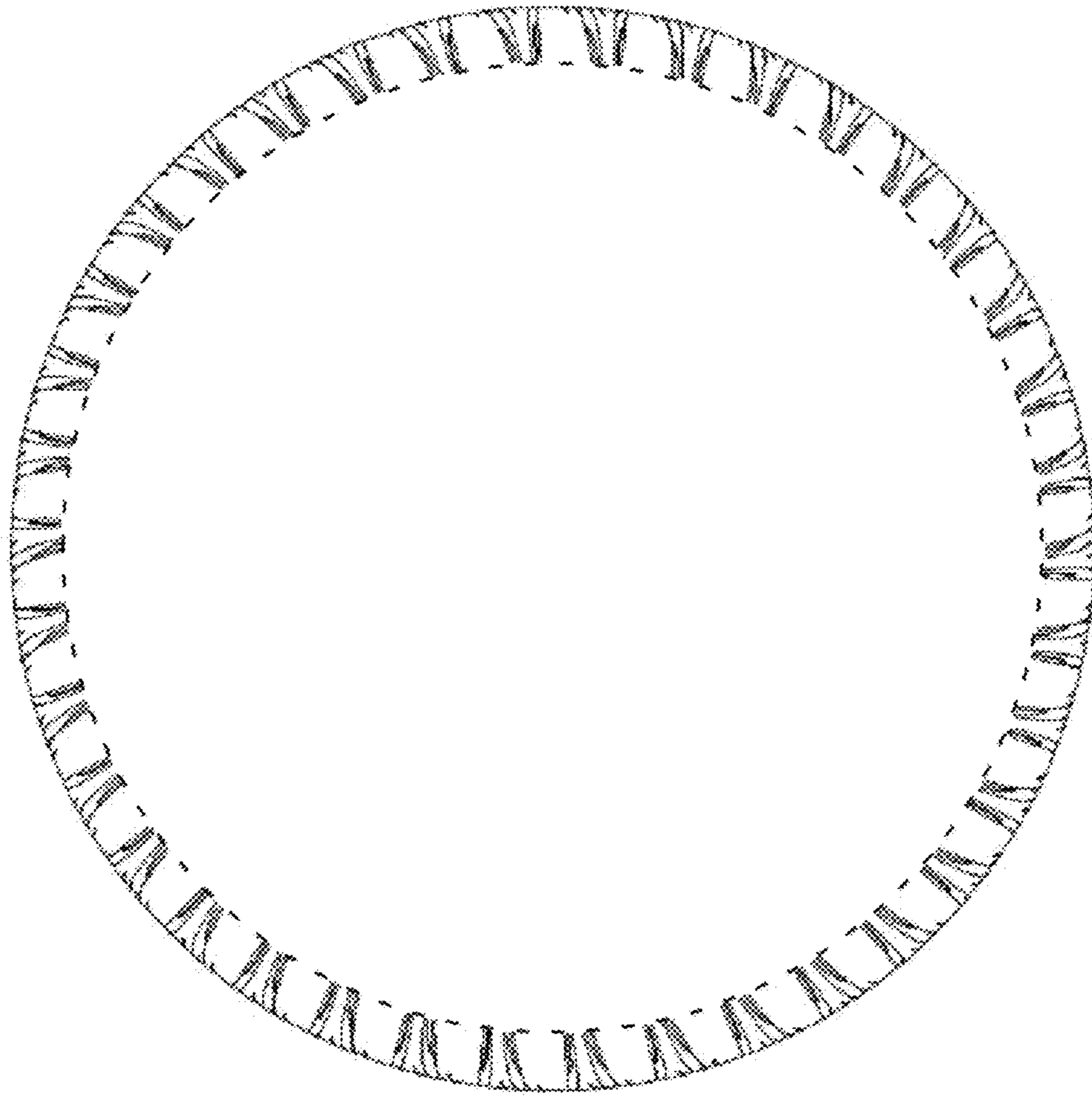


FIG. 3

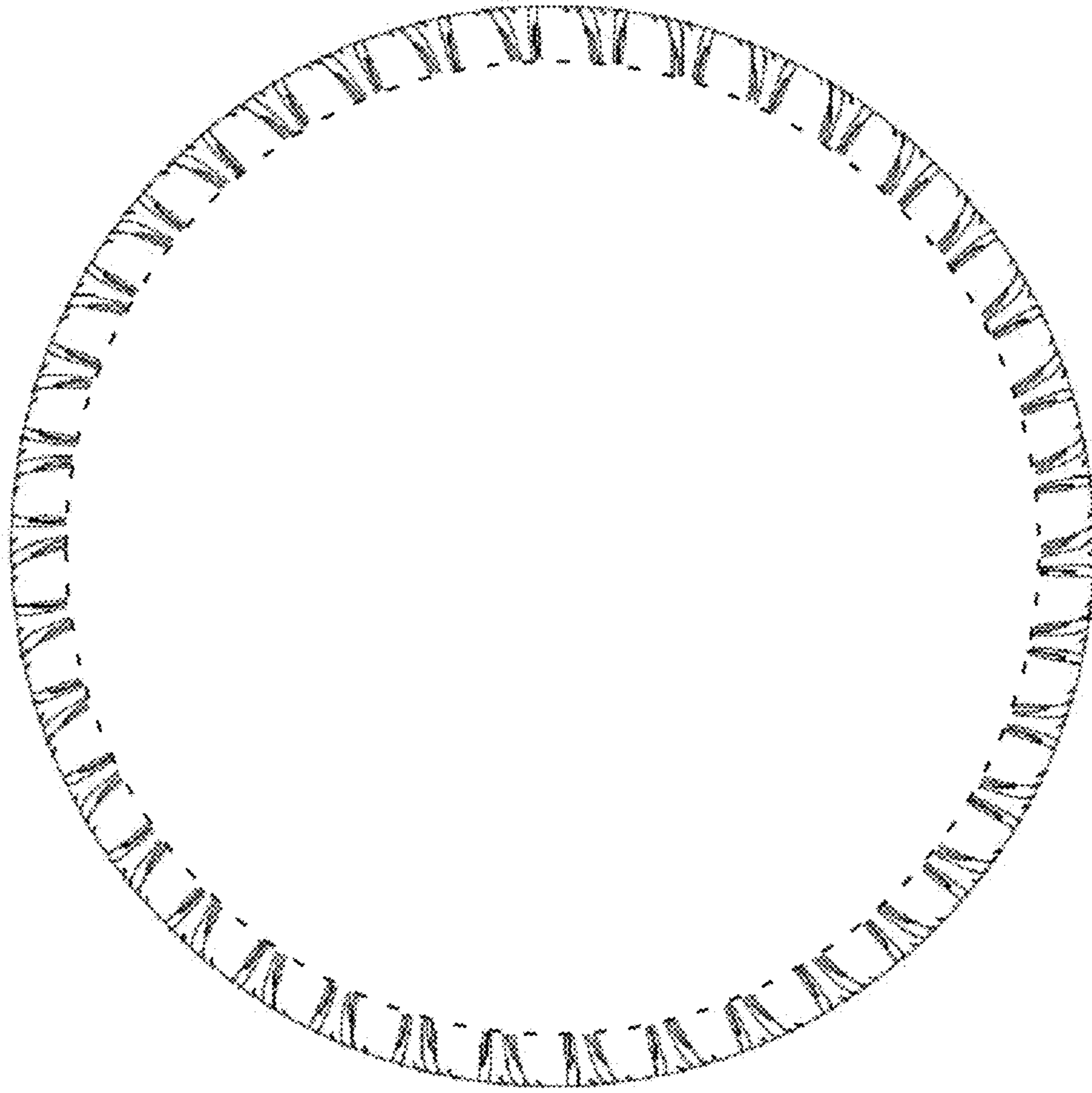


FIG. 4

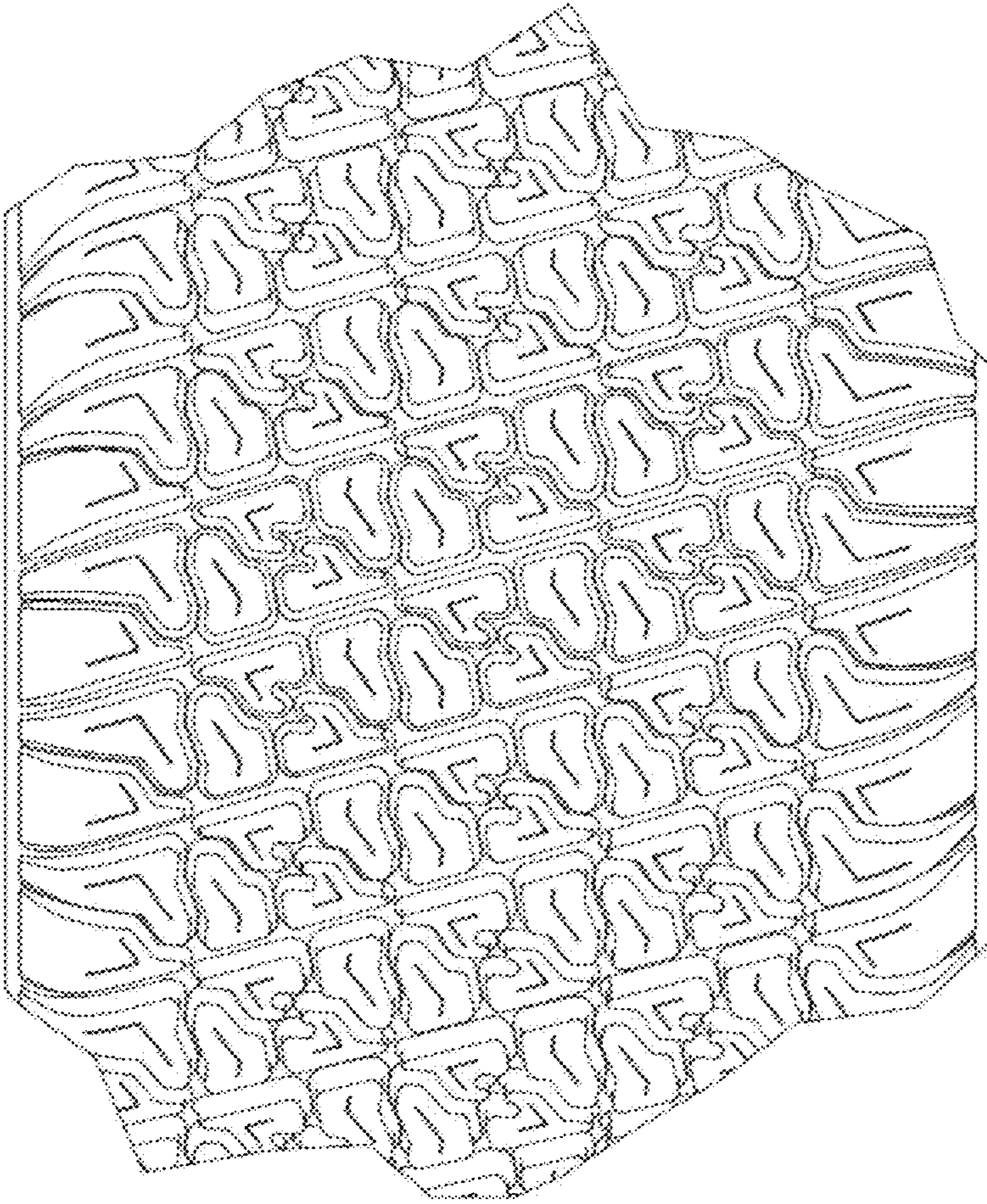


FIG. 5