



US00D780103S

(12) **United States Design Patent**
Sareen

(10) **Patent No.:** **US D780,103 S**

(45) **Date of Patent:** **** Feb. 28, 2017**

(54) **TIRE TREAD**

(71) Applicant: **Omni United (S) Pte Ltd.**, Singapore
(SG)

(72) Inventor: **Gajendra Singh Sareen**, Singapore
(SG)

(73) Assignee: **Omni United (S) Pte Ltd.**, Singapore
(SG)

(**) Term: **15 Years**

(21) Appl. No.: **29/559,334**

(22) Filed: **Mar. 28, 2016**

(51) **LOC (10) Cl.** **12-15**

(52) **U.S. Cl.**
USPC **D12/594**

(58) **Field of Classification Search**
USPC 152/5, 151, 152.1, 167, 208,
152/209.1-209.28, 246, 450, 526, 527,
152/532, 535, 538, 541; D12/145,
D12/500-605, 900-901
CPC B60C 11/00; B60C 2011/0337; B60C
2011/0339; B60C 2011/0386; B60C 3/00;
B60C 3/08; B60C 1/00; B60C 2200/00;
B60C 2200/02; B60C 2200/04; B60C
2200/06; B60C 2200/065; B60C 2200/08;
B60C 2200/10; B60C 2200/12; B60C
2200/14; B60C 7/00; B60C 7/02; B60C
7/04; B60C 7/06; B60C 7/08; B60C 5/00;
B60C 13/00

See application file for complete search history.

(56) **References Cited**

U.S. PATENT DOCUMENTS

D306,845 S 3/1990 Hinrichsen et al.
D326,075 S 5/1992 Covert et al.

D384,609 S 10/1997 Gillard et al.
D402,935 S 12/1998 Oliver
D410,419 S 6/1999 Murata et al.
D414,449 S * 9/1999 Schuster D12/594
D417,856 S 12/1999 Roelle et al.
D420,629 S 2/2000 Edwards
D421,583 S * 3/2000 Kemp, Jr. D12/594
D502,683 S 3/2005 Pang et al.
D517,002 S 3/2006 Welbes
D595,641 S 7/2009 Carter et al.
D609,165 S 2/2010 Fujioka
D636,722 S 4/2011 Davidson et al.
D645,399 S 9/2011 Kiwaki

(Continued)

Primary Examiner — Manpreet Matharu

Assistant Examiner — Keith Wilson

(74) *Attorney, Agent, or Firm* — Perkins Coie LLP

(57) **CLAIM**

The ornamental design for a tire tread, as shown and described.

DESCRIPTION

FIG. 1 is a perspective view of a tire tread, showing my new design;

FIG. 2 is a front view thereof;

FIG. 3 is a side view thereof;

FIG. 4 is an enlarged perspective view of a section of the tire tread defined by lines 4-4 in FIG. 1;

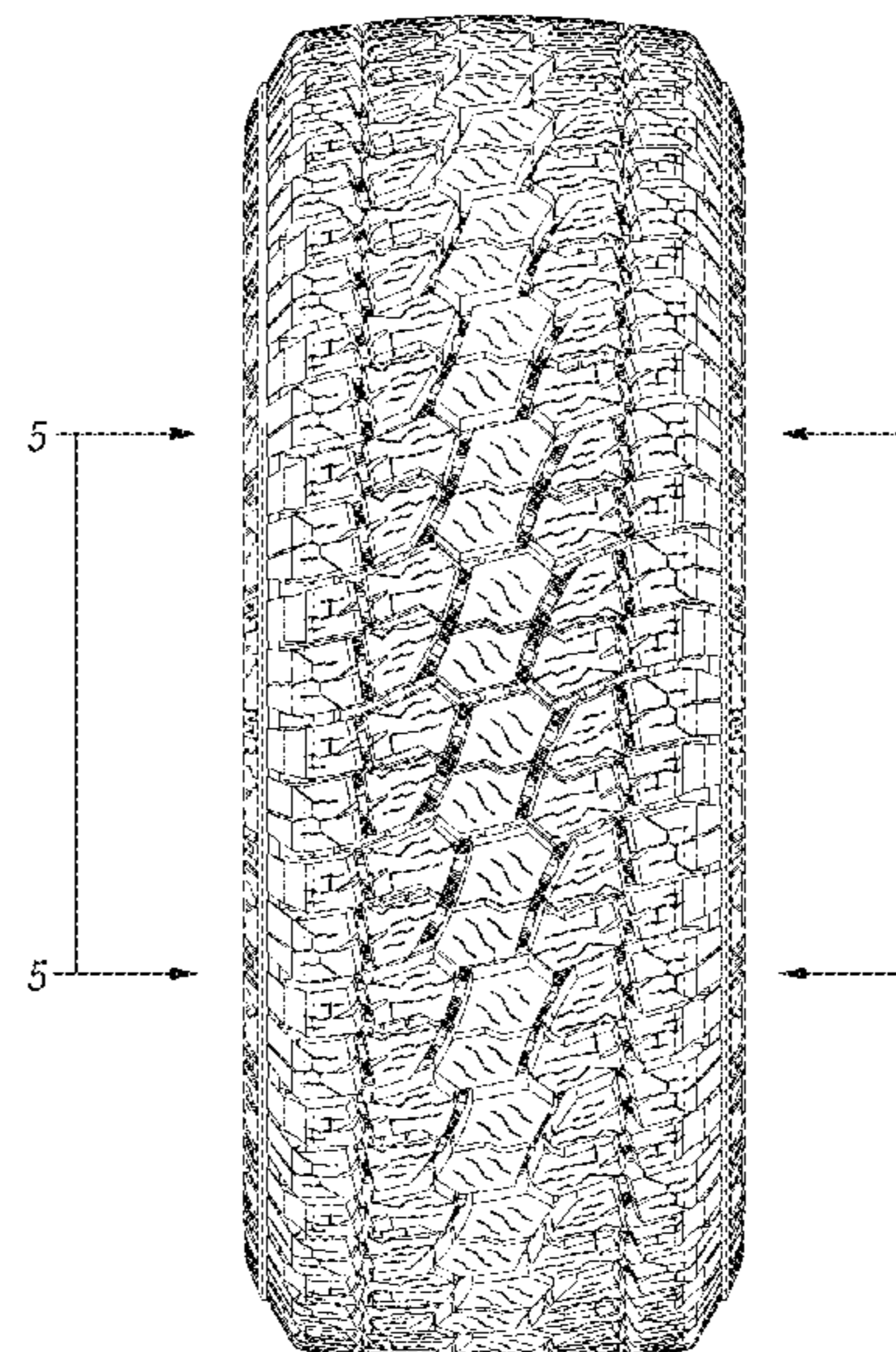
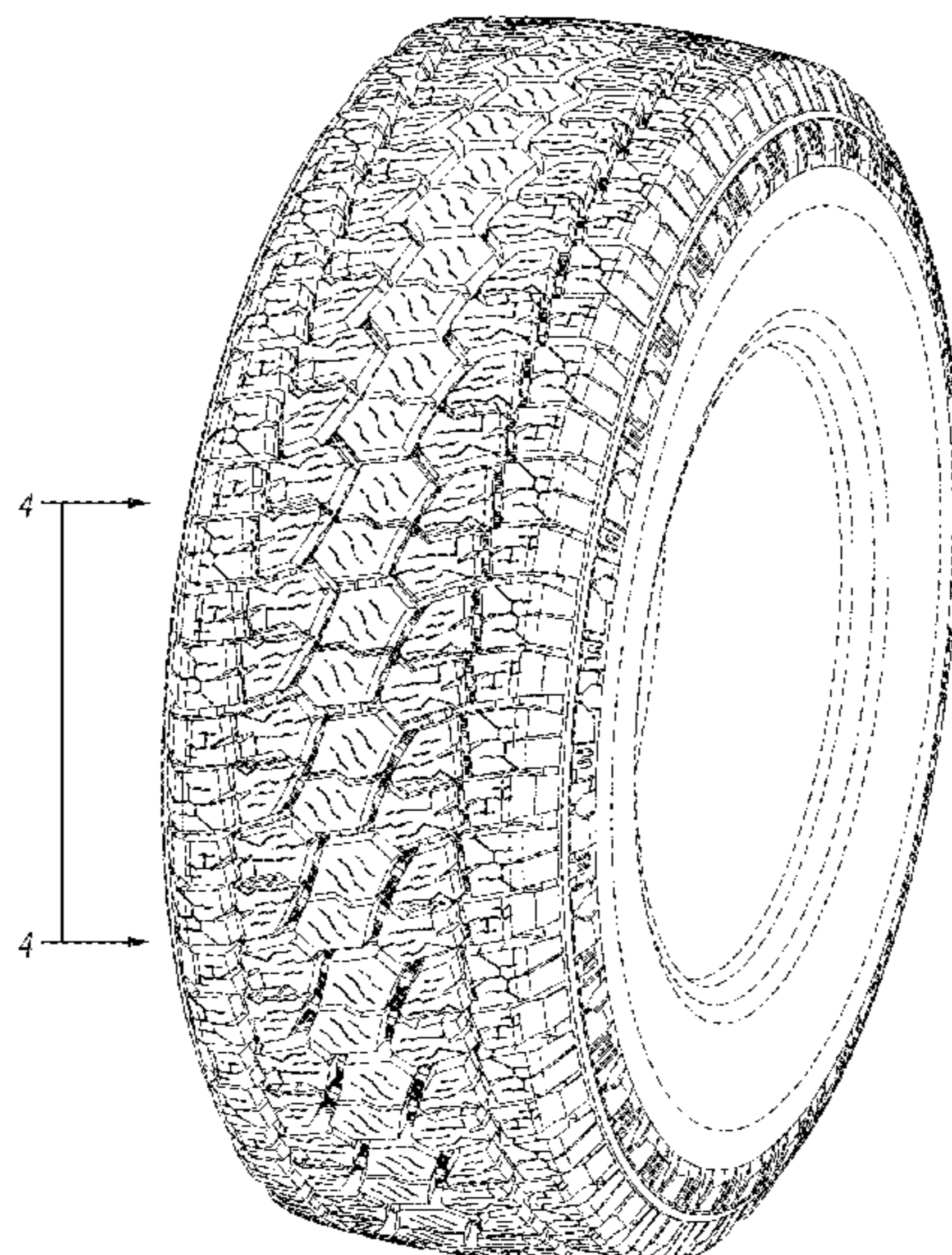
FIG. 5 is an enlarged front view of a section of the tire tread as defined by lines 5-5 in FIG. 2; and,

FIG. 6 is an enlarged side view of a section of the tire tread as defined by lines 6-6 in FIG. 3.

The broken lines in FIGS. 1-6 show portions of the tire tread or tire which form no part of the claimed design.

The dash dot lines on either side of the tire tread section in FIGS. 4-6 is for the purpose of illustrating the boundary of the claimed design and form no part thereof.

1 Claim, 6 Drawing Sheets



(56)

References Cited

U.S. PATENT DOCUMENTS

D668,209	S	10/2012	De Benedittis et al.	
D719,908	S	12/2014	Takei	
D720,284	S *	12/2014	Lo	D12/579
D730,272	S *	5/2015	Fleckner	D12/580
D732,463	S *	6/2015	Petr	D12/579
D736,145	S *	8/2015	Jacobs	D12/594
D737,197	S *	8/2015	Wang	D12/579
D743,878	S *	11/2015	Mathis	D12/579
D744,413	S *	12/2015	Chen	D12/579
D748,047	S *	1/2016	Schuessler	D12/594
D761,193	S *	7/2016	Schimmoeller	D12/599
D762,561	S *	8/2016	Petr	D12/599
D762,562	S *	8/2016	Bonifas	D12/599
D772,796	S *	11/2016	Jacobs	D12/600
2014/0360641	A1 *	12/2014	Jacobs	B60C 11/1307 152/209.21

* cited by examiner

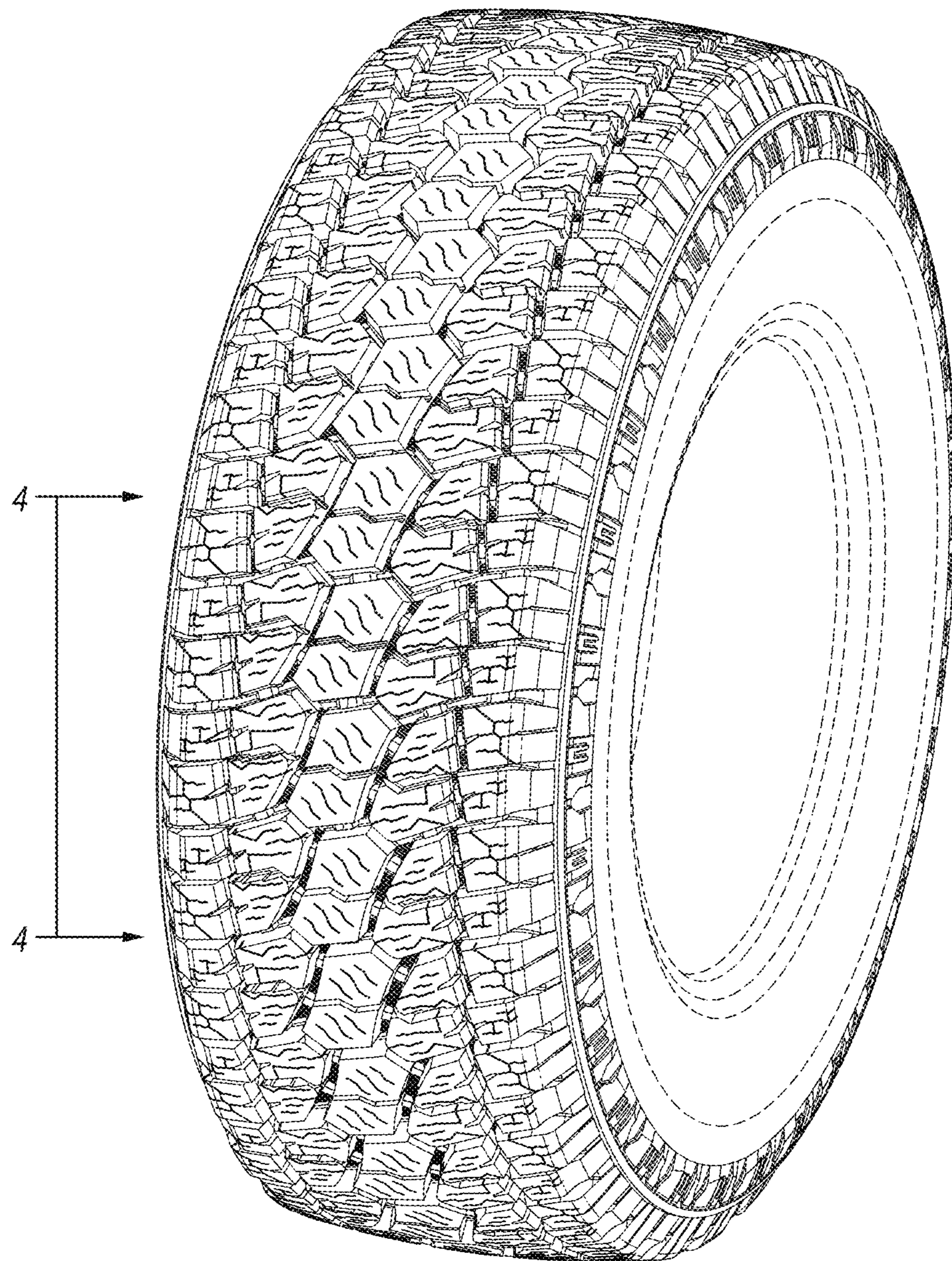


FIG. 1

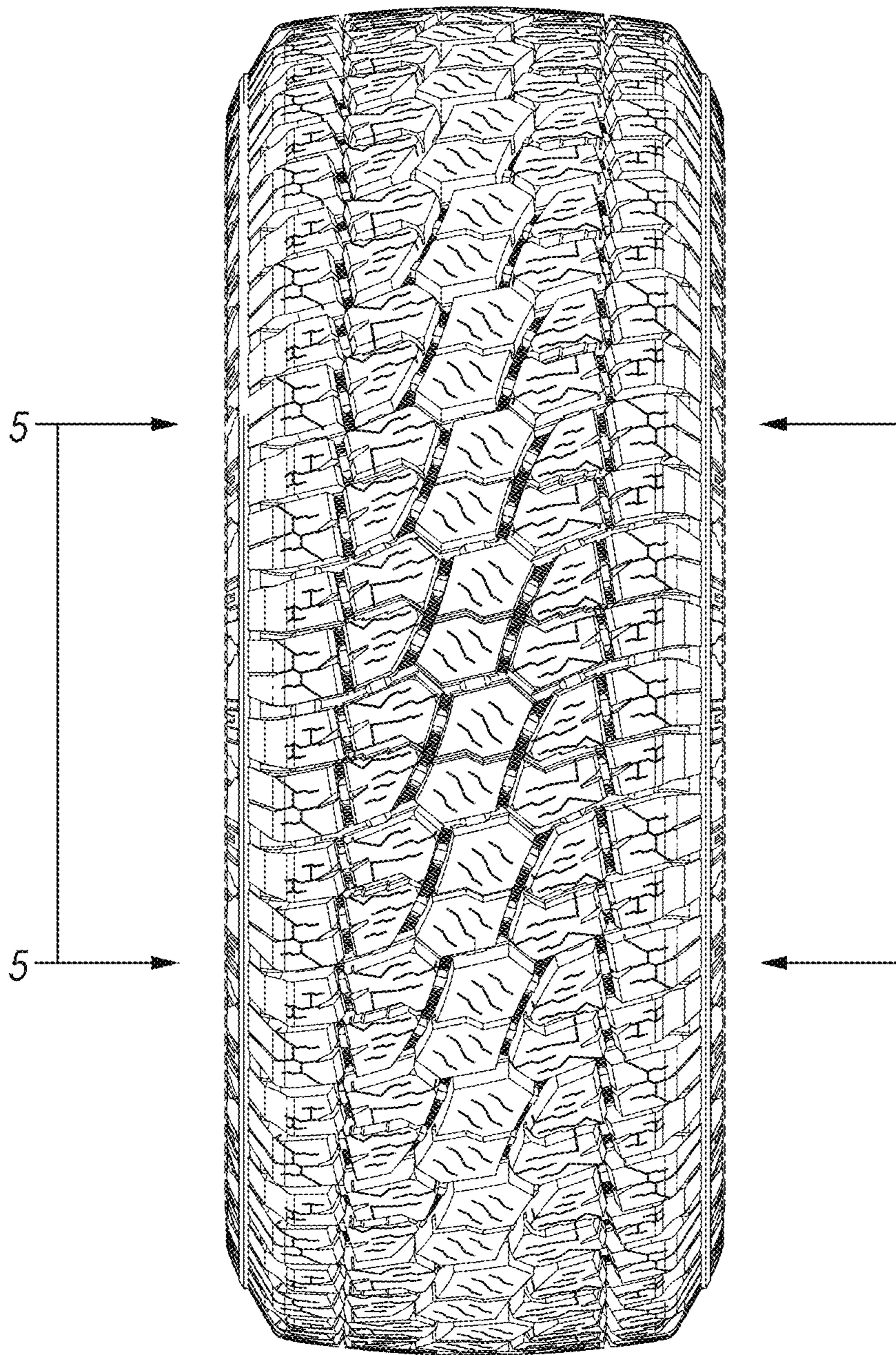


FIG. 2

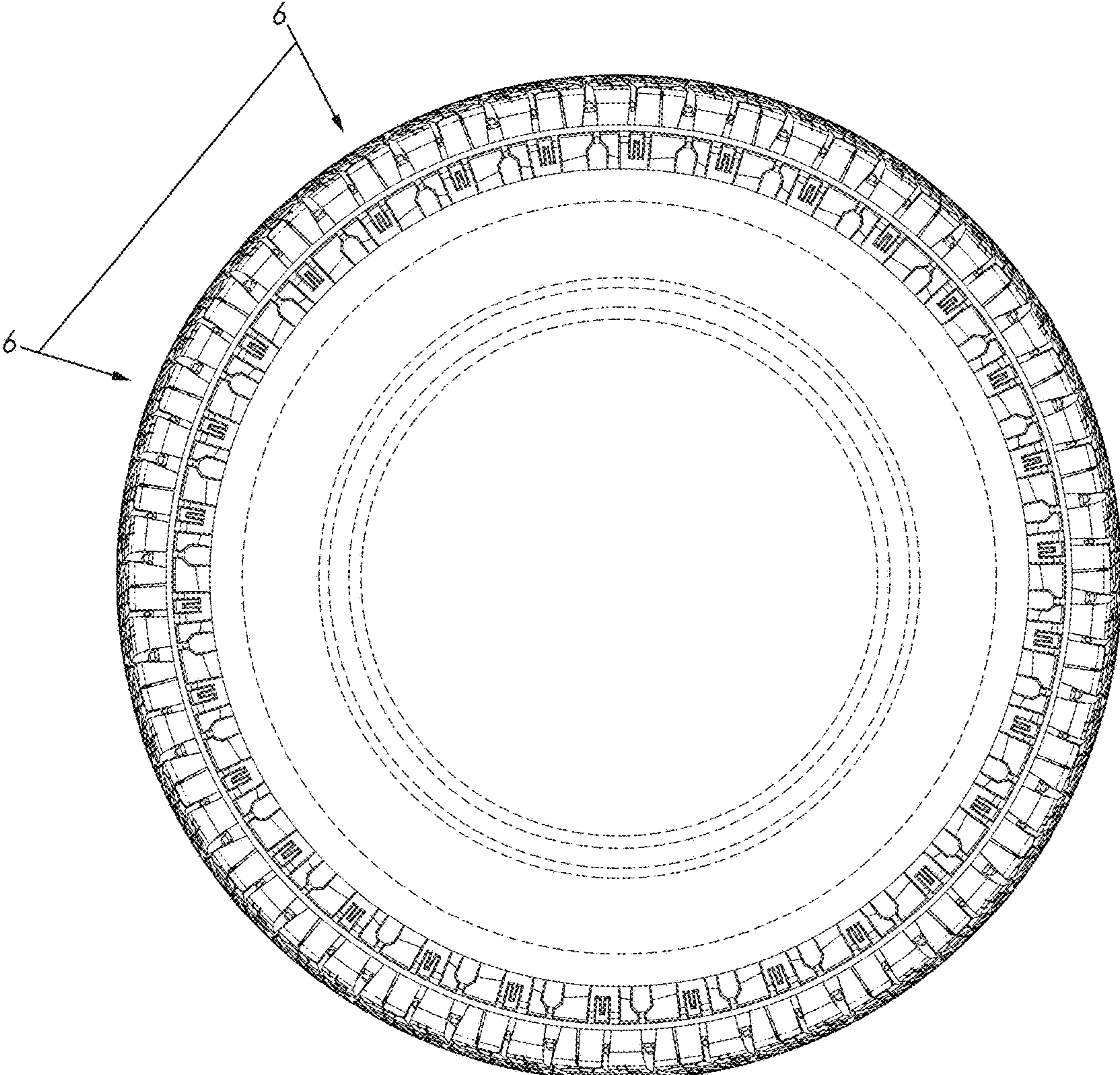


FIG. 3

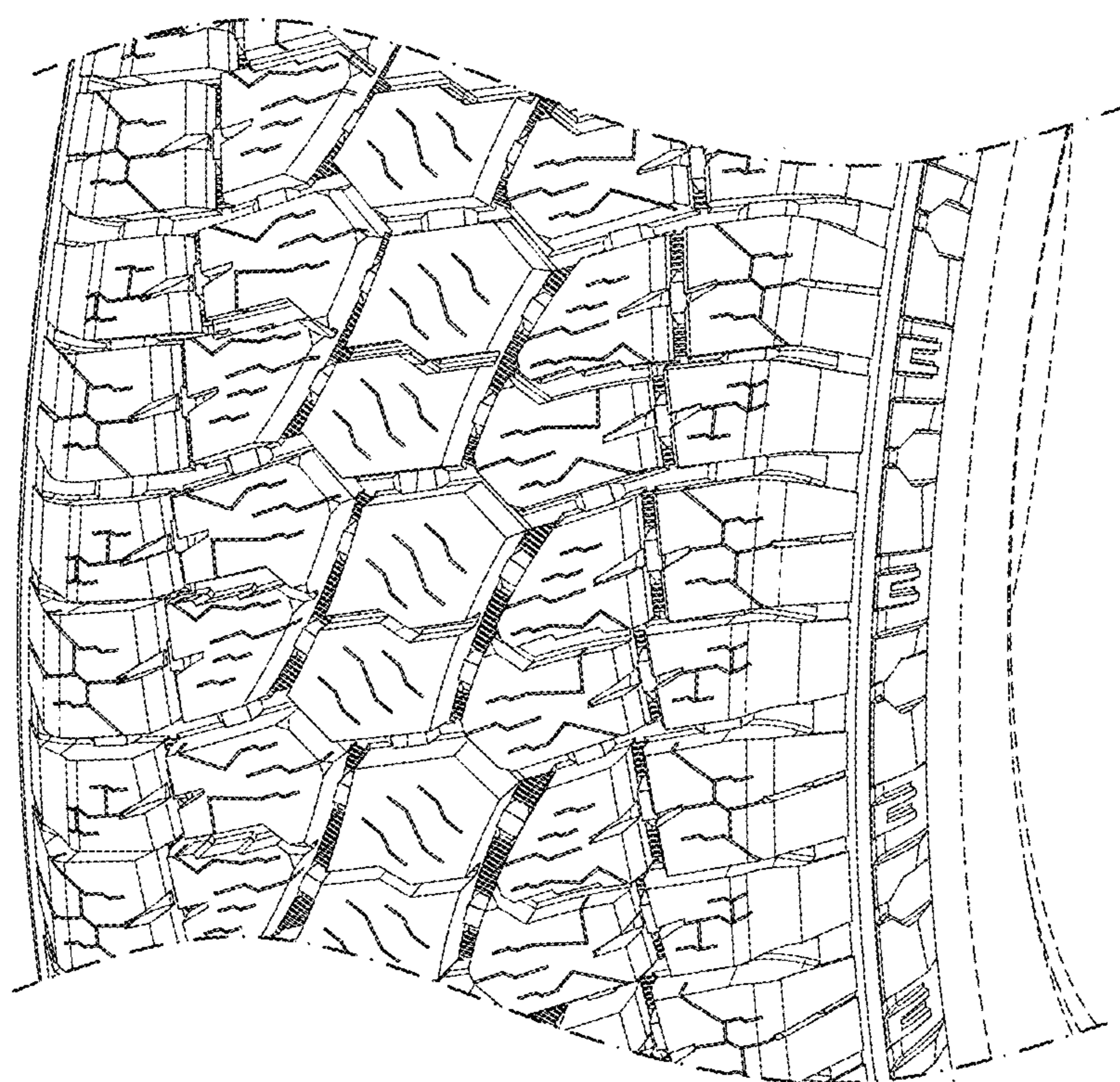


FIG. 4

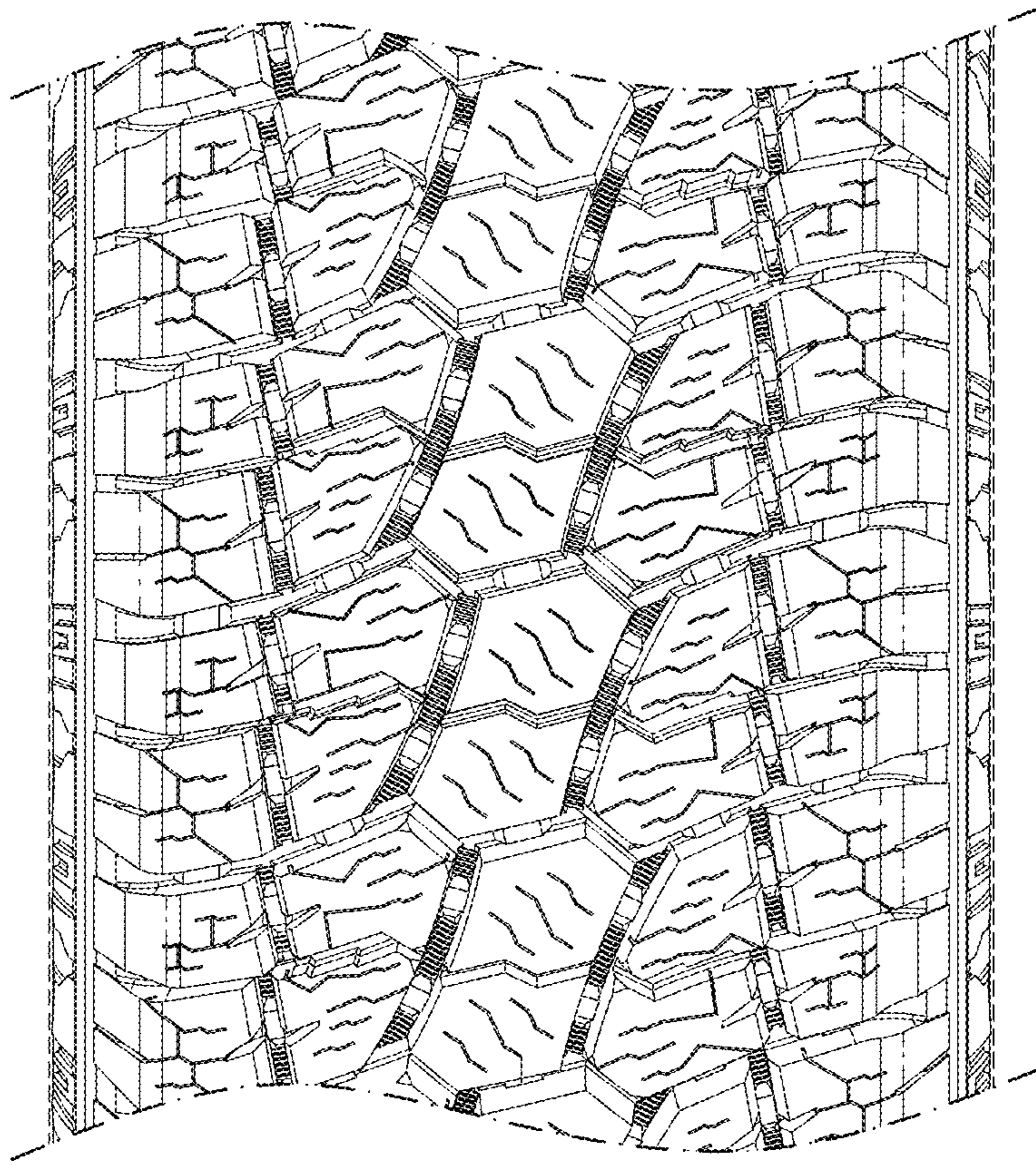


FIG. 5

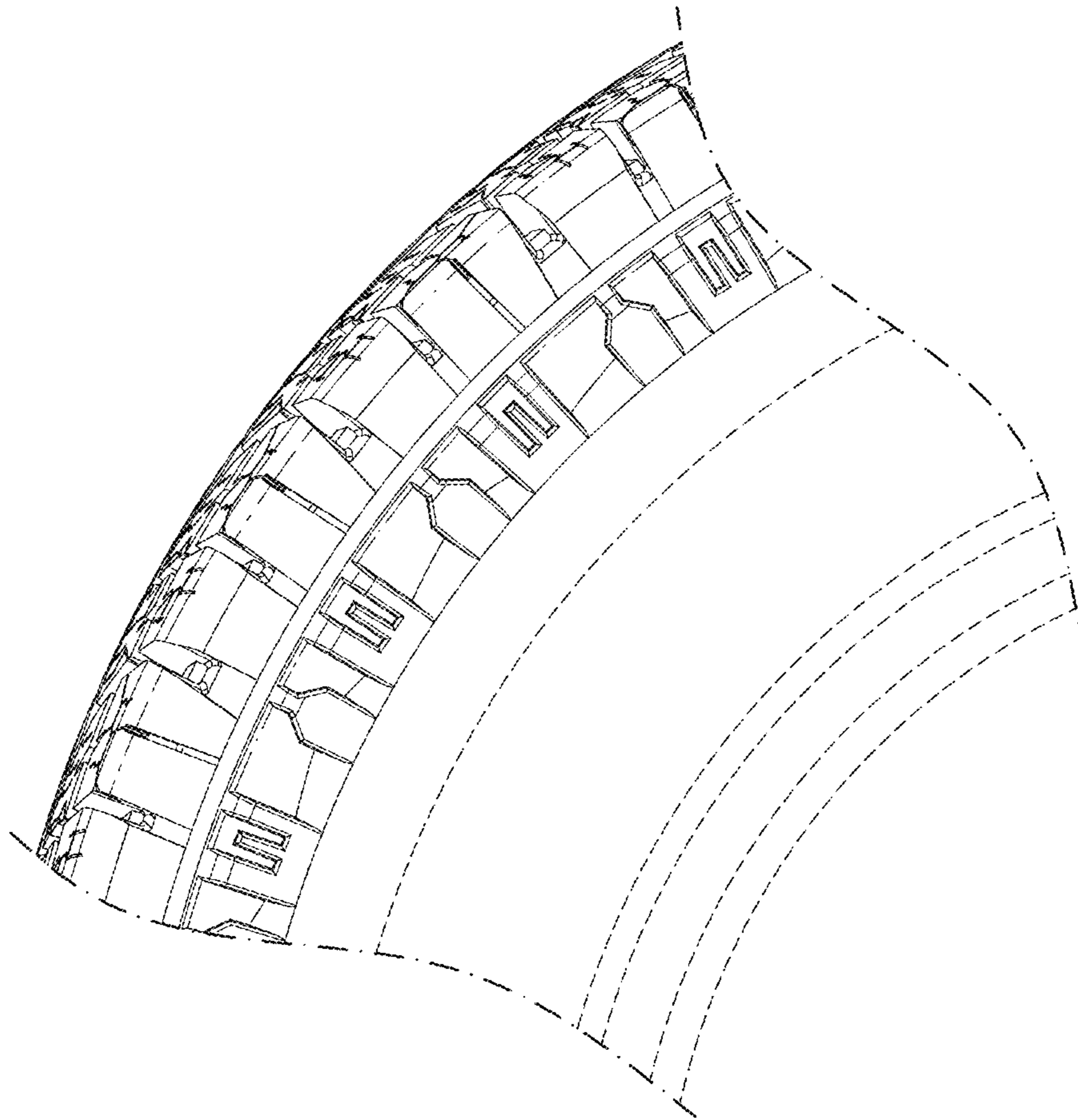


FIG. 6