



US00D780098S

(12) **United States Design Patent**
Sareen

(10) **Patent No.:** **US D780,098 S**

(45) **Date of Patent:** **** Feb. 28, 2017**

(54) **TIRE TREAD**

(71) Applicant: **Omni United (S) Pte Ltd.**, Singapore
(SG)

(72) Inventor: **Gajendra Singh Sareen**, Singapore
(SG)

(73) Assignee: **Omni United (S) Pte Ltd.**, Singapore
(SG)

(**) Term: **15 Years**

(21) Appl. No.: **29/556,196**

(22) Filed: **Feb. 29, 2016**

(51) **LOC (10) Cl.** **12-15**

(52) **U.S. Cl.**
USPC **D12/579**

(58) **Field of Classification Search**
USPC D12/568-604, 900
CPC B60C 1/0016; B60C 11/0306; B60C
11/0302; B60C 3/06; B60C 9/17
See application file for complete search history.

(56) **References Cited**

U.S. PATENT DOCUMENTS

D277,092 S	1/1985	Nagayasu	
D350,508 S	9/1994	Evraert	
D516,014 S	2/2006	Fukunaga	
D537,407 S	2/2007	Dumigan et al.	
D551,161 S	9/2007	Beaubras et al.	
D568,233 S	5/2008	Dixon et al.	
D578,953 S	10/2008	Umstot et al.	
D580,347 S *	11/2008	Lo	D12/579
D582,836 S	12/2008	Harvey et al.	
D586,735 S	2/2009	Lo	
D621,342 S *	8/2010	Osaka	D12/579
D626,913 S *	11/2010	Osaka	D12/600
D641,314 S	7/2011	Strader et al.	
D647,472 S	10/2011	Rittweger	

D653,195 S *	1/2012	Sareen	D12/579
D656,892 S	4/2012	Ochi	
D662,464 S	6/2012	Dixon et al.	
D678,831 S	3/2013	Hermann et al.	
D691,943 S *	10/2013	Ma	D12/579
D725,030 S	3/2015	Raatikainen et al.	
D729,151 S *	5/2015	Kim	D12/579

(Continued)

OTHER PUBLICATIONS

Omni Radar Renegade R7 Tire found online [Oct. 7, 2016] <http://www.tirereview.com/omni-launches-new-off-road-tire/>.*

Primary Examiner — Robert M Spear

Assistant Examiner — John Voytek

(74) *Attorney, Agent, or Firm* — Perkins Coie LLP

(57) **CLAIM**

The ornamental design for a tire tread, as shown and described.

DESCRIPTION

FIG. 1 is a perspective view of a tire tread, showing my new design;

FIG. 2 is a front view thereof;

FIG. 3 is a side view thereof;

FIG. 4 is an enlarged perspective view of a section of the tire tread defined by lines 4-4 in FIG. 1;

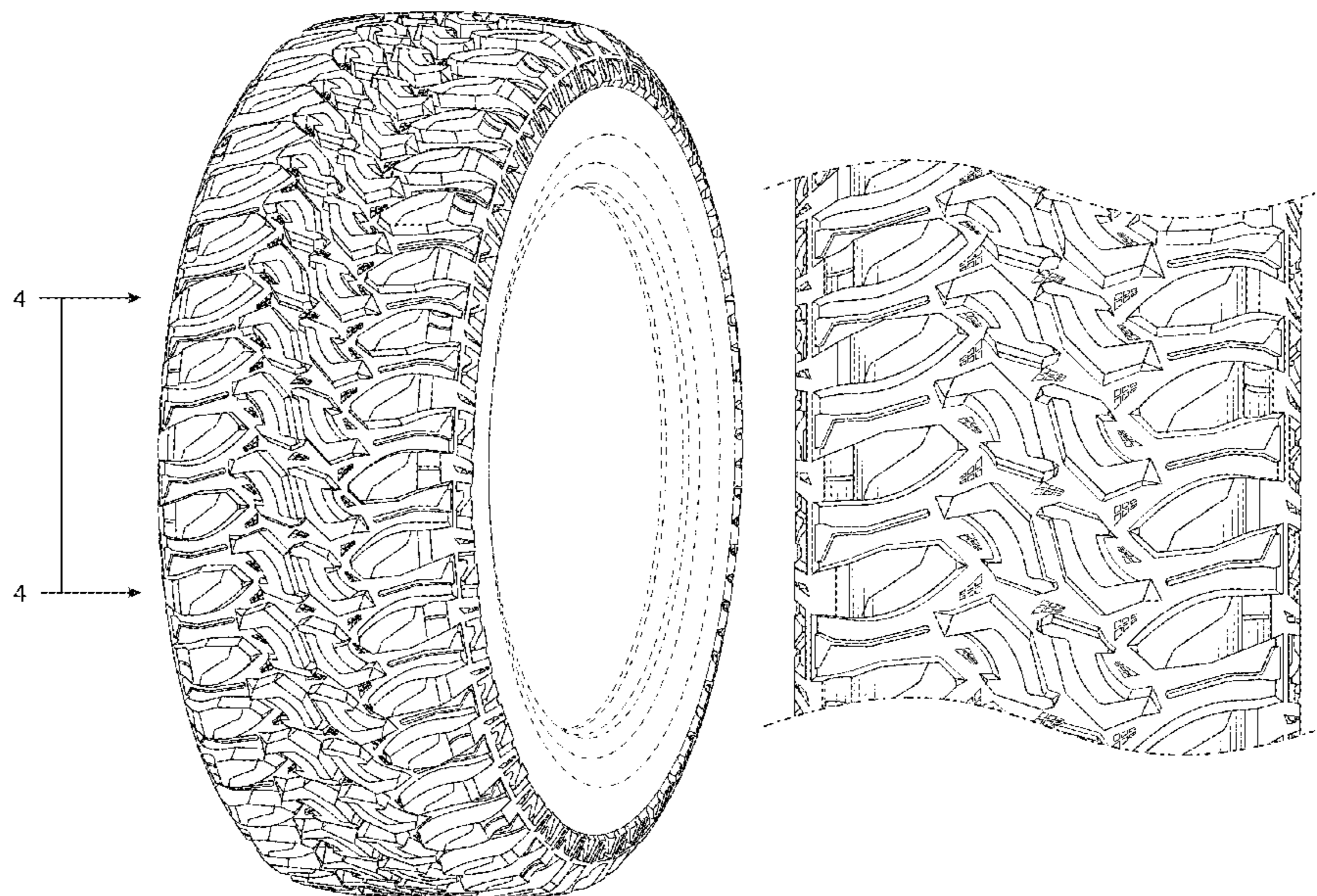
FIG. 5 is an enlarged front view of a section of the tire tread as defined by lines 5-5 in FIG. 2; and,

FIG. 6 is an enlarged side view of a section of the tire tread as defined by lines 6-6 in FIG. 3.

The broken lines in FIGS. 1-6 show portions of the tire tread or tire which form no part of the claimed design.

The dash dot lines on either side of the tire tread section in FIGS. 4-6 is for the purpose of illustrating the section cut lines of FIGS. 1-3 and form no part of the claim.

1 Claim, 6 Drawing Sheets



(56)

References Cited

U.S. PATENT DOCUMENTS

D732,463 S * 6/2015 Petr D12/579
D733,039 S * 6/2015 Sareen D12/579
D744,412 S * 12/2015 Schimmoeller D12/599

* cited by examiner

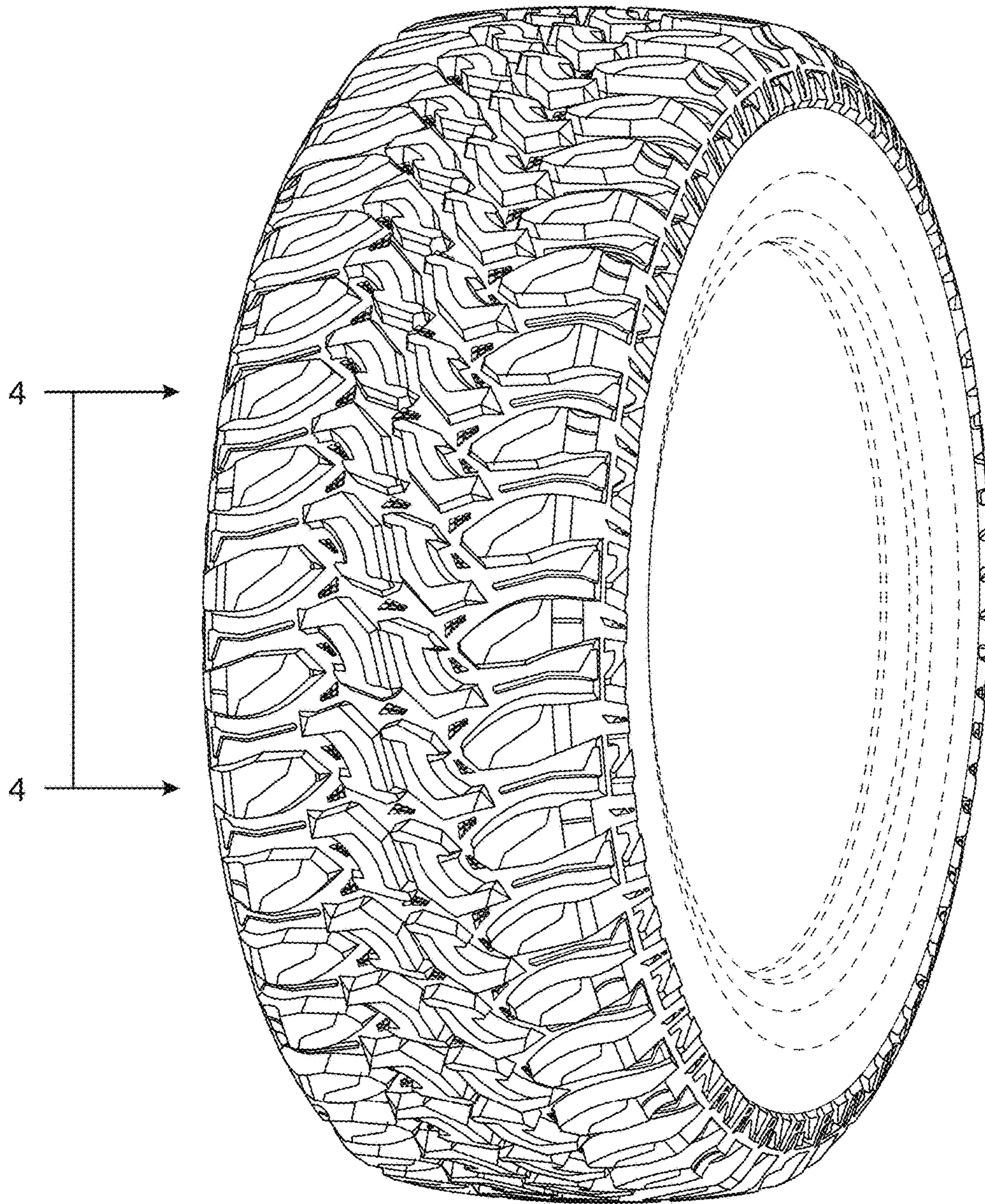


FIG. 1

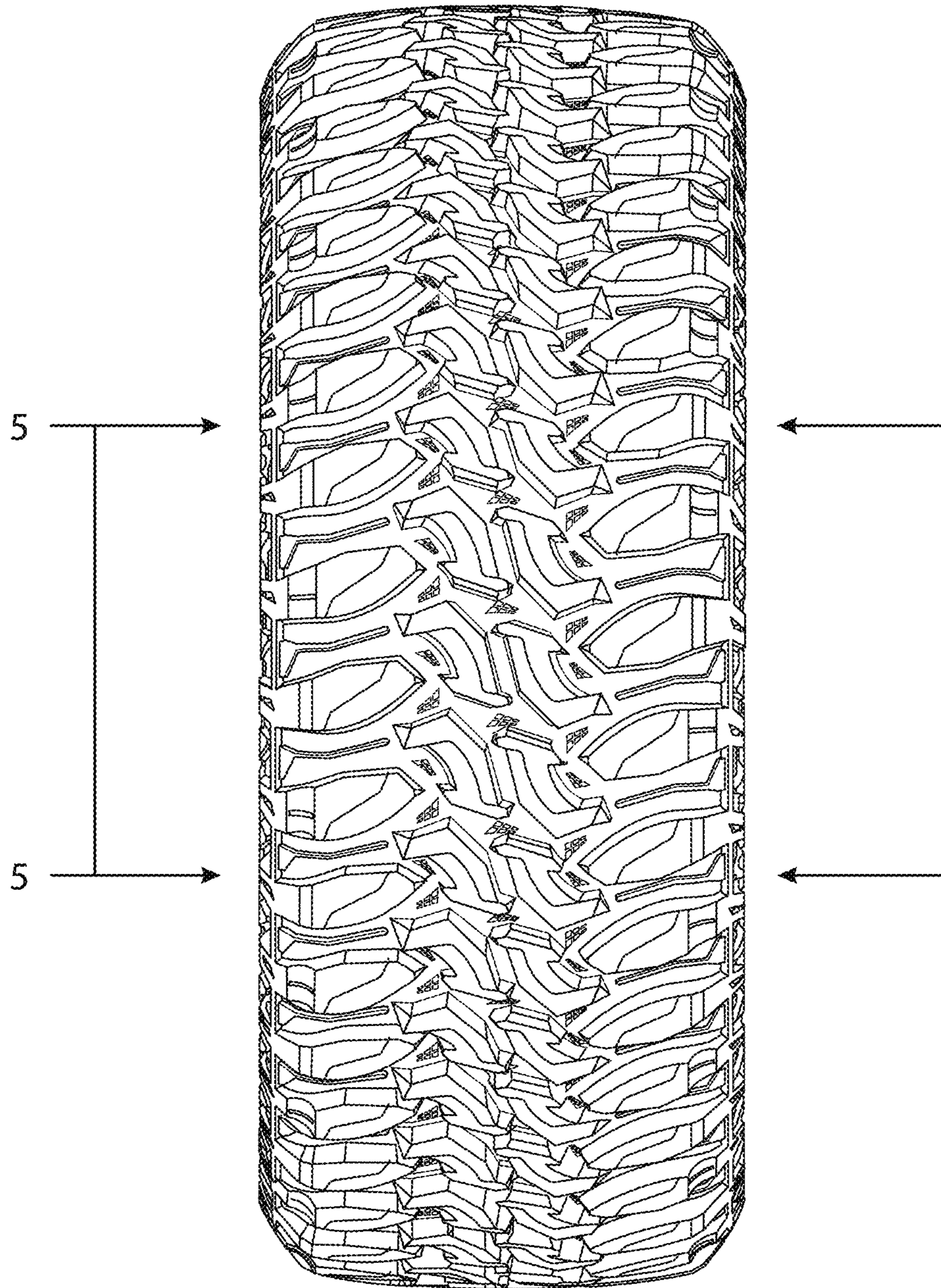


FIG. 2

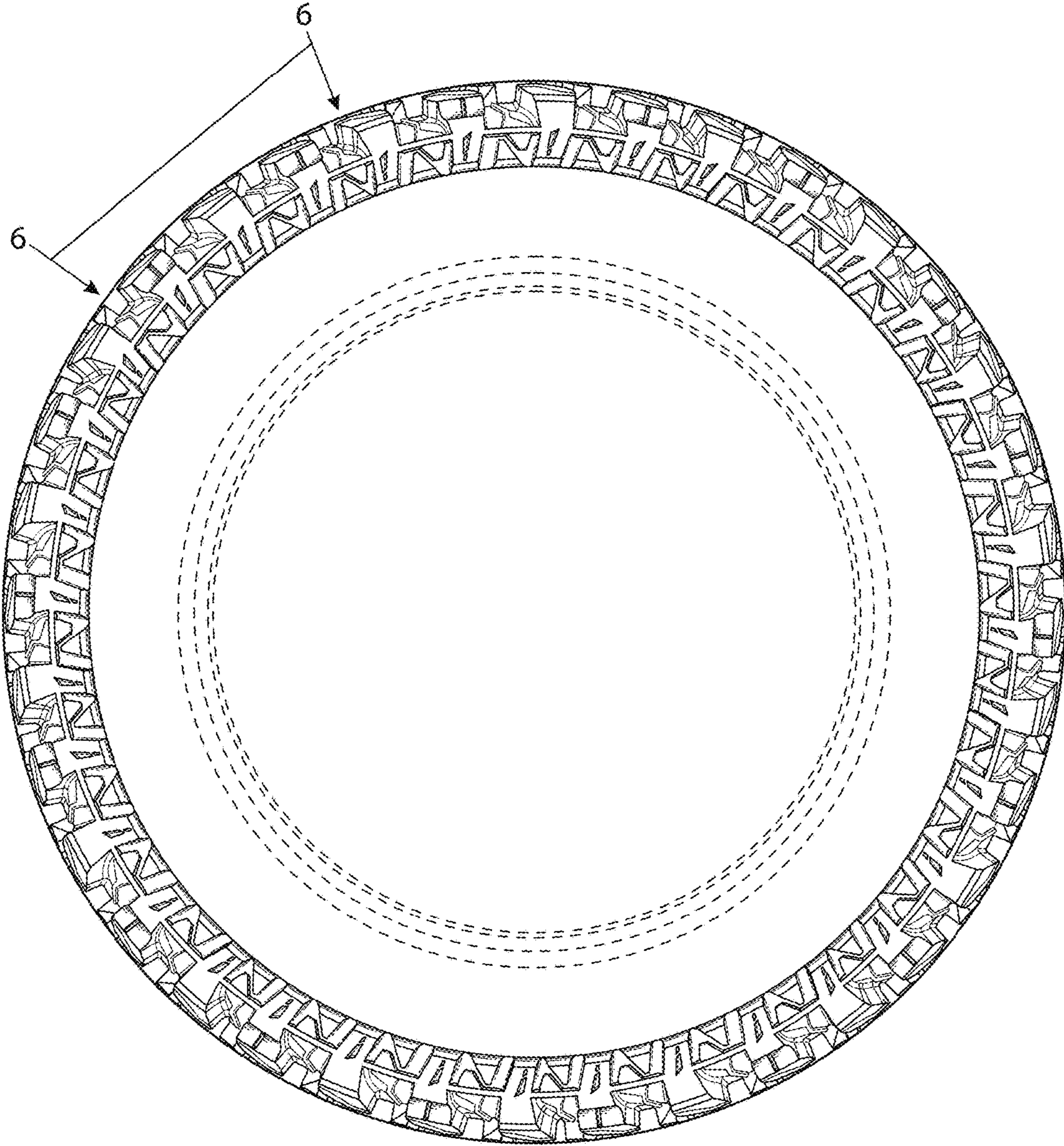


FIG. 3

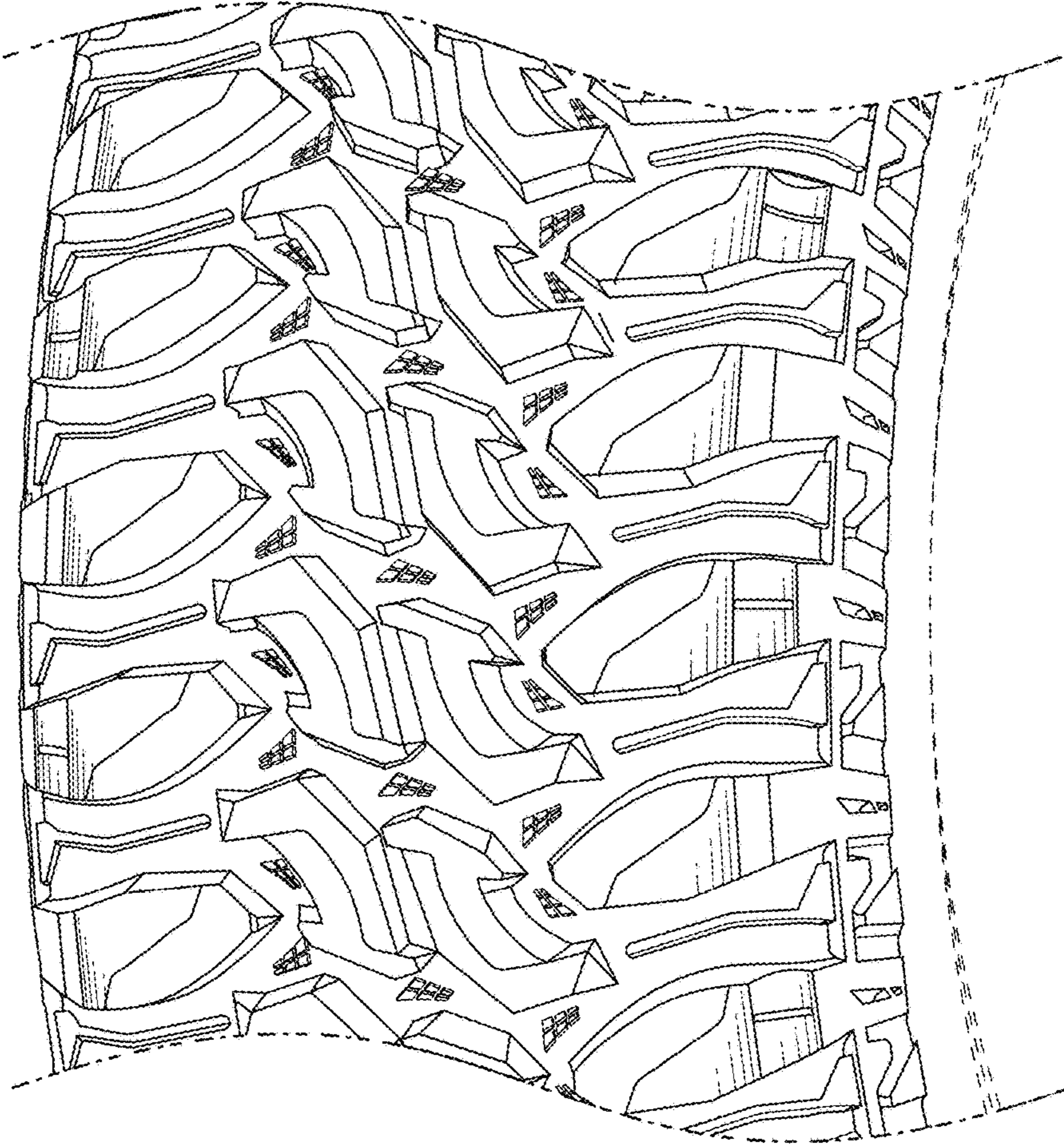


FIG. 4

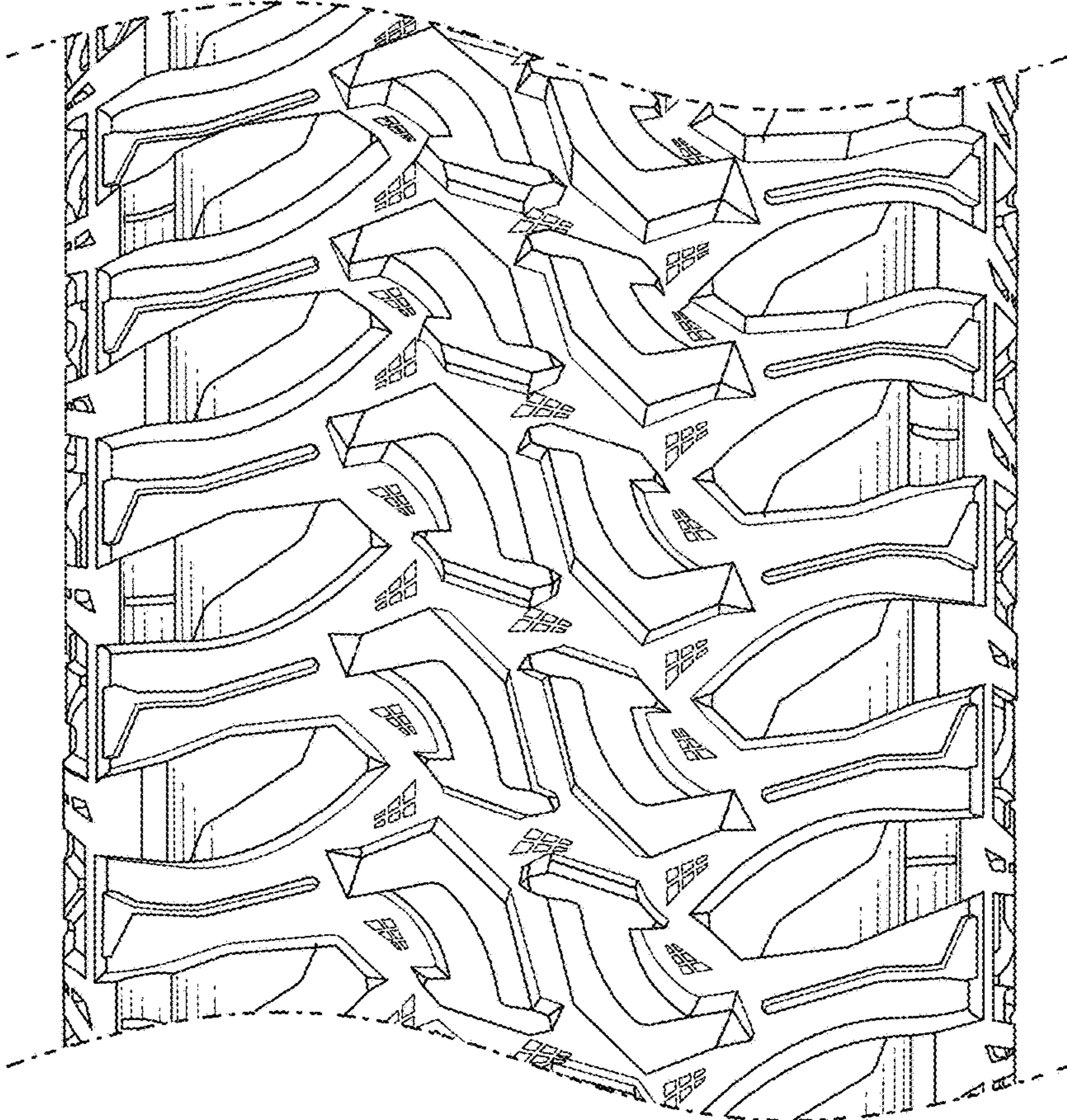


FIG. 5

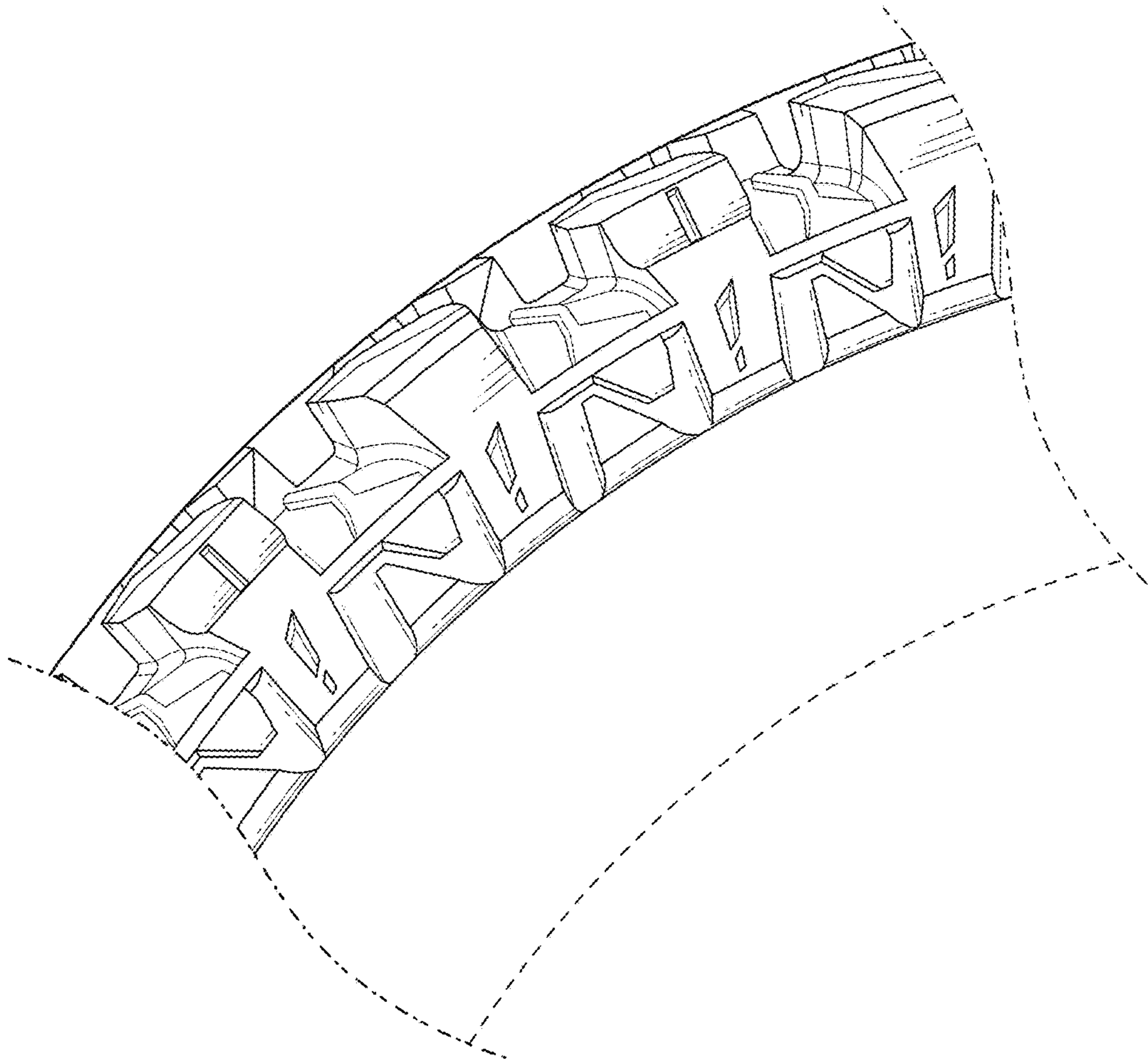


FIG. 6