



US00D780087S

(12) **United States Design Patent** (10) **Patent No.:** **US D780,087 S**  
**Deurr et al.** (45) **Date of Patent:** **\*\* Feb. 28, 2017**

(54) **PONTOON BOAT WITH CUDDY CABIN**  
 (71) Applicant: **PREMIER MARINE, INC.**, Wyoming, MN (US)  
 (72) Inventors: **John Deurr**, Stacy, MN (US); **David Grovender**, North Branch, MN (US)  
 (73) Assignee: **Premier Marine, Inc.**, Wyoming, MN (US)

D516,495 S 3/2006 Menne  
 D520,441 S \* 5/2006 Guvenc ..... D12/300  
 7,040,248 B1 \* 5/2006 Whitfield ..... B63B 29/06  
 104/45  
 7,117,646 B2 \* 10/2006 Blaisdell ..... B63B 17/00  
 114/361  
 8,944,867 B2 2/2015 Grovender  
 9,403,581 B2 \* 8/2016 Kalil ..... B63B 29/02  
 2004/0266282 A1 \* 12/2004 Hahn ..... B63B 29/02  
 440/77  
 2009/0120341 A1 5/2009 Kalil  
 (Continued)

(\*\*) Term: **15 Years**

*Primary Examiner* — Cynthia M Chin  
 (74) *Attorney, Agent, or Firm* — Winthrop & Weinstine, P.A.

(21) Appl. No.: **29/534,697**

(22) Filed: **Jul. 30, 2015**

(57) **CLAIM**

(51) **LOC (10) Cl.** ..... **12-06**

The ornamental design for a pontoon boat with cuddy cabin, as shown and described.

(52) **U.S. Cl.**

USPC ..... **D12/318**

(58) **Field of Classification Search**

USPC ..... D12/300–318

CPC ..... B63B 29/00; B63B 29/02; B63B 29/029;

B63B 29/14; B63B 29/145

See application file for complete search history.

**DESCRIPTION**

FIG. 1 is a perspective and partially disassembled view of a pontoon boat with cuddy cabin;

FIG. 2 is a perspective view of the pontoon boat with cuddy cabin of FIG. 1 as viewed from underneath;

FIG. 3 is a perspective view of a cuddy cabin section of the pontoon boat with cuddy cabin of FIG. 1, shown separately for the clarity of illustration;

FIG. 4 is a top view of FIG. 3;

FIG. 5 is a bottom view of FIG. 3;

FIG. 6 is a right side view of FIG. 3;

FIG. 7 is a left side view of FIG. 3;

FIG. 8 is a front view of FIG. 3;

FIG. 9 is a rear view of FIG. 3;

FIG. 10 is a perspective view of the deck of the pontoon boat illustrated in FIG. 1, shown separately for the clarity of illustration; and,

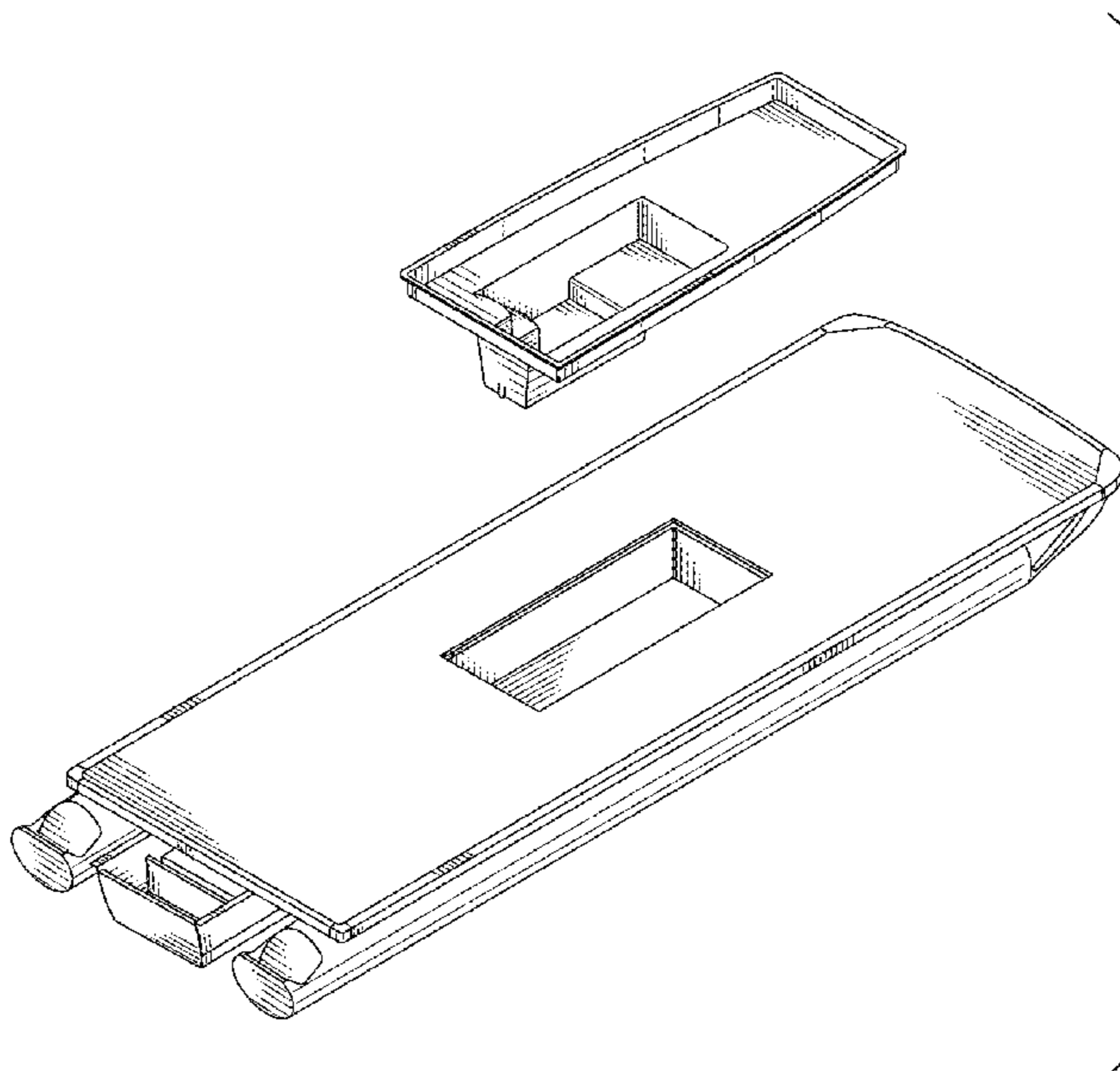
FIG. 11 is a top view of FIG. 10.

(56) **References Cited**

U.S. PATENT DOCUMENTS

4,092,754 A 6/1978 Yost  
 4,425,861 A \* 1/1984 Raikamo ..... B63B 29/02  
 114/202  
 4,685,411 A \* 8/1987 Wick ..... B63B 29/02  
 114/202  
 4,729,334 A \* 3/1988 DeJean, Jr. .... B63B 29/04  
 114/255  
 5,029,348 A \* 7/1991 Boren ..... B63B 29/14  
 4/312  
 5,209,177 A 5/1993 Granie et al.  
 D341,566 S \* 11/1993 Brooks ..... D12/310  
 6,701,863 B2 \* 3/2004 Kalhok ..... B63B 17/02  
 114/343

**1 Claim, 9 Drawing Sheets**



(56)

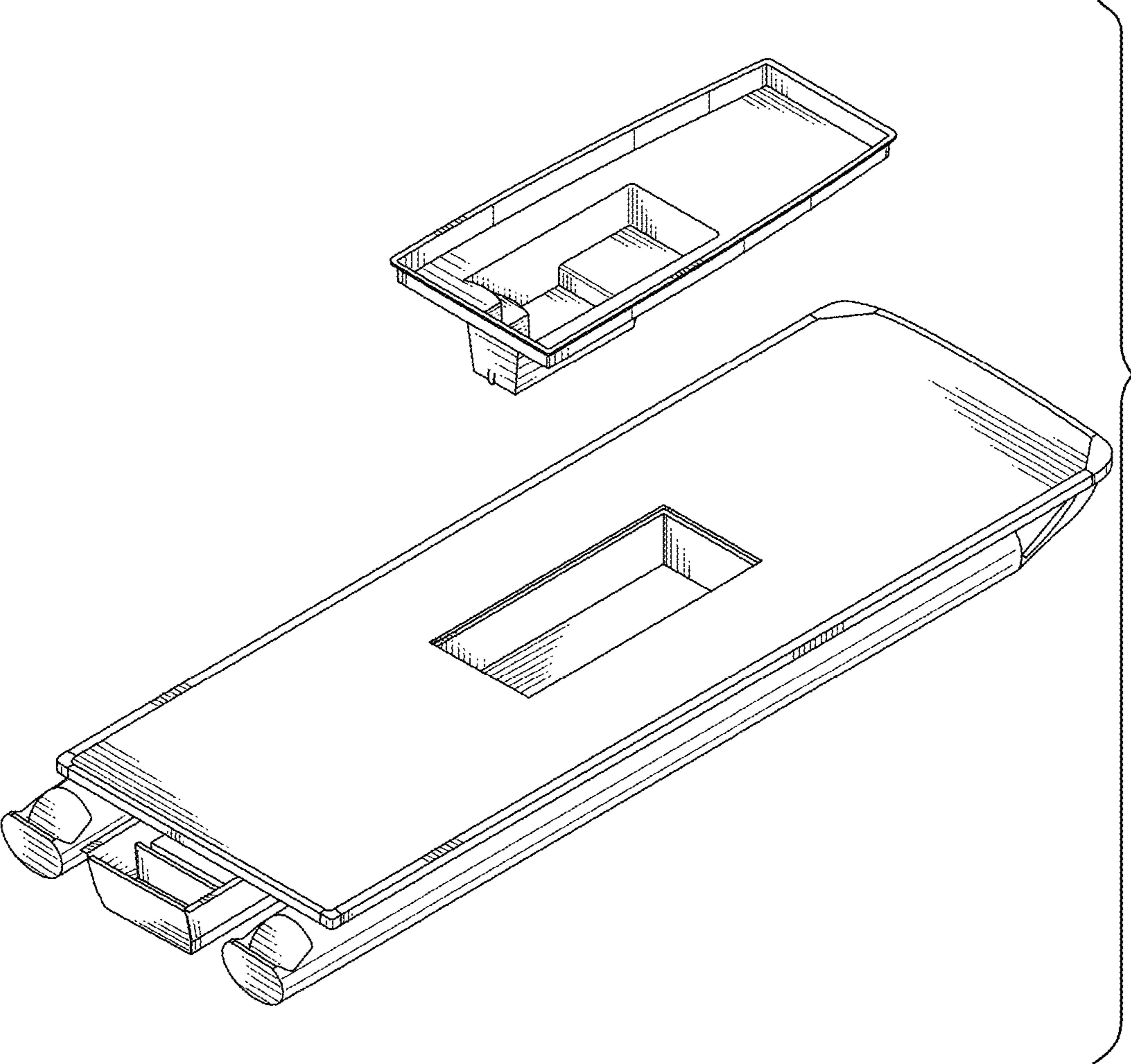
**References Cited**

U.S. PATENT DOCUMENTS

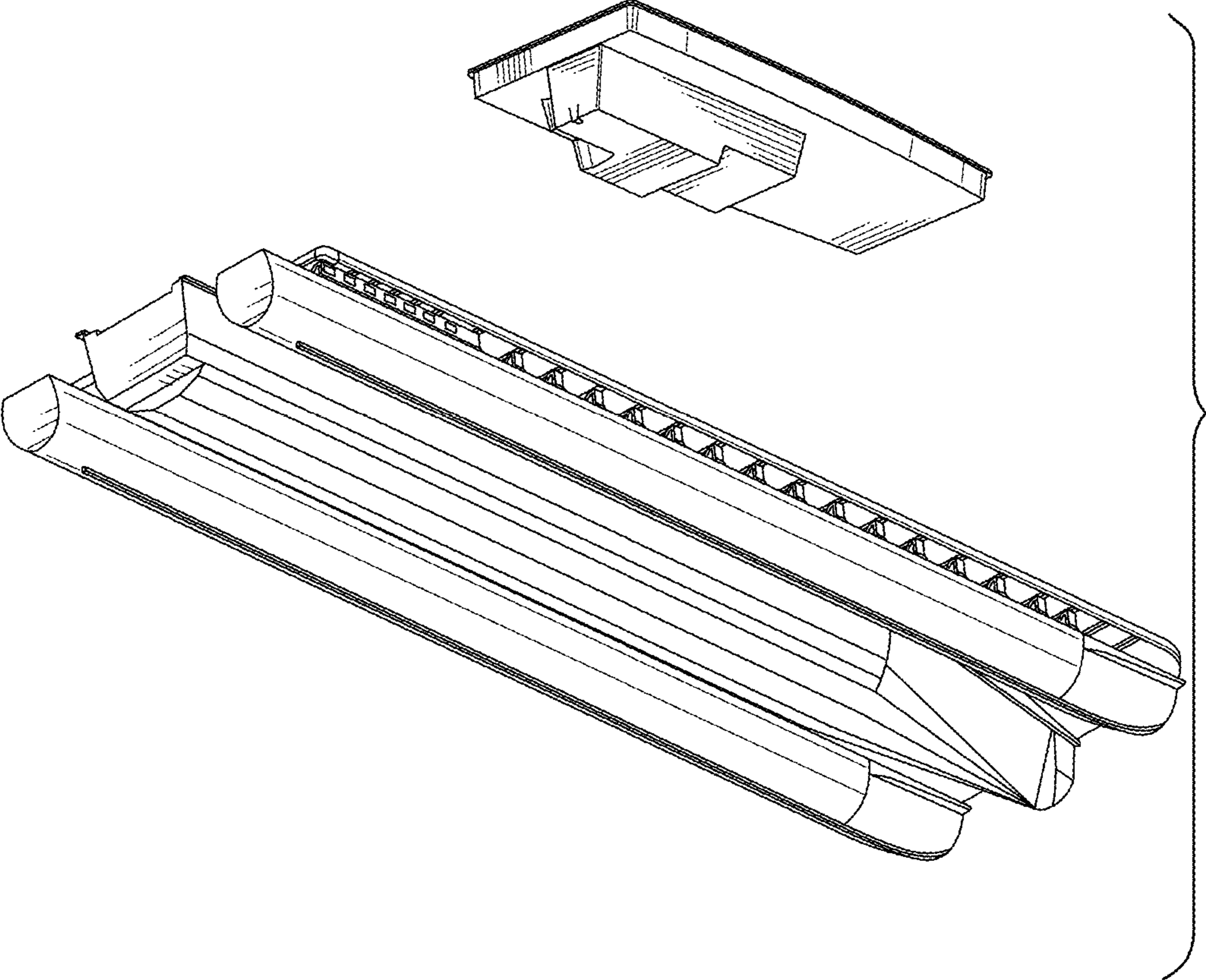
2011/0197800 A1 8/2011 Kalil  
2015/0013585 A1 1/2015 Kalil  
2015/0232151 A1\* 8/2015 Fuller, IV ..... B63B 19/18  
114/117

\* cited by examiner

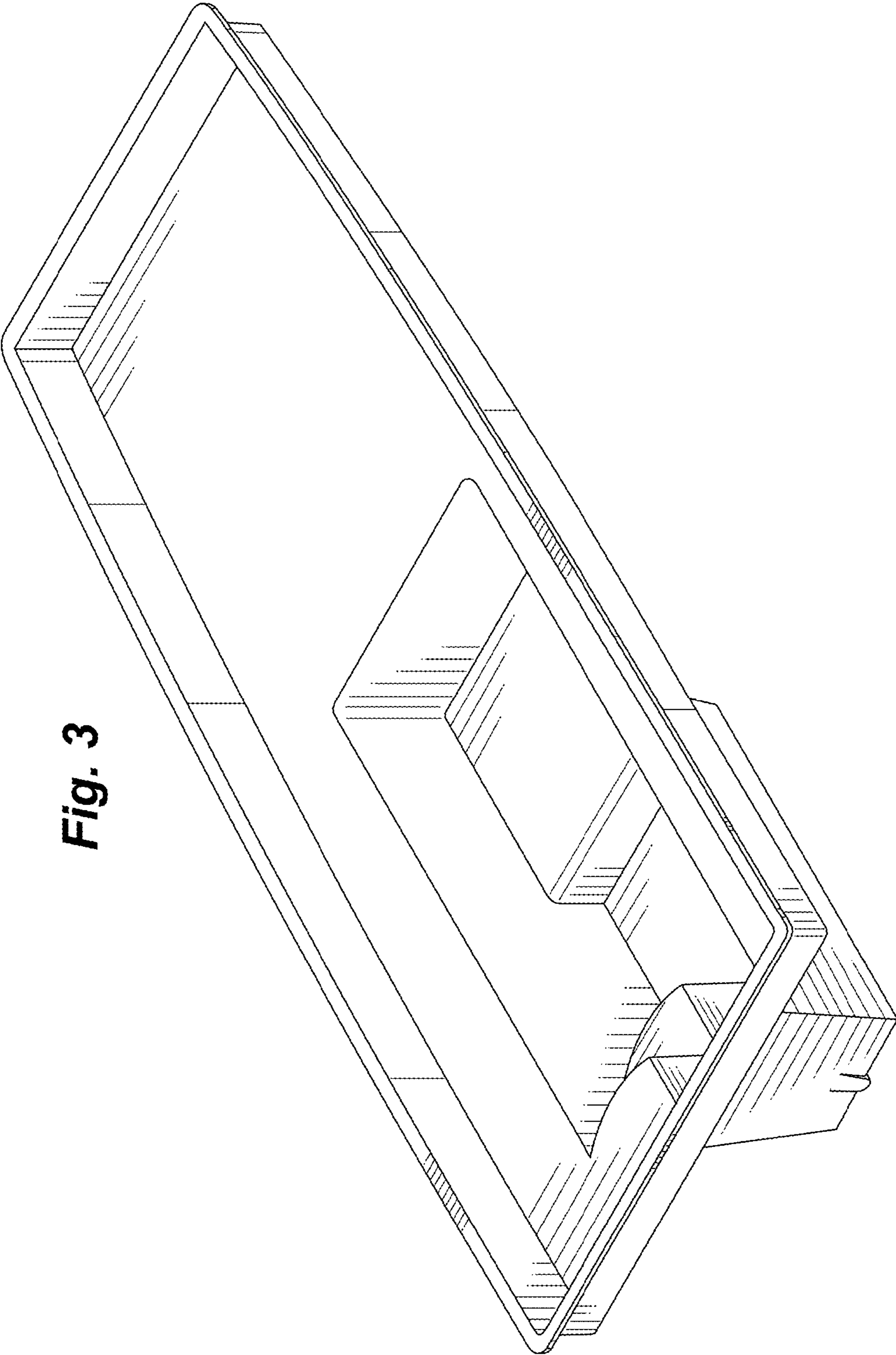
**Fig. 1**



**Fig. 2**

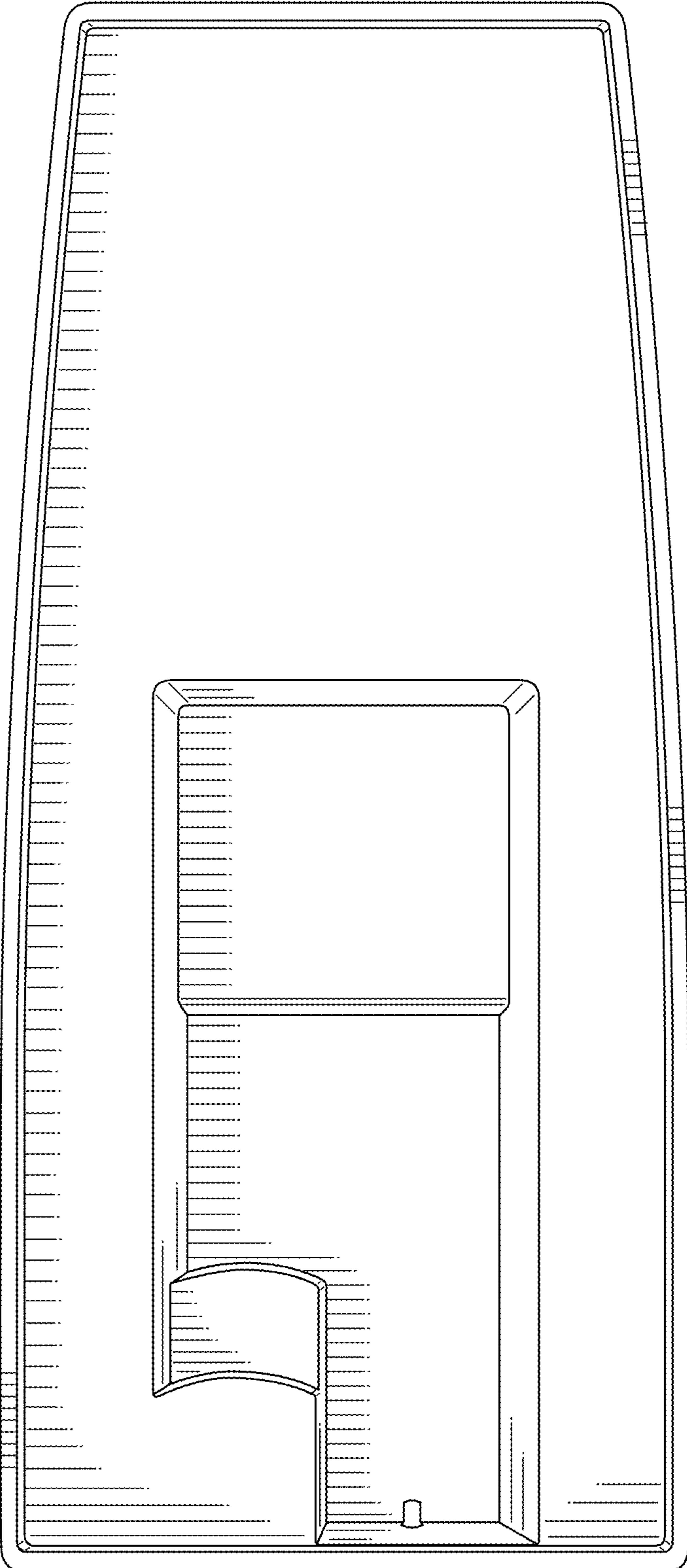




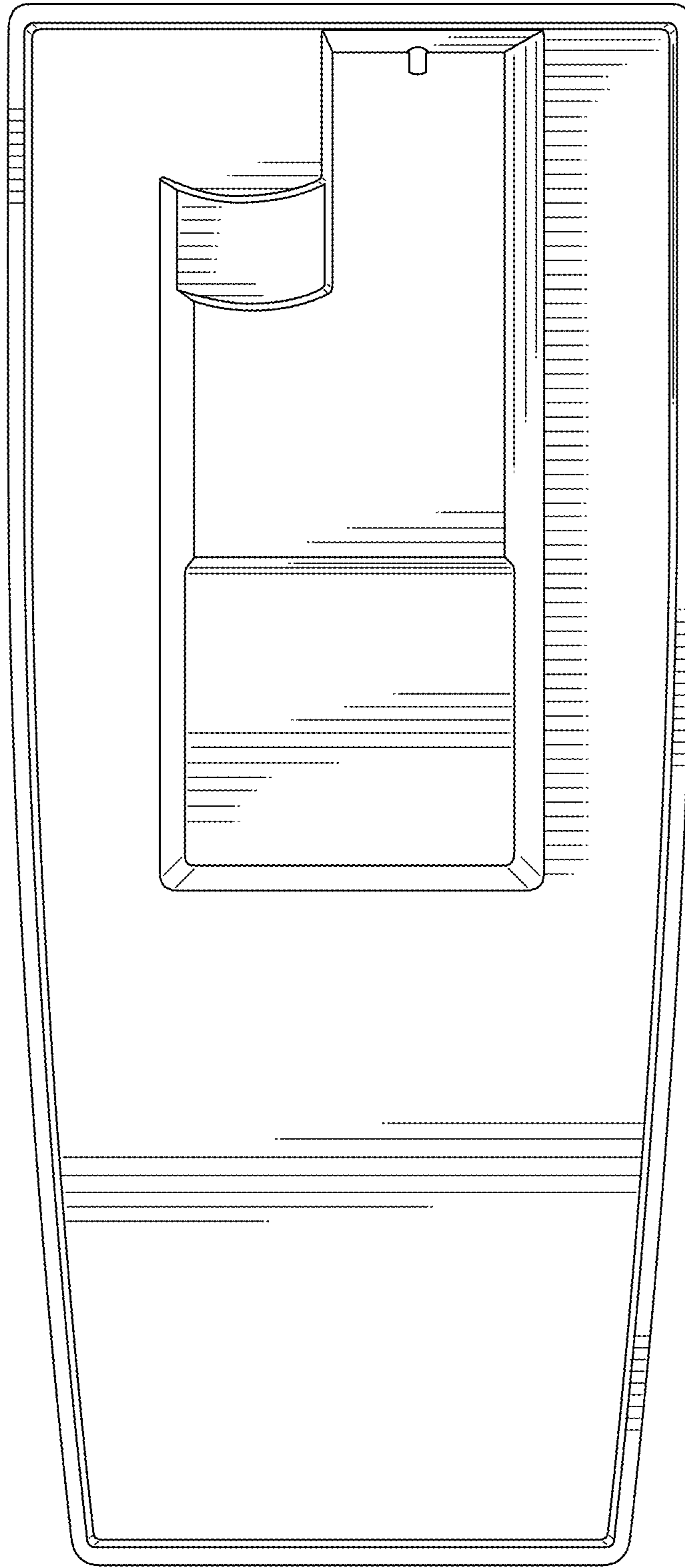


**Fig. 3**

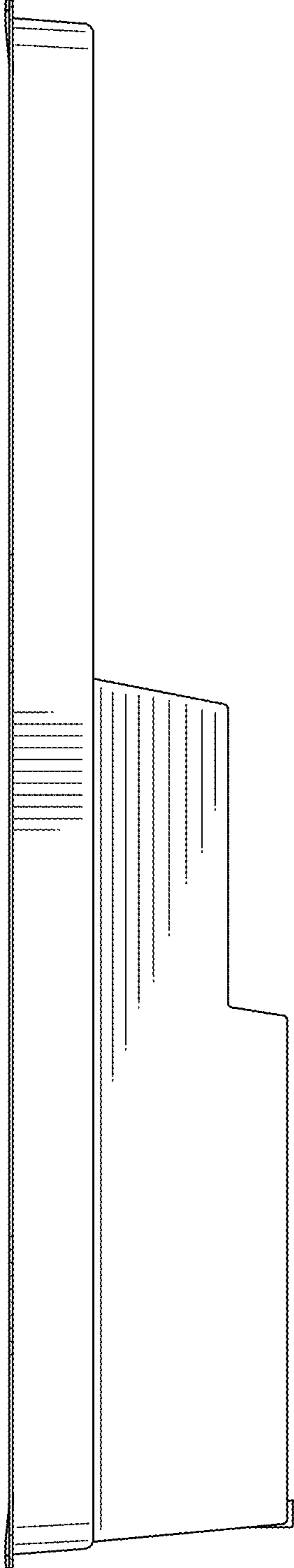
**Fig. 4**



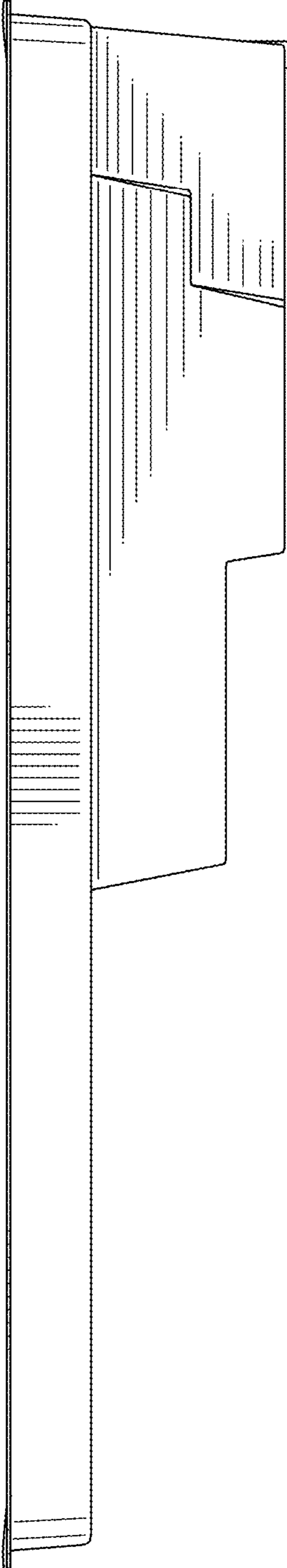
**Fig. 5**



**Fig. 6**

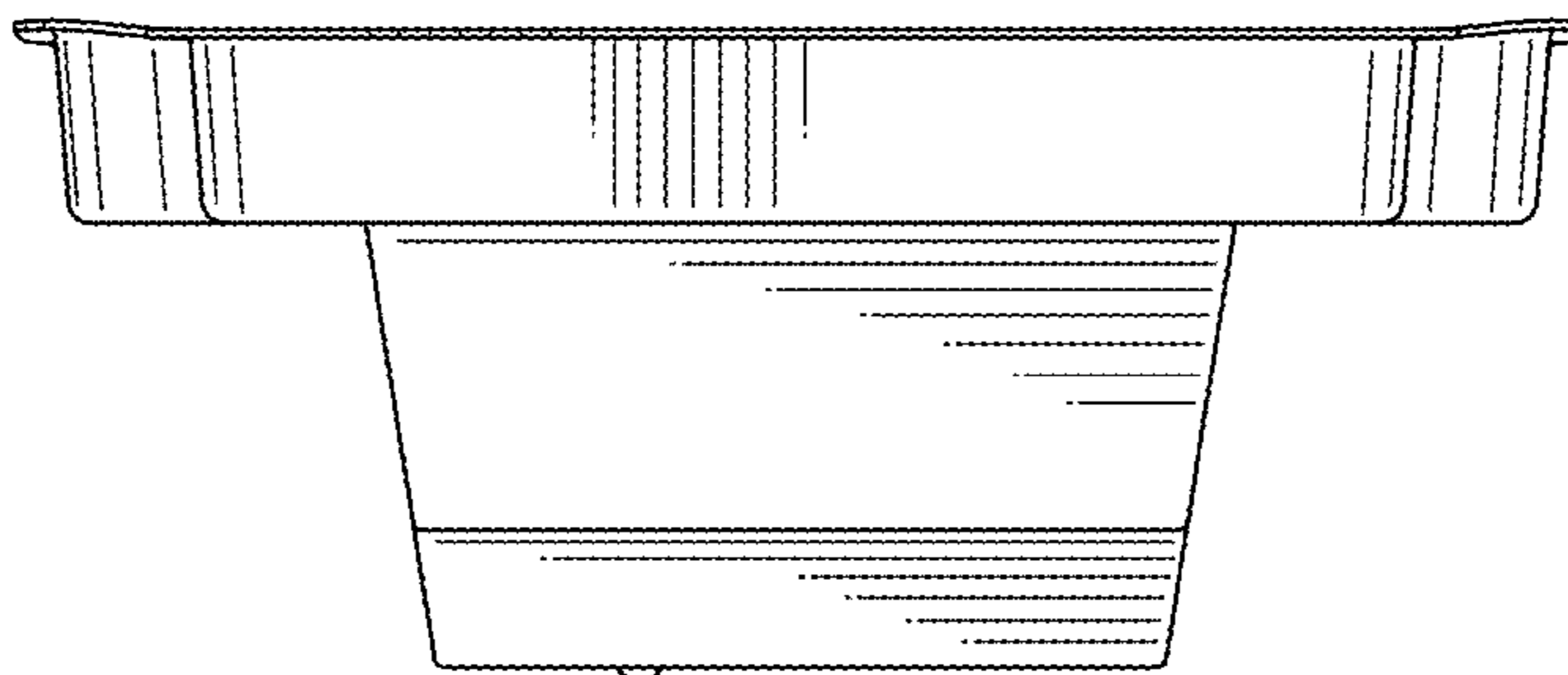


**Fig. 7**

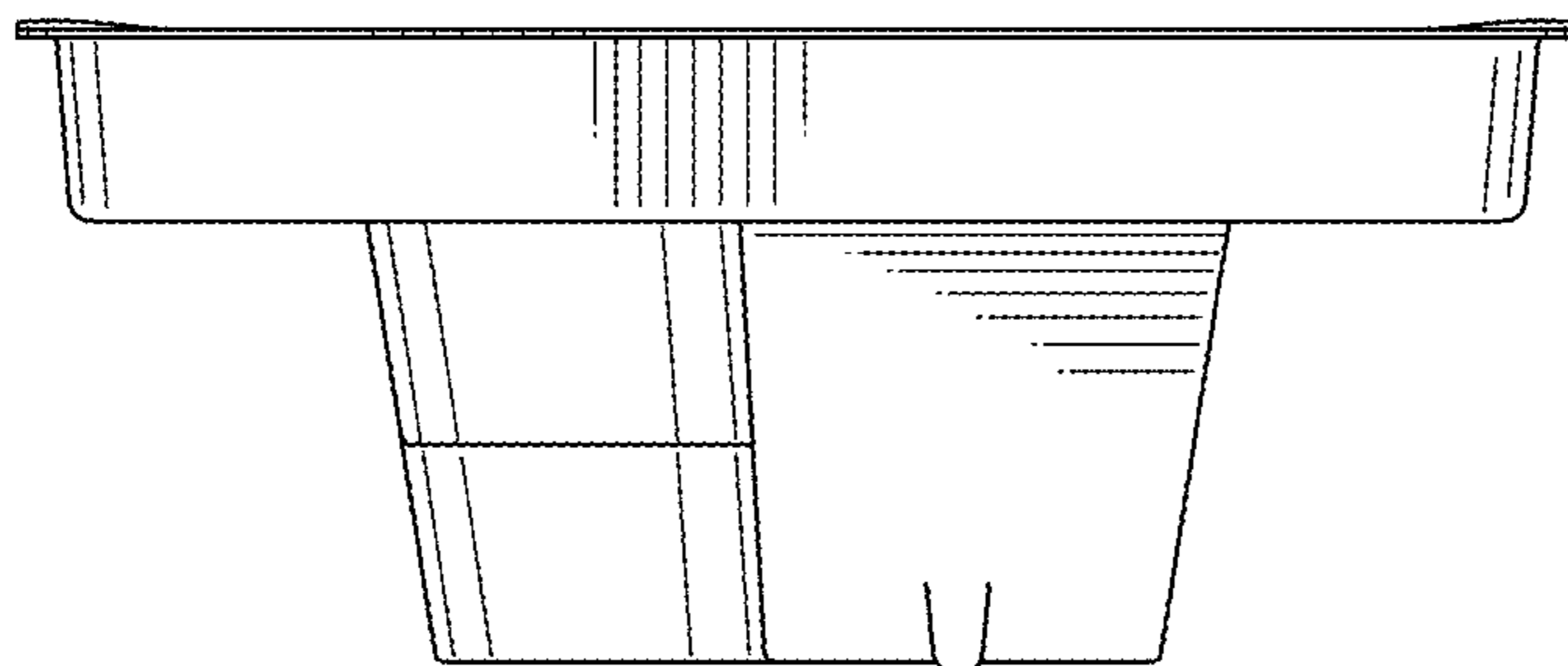


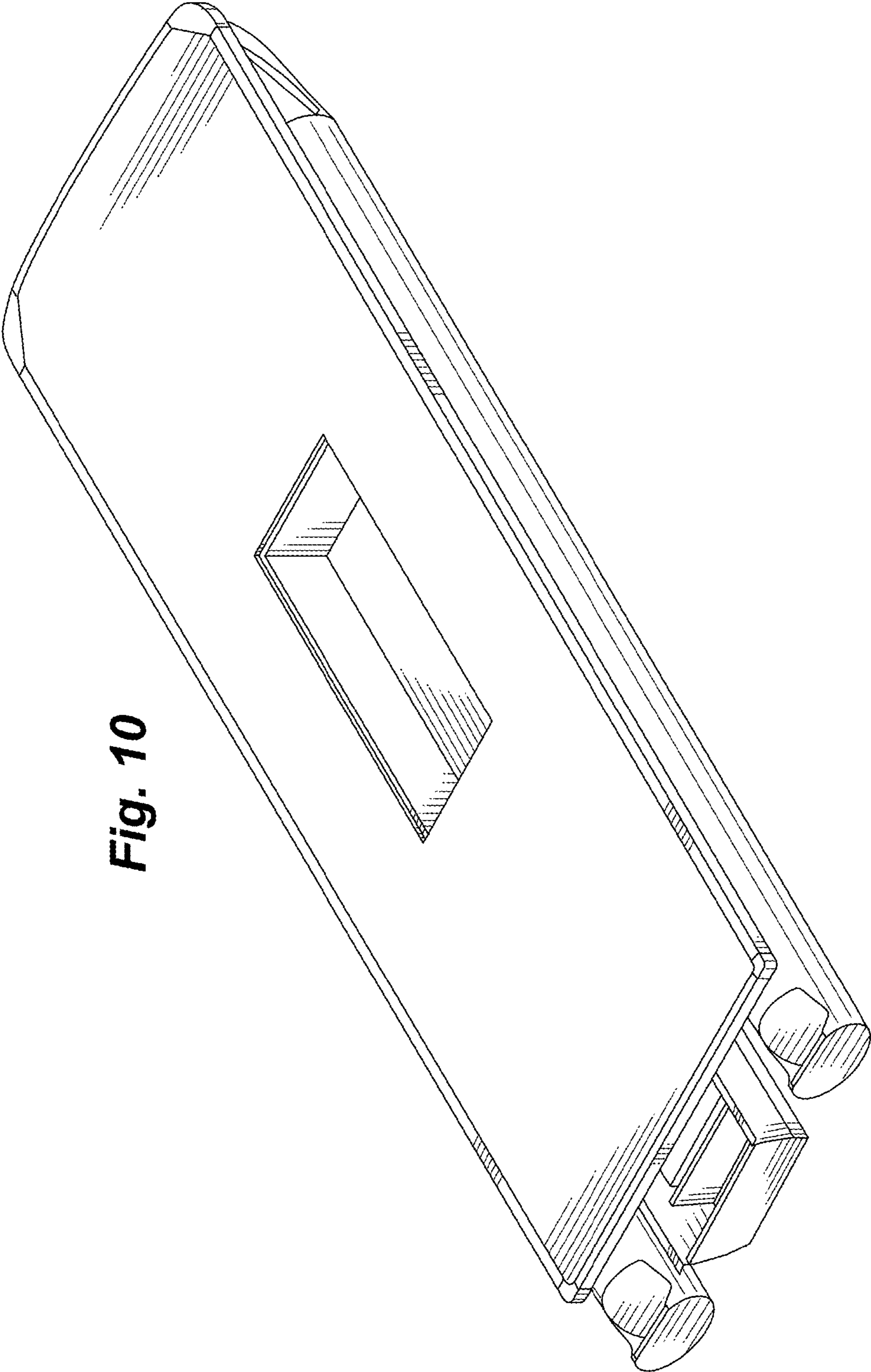


**Fig. 8**



**Fig. 9**





**Fig. 10**

**Fig. 11**

