



US00D780086S

(12) **United States Design Patent**
Galante et al.

(10) **Patent No.:** **US D780,086 S**

(45) **Date of Patent:** **** Feb. 28, 2017**

(54) **AUTOMOBILE WHEEL**

(71) Applicants: **Vincent J Galante**, Lake Orion, MI (US); **Brian H Nielander**, Royal Oak, MI (US); **Mark T Allen**, Oxford, MI (US)

(72) Inventors: **Vincent J Galante**, Lake Orion, MI (US); **Brian H Nielander**, Royal Oak, MI (US); **Mark T Allen**, Oxford, MI (US)

(73) Assignee: **FCA US LLC**, Auburn Hills, MI (US)

(**) Term: **15 Years**

(21) Appl. No.: **29/555,532**

(22) Filed: **Feb. 23, 2016**

(51) **LOC (10) Cl.** **12-16**

(52) **U.S. Cl.**
USPC **D12/210**

(58) **Field of Classification Search**
USPC D12/204–213
CPC B60B 7/00; B60B 7/02; B60B 7/04; B60B 7/01; B60B 7/06; B60B 3/02; B60B 3/04; B60B 3/06; B60B 3/10; B60B 1/00; B60B 1/08; B60B 1/10; B60B 1/12
See application file for complete search history.

(56) **References Cited**

U.S. PATENT DOCUMENTS

D206,709 S * 1/1967 Reid D12/209
D214,243 S * 5/1969 Reid D12/209

D219,967 S * 2/1971 Harty D12/210
D389,112 S * 1/1998 Chung D12/209
D436,909 S * 1/2001 Lotson D12/209
D436,910 S * 1/2001 Hale, Jr. D12/210
D438,156 S * 2/2001 Stehrenberger D12/209
D451,465 S * 12/2001 Donikoglu D12/210
D454,529 S * 3/2002 Pfeiffer D12/210
D486,109 S * 2/2004 Singer D12/210
D492,926 S * 7/2004 Fitzgerald D12/210
D515,002 S * 2/2006 Looho D12/210
D572,648 S * 7/2008 Musser D12/210
D590,759 S * 4/2009 Eaton D12/210
D593,475 S * 6/2009 Chung D12/210
D624,477 S * 9/2010 McMath D12/210
D701,156 S * 3/2014 McFarlin D12/210

* cited by examiner

Primary Examiner — Stacia Cadmus

(74) *Attorney, Agent, or Firm* — Ralph E Smith

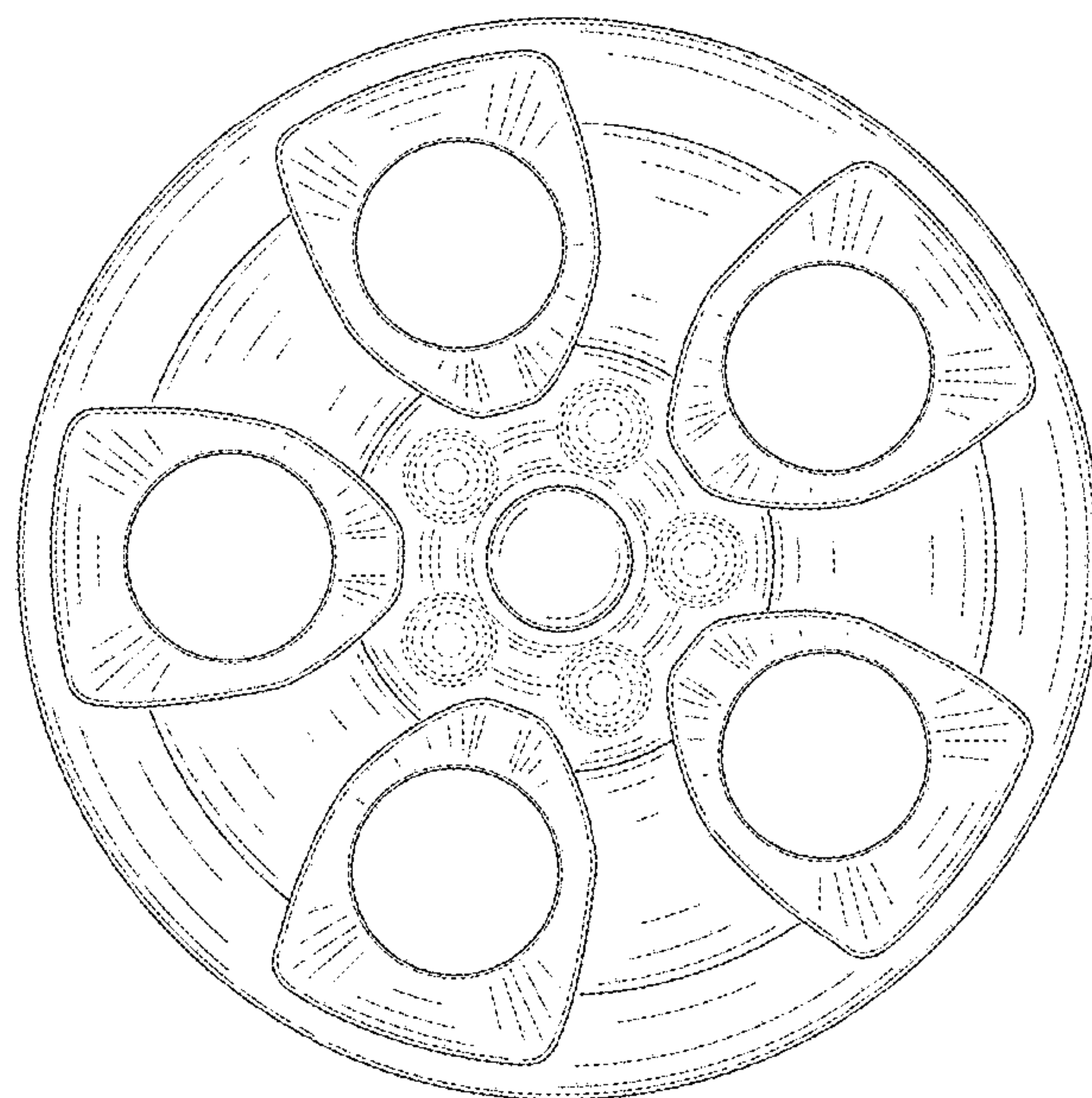
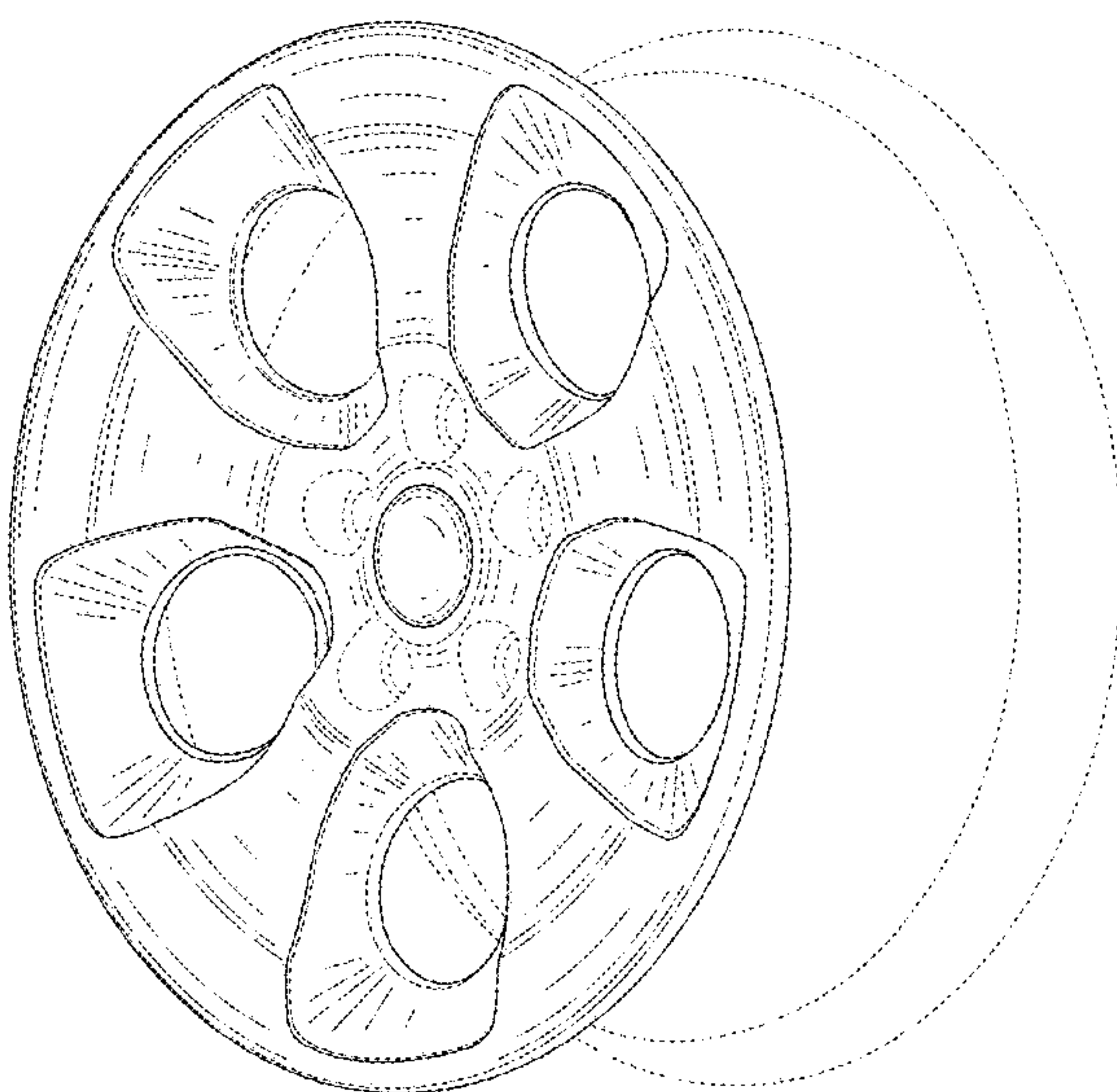
(57) **CLAIM**

The ornamental design for an automobile wheel, as shown and described.

DESCRIPTION

FIG. 1 is a left side perspective view of an automobile wheel showing our new design; FIG. 2 is a right side perspective view thereof; and, FIG. 3 is a front view.
In the drawings, the broken lines depict environmental subject matter only and form no part of the claimed design.

1 Claim, 3 Drawing Sheets



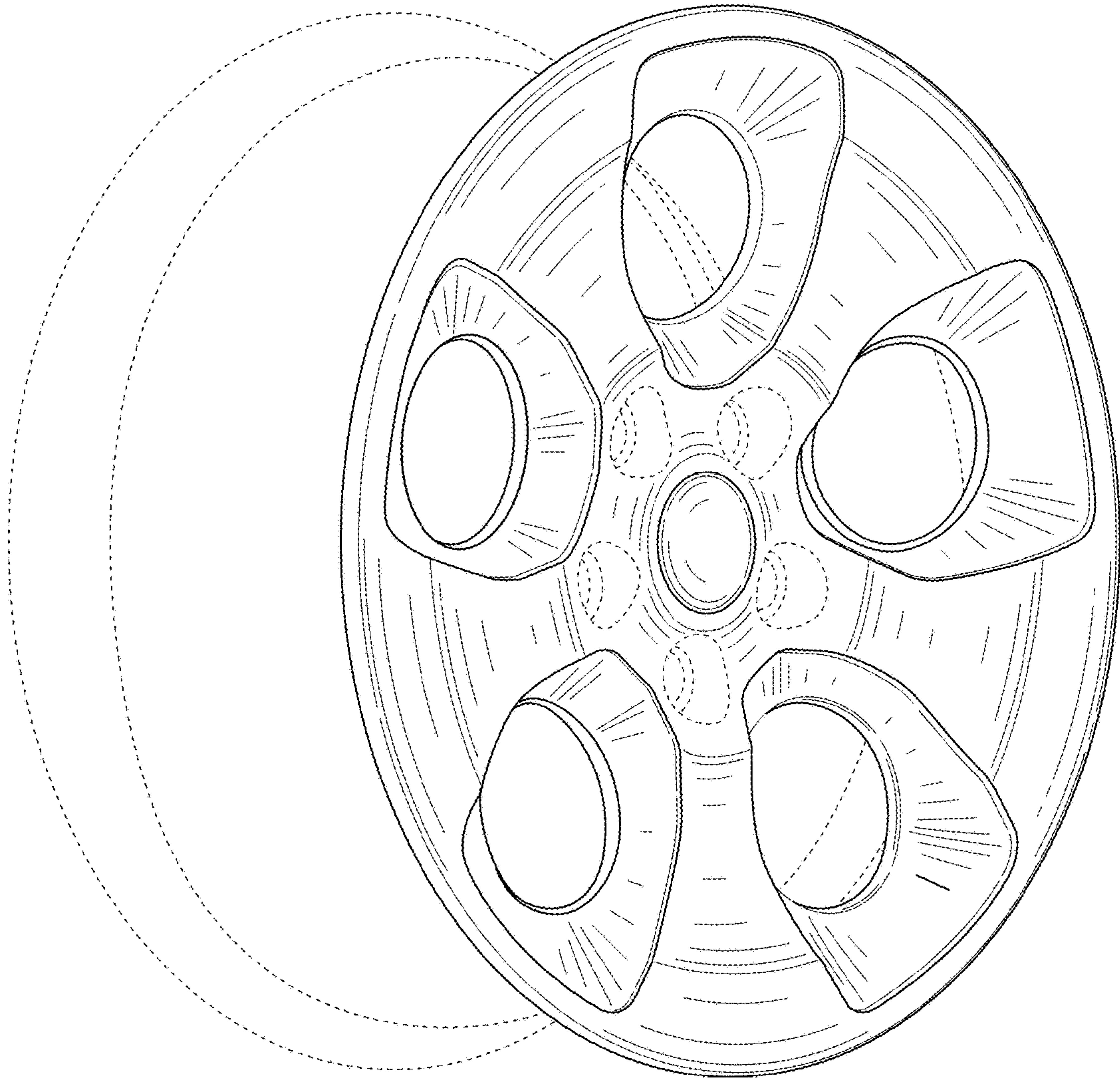


FIG. 1

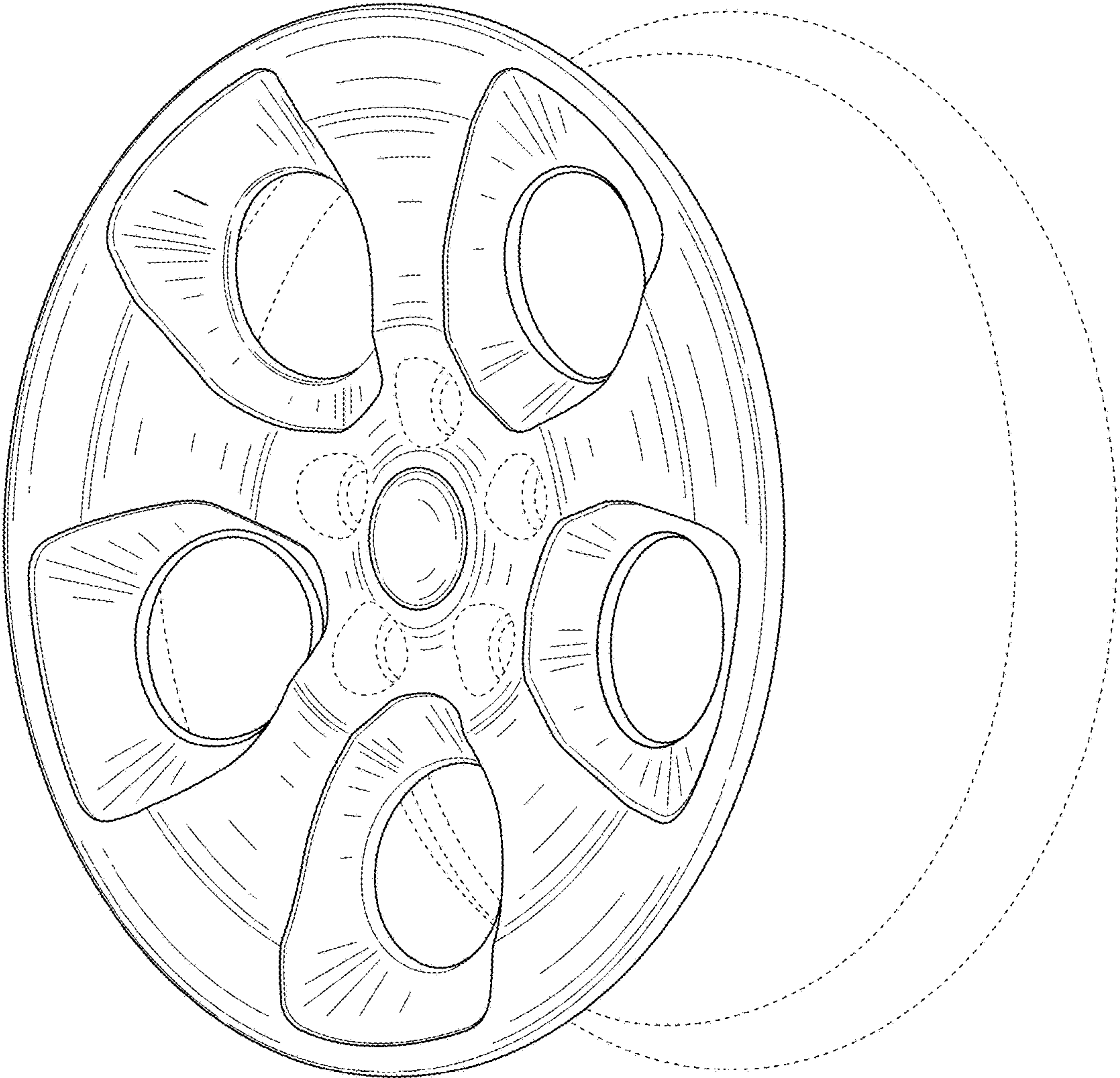


FIG. 2

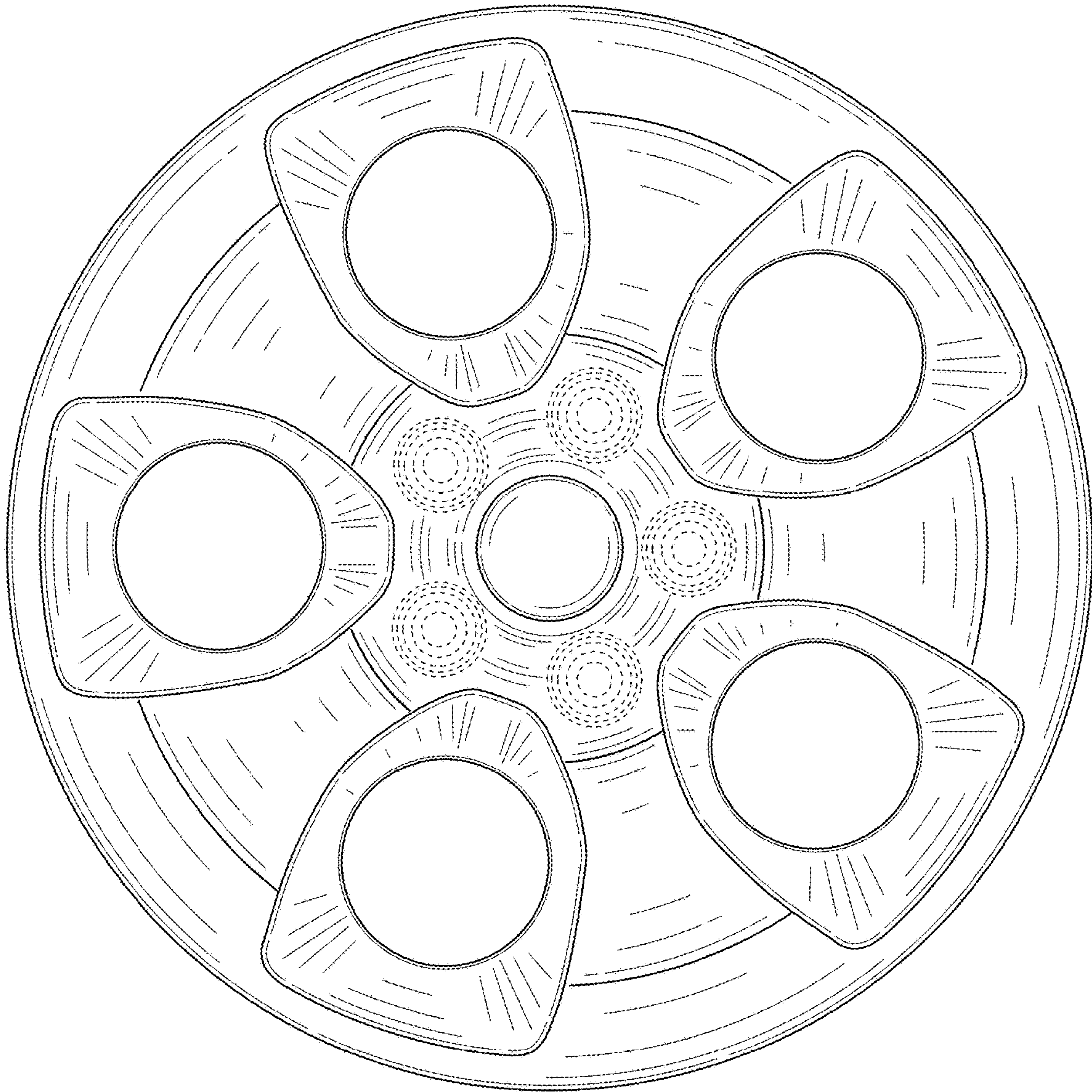


FIG. 3