



US00D780084S

(12) **United States Design Patent**  
**Scheer et al.**

(10) **Patent No.:** **US D780,084 S**

(45) **Date of Patent:** **\*\* Feb. 28, 2017**

(54) **VEHICLE WHEEL**

(71) Applicant: **GM GLOBAL TECHNOLOGY OPERATIONS LLC**, Detroit, MI (US)

(72) Inventors: **Richard F. Scheer**, Bloomfield Township, MI (US); **Morio Ikeda**, Sao Paulo (BR); **Eduardo H. Mine**, Sao Caetano Sul (BR); **Lamildson Rolin**, Sao Caetano Do Sul (BR); **Danilo C. Rodrigues**, Sao Paulo (BR)

(73) Assignee: **GM Global Technology Operations LLC**, Detroit, MI (US)

(\*\*) Term: **15 Years**

(21) Appl. No.: **29/536,447**

(22) Filed: **Aug. 17, 2015**

(51) **LOC (10) Cl.** ..... **12-16**

(52) **U.S. Cl.**  
USPC ..... **D12/209**

(58) **Field of Classification Search**  
USPC ..... D12/204–213  
CPC ..... B60B 7/00; B60B 7/02; B60B 7/04;  
B60B 7/01; B60B 7/06; B60B 3/02; B60B 3/04;  
B60B 3/06; B60B 3/10; B60B 1/00;  
B60B 1/08; B60B 1/10; B60B 1/12  
See application file for complete search history.

(56) **References Cited**

**U.S. PATENT DOCUMENTS**

D422,959 S \* 4/2000 Hussaini ..... D12/211  
D532,739 S \* 11/2006 Ettensberger ..... D12/211

D608,711 S \* 1/2010 Juergens ..... D12/209  
D638,770 S \* 5/2011 Chung ..... D12/211  
D660,762 S \* 5/2012 Gabath ..... D12/209  
D660,771 S \* 5/2012 Mueller-Stolz ..... D12/211  
D696,176 S \* 12/2013 Rojas ..... D12/209  
D713,314 S \* 9/2014 Platto ..... D12/209  
D724,513 S \* 3/2015 Wolff ..... D12/209  
D724,516 S \* 3/2015 Di Buduo ..... D12/211  
D730,798 S \* 6/2015 Diephuis ..... D12/209  
D732,449 S \* 6/2015 Grake ..... D12/209  
D755,105 S \* 5/2016 Garbas ..... D12/211

\* cited by examiner

*Primary Examiner* — Stacia Cadmus

(74) *Attorney, Agent, or Firm* — Reising Ethington P.C.

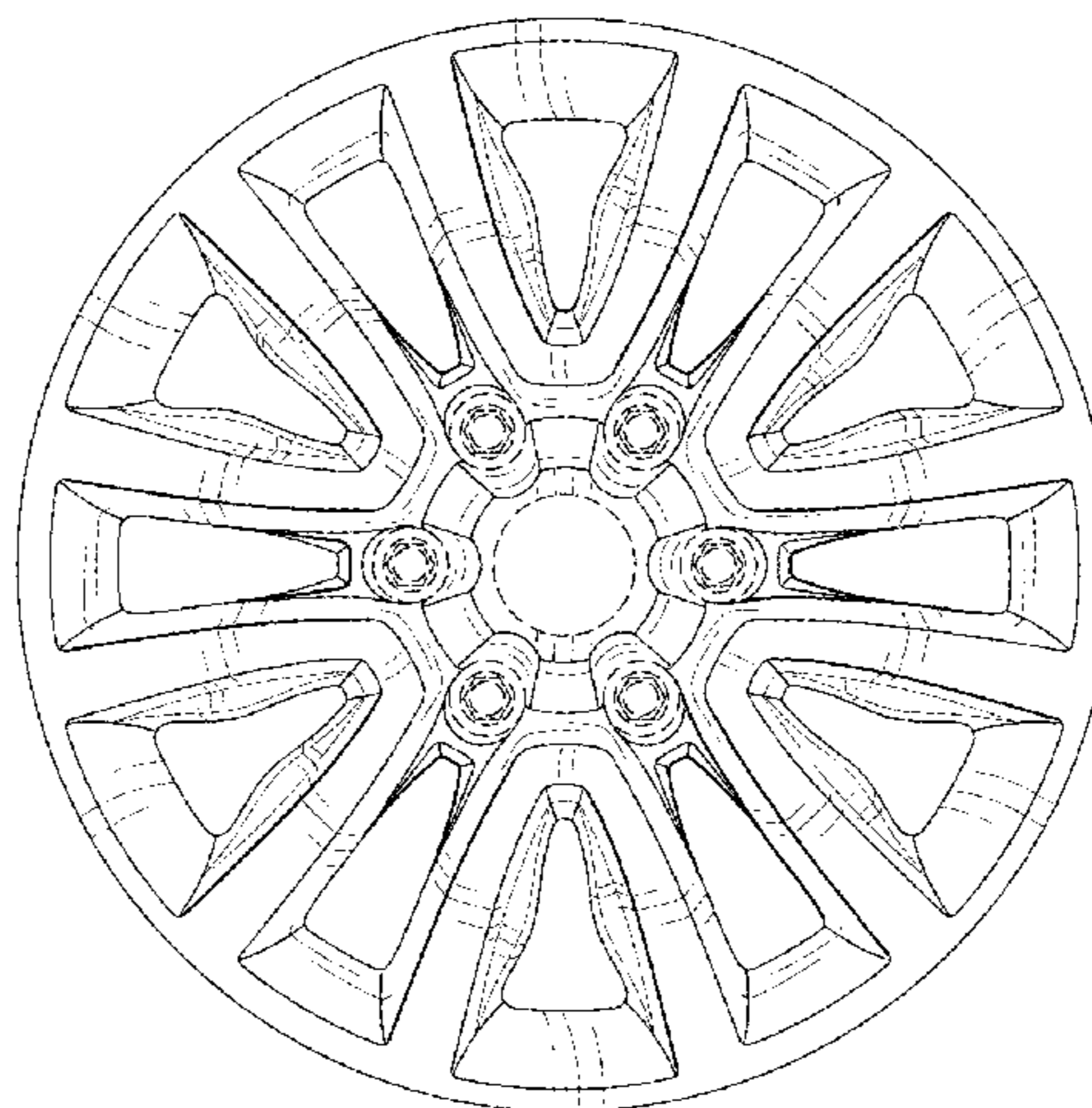
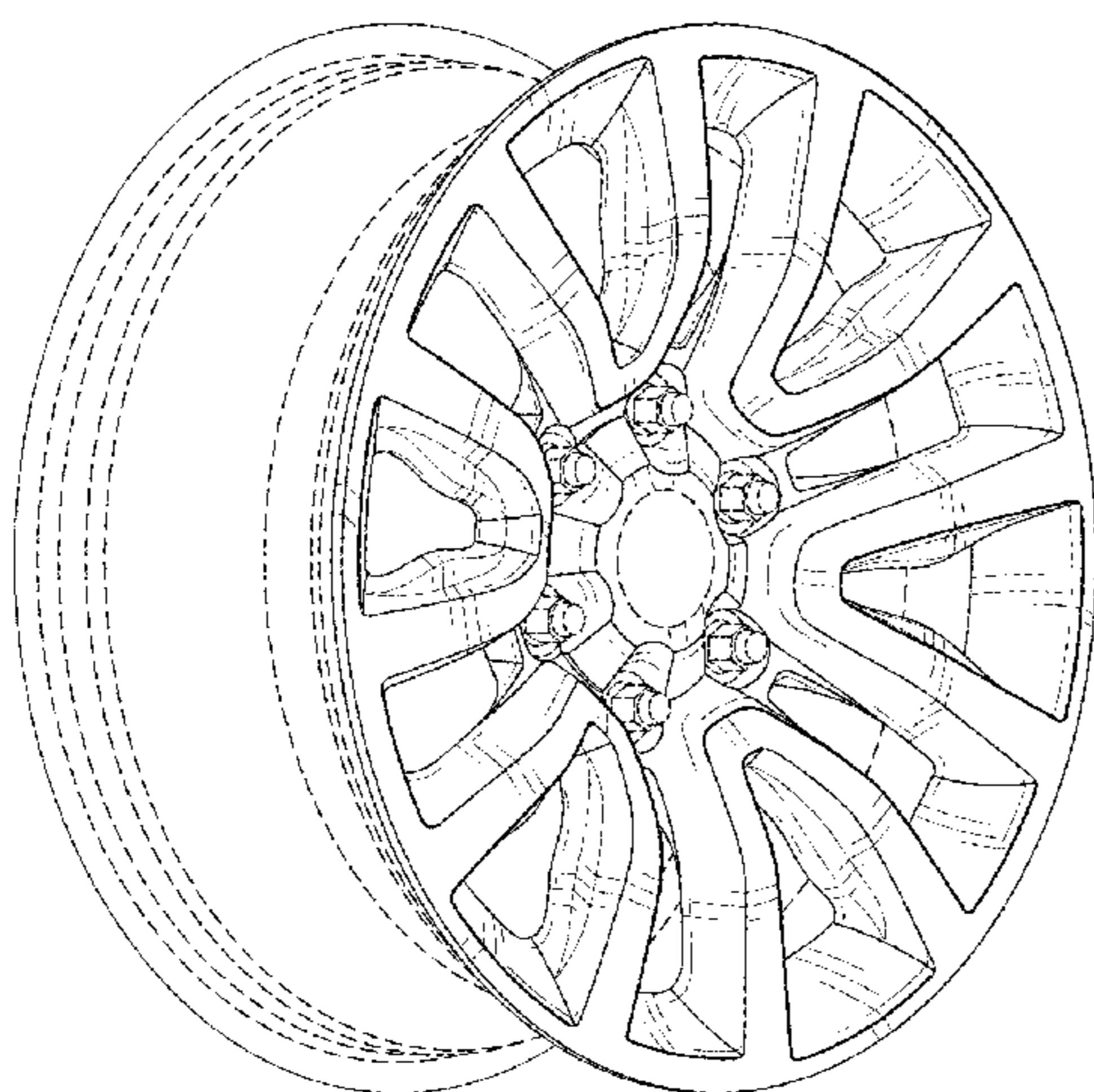
(57) **CLAIM**

The ornamental design for a vehicle wheel, as shown and described.

**DESCRIPTION**

FIG. 1 is a front perspective view of the vehicle wheel;  
FIG. 2 is a front view thereof;  
FIG. 3 is a side view thereof;  
FIG. 4 is another side view thereof;  
FIG. 5 is a rear view thereof; and,  
FIG. 6 is a rear perspective view thereof.  
In the drawings, the broken lines depict environmental subject matter only and form no part of the claimed design.

**1 Claim, 3 Drawing Sheets**



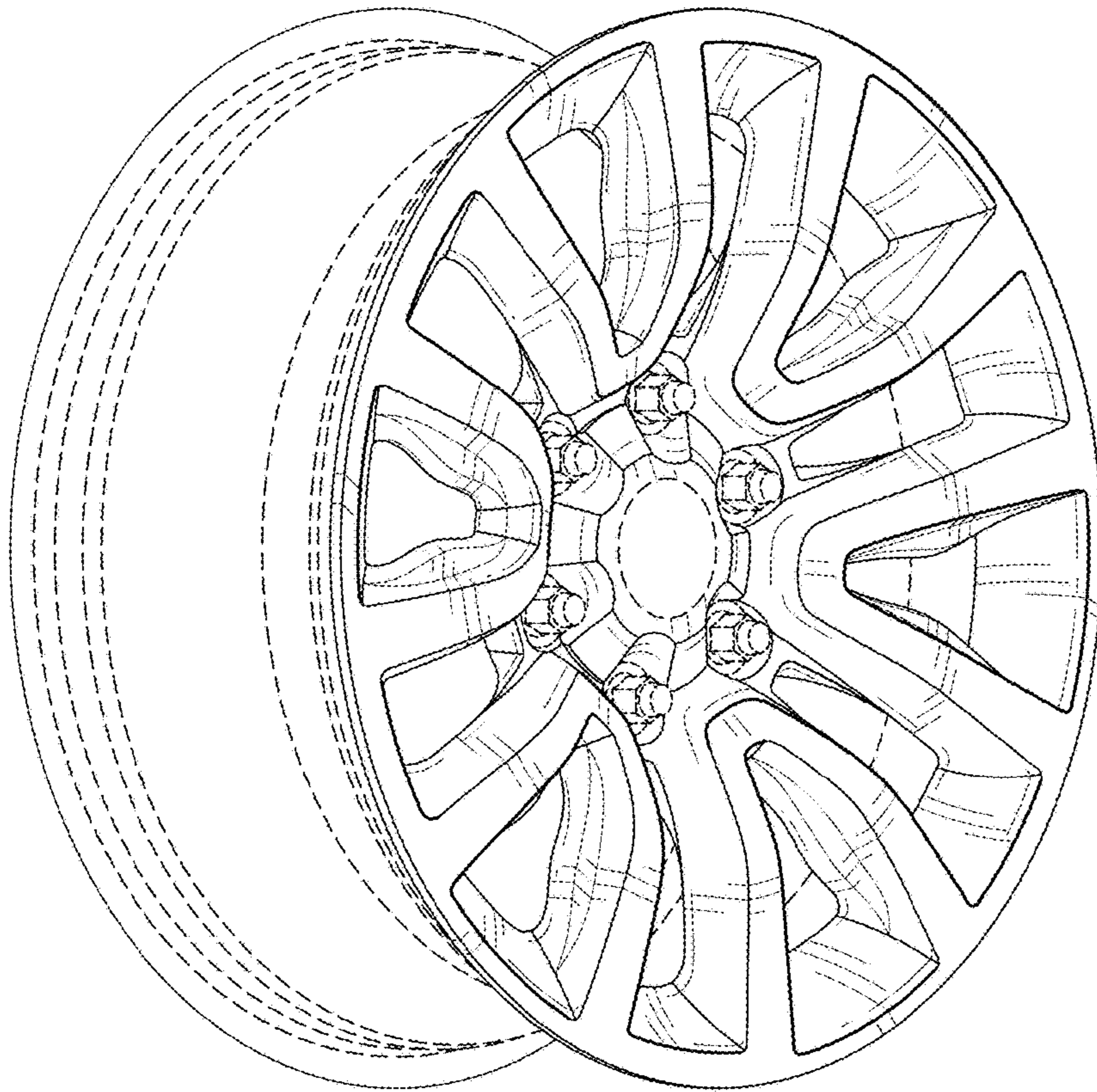


Fig. 1

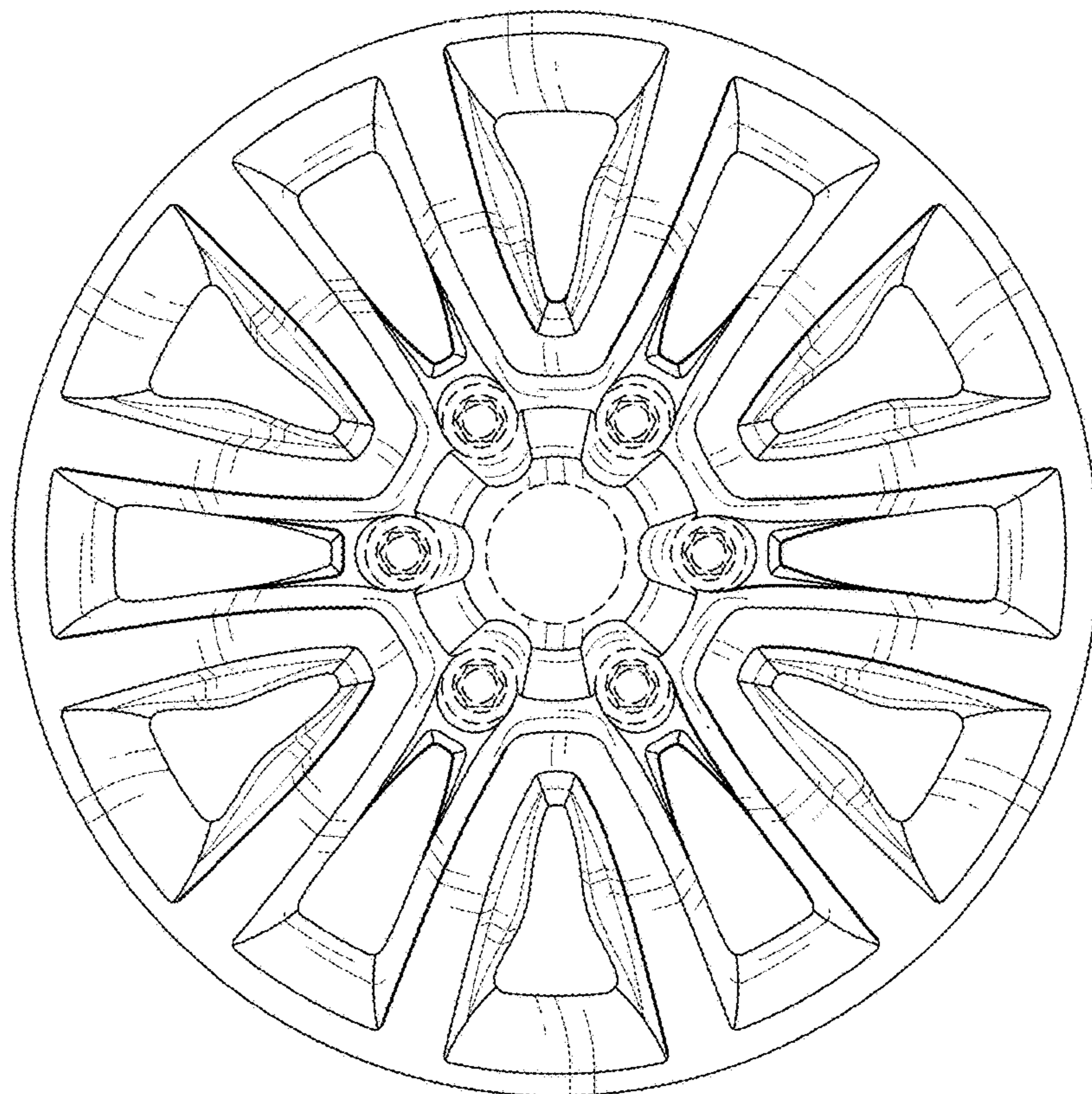


Fig. 2

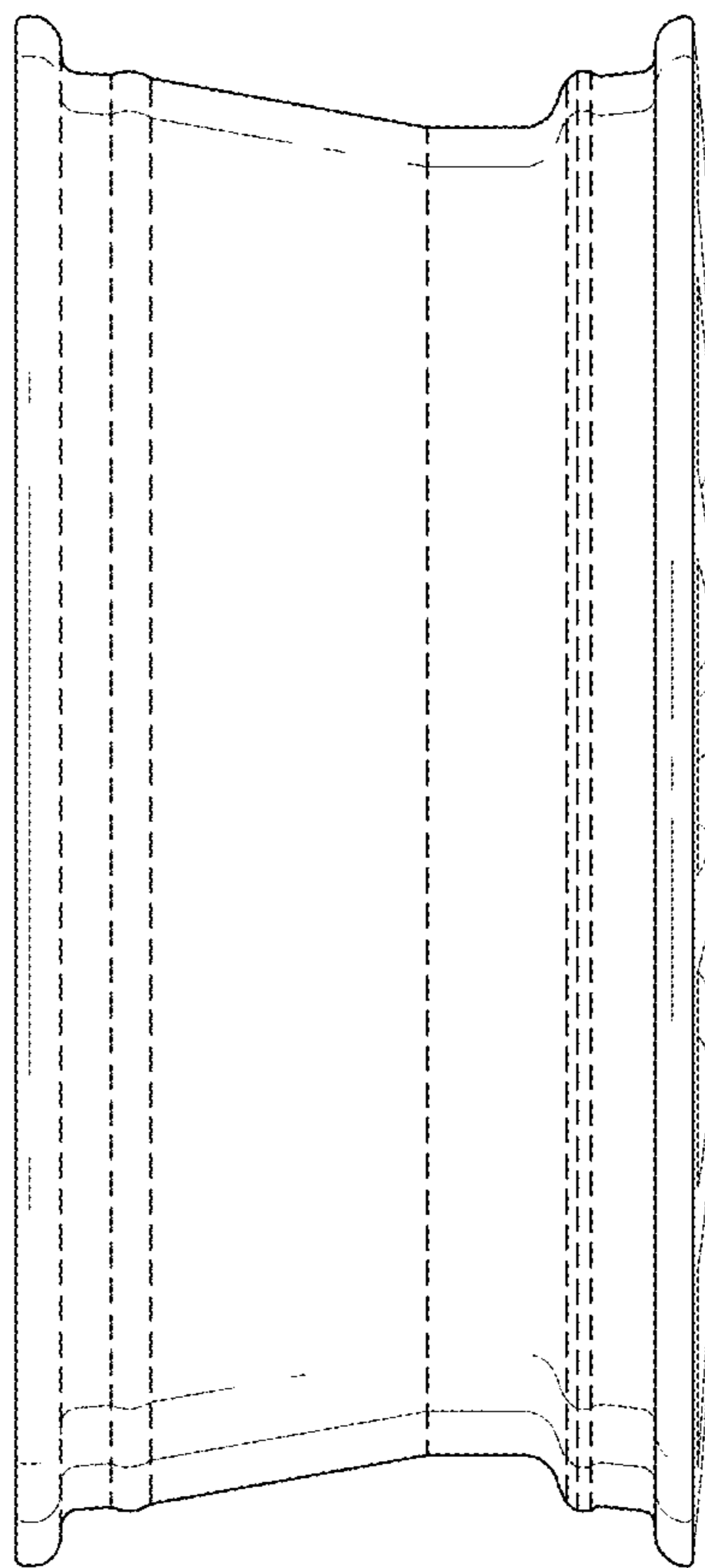


Fig. 3

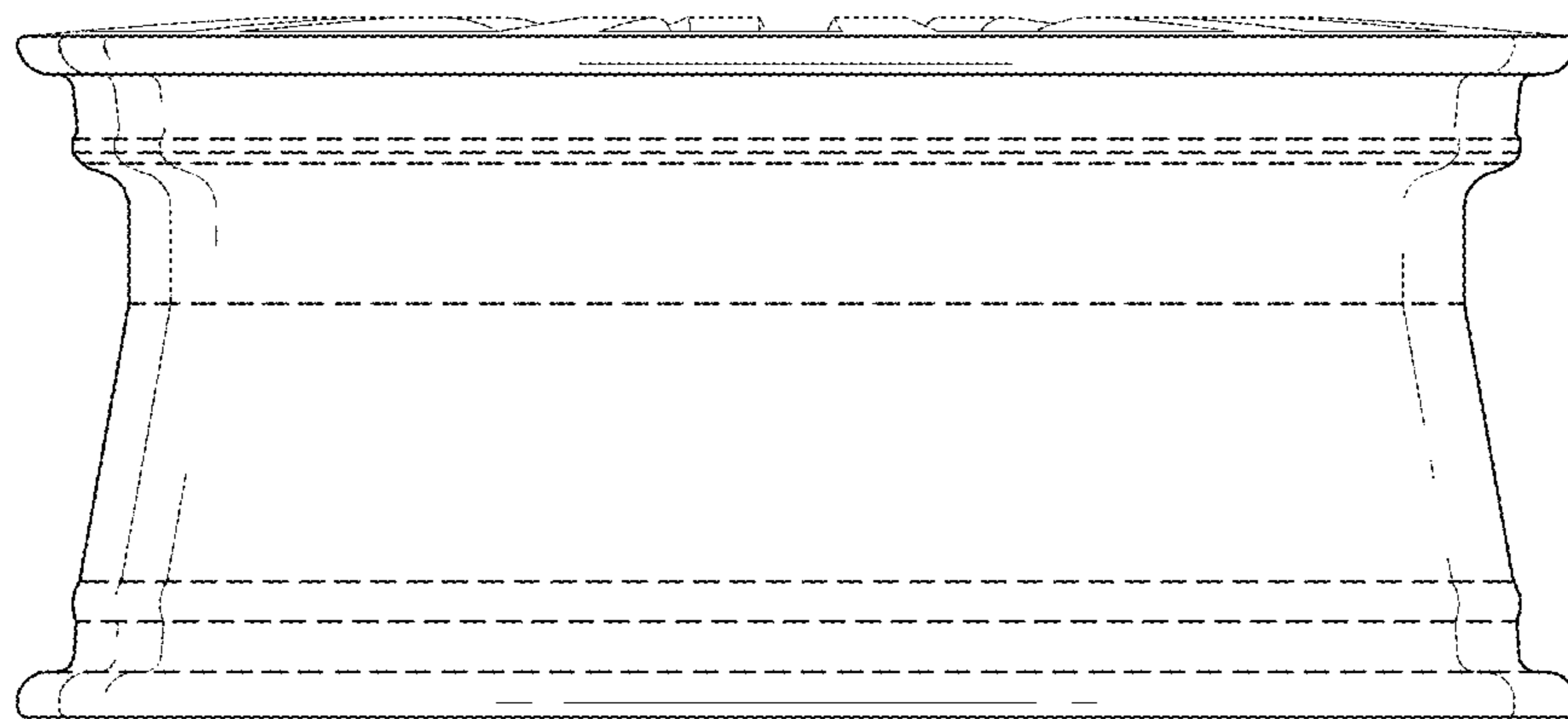


Fig. 4

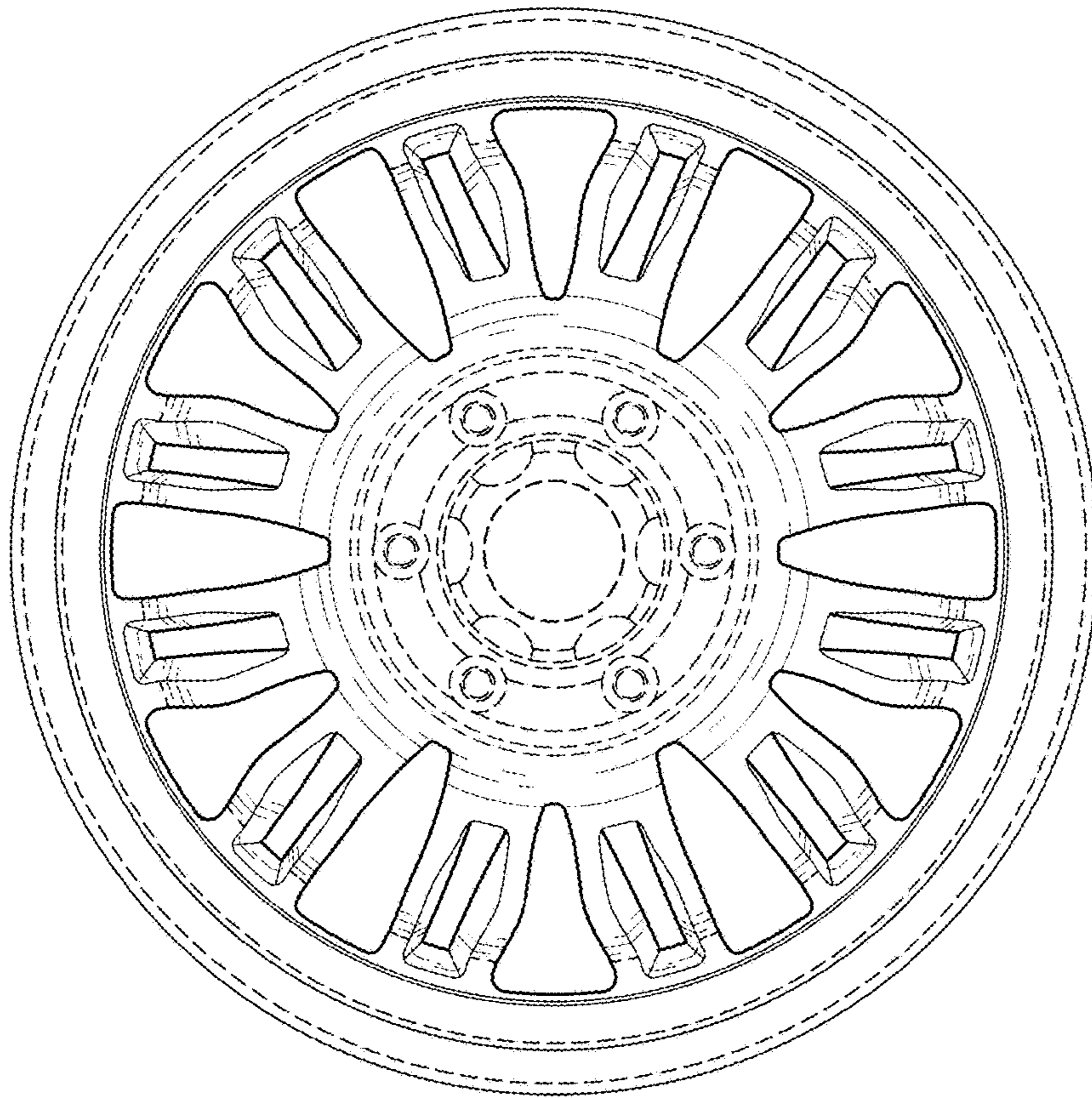


Fig. 5

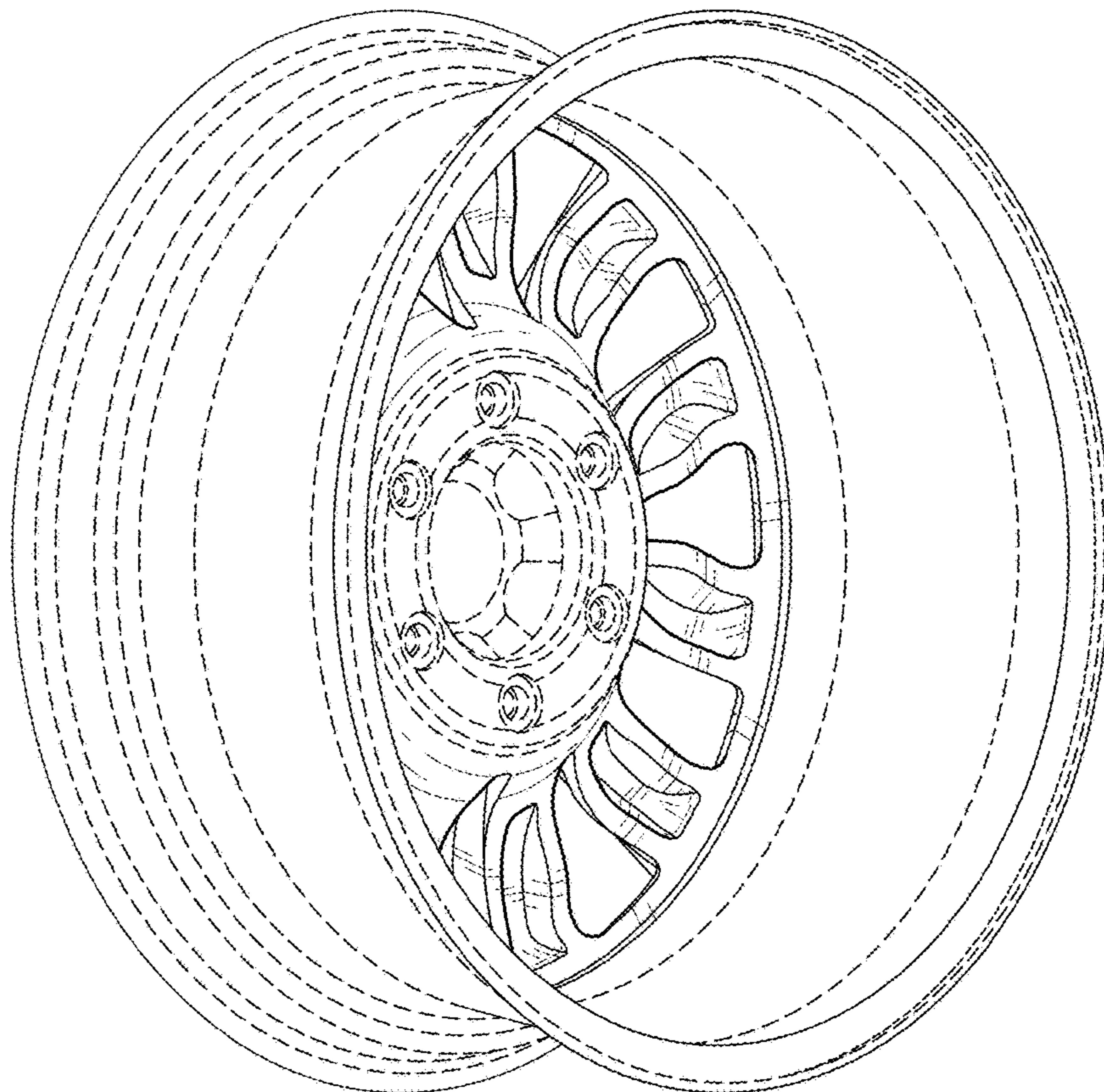


Fig. 6