



US00D780081S

(12) **United States Design Patent** (10) **Patent No.:** **US D780,081 S**
Lee (45) **Date of Patent:** **** Feb. 28, 2017**

(54) **VEHICLE FRONT FENDER**
(71) Applicant: **GM GLOBAL TECHNOLOGY OPERATIONS LLC**, Detroit, MI (US)
(72) Inventor: **Hwasup Lee**, Rochester Hills, MI (US)
(73) Assignee: **GM Global Technology Operations LLC**, Detroit, MI (US)
(**) Term: **15 Years**
(21) Appl. No.: **29/546,728**

D605,978 S 12/2009 Wolff et al.
D608,249 S 1/2010 Peters
D608,690 S 1/2010 Folden et al.
D608,691 S 1/2010 Zak, Jr. et al.
D609,608 S 2/2010 Boniface et al.
D611,387 S 3/2010 Thompson et al.
D611,879 S 3/2010 Kim et al.
D612,297 S 3/2010 Peters et al.
D613,219 S * 4/2010 Elliott D12/184
D613,645 S 4/2010 Song et al.
D615,013 S * 5/2010 Lamm D12/181
D615,458 S 5/2010 Thompson et al.
D618,595 S 6/2010 Ware et al.
D623,090 S 9/2010 Cox et al.

(Continued)

(22) Filed: **Nov. 25, 2015**
(51) **LOC (10) Cl.** **12-16**
(52) **U.S. Cl.**
USPC **D12/196**; D12/184
(58) **Field of Classification Search**
USPC D12/86, 90, 91, 92, 93, 400, 163, 164,
D12/167, 181, 184, 202, 196
CPC B62D 25/02; B62D 25/16; B62D 25/18;
B62D 25/161
See application file for complete search history.

OTHER PUBLICATIONS

GM Front Fender, Carid.com [online], product reviewed on Oct. 31, 2014, [retrieved on Sep. 14, 2016], Retrieved from the internet, <URL: <https://www.carid.com/replace/front-passenger-side-fender-mpn-gm1241365pp.html#reviewsF> >.*

Primary Examiner — Sheryl Lane
Assistant Examiner — A. Suzette Murphy
(74) *Attorney, Agent, or Firm* — Reising Ethington P.C.

(56) **References Cited**
U.S. PATENT DOCUMENTS

D240,914 S * 8/1976 Wilsgna D12/184
D491,856 S * 6/2004 Velazco D12/196
D533,816 S * 12/2006 Golden D12/169
D570,742 S 6/2008 Takagi et al.
D576,090 S * 9/2008 Zavatski D12/184
D592,105 S 5/2009 Dean et al.
D597,447 S 8/2009 Folden
D600,595 S 9/2009 Nakamura et al.
D601,925 S 10/2009 O'Donnell
D603,755 S 11/2009 Peters
D604,203 S 11/2009 O'Donnell
D605,082 S 12/2009 Munson
D605,083 S 12/2009 Manoogian, II et al.
D605,977 S 12/2009 Zipfel et al.

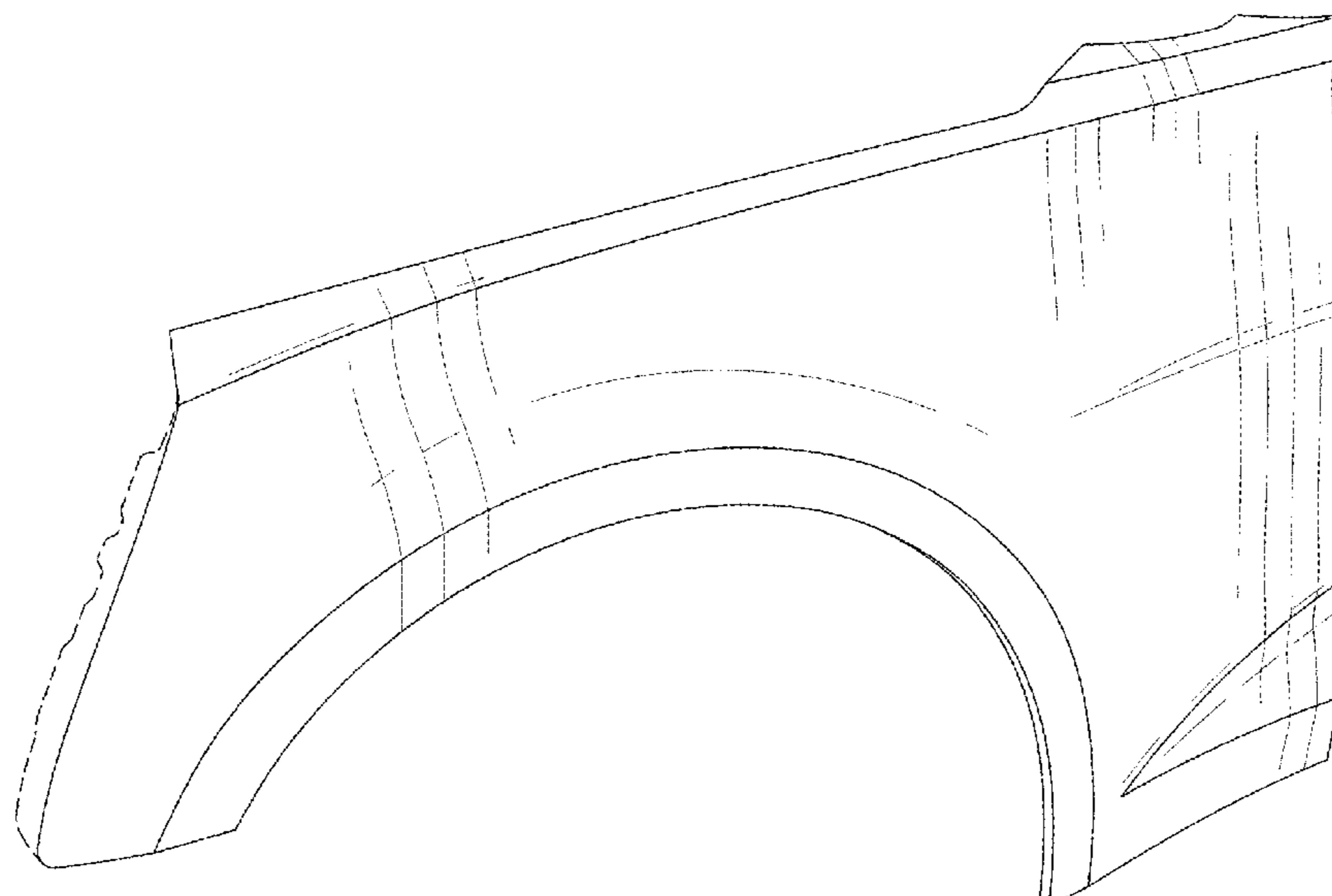
(57) **CLAIM**

The ornamental design for a vehicle front fender, as shown and described.

DESCRIPTION

FIG. 1 is a perspective view of the vehicle front fender; FIG. 2 is a top plan view thereof; FIG. 3 is a front view thereof; and, FIG. 4 is a side elevation view thereof. The broken lines shown in the drawings depict portions of the vehicle front fender that form no part of the claimed design.

1 Claim, 2 Drawing Sheets



(56)

References Cited

U.S. PATENT DOCUMENTS

D627,262 S	11/2010	Ikeda et al.		D716,706 S	11/2014	Thole et al.	
D635,488 S	4/2011	Phipps		D716,709 S	11/2014	Thole et al.	
D642,494 S *	8/2011	Loeb	D12/91	D717,696 S	11/2014	Thole et al.	
D644,147 S	8/2011	Suh et al.		D718,189 S	11/2014	Krieg et al.	
D644,567 S	9/2011	Kozub		D718,683 S	12/2014	Thole et al.	
D657,718 S	4/2012	Zipfel et al.		D722,282 S	2/2015	Loeb	
D659,052 S	5/2012	Ware et al.		D722,533 S	2/2015	Thole et al.	
D659,053 S	5/2012	Ware et al.		D722,534 S	2/2015	Munson et al.	
D659,593 S *	5/2012	Robinson	D12/92	D724,510 S	3/2015	McMahan et al.	
D668,182 S	10/2012	Barba Franco et al.		D725,001 S	3/2015	McMahan et al.	
D668,183 S	10/2012	Smart		D726,591 S	4/2015	Jacob	
D669,405 S *	10/2012	Gifford	D12/184	D730,776 S	6/2015	Smart	
D678,820 S	3/2013	Song et al.		D730,783 S	6/2015	Henriques et al.	
D678,821 S	3/2013	Ikeda et al.		D732,427 S	6/2015	Loeb	
D680,045 S *	4/2013	Hamilton	D12/184	D732,429 S	6/2015	Loeb	
D680,909 S	4/2013	Munson et al.		D732,430 S	6/2015	Loeb	
D680,910 S	4/2013	David		D732,431 S	6/2015	Loeb	
D684,899 S	6/2013	Baker		D732,432 S	6/2015	Aengenheyster	
D686,125 S *	7/2013	McCabe	D12/184	D732,433 S	6/2015	Aengenheyster	
D686,536 S	7/2013	McCabe et al.		D732,435 S	6/2015	Mackay	
D691,530 S *	10/2013	Song	D12/184	D733,002 S	6/2015	Loeb	
D691,540 S *	10/2013	Kwon	D12/196	D733,014 S *	6/2015	Gorsten	
D691,935 S *	10/2013	Kwon	D12/196			Schuenemann	D12/164
D692,798 S	11/2013	Thurber		D735,611 S	8/2015	Aengenheyster	
D692,799 S	11/2013	Smith et al.		D735,627 S	8/2015	Smith	
D695,172 S *	12/2013	Kavaja	D12/184	D736,451 S	8/2015	Smith	
D696,157 S	12/2013	Loeb		D739,306 S	9/2015	McMahan et al.	
D699,629 S	2/2014	Ikeda et al.		D739,317 S	9/2015	McMahan et al.	
D700,871 S	3/2014	O'Donnell et al.		D741,223 S	10/2015	Kim et al.	
D701,798 S *	4/2014	Futschik	D12/164	D743,309 S	11/2015	Thole et al.	
D702,597 S *	4/2014	Wada	D12/92	D743,313 S	11/2015	Smith et al.	
D702,598 S *	4/2014	Wada	D12/92	D743,314 S	11/2015	Thole et al.	
D703,103 S	4/2014	Lee		D743,857 S	11/2015	McMahan et al.	
D703,585 S *	4/2014	Scheinhutte	D12/92	D744,158 S	11/2015	Willett et al.	
D703,590 S *	4/2014	Futschik	D12/164	D744,377 S *	12/2015	Minami	D12/91
D704,100 S *	5/2014	Scheinhutte	D12/92	D749,026 S *	2/2016	Smith	D12/184
D704,103 S	5/2014	Mack et al.		D749,027 S *	2/2016	McMahan	D12/184
D704,602 S *	5/2014	Frenzel	D12/164	D750,001 S *	2/2016	Thole	D12/184
D704,607 S *	5/2014	Thurber	D12/184	D755,096 S *	5/2016	Wolff	D12/184
D705,132 S	5/2014	Ware et al.		D756,273 S *	5/2016	Platto	D12/163
D705,699 S	5/2014	Ware et al.		D756,278 S *	5/2016	Ino	D12/184
D707,600 S *	6/2014	Johnson	D12/184	D756,869 S *	5/2016	McMahan	D12/184
D708,559 S *	7/2014	Kim	D12/184	D762,151 S *	7/2016	Luk	D12/184
D711,798 S *	8/2014	O'Donnell	D12/184	D762,538 S *	8/2016	Platto	D12/184
D713,298 S	9/2014	Dyson		D764,362 S *	8/2016	Pevovar	D12/184
D713,764 S	9/2014	Ferlazzo et al.		D766,149 S *	9/2016	Kim	D12/184
D716,696 S	11/2014	Thole et al.		2015/0344079 A1 *	12/2015	Stojkovic	B62D 27/023 296/187.09

* cited by examiner

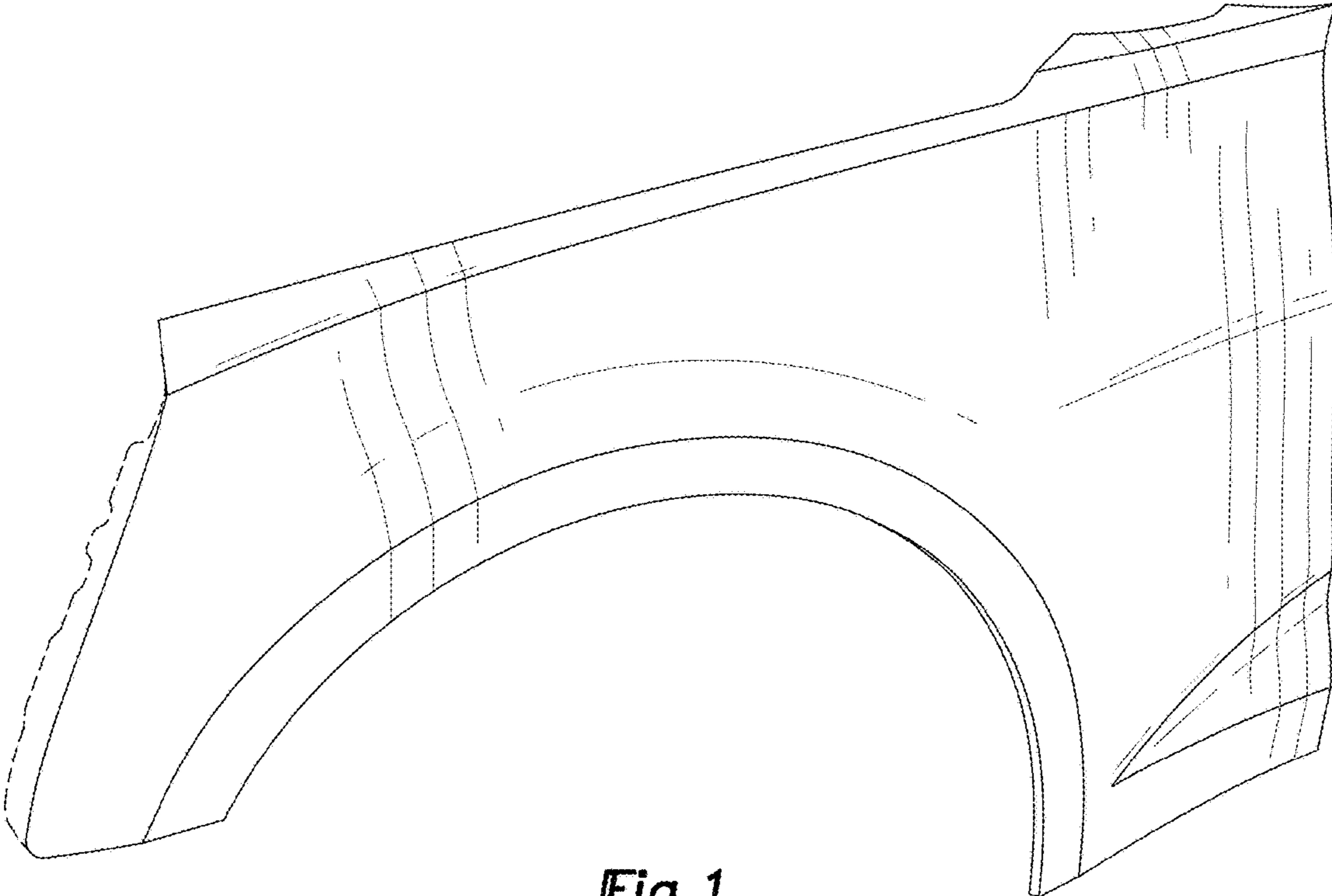


Fig. 1

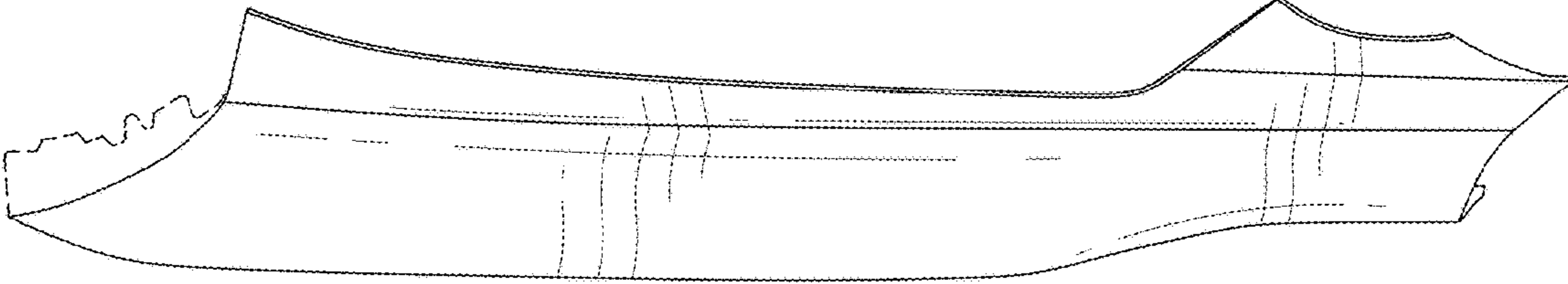


Fig. 2

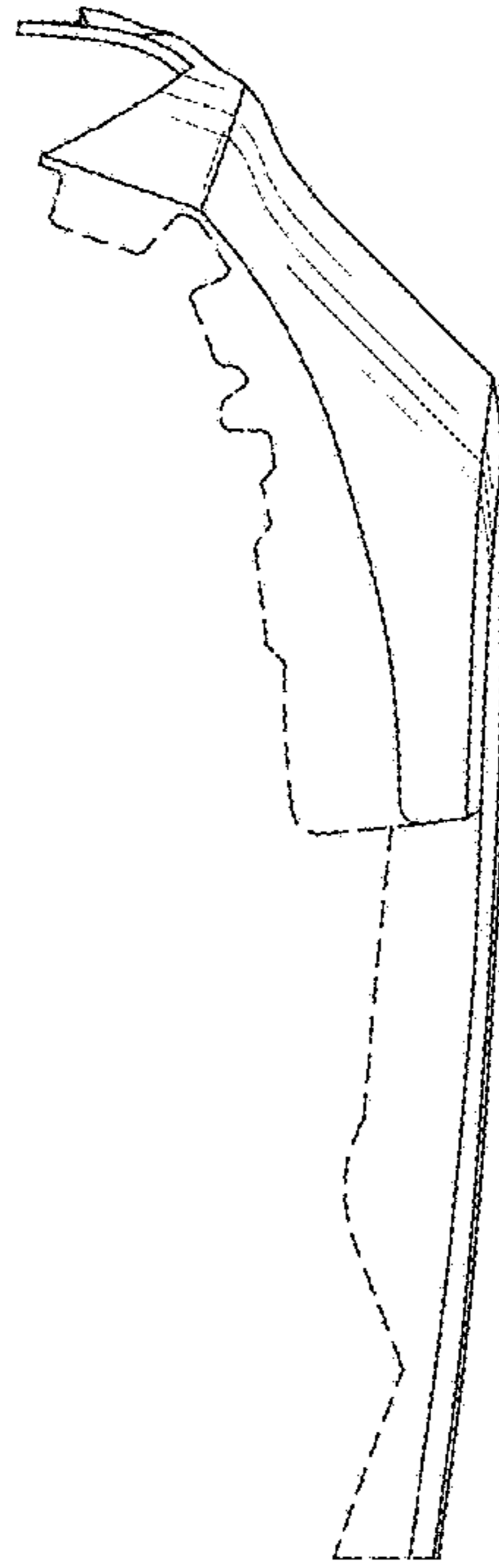


Fig. 3

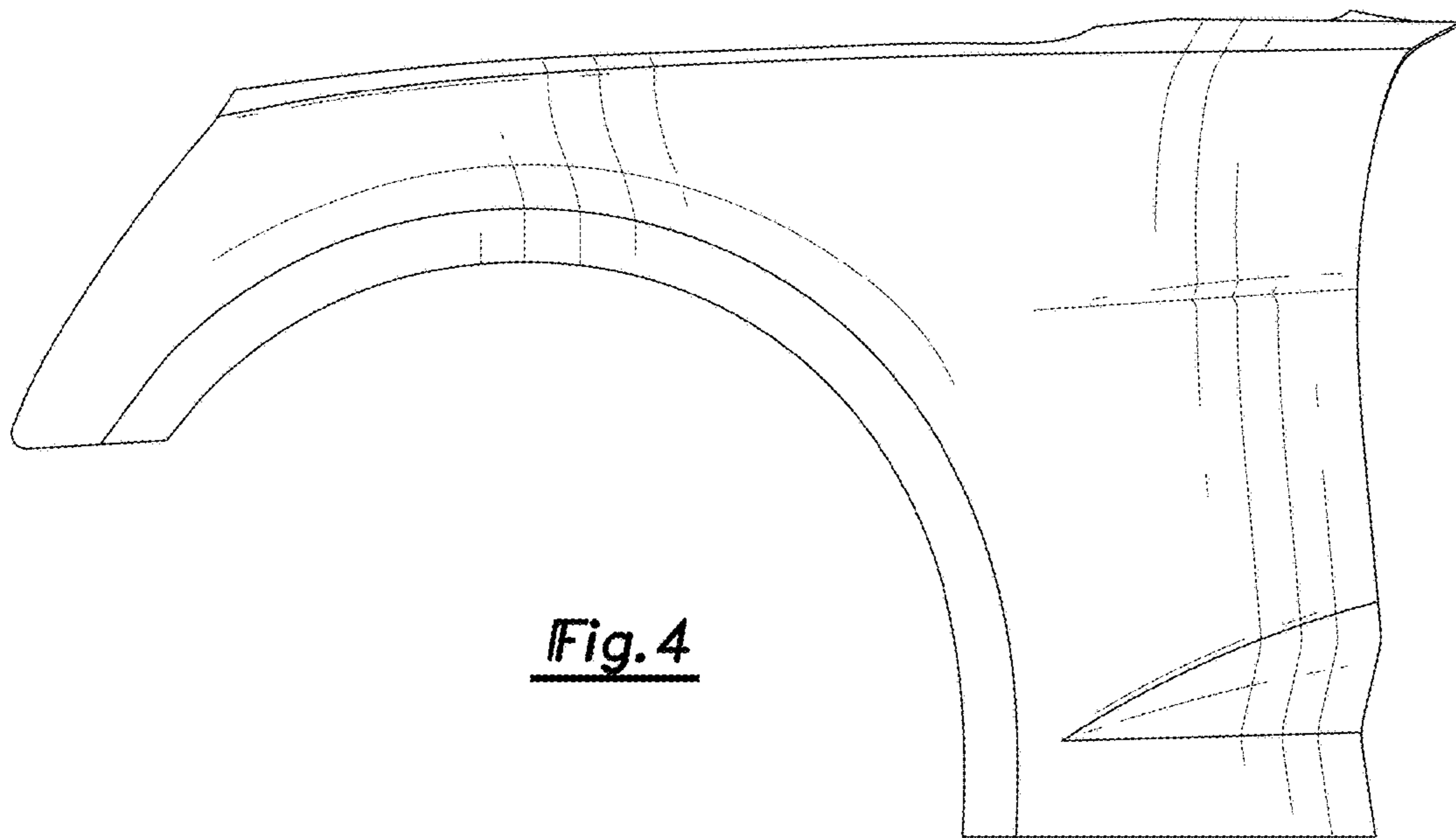


Fig. 4