



US00D780080S

(12) **United States Design Patent**
Ding

(10) **Patent No.:** **US D780,080 S**

(45) **Date of Patent:** **** Feb. 28, 2017**

(54) **INSTRUMENT PANEL**

(71) Applicant: **Thunder Power Hong Kong Ltd.,**
Central (HK)

(72) Inventor: **Jia-Wei Ding,** Taipei (TW)

(73) Assignee: **THUNDER POWER HONG KONG LTD.,** Central (HK)

(**) Term: **15 Years**

(21) Appl. No.: **29/548,499**

(22) Filed: **Dec. 14, 2015**

(51) **LOC (10) Cl.** **12-16**

(52) **U.S. Cl.**
USPC **D12/192**

(58) **Field of Classification Search**
USPC D12/192, 415, 110, 114; D15/17, 28;
D10/46.98, 102-103, 122-127
CPC ... G08G 1/096883; G01C 21/30; G01C 21/16;
G01C 21/3688
See application file for complete search history.

(56) **References Cited**

U.S. PATENT DOCUMENTS

D705,711 S * 5/2014 Yamamoto D12/192
D726,612 S * 4/2015 Wiedeman D12/192

D727,231 S * 4/2015 Narita D12/192
D730,793 S * 6/2015 Ishikawa D12/192
D731,940 S * 6/2015 Okabe D12/192
D733,021 S * 6/2015 Takagi D12/192
D737,186 S * 8/2015 Nakao D12/192
D762,152 S * 7/2016 Inagaki D12/192
D763,154 S * 8/2016 Chang D12/192
D763,155 S * 8/2016 Sahs D12/192

* cited by examiner

Primary Examiner — Katrina A Betton

(74) *Attorney, Agent, or Firm* — Kilpatrick Townsend & Stockton LLP

(57) **CLAIM**

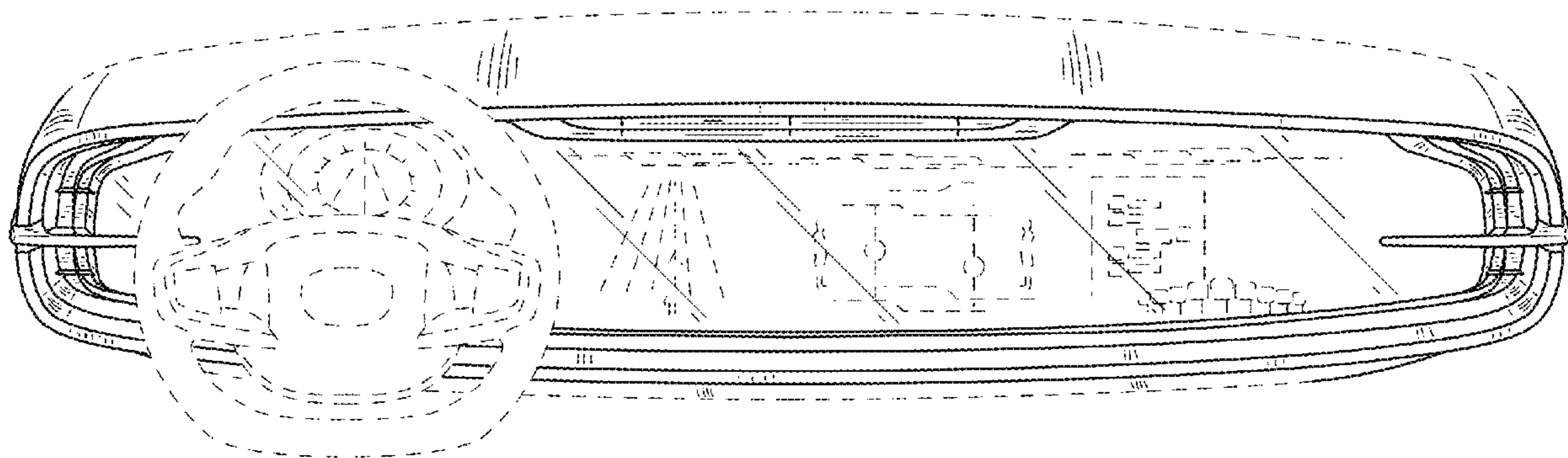
I claim the ornamental design for an instrument panel, as shown and described.

DESCRIPTION

FIG. 1 is a perspective view of an instrument panel;
FIG. 2 is a front view thereof;
FIG. 3 is a right side view thereof;
FIG. 4 is a left side view thereof;
FIG. 5 is a top view thereof; and,
FIG. 6 is a bottom view thereof.

The broken lines in the figures are for illustrative purposes only, and form no part of the claimed design.

1 Claim, 5 Drawing Sheets



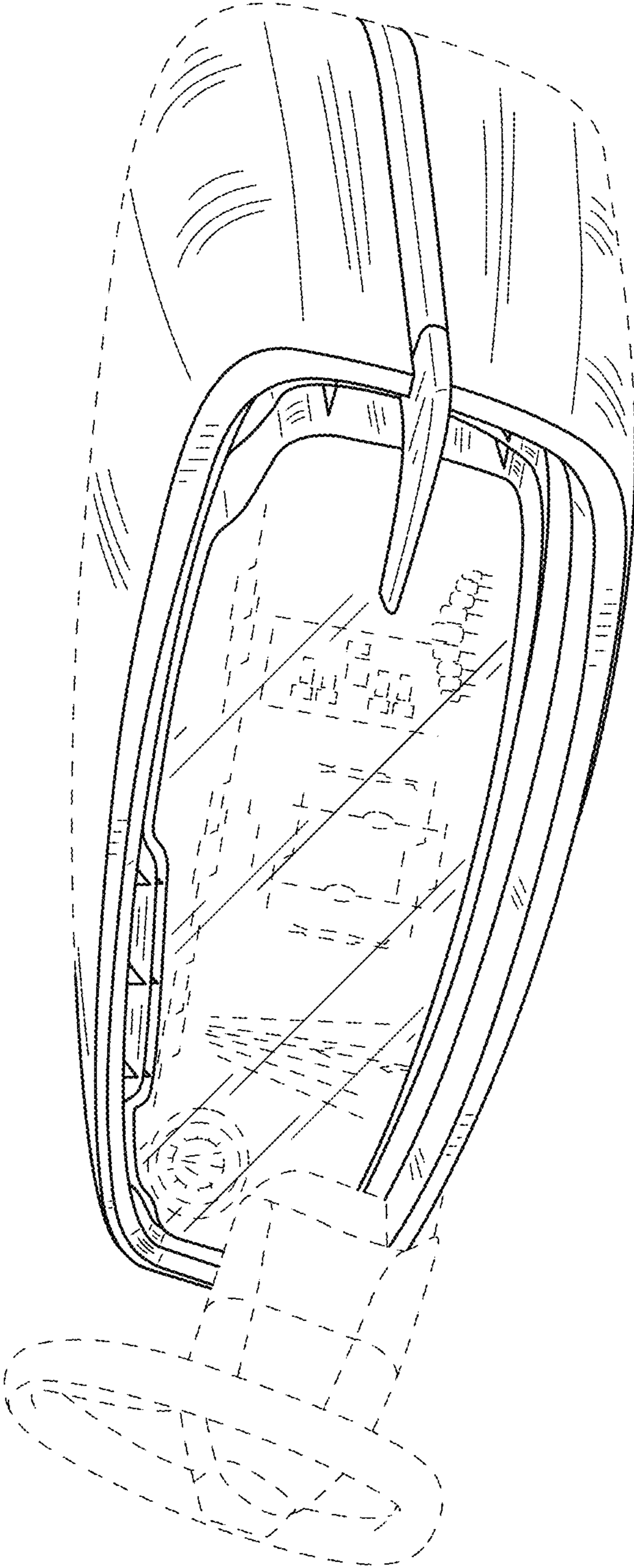


FIG.1

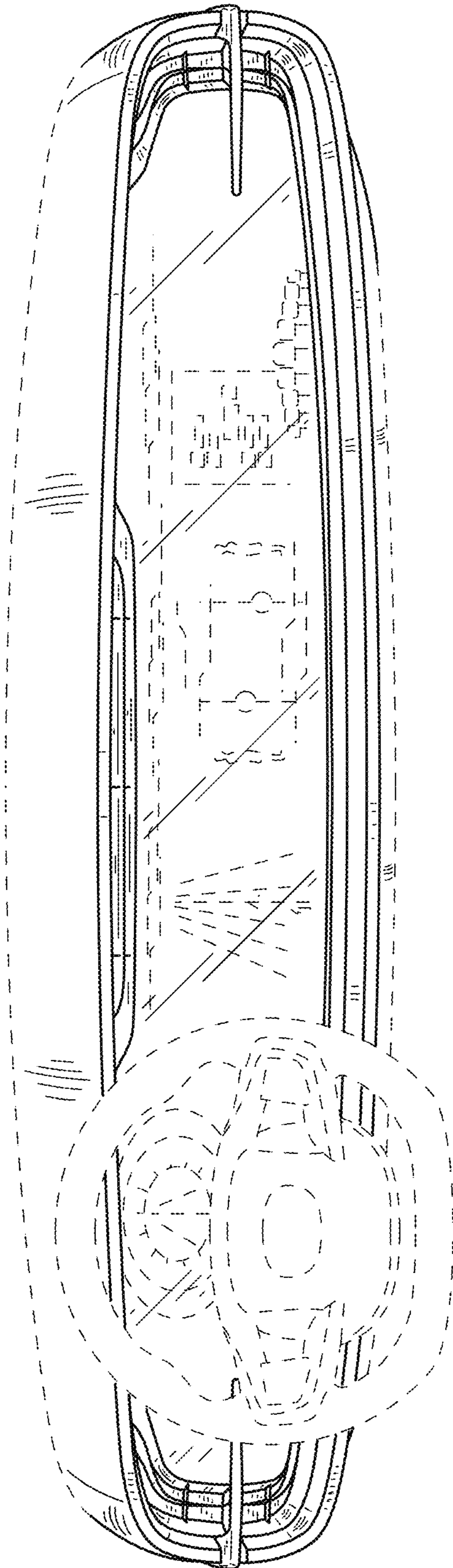


FIG.2

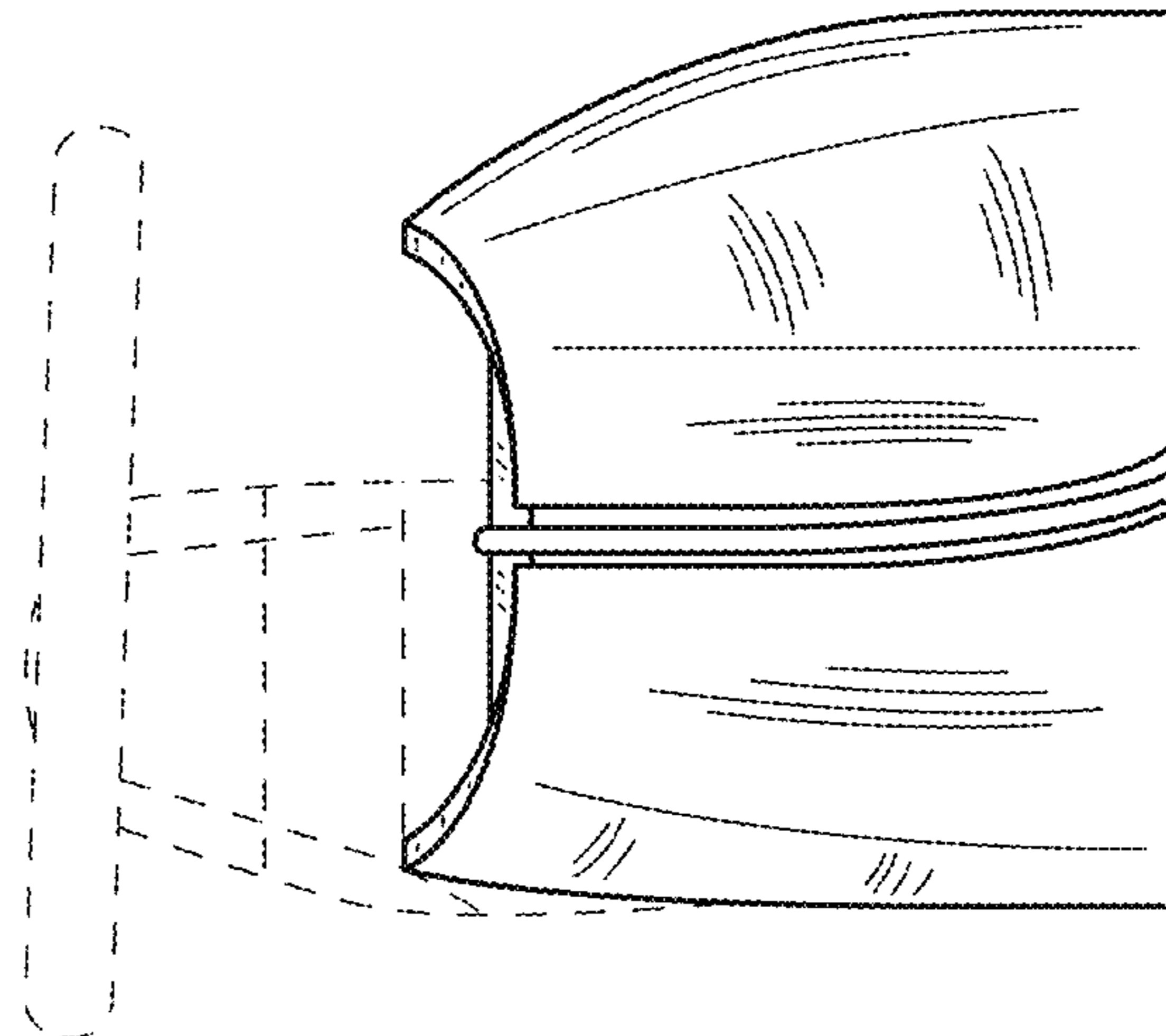


FIG.3

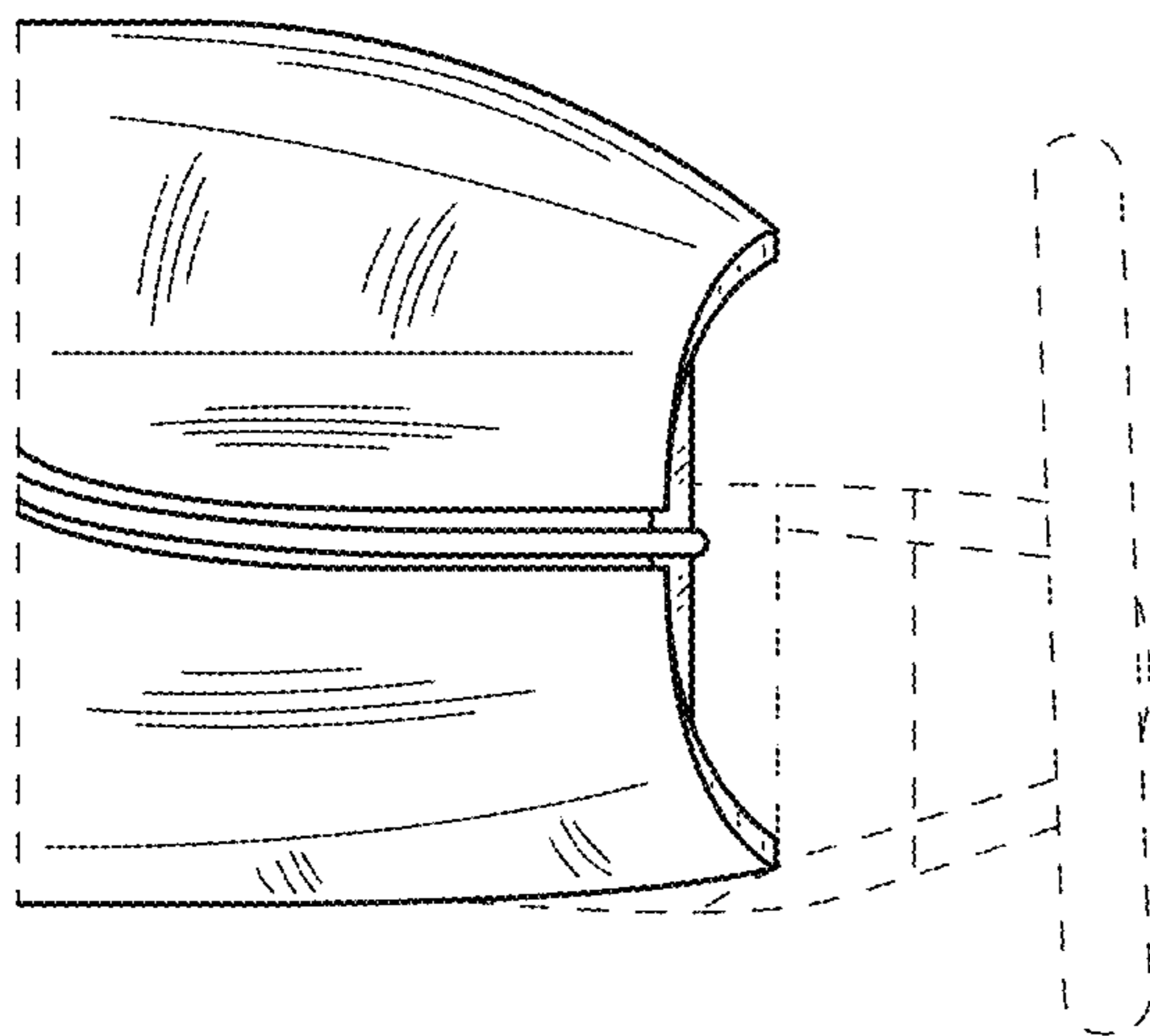


FIG.4

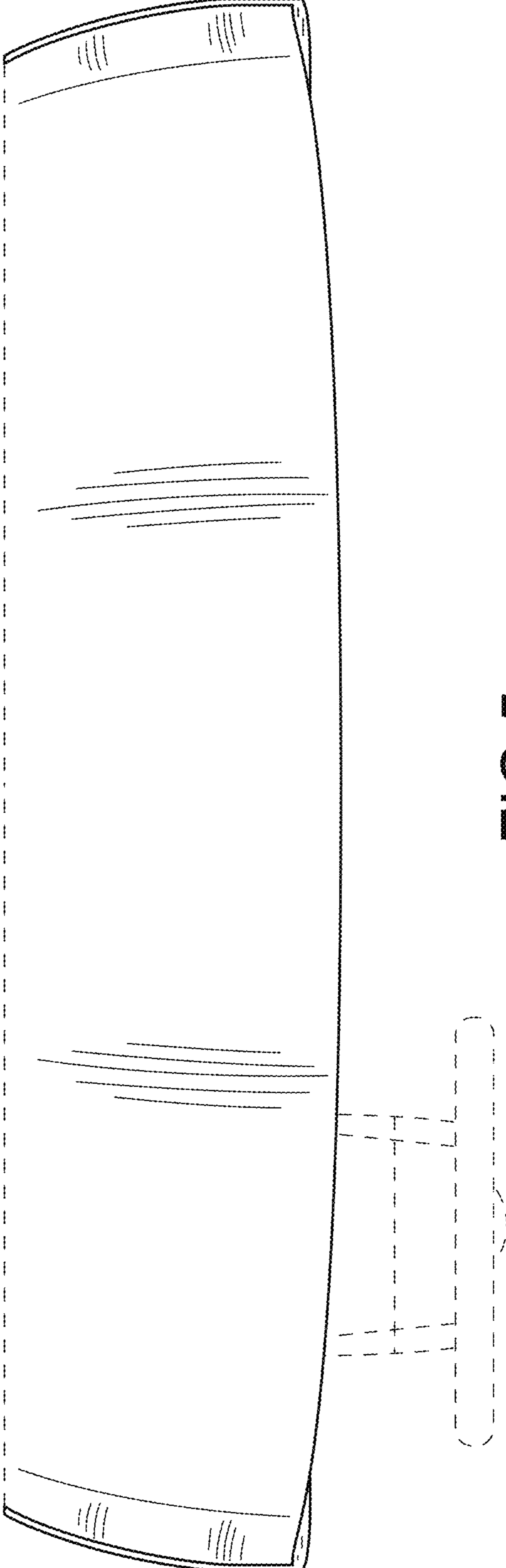


FIG. 5

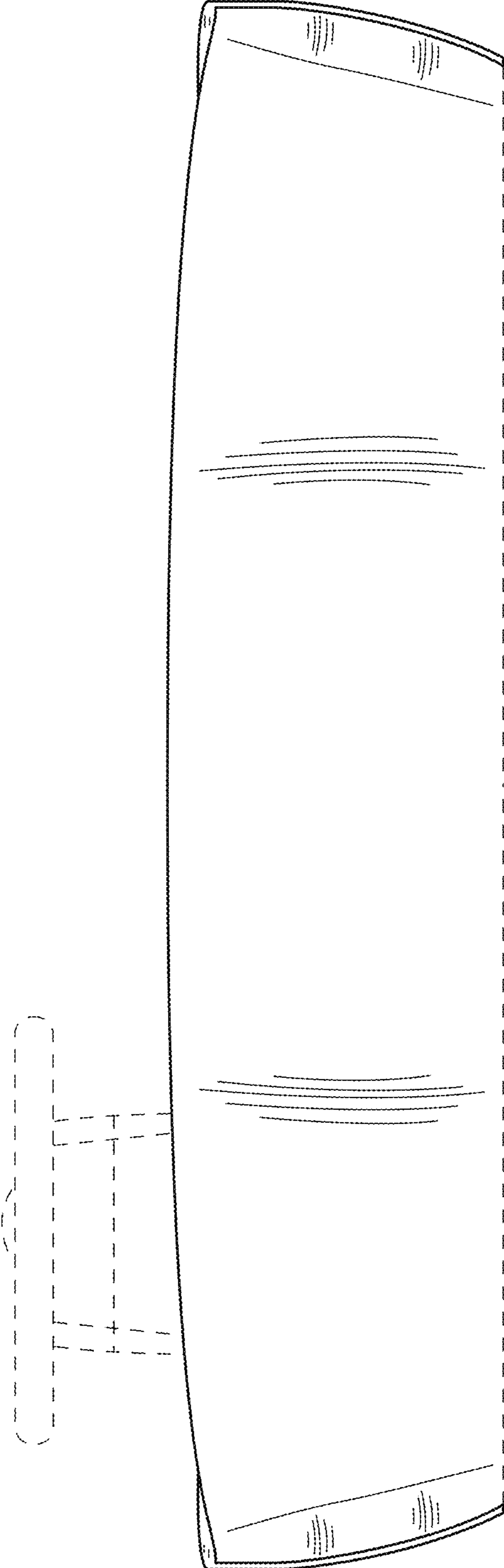


FIG.6