



US00D780075S

(12) **United States Design Patent** (10) **Patent No.:** **US D780,075 S**
Clement et al. (45) **Date of Patent:** **** Feb. 28, 2017**

(54) **SUPPORT APPARATUS**

(71) Applicant: **Community Products, LLC**, Rifton, NY (US)

(72) Inventors: **Gideon Clement**, Rifton, NY (US); **Seth Swinger**, Rifton, NY (US); **Glen Kleinsasser**, Rifton, NY (US)

(73) Assignee: **COMMUNITY PRODUCTS, LLC**, Rifton, NY (US)

(**) Term: **15 Years**

(21) Appl. No.: **29/543,541**

(22) Filed: **Oct. 26, 2015**

(51) **LOC (10) Cl.** **12-12**

(52) **U.S. Cl.**
USPC **D12/133**

(58) **Field of Classification Search**
USPC **D12/128–133**

(Continued)

(56) **References Cited**

U.S. PATENT DOCUMENTS

4,662,361 A 5/1987 Patterson
D296,364 S 6/1988 Nippoldt
(Continued)

OTHER PUBLICATIONS

European Community Design Registration No. 002484568-0001, registered on Jun. 17, 2014.

(Continued)

Primary Examiner — Charles Hanson

(74) *Attorney, Agent, or Firm* — Economou Silfin LLP; Ira E. Silfin

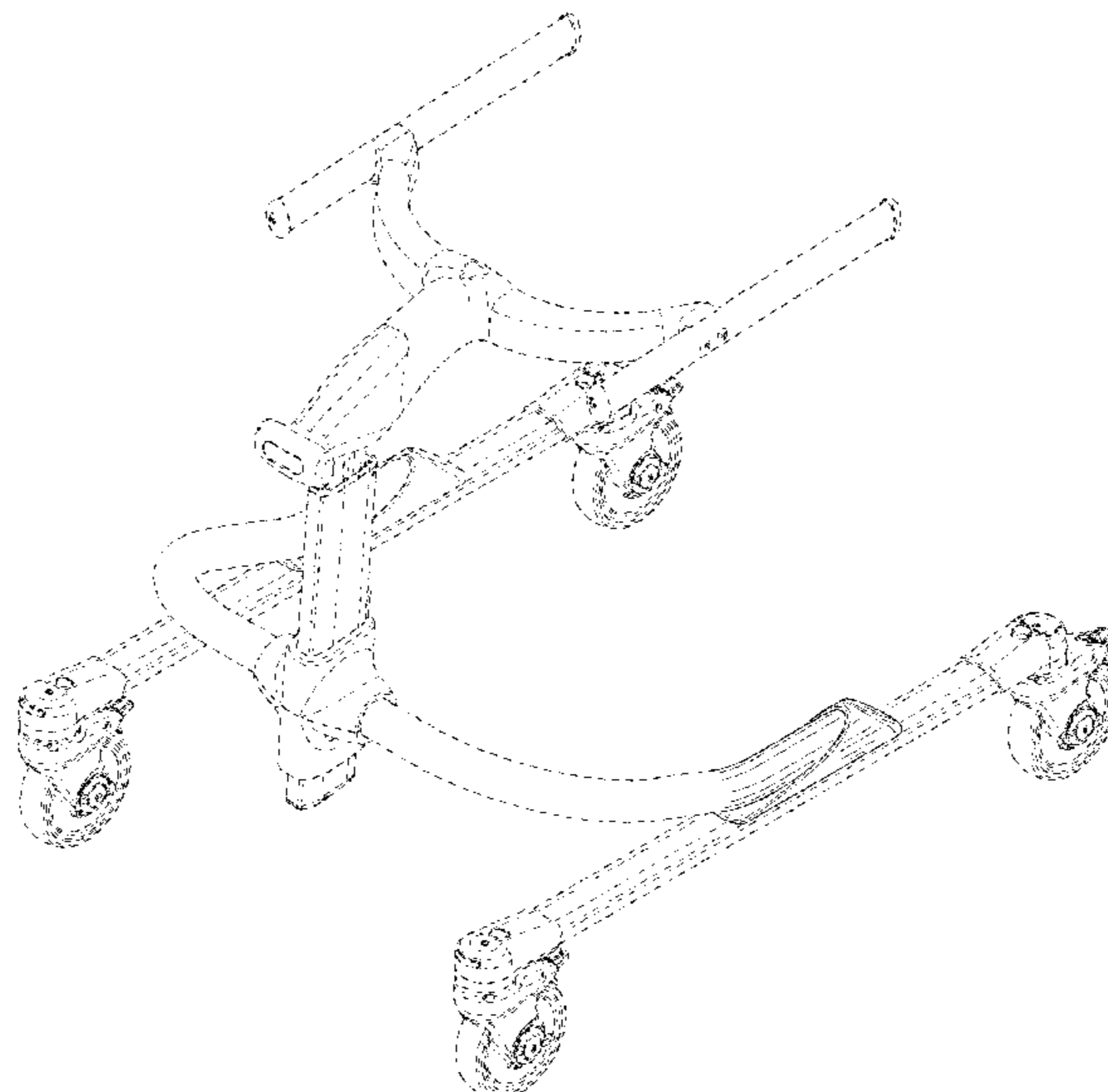
(57) **CLAIM**

The ornamental design for a support apparatus, as shown and described.

DESCRIPTION

FIG. 1 is a perspective view of an exemplary embodiment of a support apparatus showing our new design; FIG. 2 is a front view of the support apparatus of FIG. 1; FIG. 3 is a rear view of the support apparatus of FIG. 1; FIG. 4 is a left side view of the support apparatus of FIG. 1; FIG. 5 is a right side view of the support apparatus of FIG. 1; FIG. 6 is a top plan view of the support apparatus of FIG. 1; FIG. 7 is a bottom plan view of the support apparatus of FIG. 1; FIG. 8 is a perspective view of another exemplary embodiment of a support apparatus showing our new design; FIG. 9 is a perspective view of another exemplary embodiment of a support apparatus showing our new design; FIG. 10 is a perspective view of another exemplary embodiment of a support apparatus showing our new design; FIG. 11 is a front view of the support apparatus of FIG. 10; FIG. 12 is a rear view of the support apparatus of FIG. 10; FIG. 13 is a left side view of the support apparatus of FIG. 10; FIG. 14 is a right side view of the support apparatus of FIG. 10; FIG. 15 is a top plan view of the support apparatus of FIG. 10; FIG. 16 is a bottom plan view of the support apparatus of FIG. 10; FIG. 17 is a perspective view of another exemplary embodiment of a support apparatus showing our new design; and, FIG. 18 is a perspective view of another exemplary embodiment of a support apparatus showing our new design. That portion(s) of the support apparatuses shown in broken lines are for environmental purposes only and do not form part of the claimed design.

1 Claim, 18 Drawing Sheets



(58) **Field of Classification Search**
 CPC A61G 5/00–5/14; A61H 3/00; A61H 3/04;
 A61H 2003/001–2003/007; A61H
 2003/043; A61H 2003/046
 See application file for complete search history.

(56) **References Cited**

U.S. PATENT DOCUMENTS

D298,569 S	11/1988	Nippoldt	
D298,570 S	11/1988	Nippoldt	
5,054,137 A	10/1991	Christensen	
D362,911 S	10/1995	Helms	
D433,968 S *	11/2000	Mascari	D12/131
D439,869 S *	4/2001	Kjell	D12/128
6,312,000 B1 *	11/2001	Pauls	A61G 5/043 180/907
D455,376 S *	4/2002	Lindenkamp	D12/131
D494,110 S	8/2004	Cheng	

D496,463 S	9/2004	Hunt	
D589,623 S	3/2009	Olliges	
D598,816 S	8/2009	Ahlbertz	
D627,270 S	11/2010	Kretschmer	
D627,271 S *	11/2010	Knopf	D12/131
D642,963 S *	8/2011	Greiner	D12/131
D677,606 S	3/2013	Akre	
D699,160 S	2/2014	Yang	
D699,161 S *	2/2014	Yang	D12/131
D751,468 S *	3/2016	Stryker	D12/131
2004/0222611 A1	11/2004	Fenwick	
2005/0065675 A1	3/2005	Georgi	
2007/0169267 A1	7/2007	Paz	
2012/0132213 A1	5/2012	Kakko	

OTHER PUBLICATIONS

European Community Design Registration No. 002484568-0002,
 registered on Jun. 17, 2014.

* cited by examiner

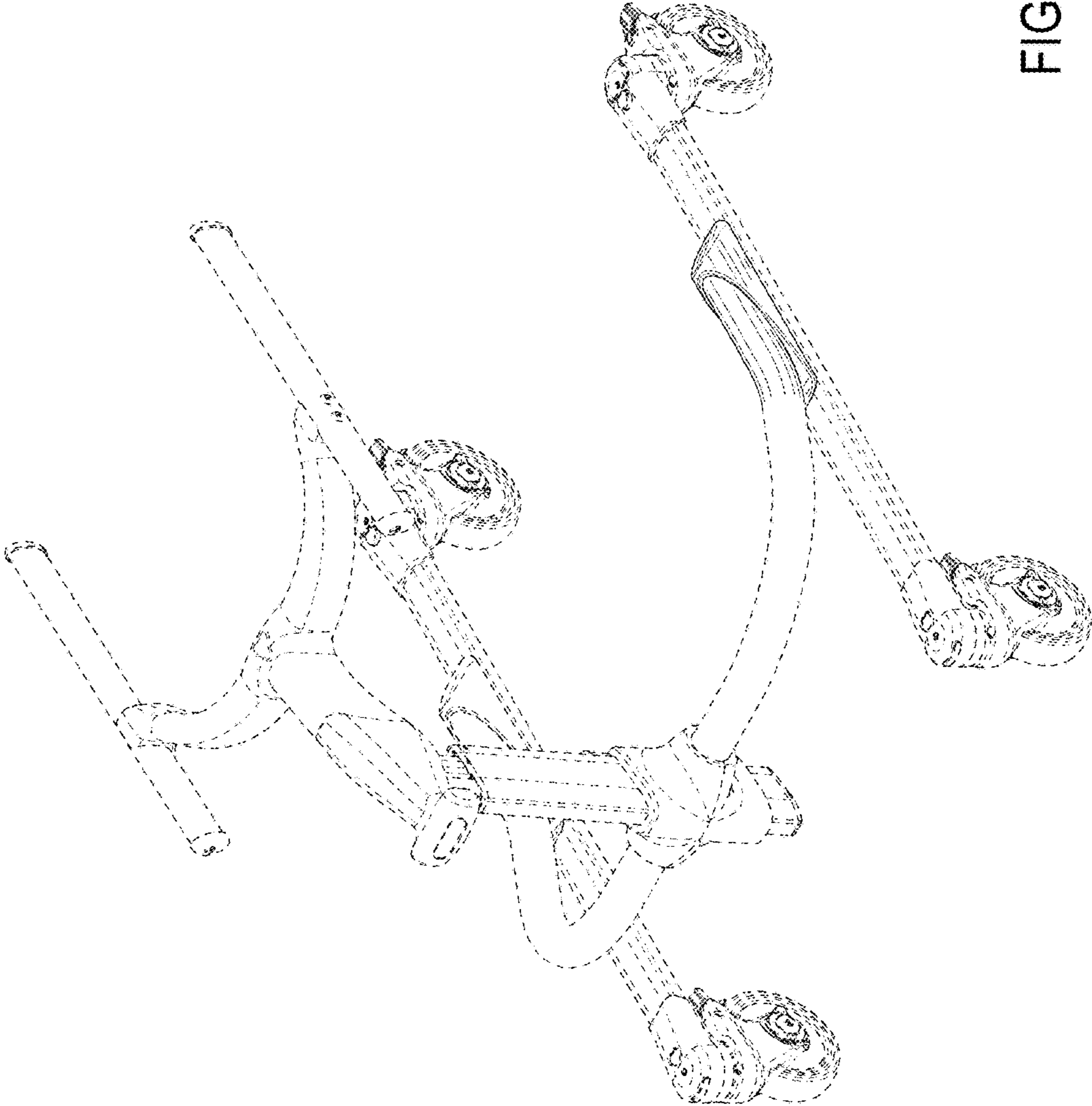


FIG. 1

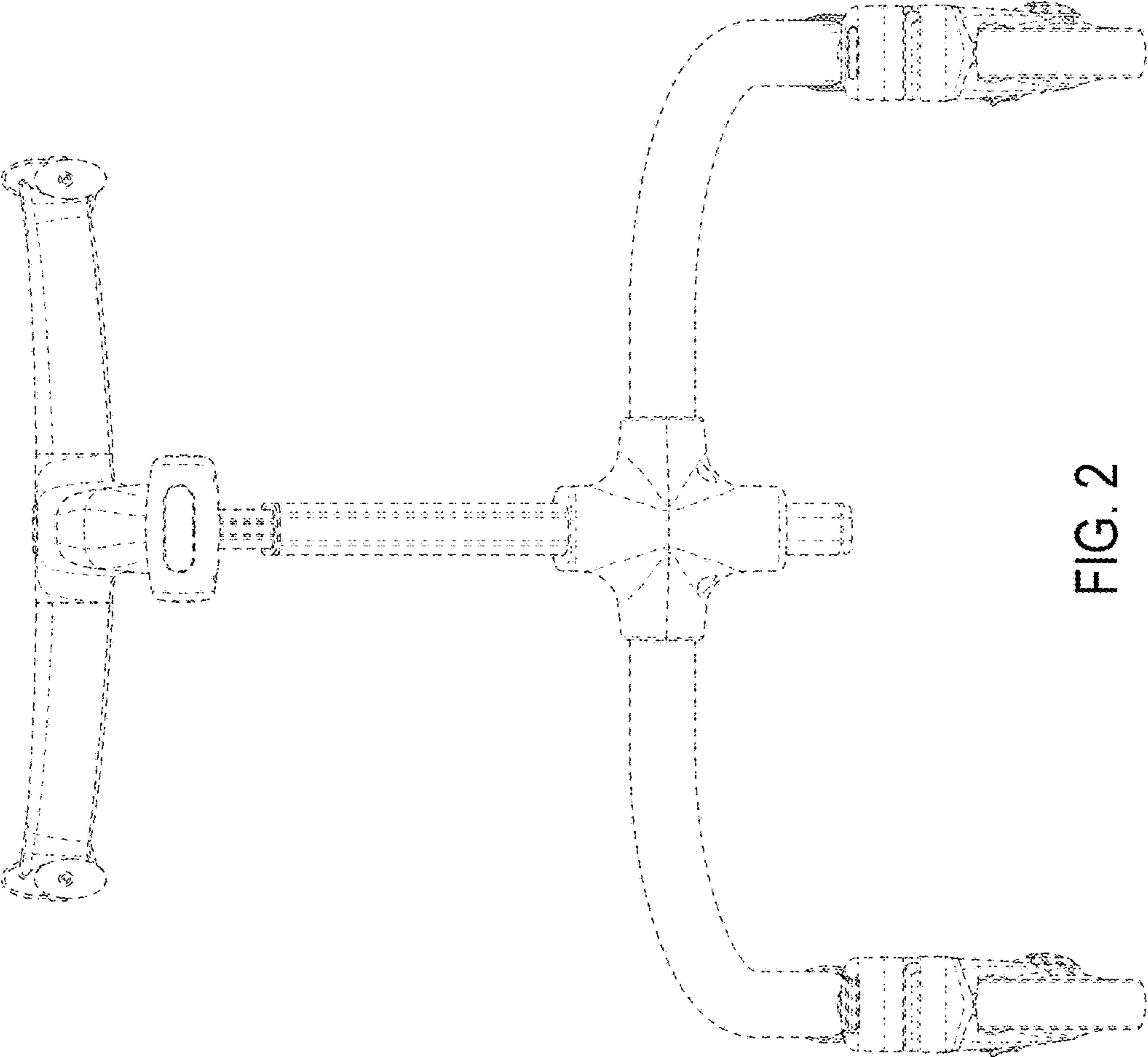


FIG. 2

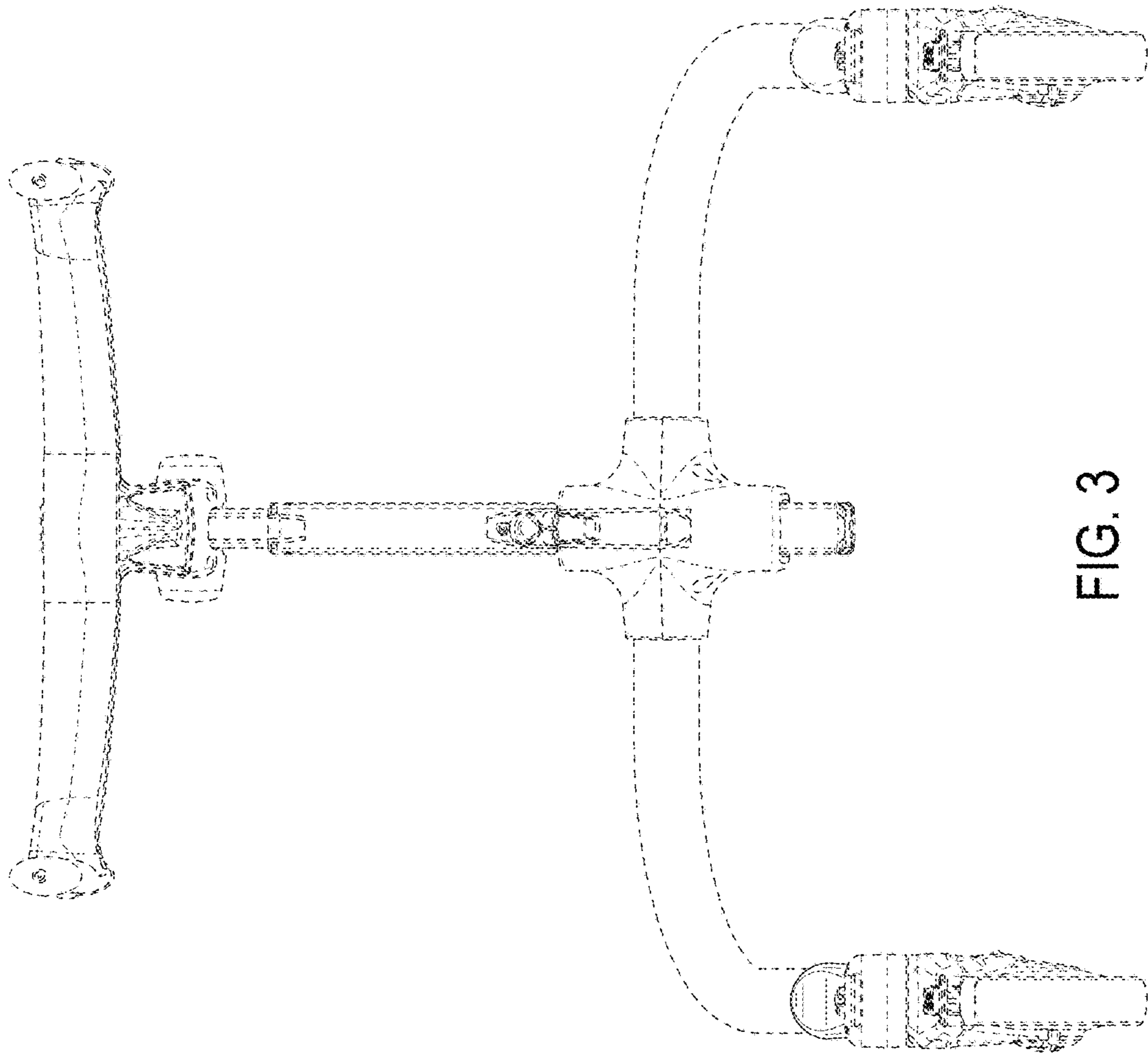


FIG. 3

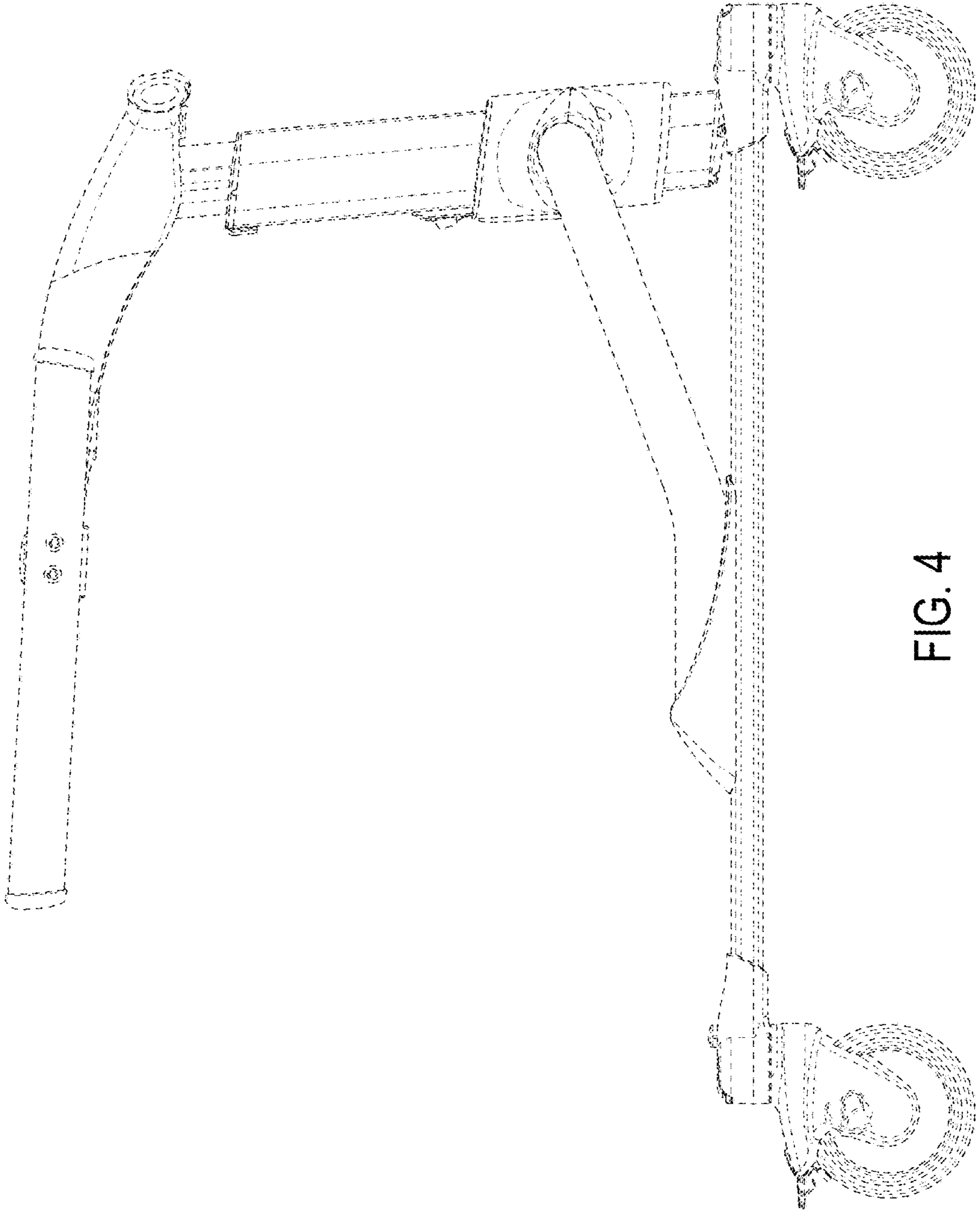


FIG. 4

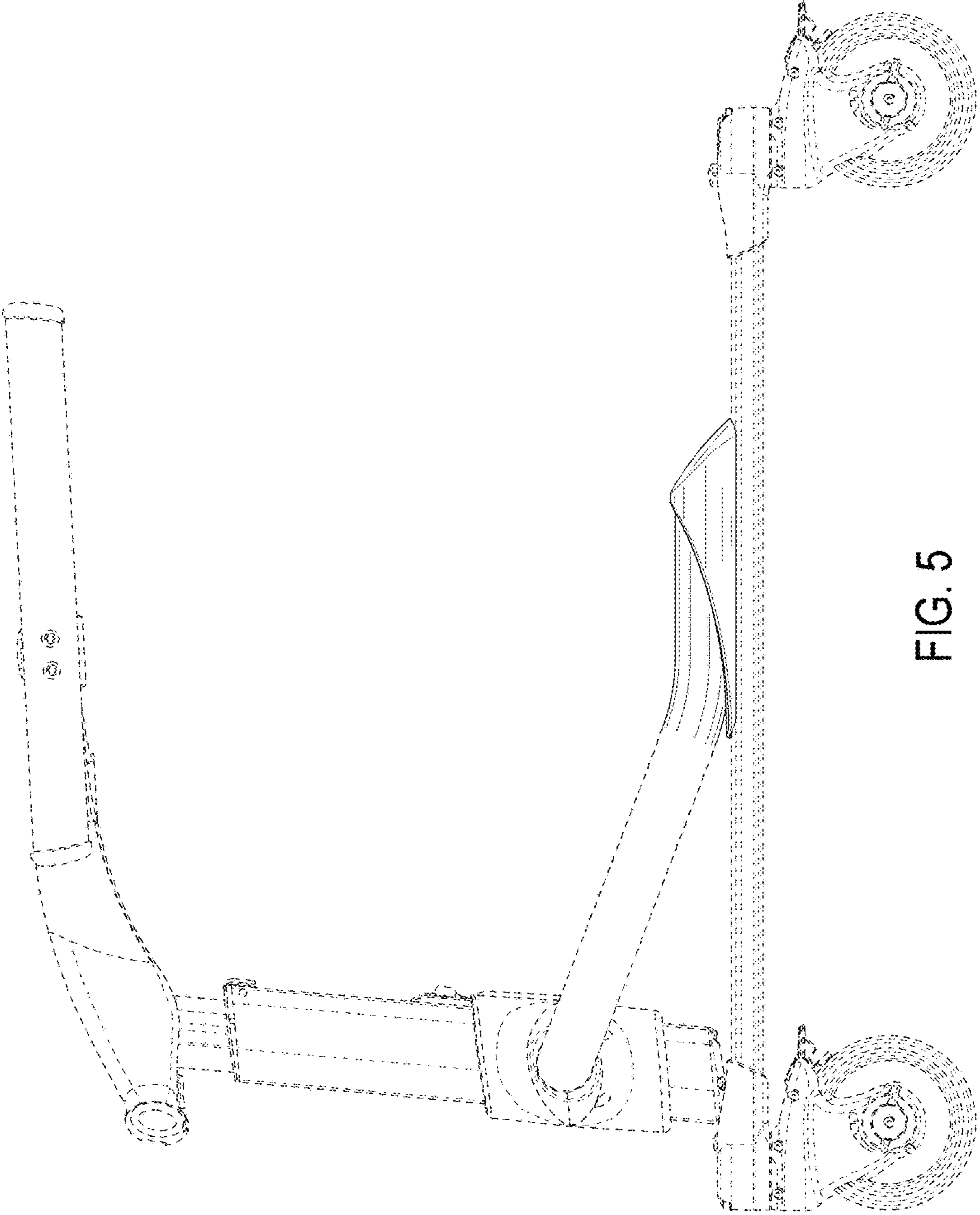


FIG. 5

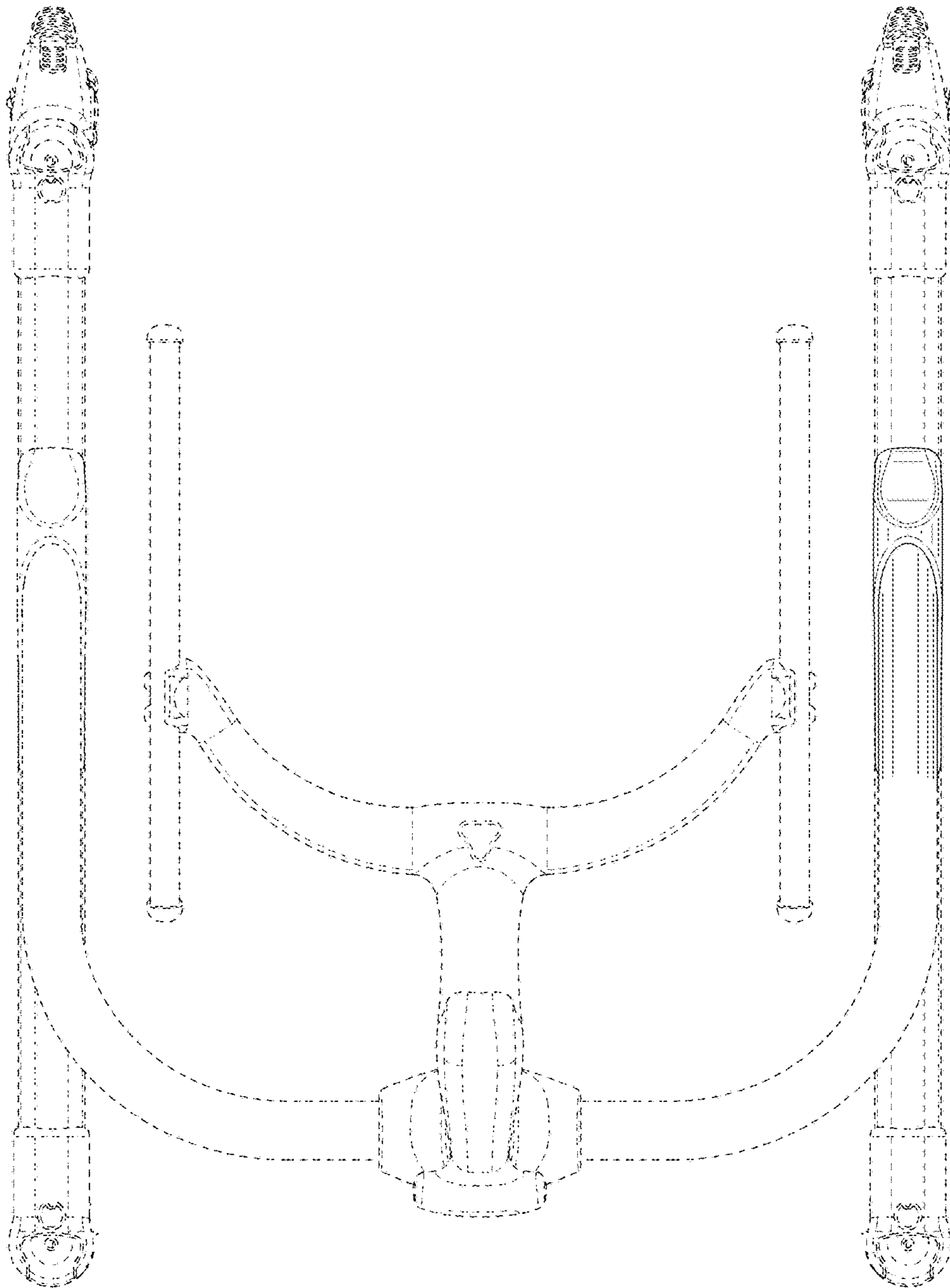


FIG. 6

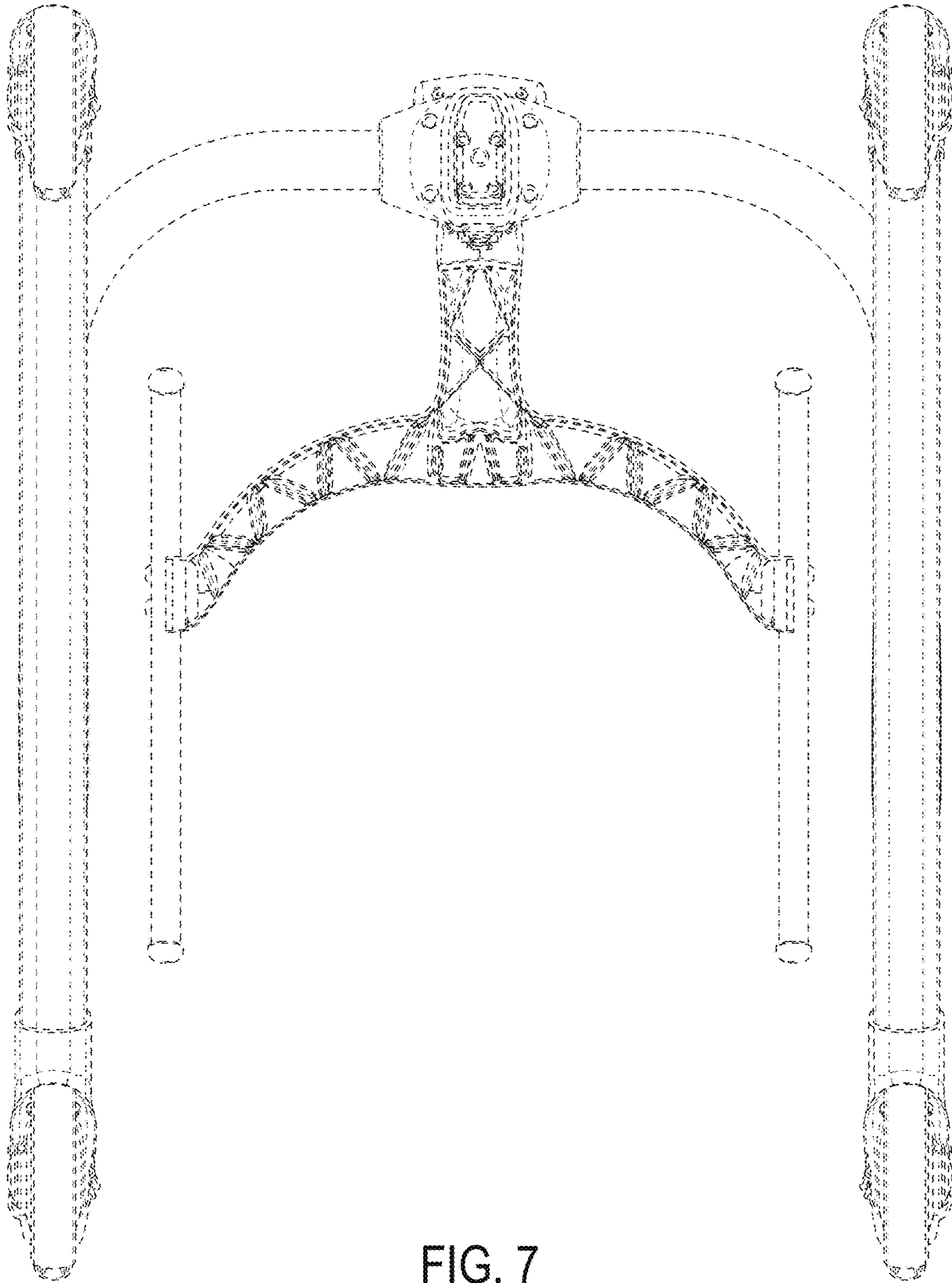


FIG. 7

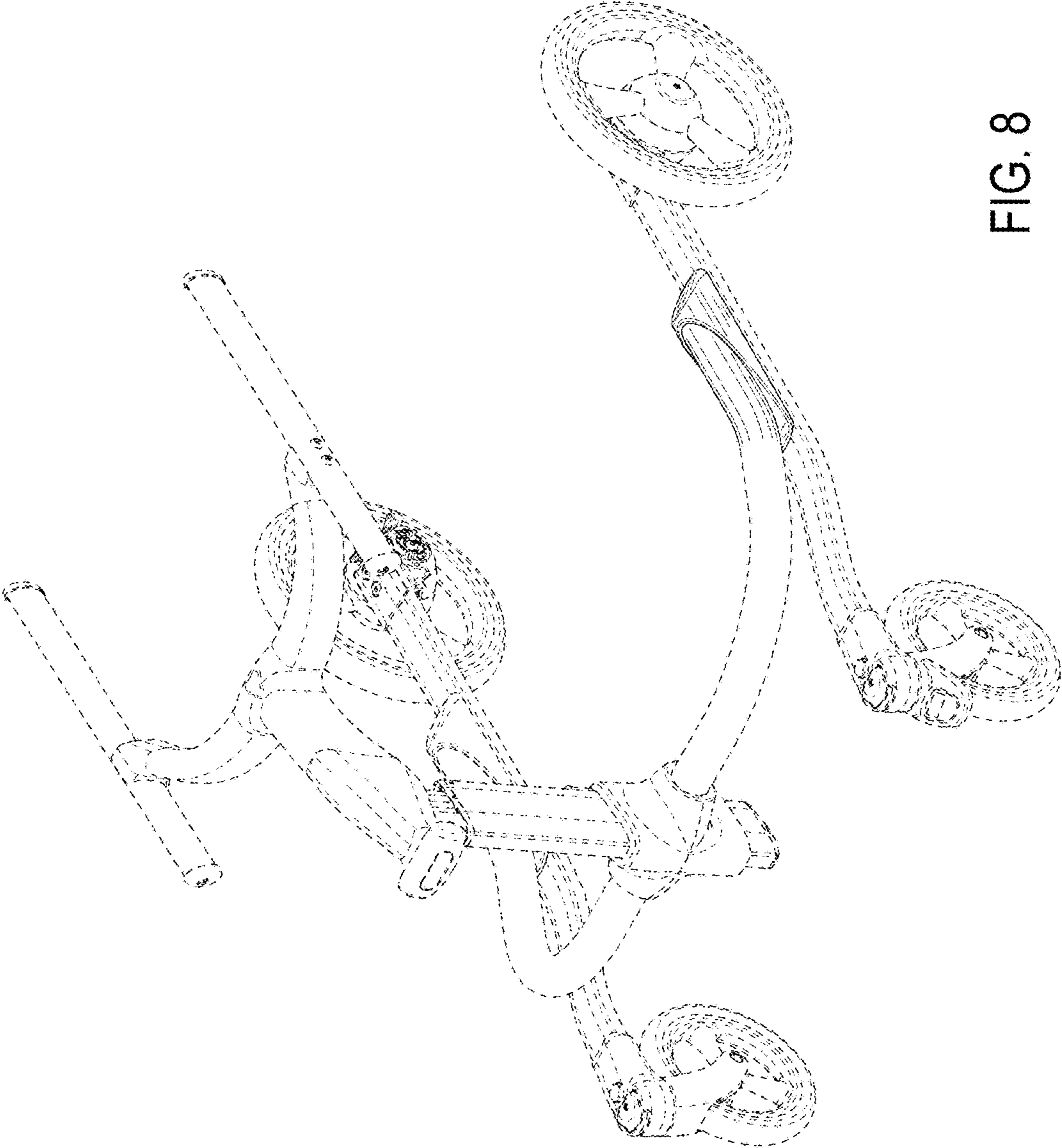


FIG. 8

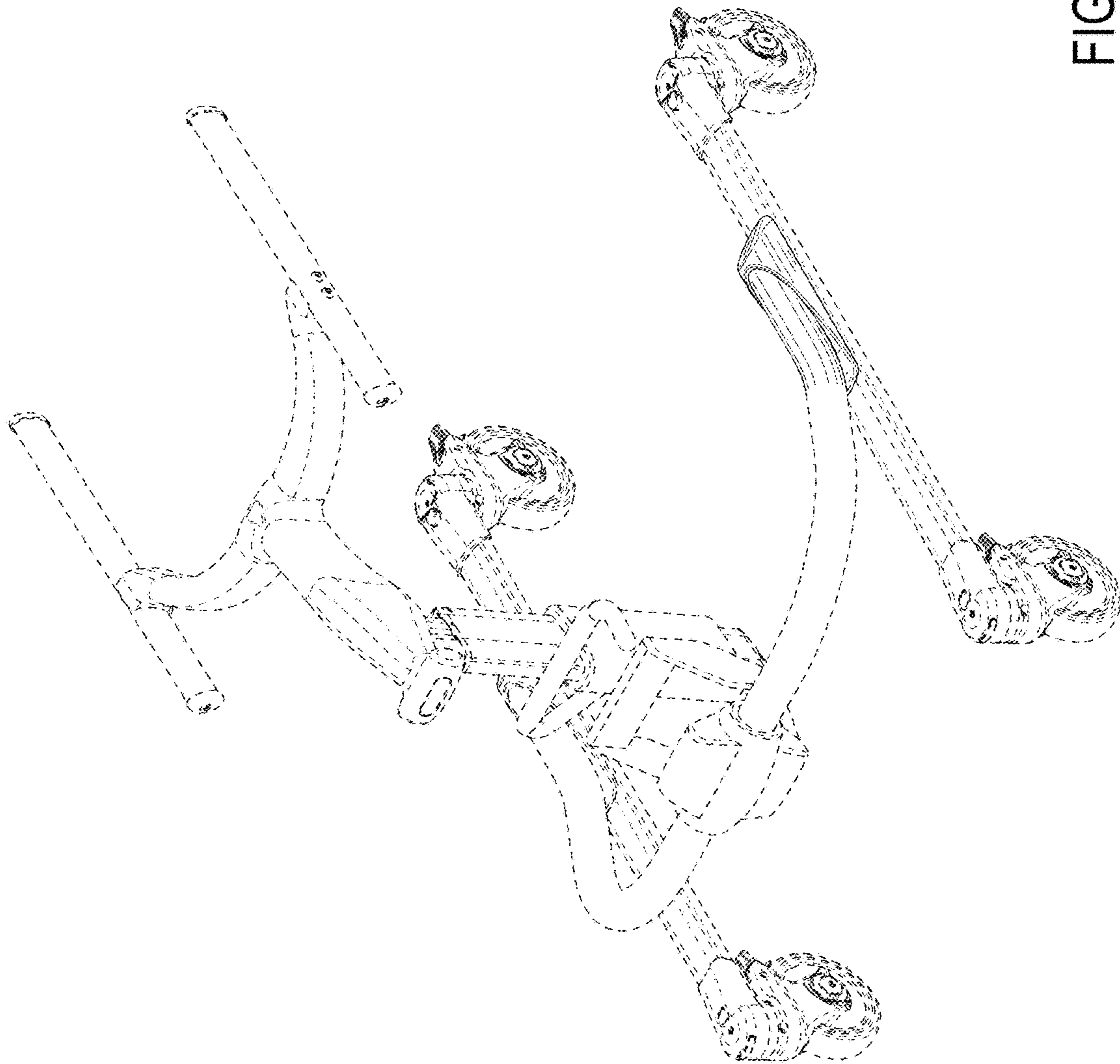


FIG. 9

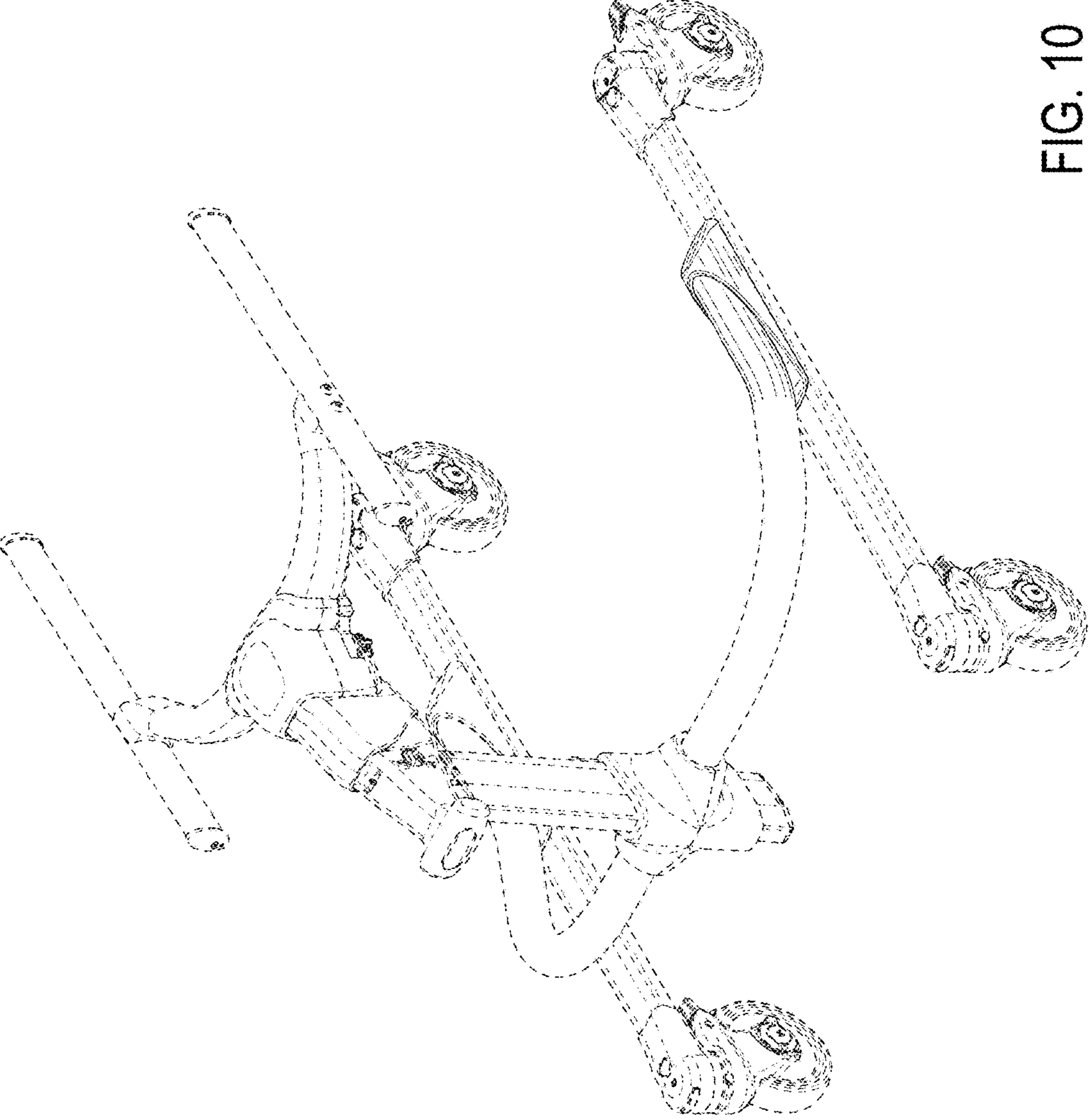


FIG. 10

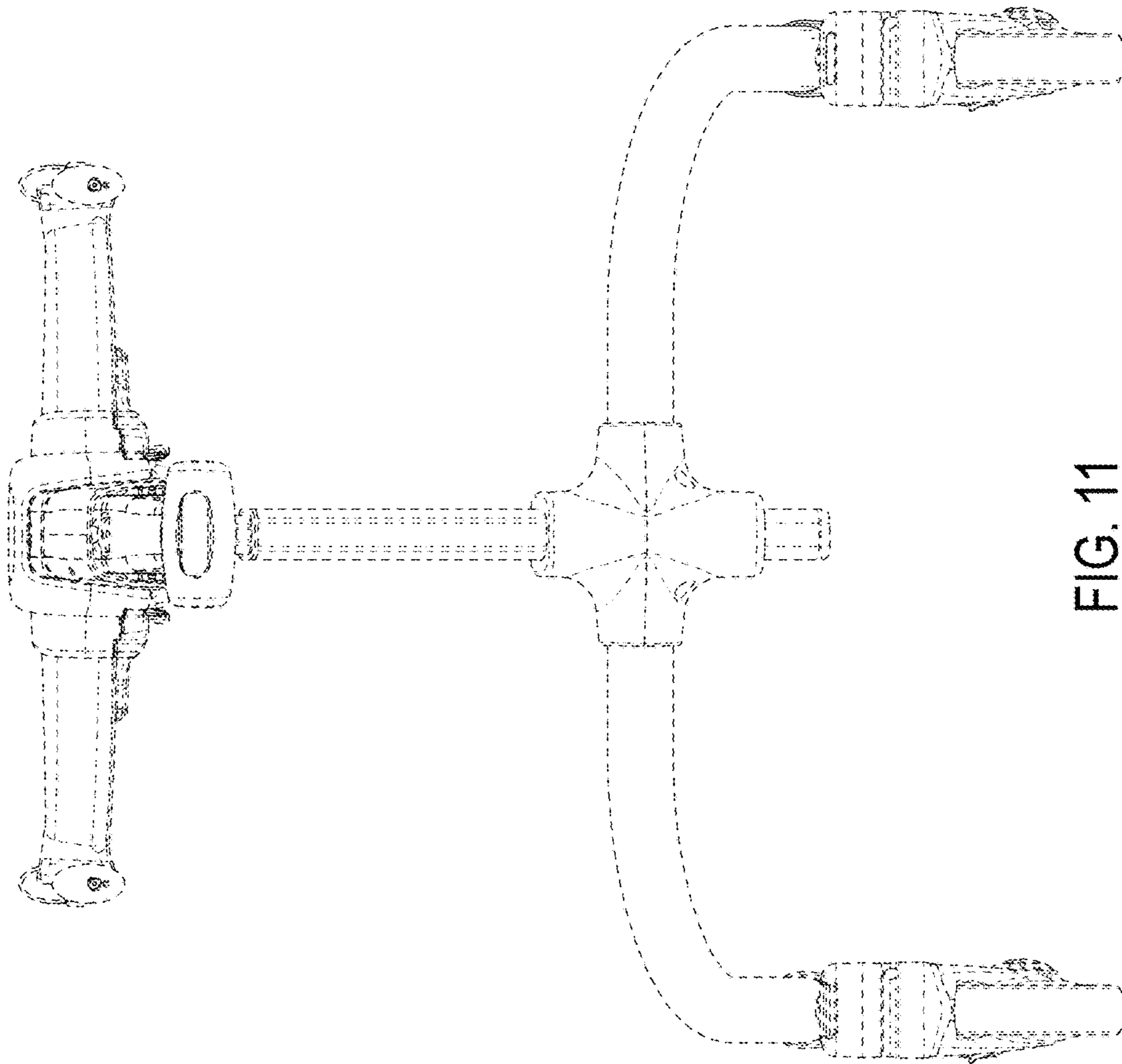


FIG. 11

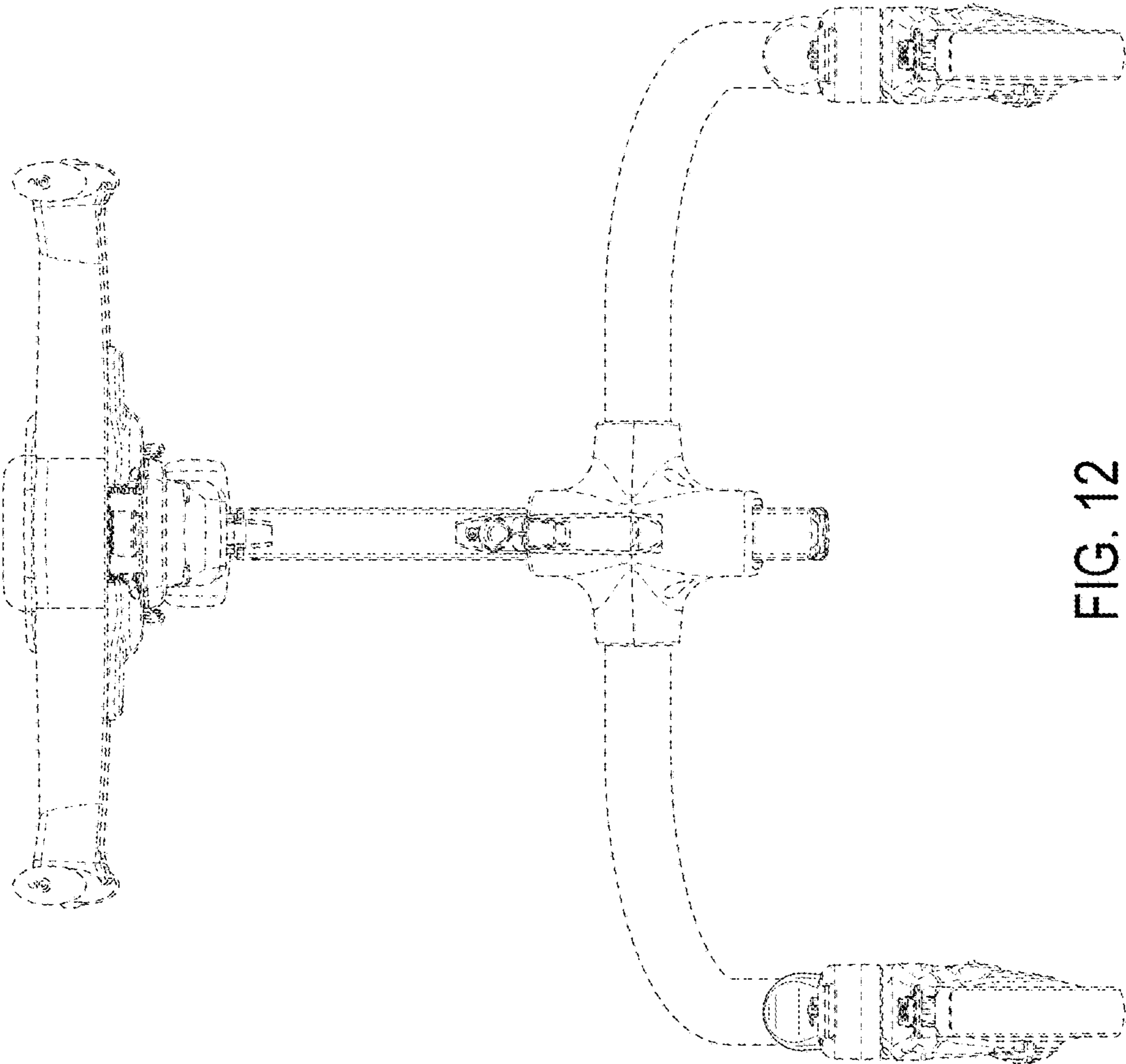


FIG. 12

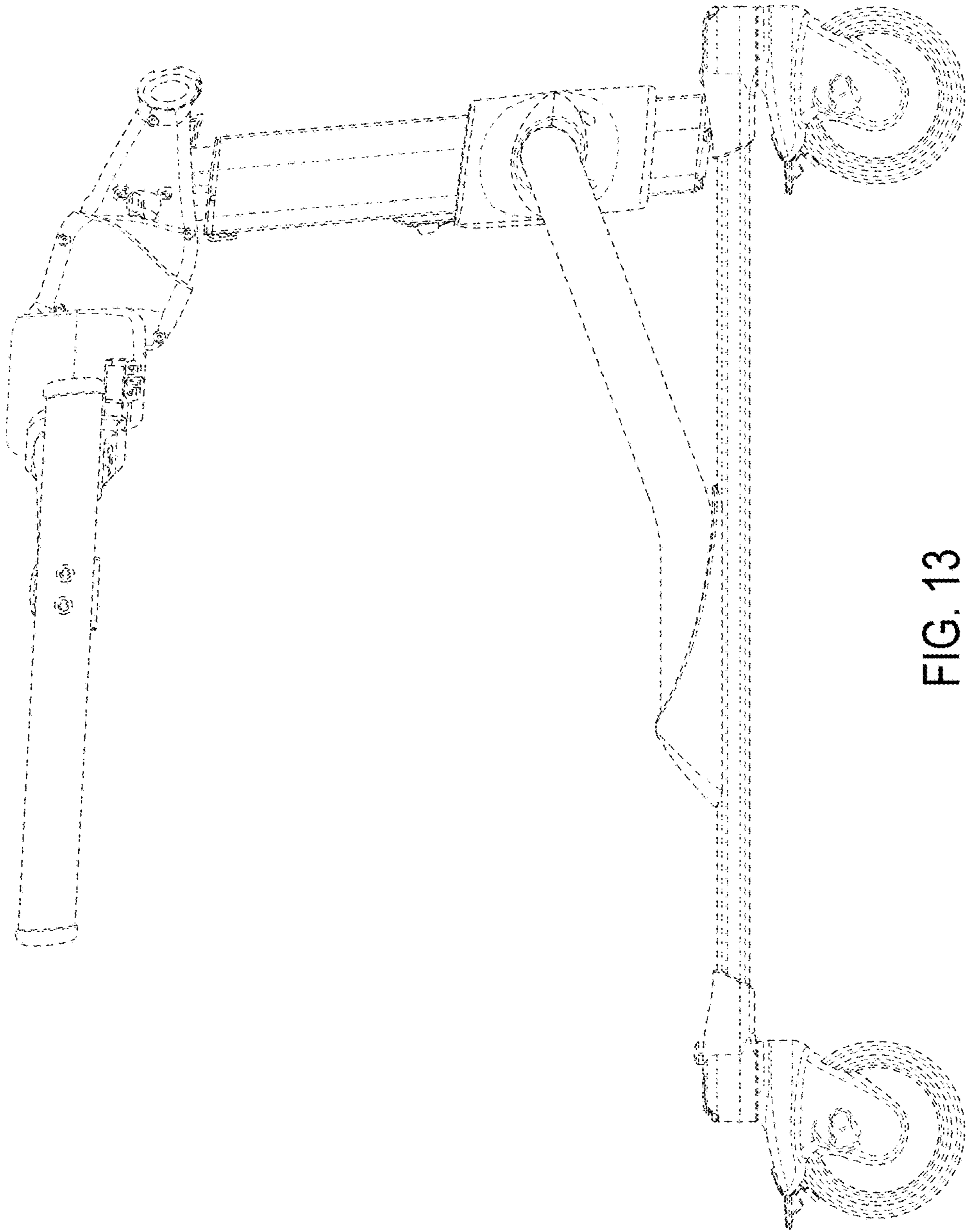


FIG. 13

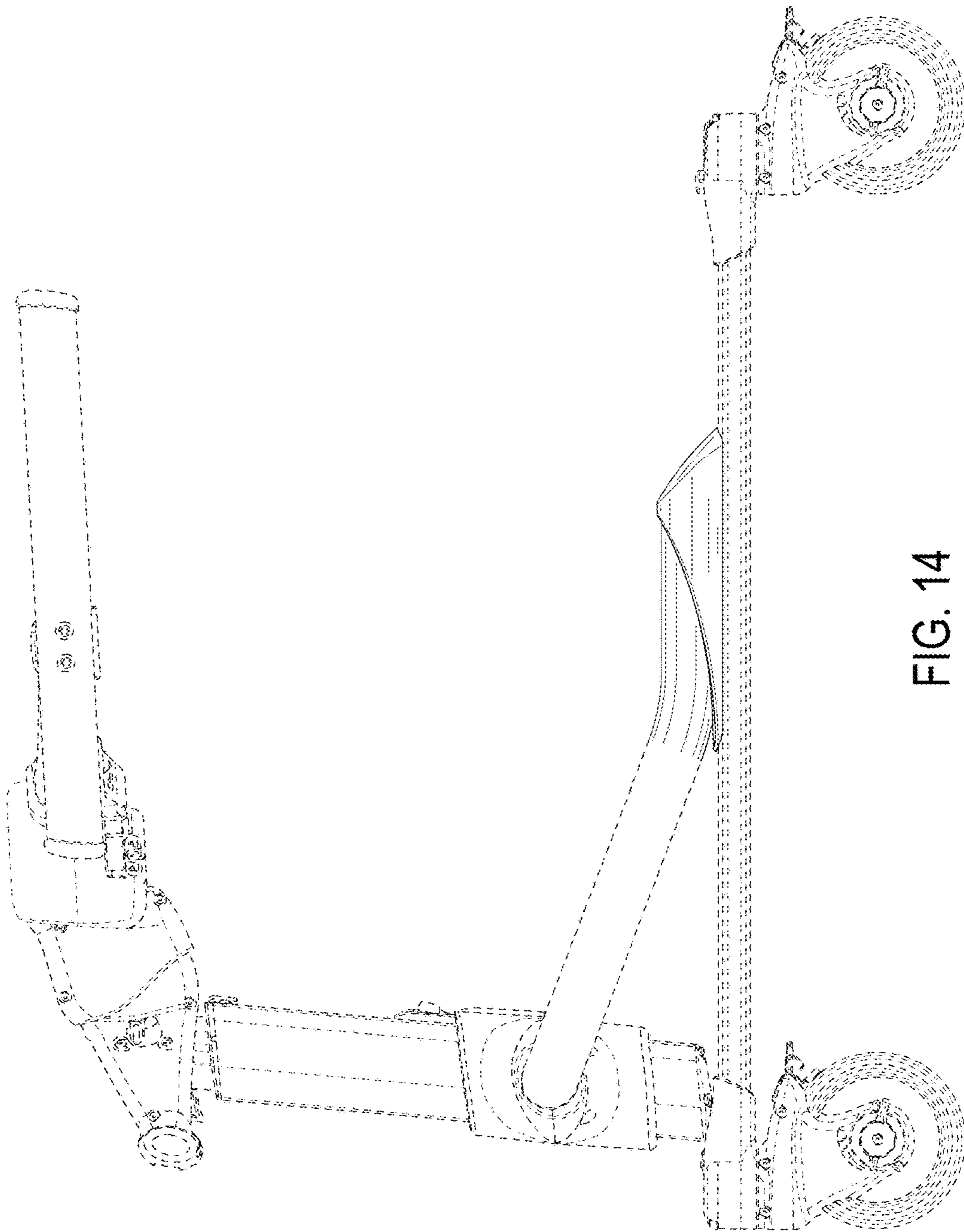


FIG. 14

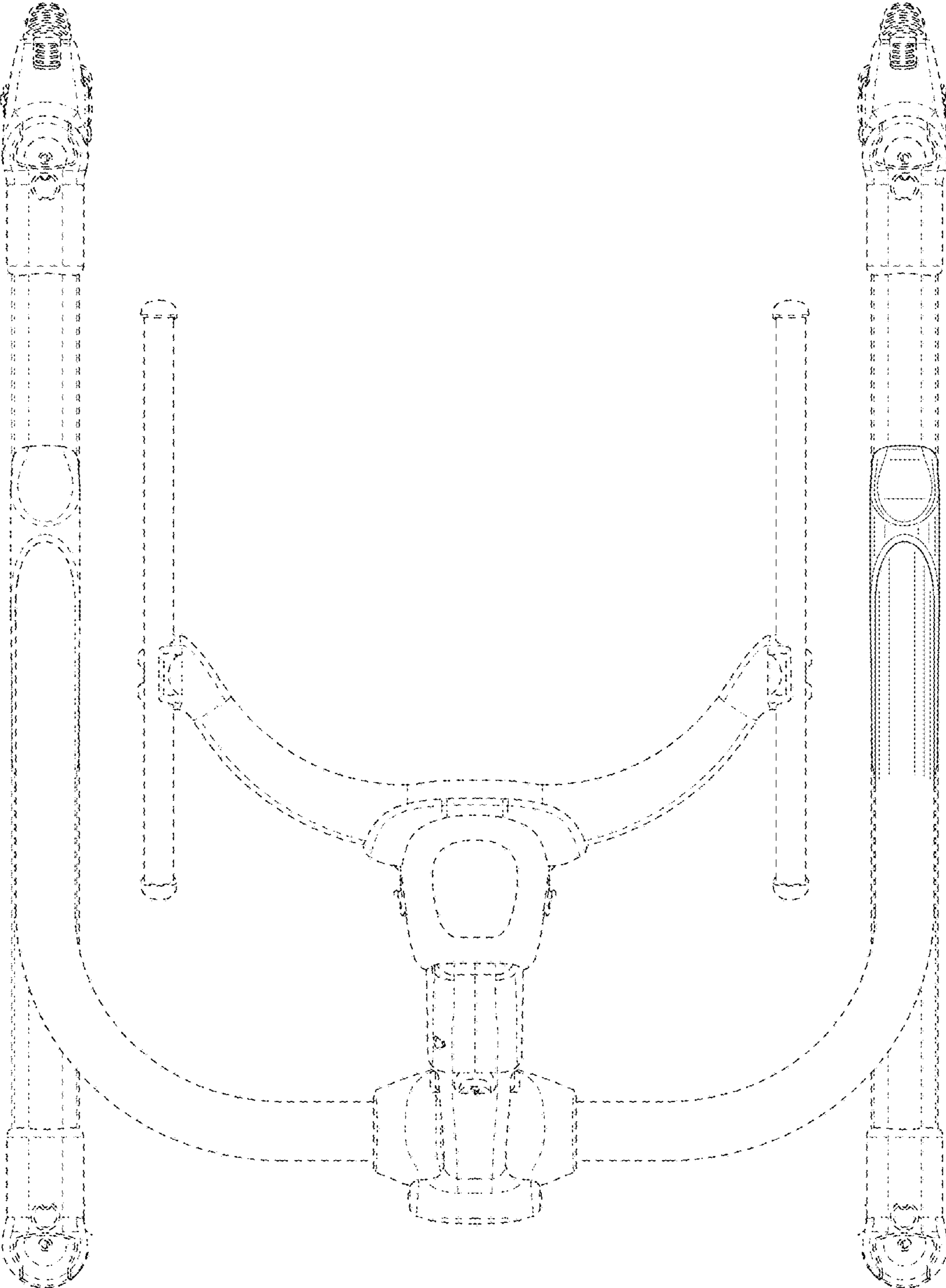


FIG. 15

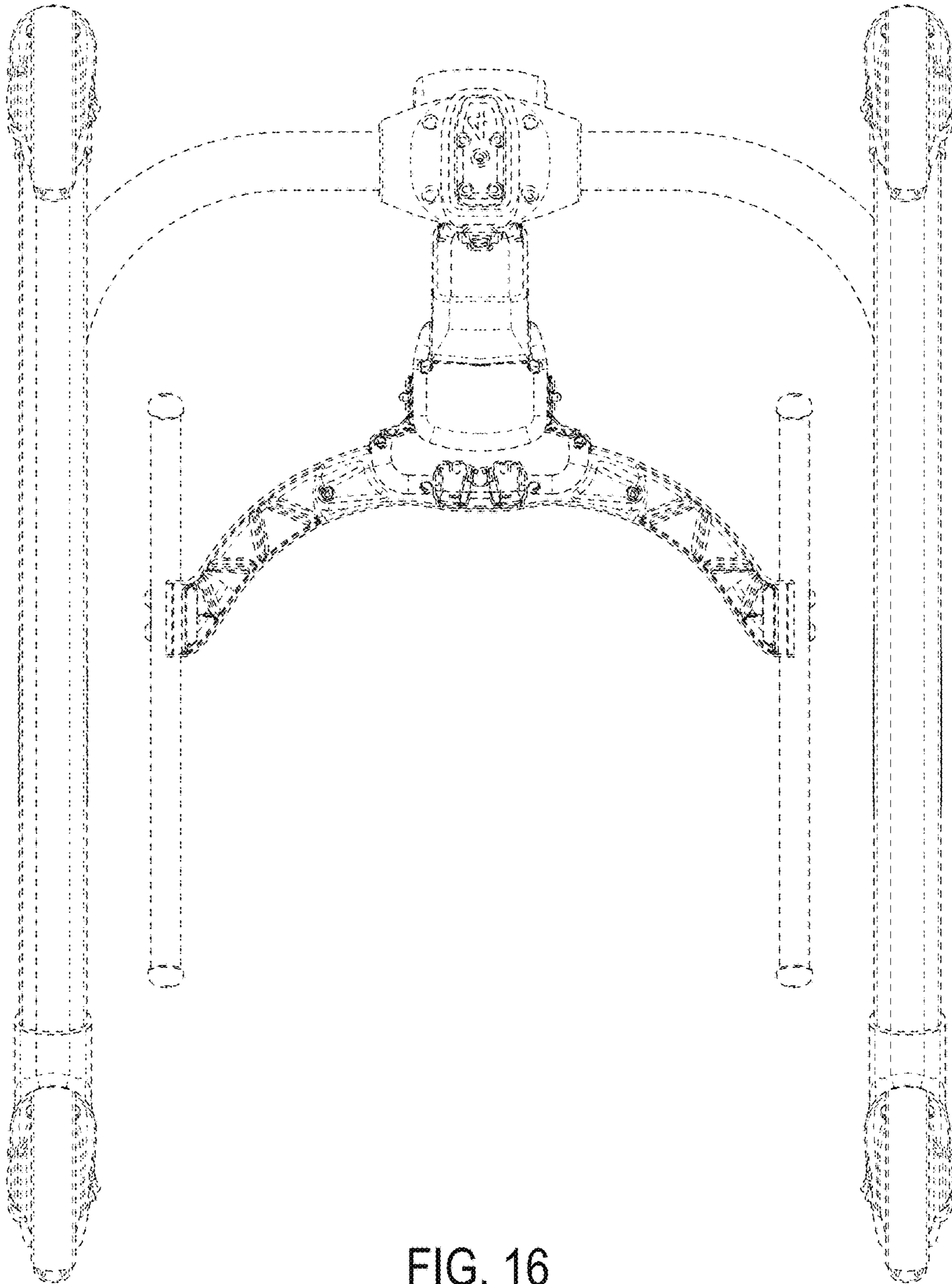


FIG. 16

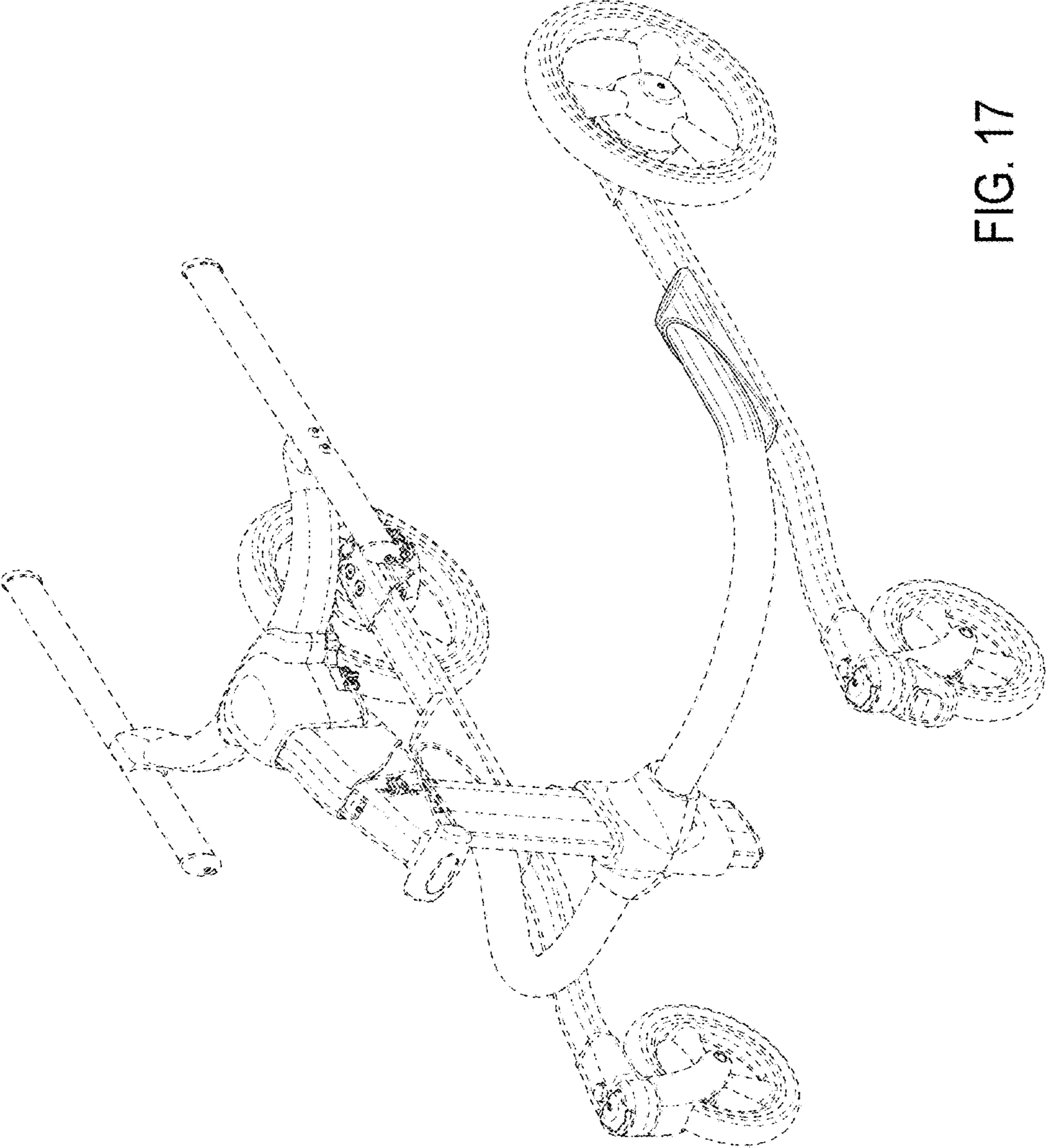


FIG. 17

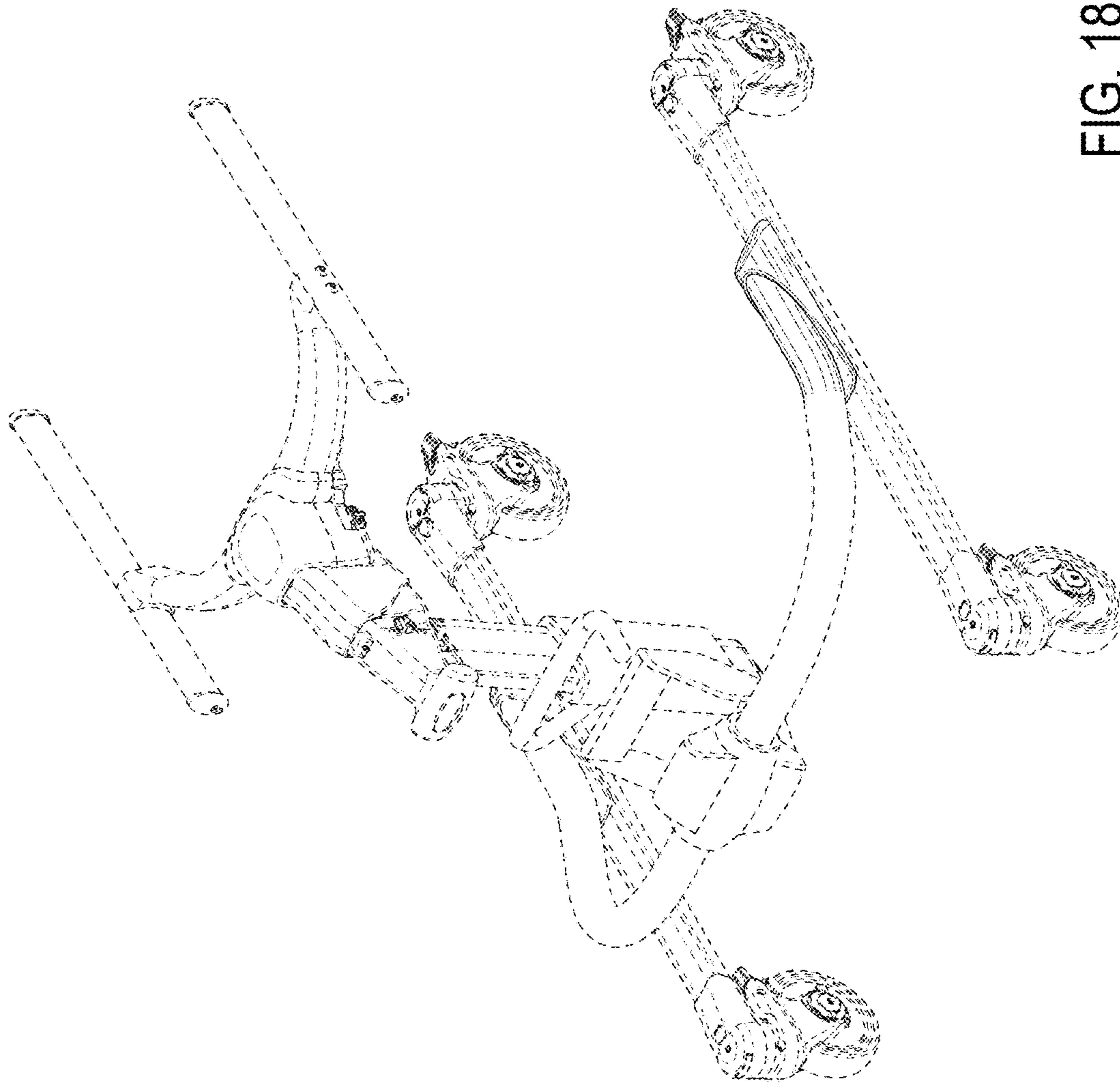


FIG. 18