



US00D780073S

(12) **United States Design Patent**  
**Tsai**

(10) **Patent No.:** **US D780,073 S**

(45) **Date of Patent:** **\*\* Feb. 28, 2017**

(54) **BABY STROLLER FRAME**

(71) Applicant: **Baby Trend Inc.**, Ontario, CA (US)

(72) Inventor: **Denny Tsai**, Chino Hills, CA (US)

(73) Assignee: **BABY TREND INC.**, Ontario, CA (US)

(\*\*) Term: **15 Years**

(21) Appl. No.: **29/551,619**

(22) Filed: **Jan. 14, 2016**

(51) **LOC (10) Cl.** ..... **12-12**

(52) **U.S. Cl.**  
USPC ..... **D12/129**

(58) **Field of Classification Search**  
USPC ..... D12/128-133  
CPC ..... B62B 7/00-7/04; B62B 9/00-9/28  
See application file for complete search history.

(56) **References Cited**

**U.S. PATENT DOCUMENTS**

D375,707 S *	11/1996	Yang	.....	D12/129
D519,422 S *	4/2006	Huang	.....	D12/129
7,267,359 B1 *	9/2007	Yang	.....	B62B 7/08 280/47.34
7,364,171 B2 *	4/2008	Hu	.....	B60B 1/006 280/47.38
D578,044 S *	10/2008	Chen	.....	D12/129
D593,459 S *	6/2009	Liao	.....	D12/129
D596,996 S *	7/2009	Yang	.....	D12/129

D621,306 S *	8/2010	Liao	.....	D12/129
D643,343 S *	8/2011	Song	.....	D12/129
D661,624 S *	6/2012	Stopp	.....	D12/129
D672,692 S *	12/2012	Jane Santamaria	.....	D12/129
D677,605 S *	3/2013	Ide	.....	D12/129
D715,702 S *	10/2014	Chen	.....	D12/129
D721,015 S *	1/2015	Bassan	.....	D12/129
D726,078 S *	4/2015	Liao	.....	D12/129
D733,617 S *	7/2015	Angelfoss	.....	D12/129
D737,733 S *	9/2015	Zhong	.....	D12/129
D747,669 S *	1/2016	Cheng	.....	D12/129
D753,027 S *	4/2016	Jane Santamaria	.....	D12/129
D754,033 S *	4/2016	Angelfoss	.....	D12/129

\* cited by examiner

*Primary Examiner* — Charles Hanson

(74) *Attorney, Agent, or Firm* — Chen Yoshimura LLP

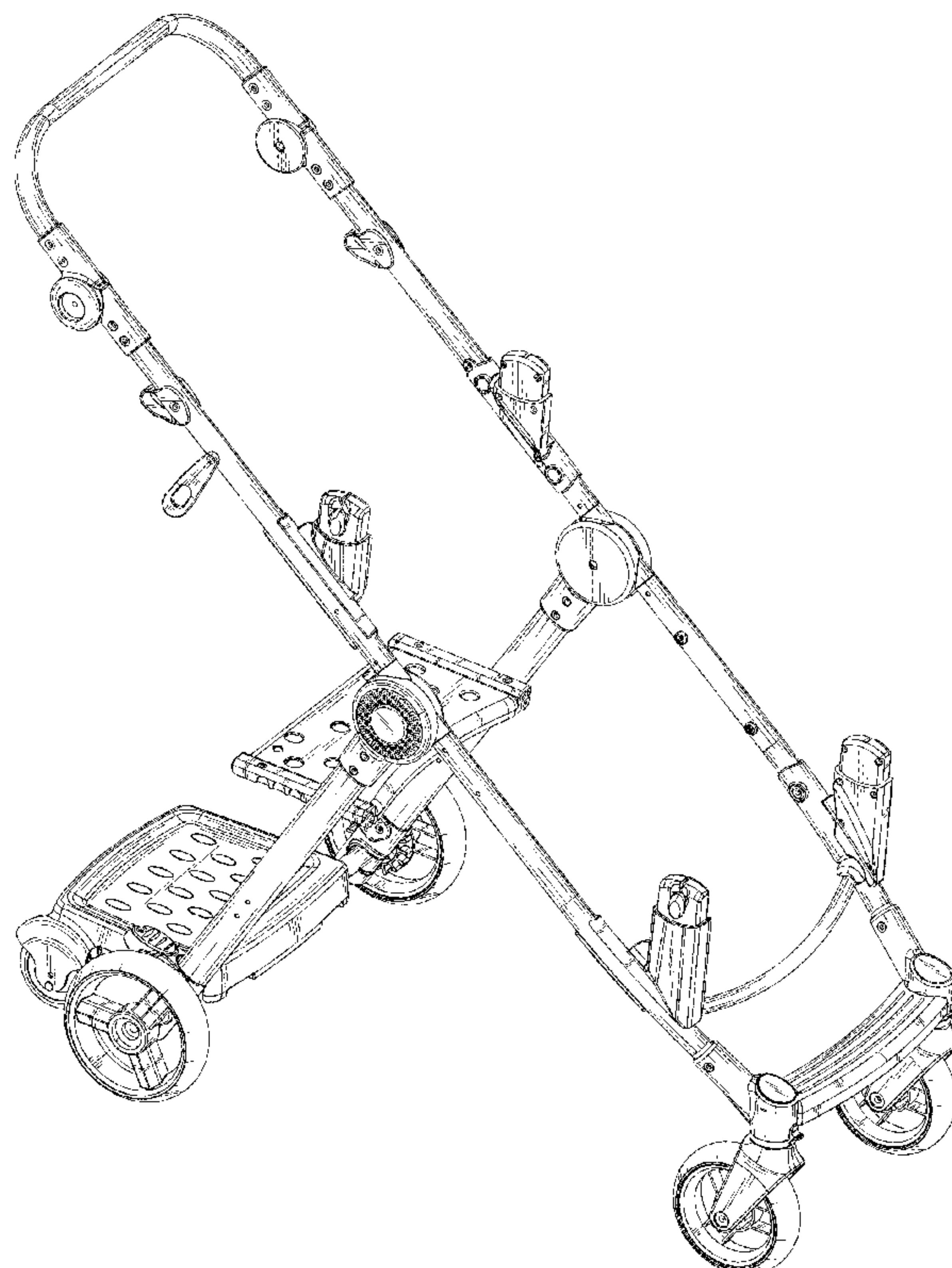
(57) **CLAIM**

The ornamental design for a baby stroller frame, as shown.

**DESCRIPTION**

FIG. 1 is a front, top and left side perspective view of a baby stroller frame showing my new design; FIG. 2 is a front elevational view thereof; FIG. 3 is a rear elevational view thereof; FIG. 4 is a left side elevational view thereof; FIG. 5 is a right side elevational view thereof; FIG. 6 is a top plan view thereof; and, FIG. 7 is a bottom plan view thereof.

**1 Claim, 7 Drawing Sheets**



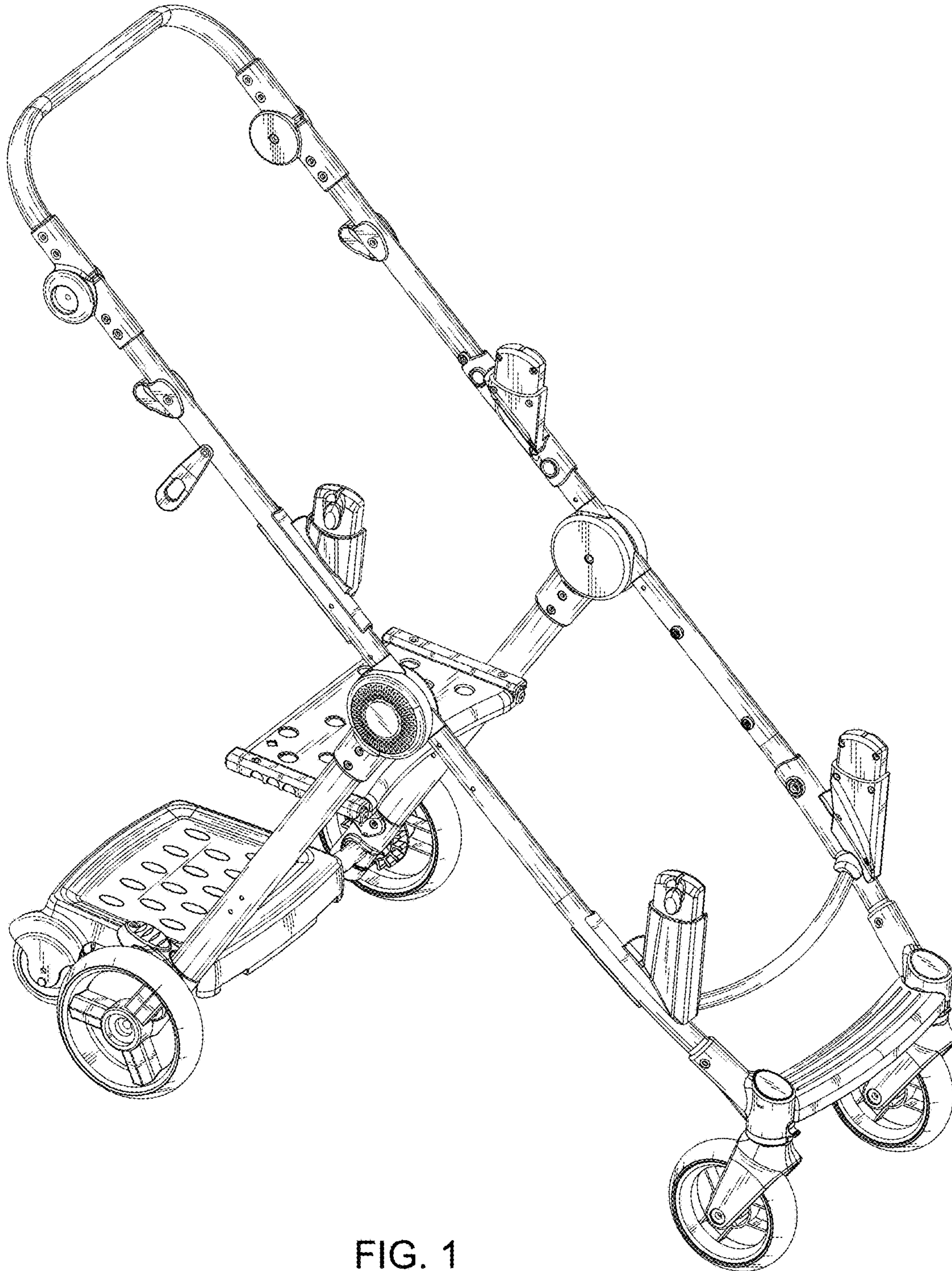


FIG. 1



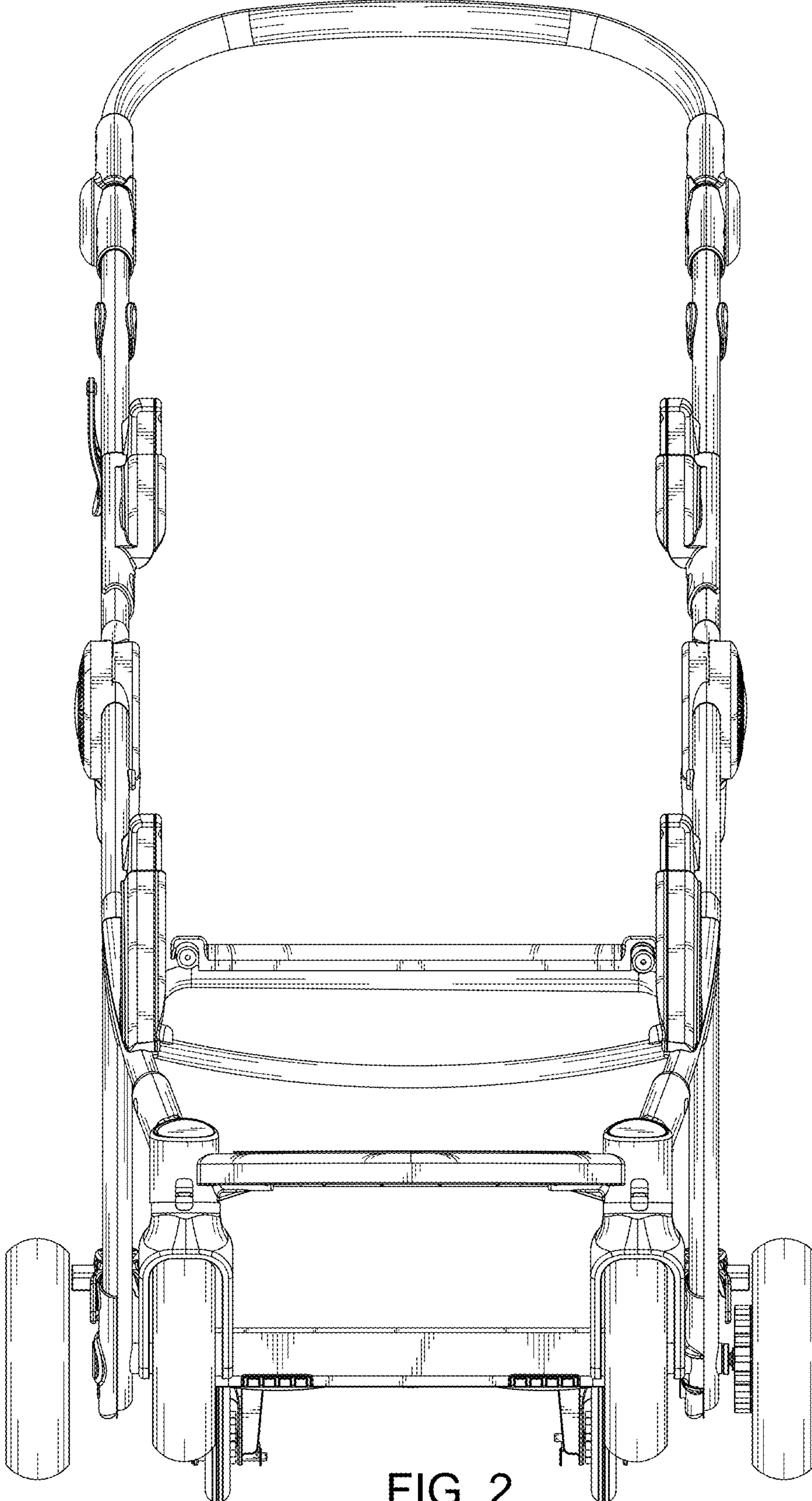


FIG. 2

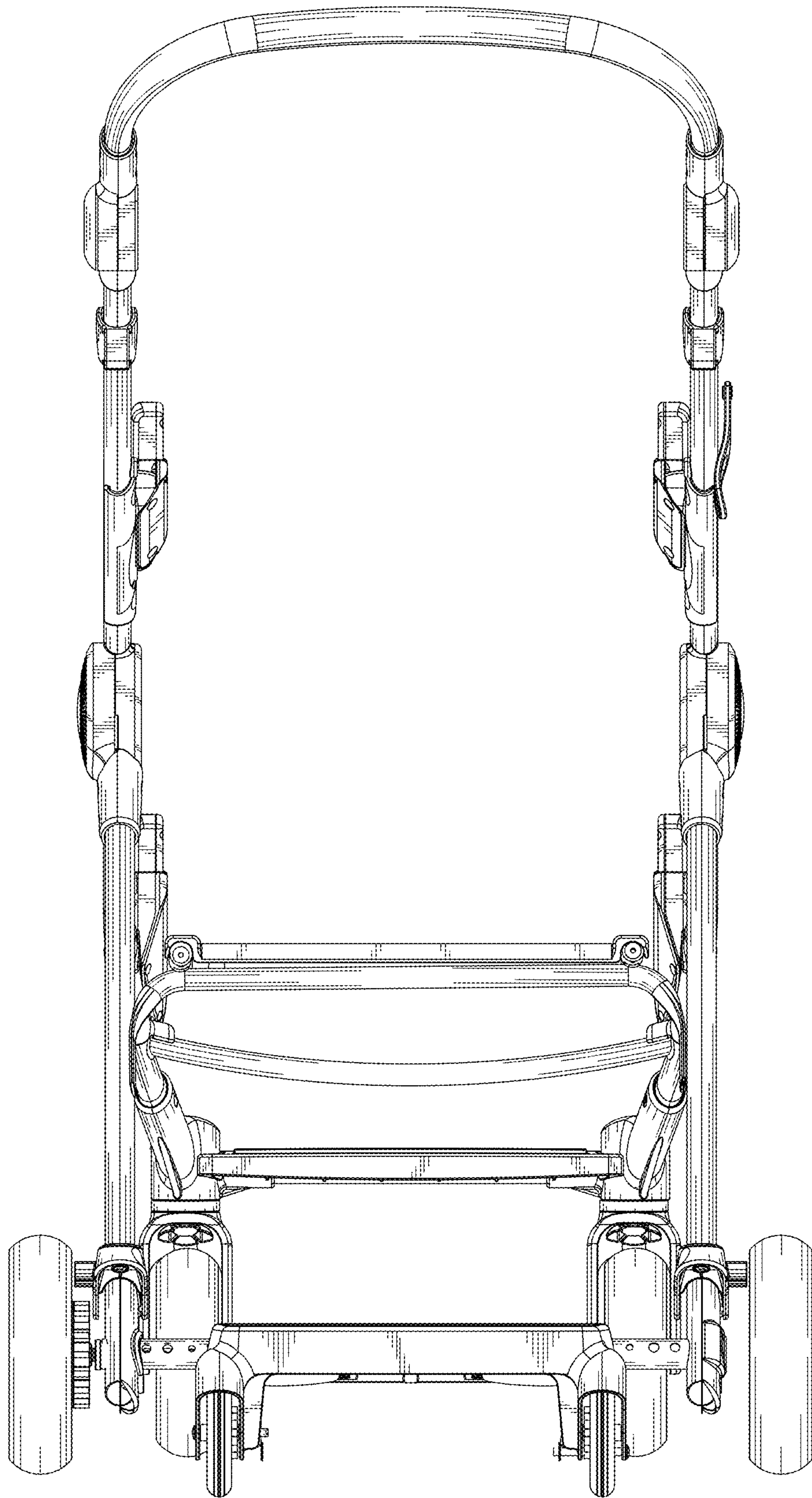


FIG. 3

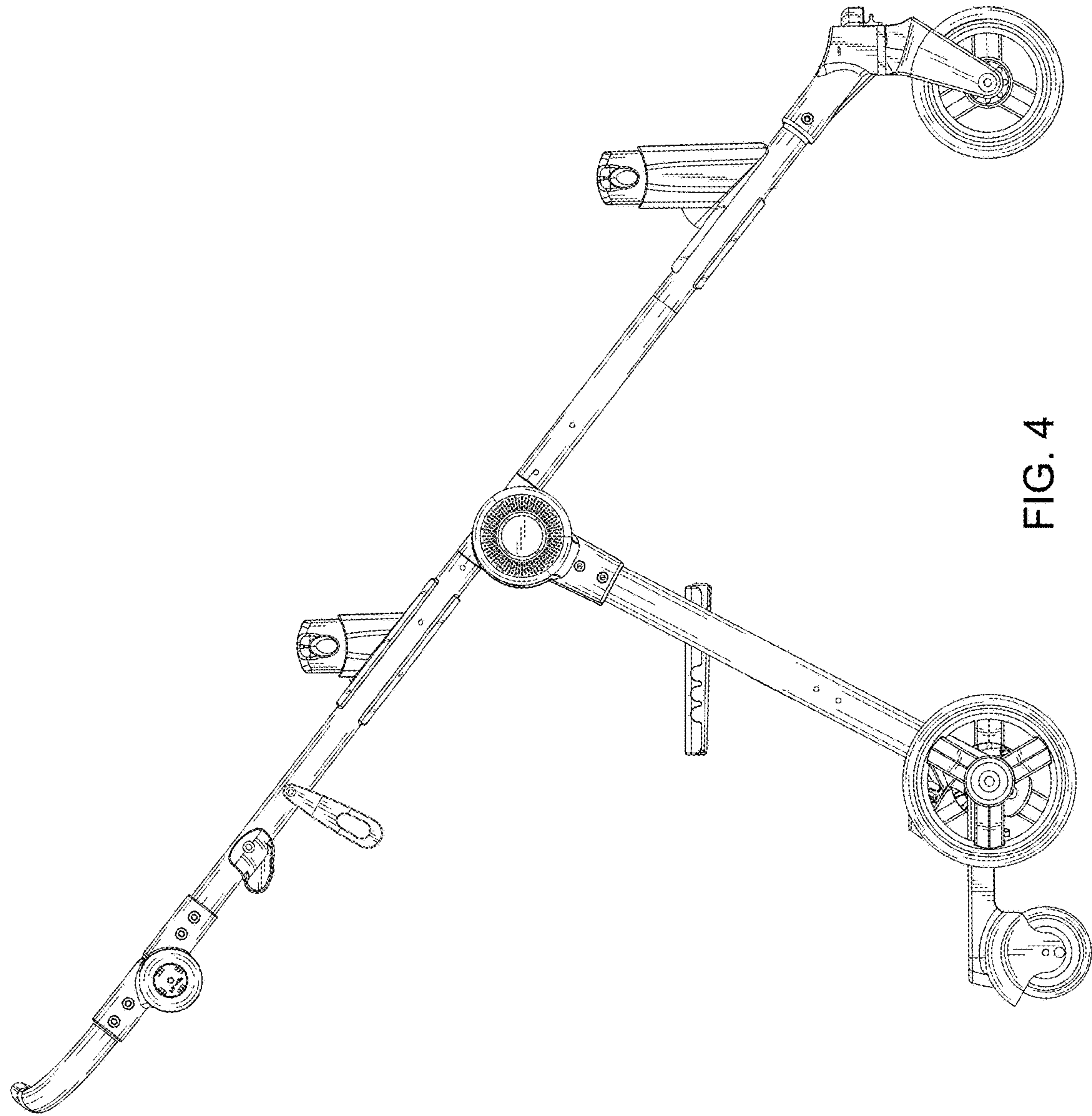


FIG. 4



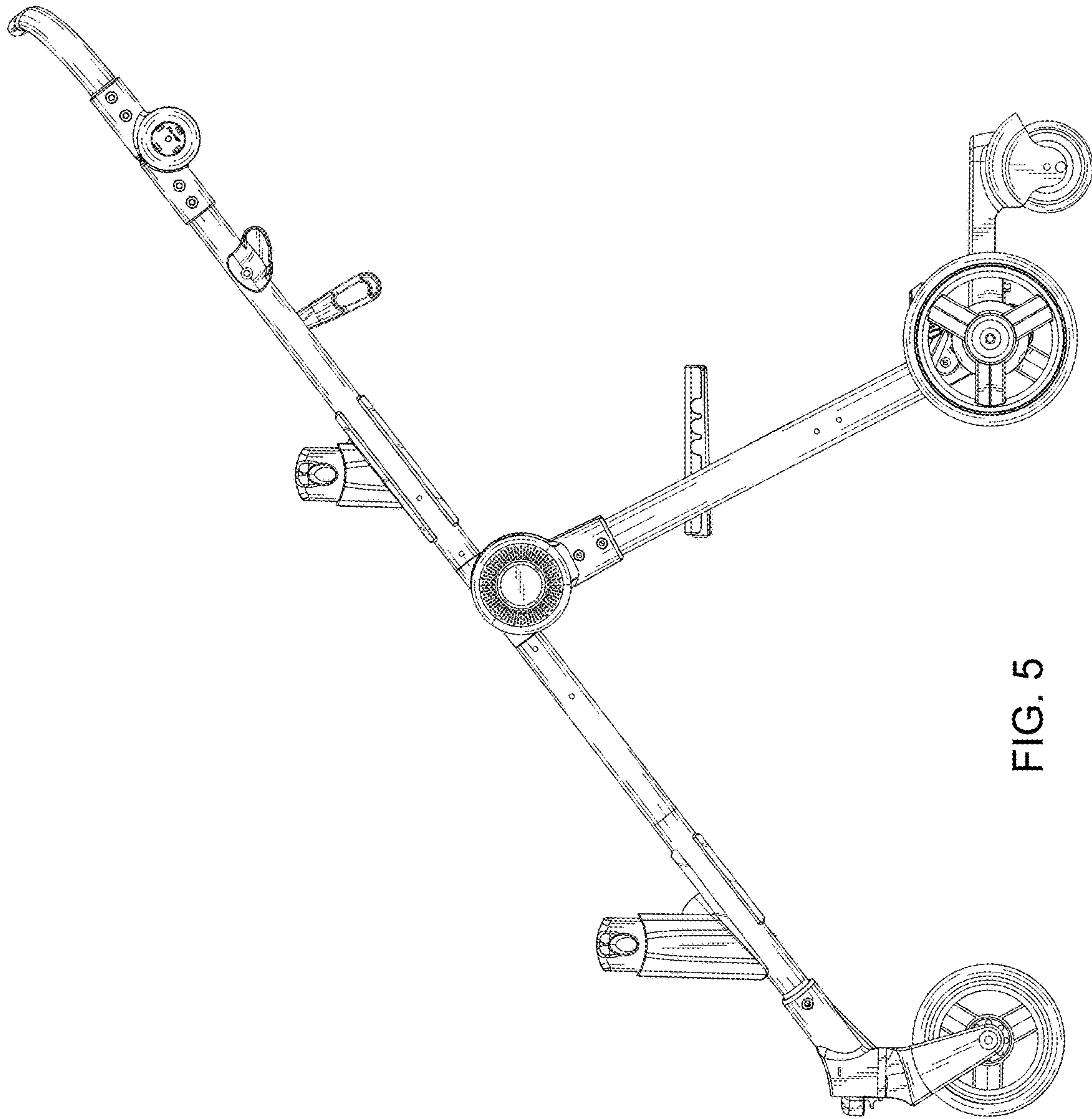


FIG. 5

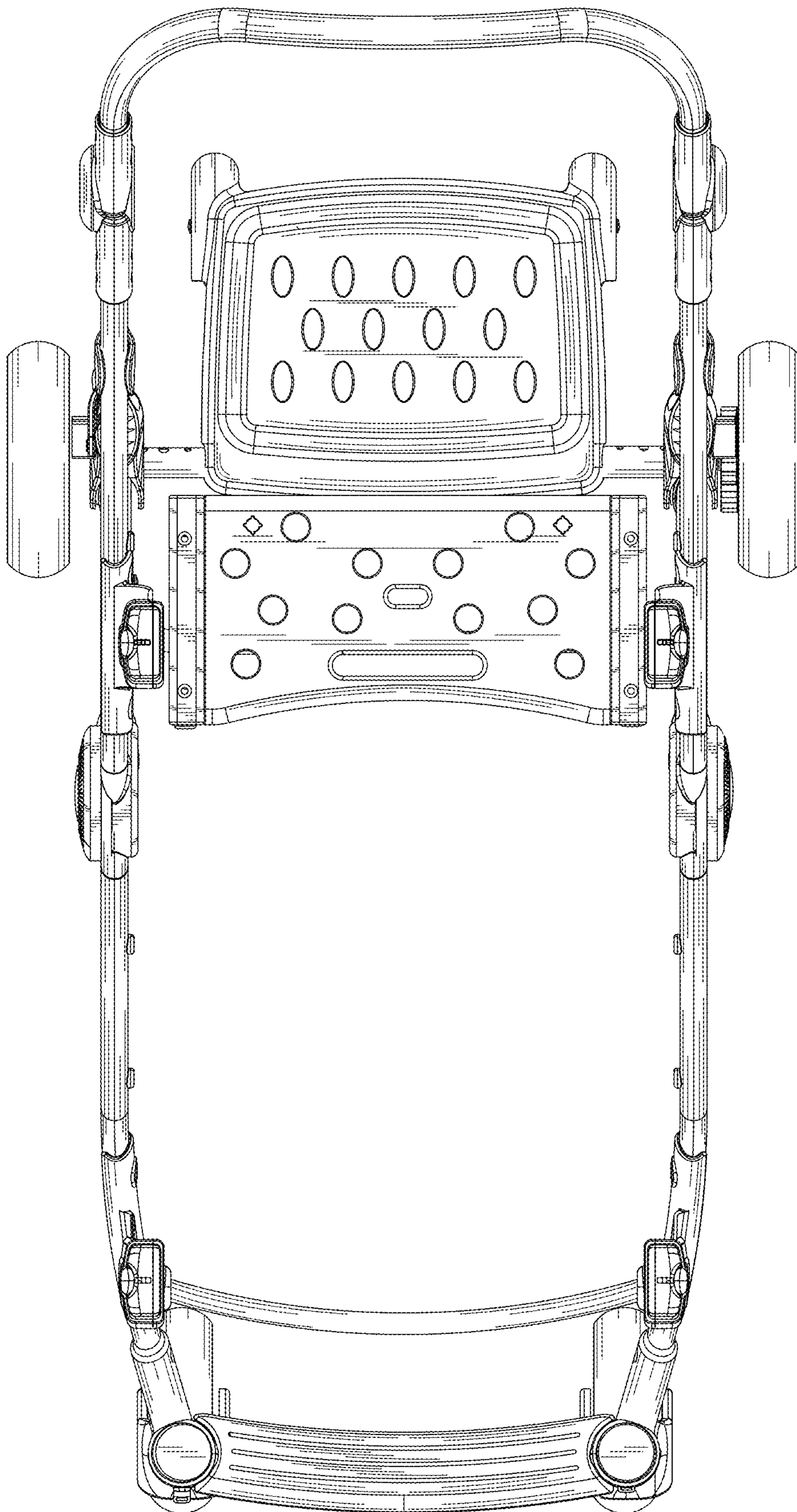


FIG. 6

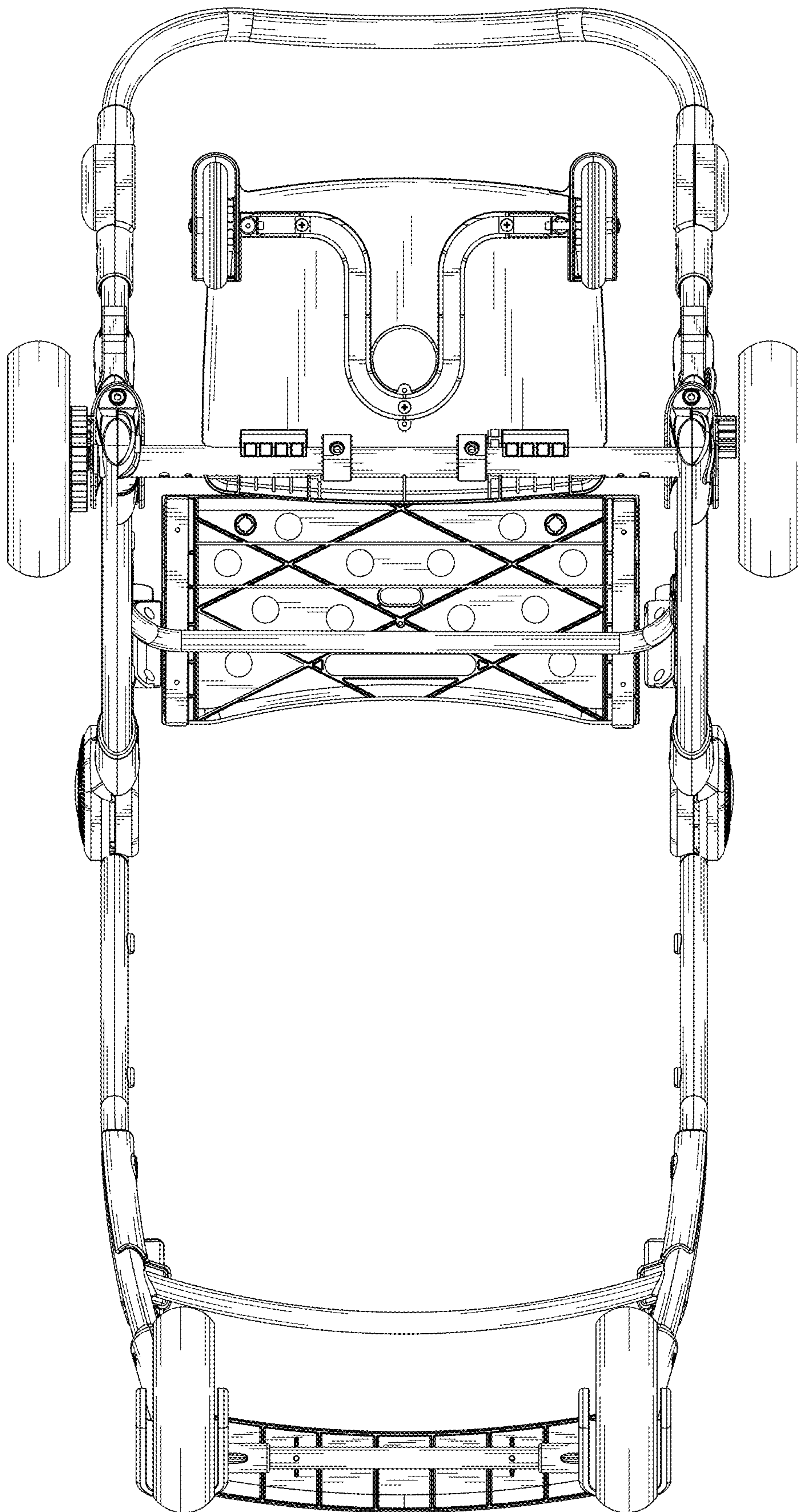


FIG. 7