



US00D780071S

(12) **United States Design Patent**
Teal et al.

(10) **Patent No.:** **US D780,071 S**
(45) **Date of Patent:** **** Feb. 28, 2017**

(54) **ELLIPTICAL BICYCLE FRAME**

(71) Applicant: **PT Motion Works, Inc.**, Solana Beach, CA (US)

(72) Inventors: **Brent C. Teal**, Solana Beach, CA (US);
Bryan L. Pate, Atherton, CA (US)

(73) Assignee: **PT Motion Works, Inc.**, Solana Beach, CA (US)

(**) Term: **15 Years**

(21) Appl. No.: **29/547,747**

(22) Filed: **Dec. 7, 2015**

(51) **LOC (10) Cl.** **12-11**

(52) **U.S. Cl.**
USPC **D12/111**

(58) **Field of Classification Search**
USPC D12/107, 111, 117; D21/663, 664, 665

(Continued)

(56) **References Cited**

U.S. PATENT DOCUMENTS

5,591,107 A * 1/1997 Rodgers, Jr. A63B 71/0622
482/51
6,439,590 B1 * 8/2002 Liang B62M 1/26
280/221

(Continued)

OTHER PUBLICATIONS

“Elliptigo Arc—The Lightest, Most Affordable Elliptical Bike.”
Elliptigo Brochure., Dec. 15, 2015 [online], [retrieved on Nov. 8,
2016]. Retrieved from the Internet <URL: http://shop.elliptigo.com/Arc-Bike?_ga=1.5270131.1945047047.1478621231>.*

(Continued)

Primary Examiner — Darlington Ly

(74) *Attorney, Agent, or Firm* — Procopio Cory
Hargreaves and Savitch LLP

(57) **CLAIM**

The ornamental design for an elliptical bicycle frame, as shown and described.

DESCRIPTION

FIG. 1 is a rear and left-side perspective view of an elliptical bicycle frame showing our new design in accordance to a first embodiment;

FIG. 2 is a front elevation view thereof;

FIG. 3 is a rear elevation view thereof;

FIG. 4 is a right-side elevation view thereof;

FIG. 5 is a left-side elevation view thereof;

FIG. 6 is a top plan view thereof;

FIG. 7 is a bottom plan view thereof; and,

FIG. 8 is a front and right-side perspective view thereof.

FIG. 9 is a rear and left-side perspective view of an elliptical bicycle frame showing our new design in accordance to a second embodiment;

FIG. 10 is a front elevation view thereof;

FIG. 11 is a rear elevation view thereof;

FIG. 12 is a right-side elevation view thereof;

FIG. 13 is a left-side elevation view thereof;

FIG. 14 is a top plan view thereof;

FIG. 15 is a bottom plan view thereof; and

FIG. 16 is a front and right-side perspective view thereof.

FIG. 17 is a rear and left-side perspective view of an elliptical bicycle frame showing our new design in accordance to a third embodiment;

FIG. 18 is a front elevation view thereof;

FIG. 19 is a rear elevation view thereof;

FIG. 20 is a right-side elevation view thereof;

FIG. 21 is a left-side elevation view thereof;

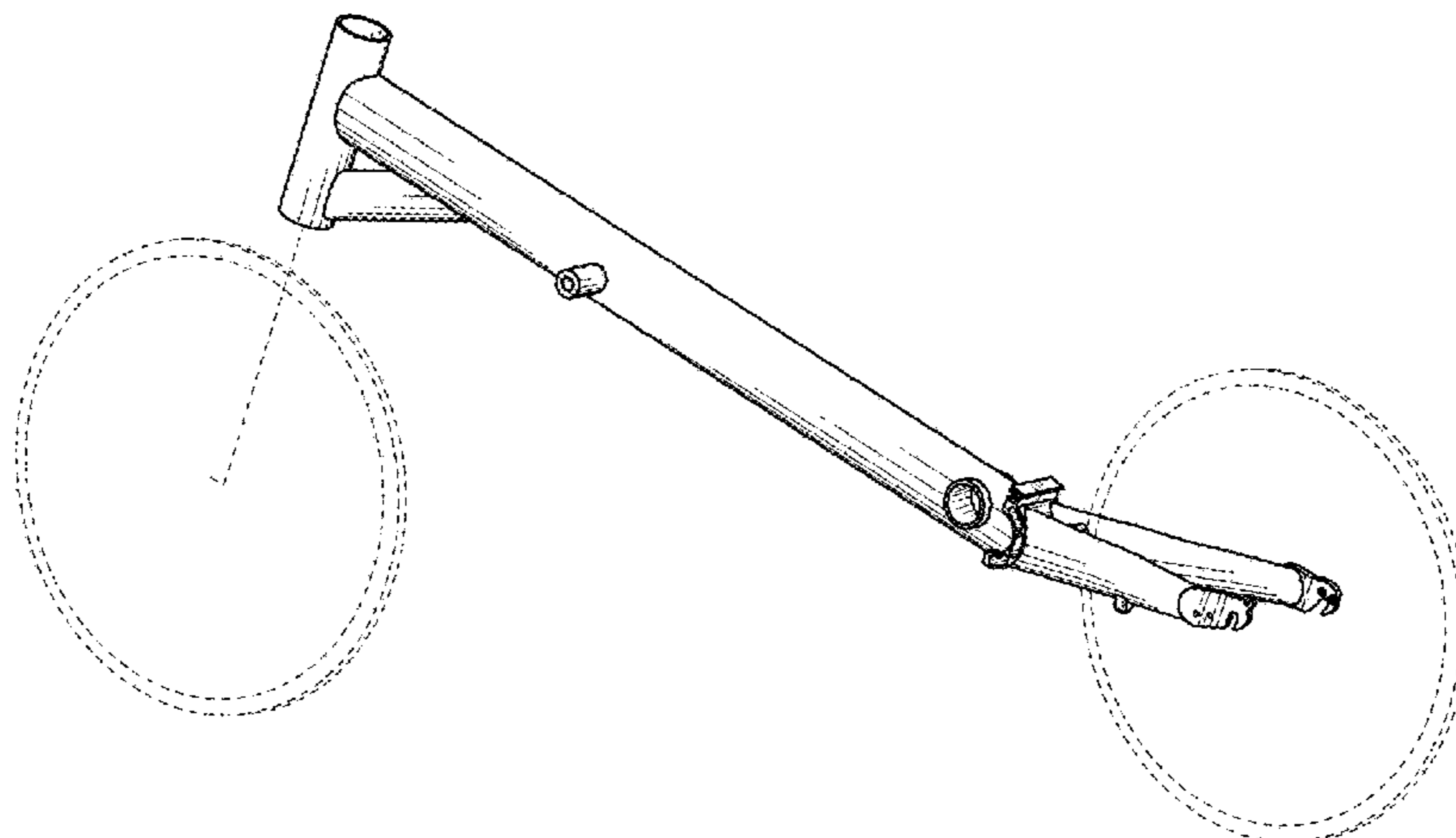
FIG. 22 is a top plan view thereof;

FIG. 23 is a bottom plan view thereof; and,

FIG. 24 is a front and right-side perspective view thereof.

The broken lines shown in FIGS. 1-24 are included for the purpose of illustrating environmental elements only and form no part of the claimed design.

1 Claim, 12 Drawing Sheets



(58) **Field of Classification Search**
 CPC B62K 3/002; B62K 5/02; B62M 1/26
 See application file for complete search history.

D738,790 S * 9/2015 Brewer D12/111
 D738,791 S * 9/2015 Brewer D12/111
 D738,792 S * 9/2015 Brewer D12/111
 2003/0193158 A1* 10/2003 Hung B62M 1/26
 280/221
 2008/0116655 A1* 5/2008 Pate B62M 1/26
 280/221
 2015/0367910 A1* 12/2015 Brewer B62M 1/26
 280/221
 2016/0046351 A1* 2/2016 Thomas B62M 1/26
 280/256

(56) **References Cited**
 U.S. PATENT DOCUMENTS

6,648,353 B1* 11/2003 Cabal B62M 1/26
 280/220
 D526,250 S * 8/2006 Trumble D12/111
 7,717,446 B2* 5/2010 Pate B62K 3/002
 280/220
 D633,416 S * 3/2011 Teal D12/111
 D633,827 S * 3/2011 Teal D12/111
 D638,485 S * 5/2011 Scolari D21/423
 D638,500 S * 5/2011 Scolari D21/423
 D645,792 S * 9/2011 Bai D12/111
 8,128,111 B2* 3/2012 Scolari B62M 1/26
 280/221
 8,162,337 B2* 4/2012 Teal B62K 3/002
 280/221
 D688,164 S * 8/2013 Calderon D12/111
 D696,984 S * 1/2014 Haupt D12/111
 8,944,452 B1* 2/2015 Scolari B62K 3/002
 280/221
 D731,930 S * 6/2015 Forrellad D12/110
 D737,727 S * 9/2015 Brewer D12/111
 D737,728 S * 9/2015 Brewer D12/111
 D738,262 S * 9/2015 Brewer D12/111

OTHER PUBLICATIONS

Bri M. "Zike Z600 Wingflyer Scooter Review." Balance Bikes & Reviews., Jan. 25, 2015 [online], [retrieved on Nov. 8, 2016]. Retrieved from the Internet <URL: <http://balancebikesandreviews.com/zike-z600-wingflyer-scooter-review/>>.*
 Ridden, Paul. "New ElliptiGO 3C 'running on air' bike released." New Atlas., May 27, 2011 [online], [retrieved on Nov. 8, 2016]. Retrieved from the Internet <URL: <http://newatlas.com/elliptigo-announces-new-3c-elliptical-bike/18736/>>.*
 "Elliptical Bicycle." Toxel., Aug. 2, 2011 [online], [retrieved on Nov. 8, 2016]. Retrieved from the Internet <URL: <http://www.toxel.com/tech/2010/08/02/elliptical-bicycle/>>.*
 Trials Bike, [online], 2011, [search on May 3, 2016, Internet <URL: <http://ep4.pinkbike.org/p3pb7074238/p3pb7074238.jpg>> in 1 page.

* cited by examiner

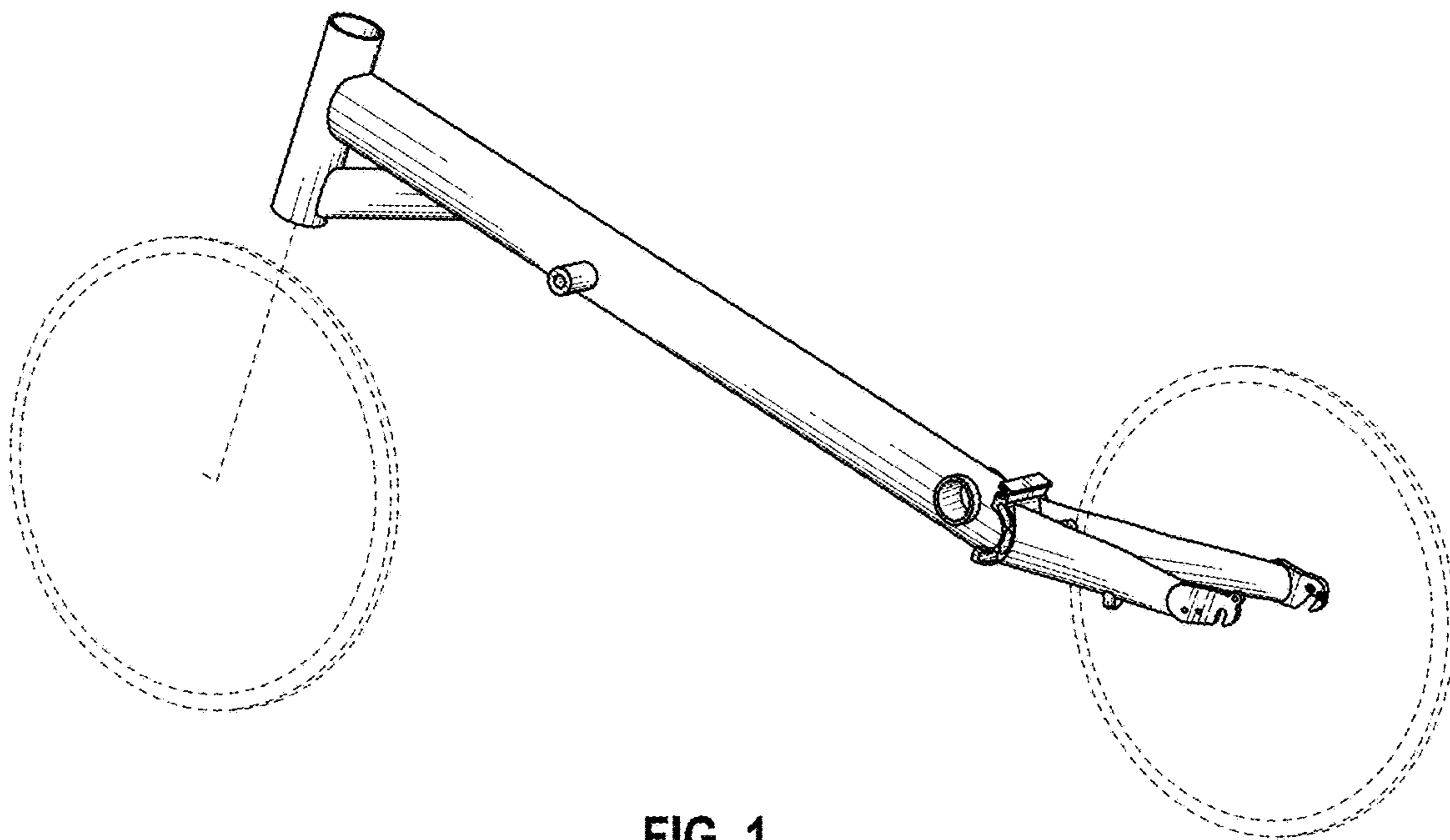


FIG. 1

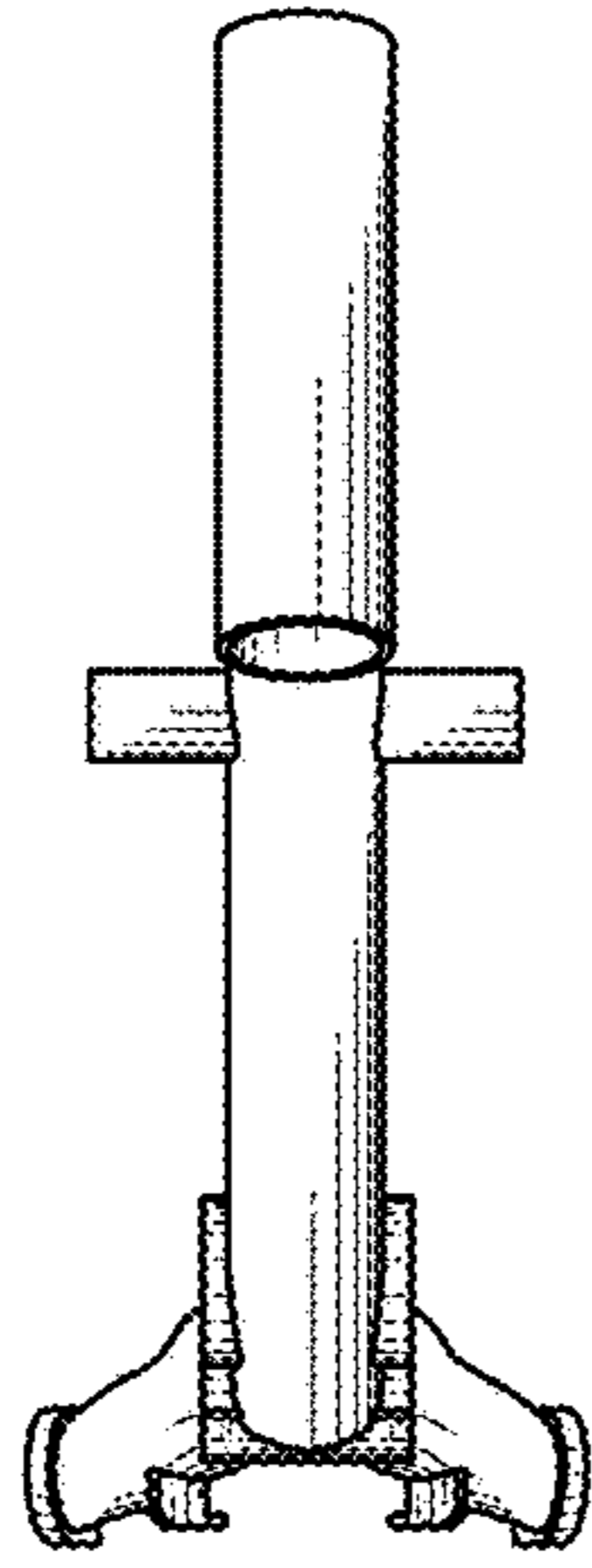


FIG. 2

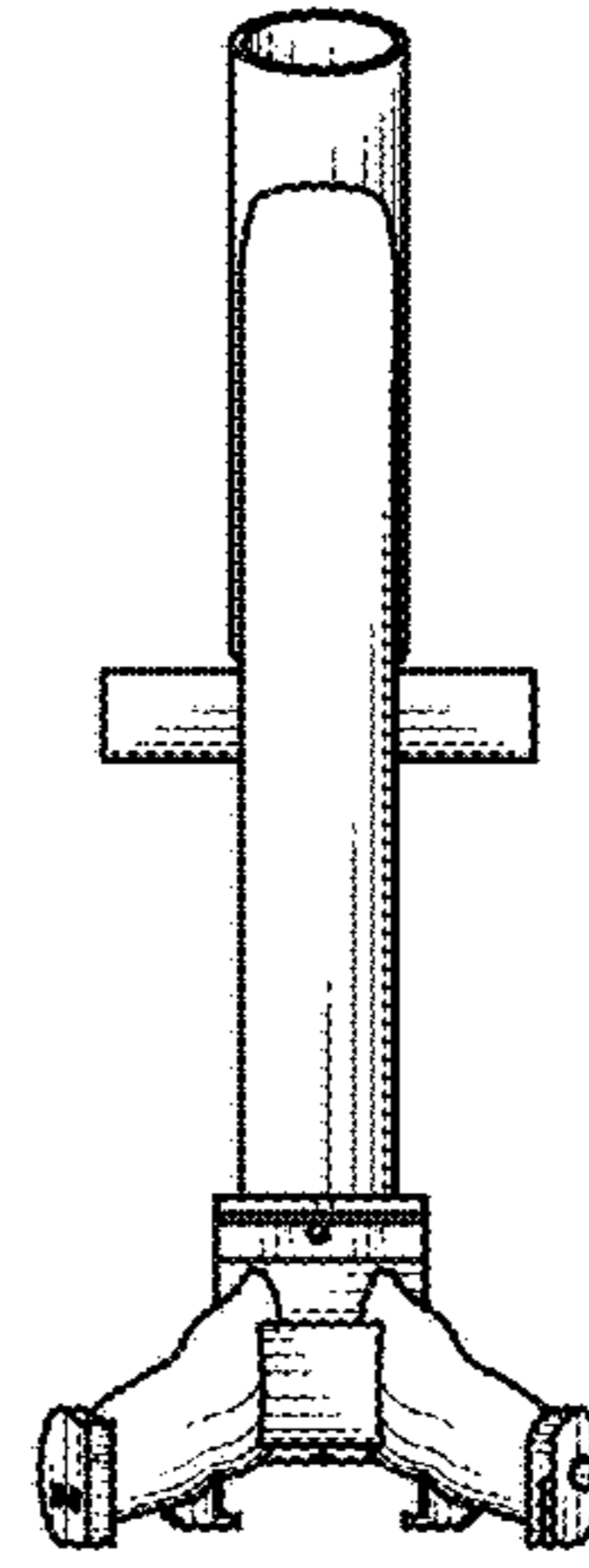


FIG. 3

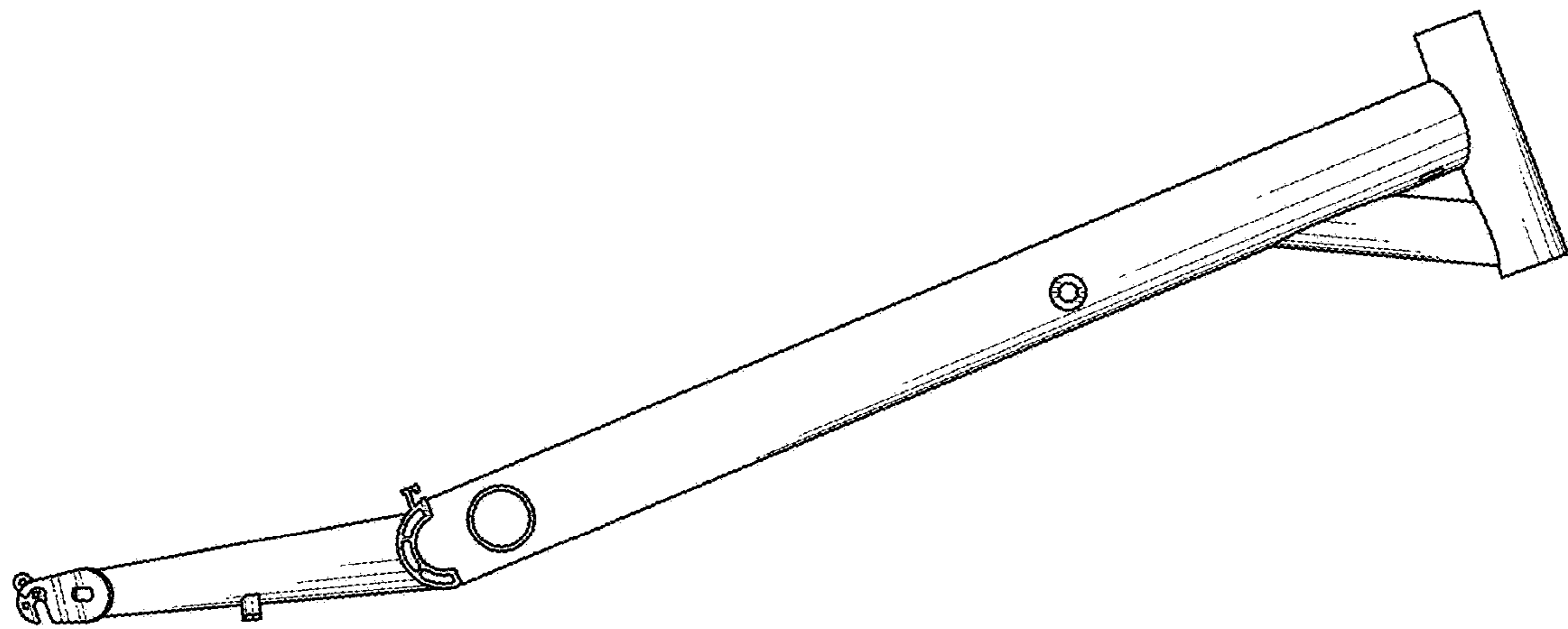


FIG. 4

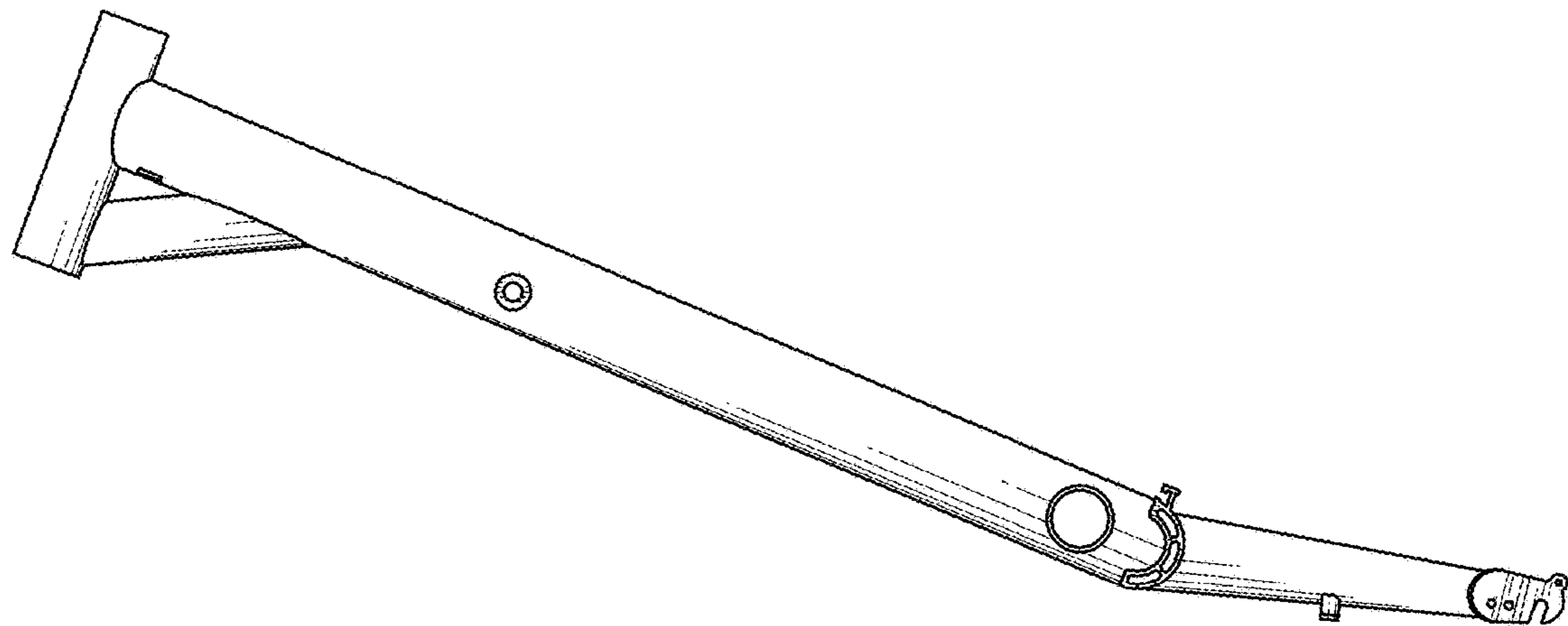


FIG. 5

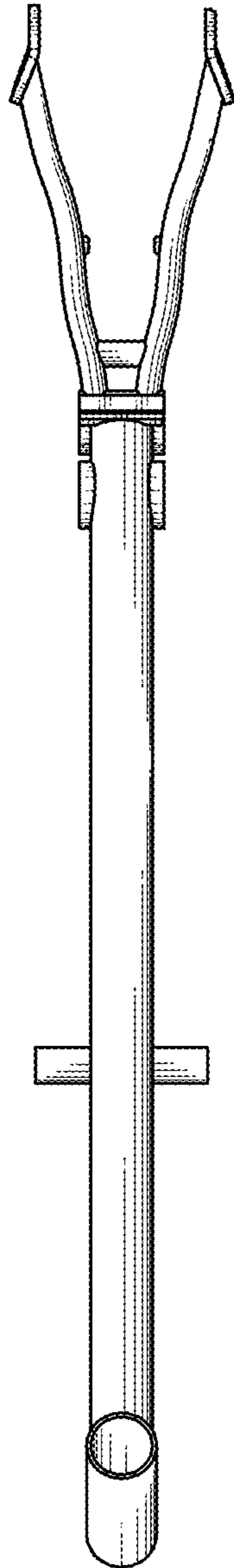


FIG. 6

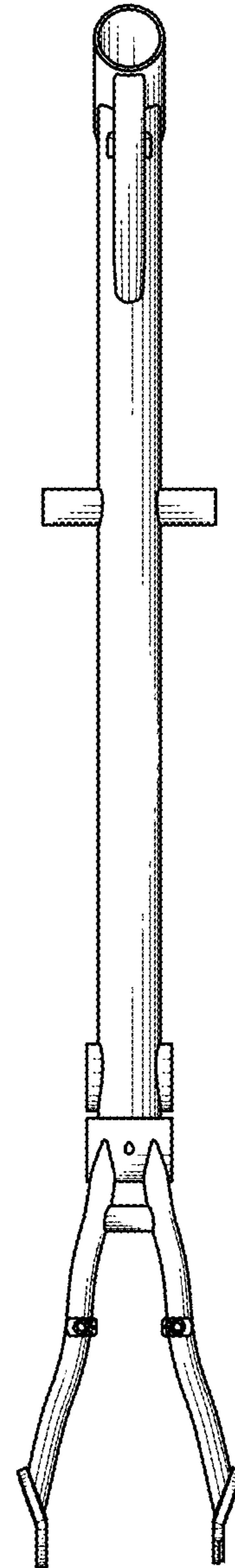


FIG. 7

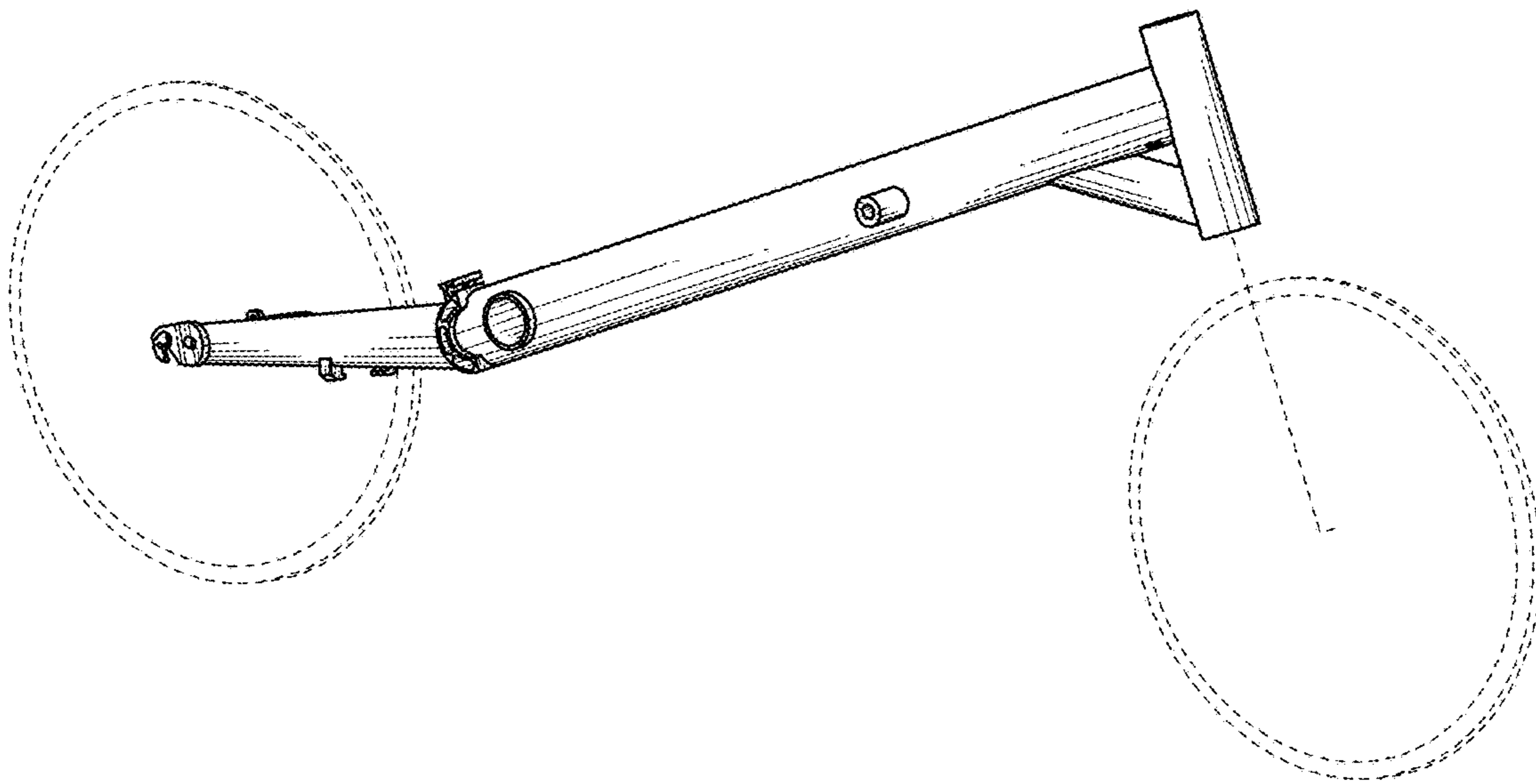


FIG. 8

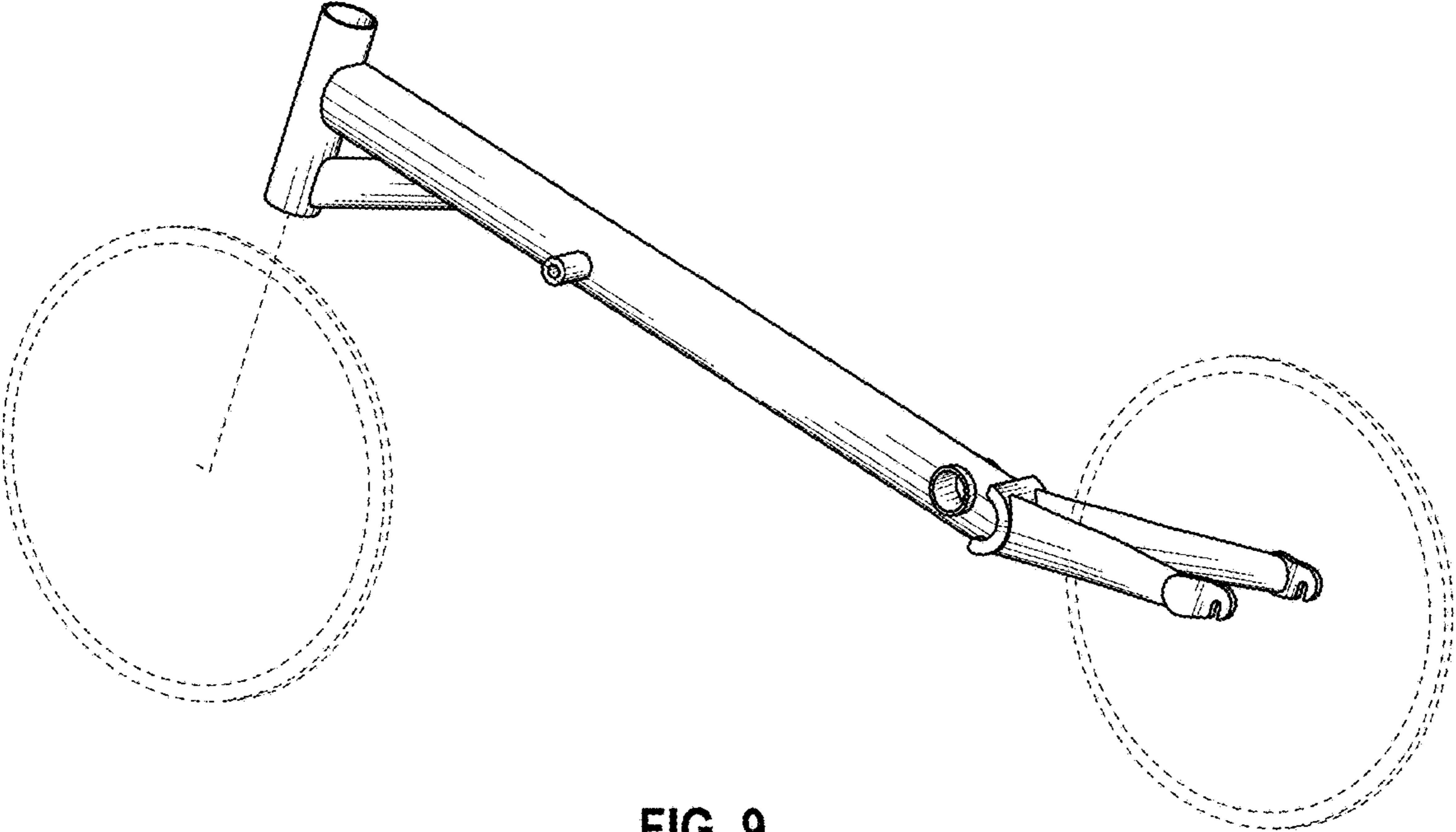


FIG. 9

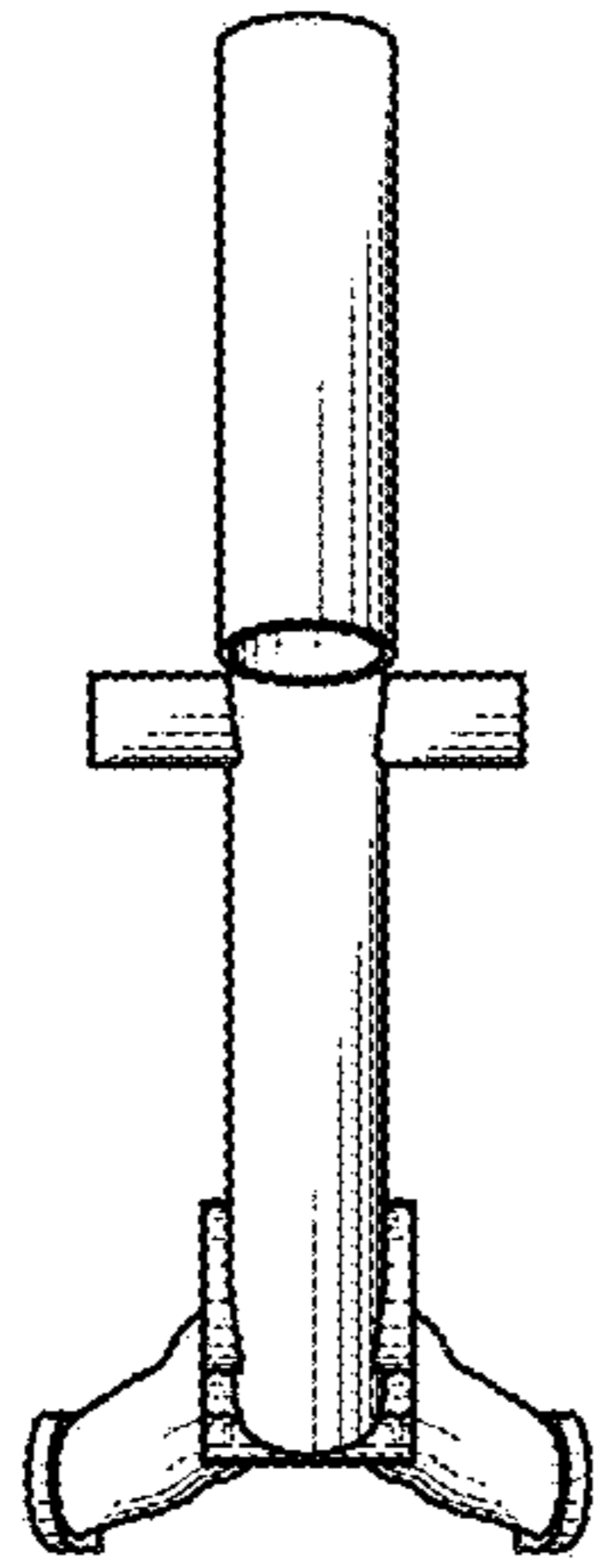


FIG. 10

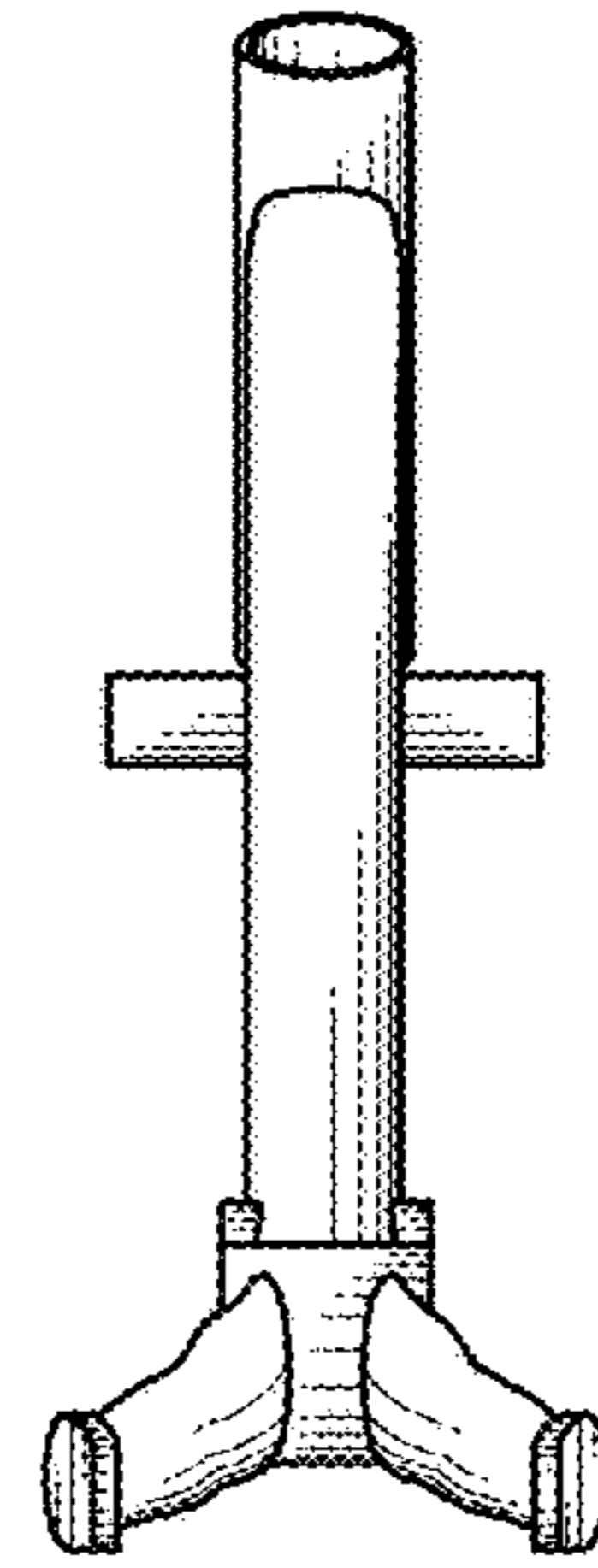


FIG. 11

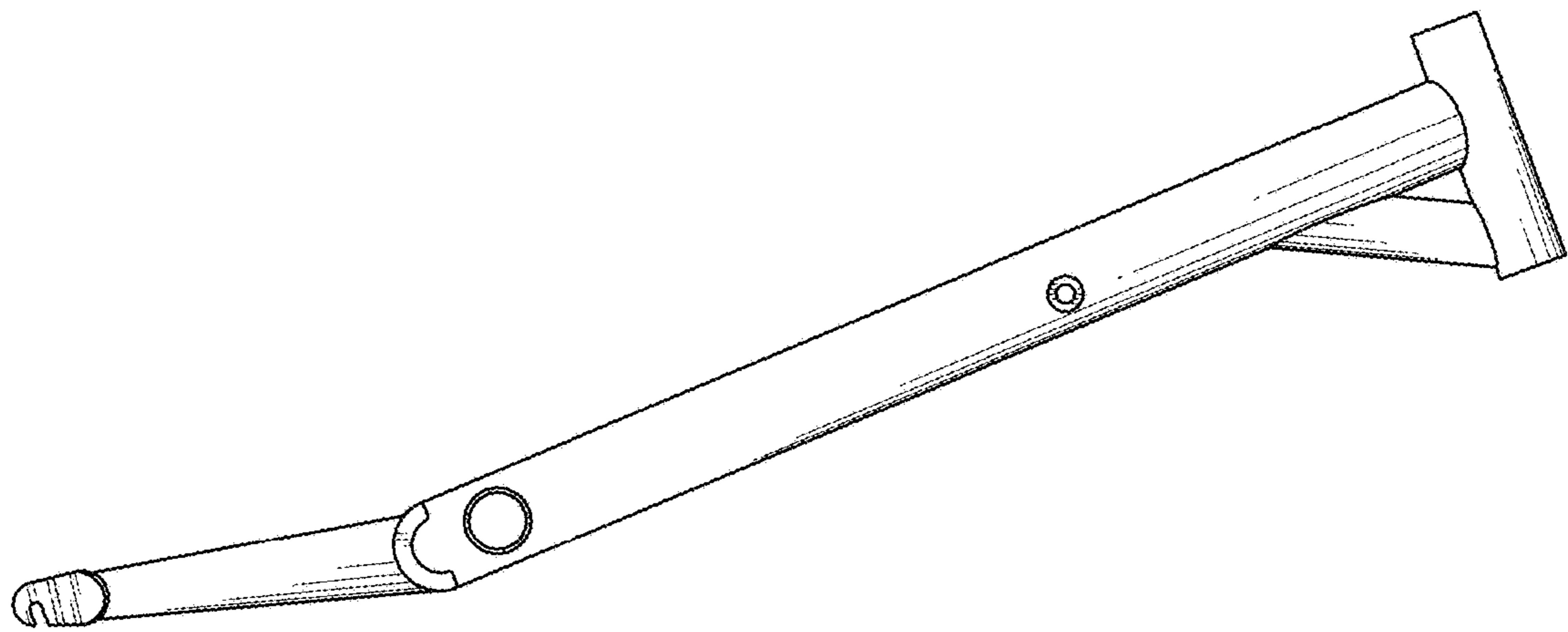


FIG. 12

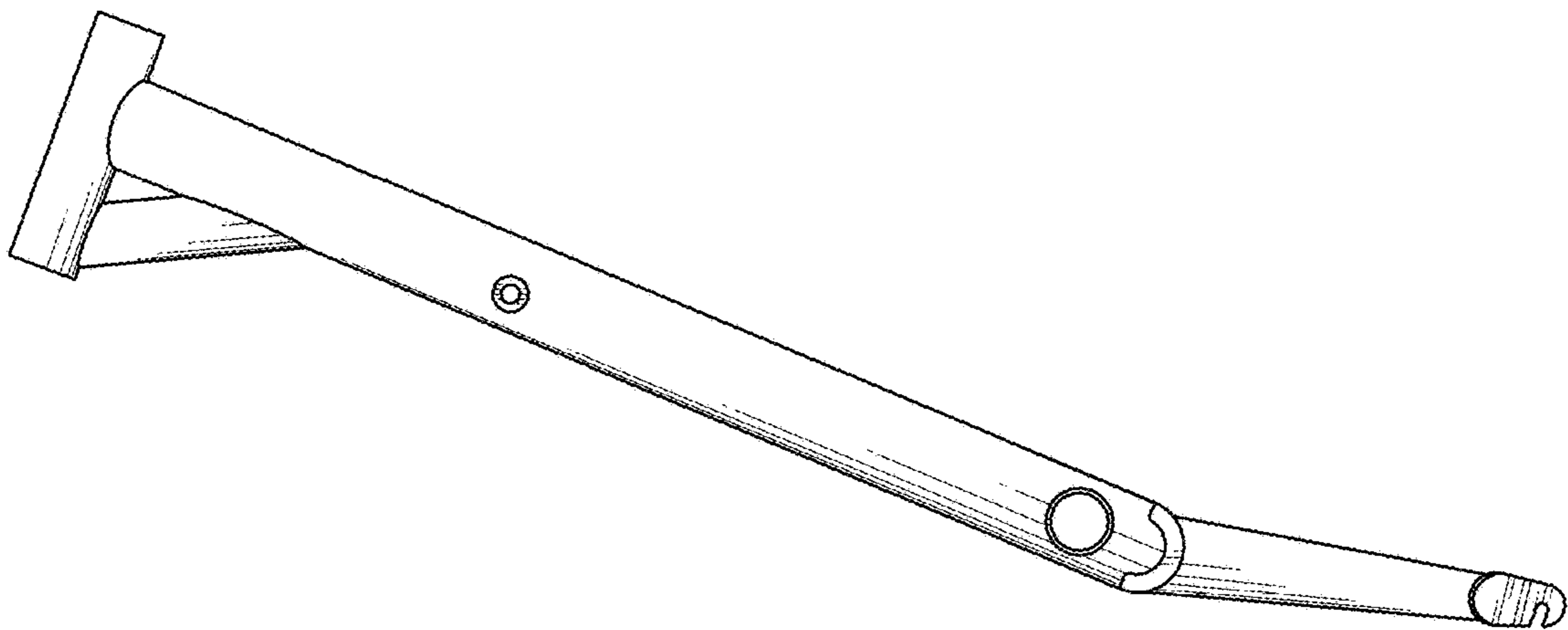


FIG. 13

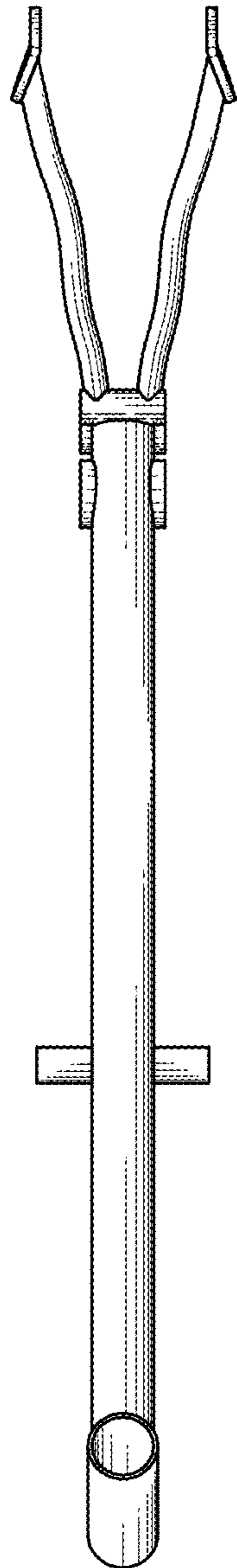


FIG. 14

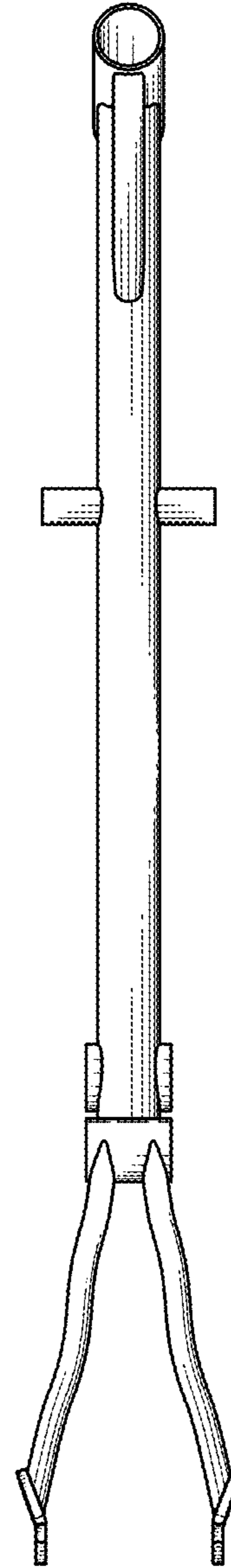


FIG. 15

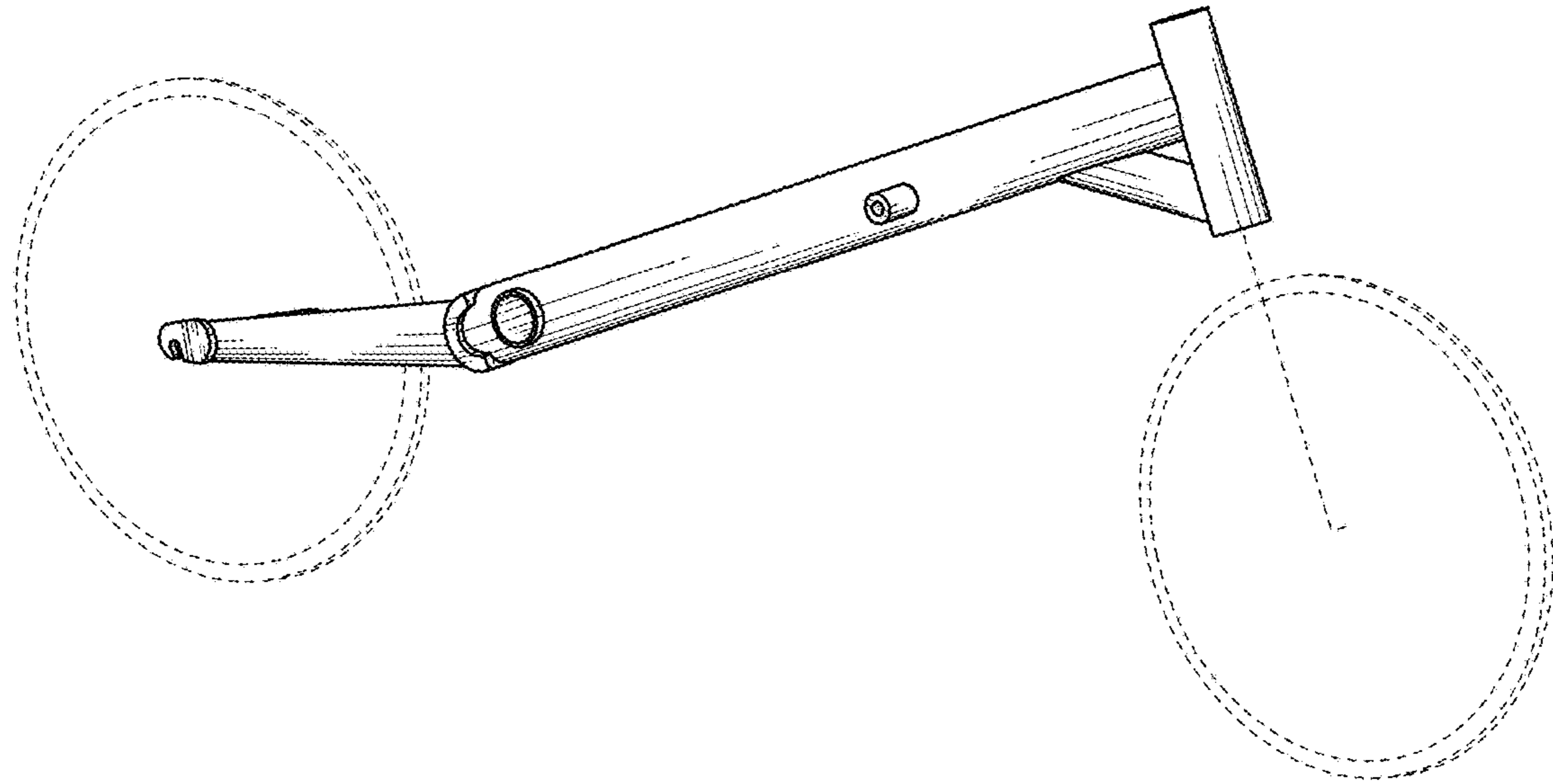


FIG. 16

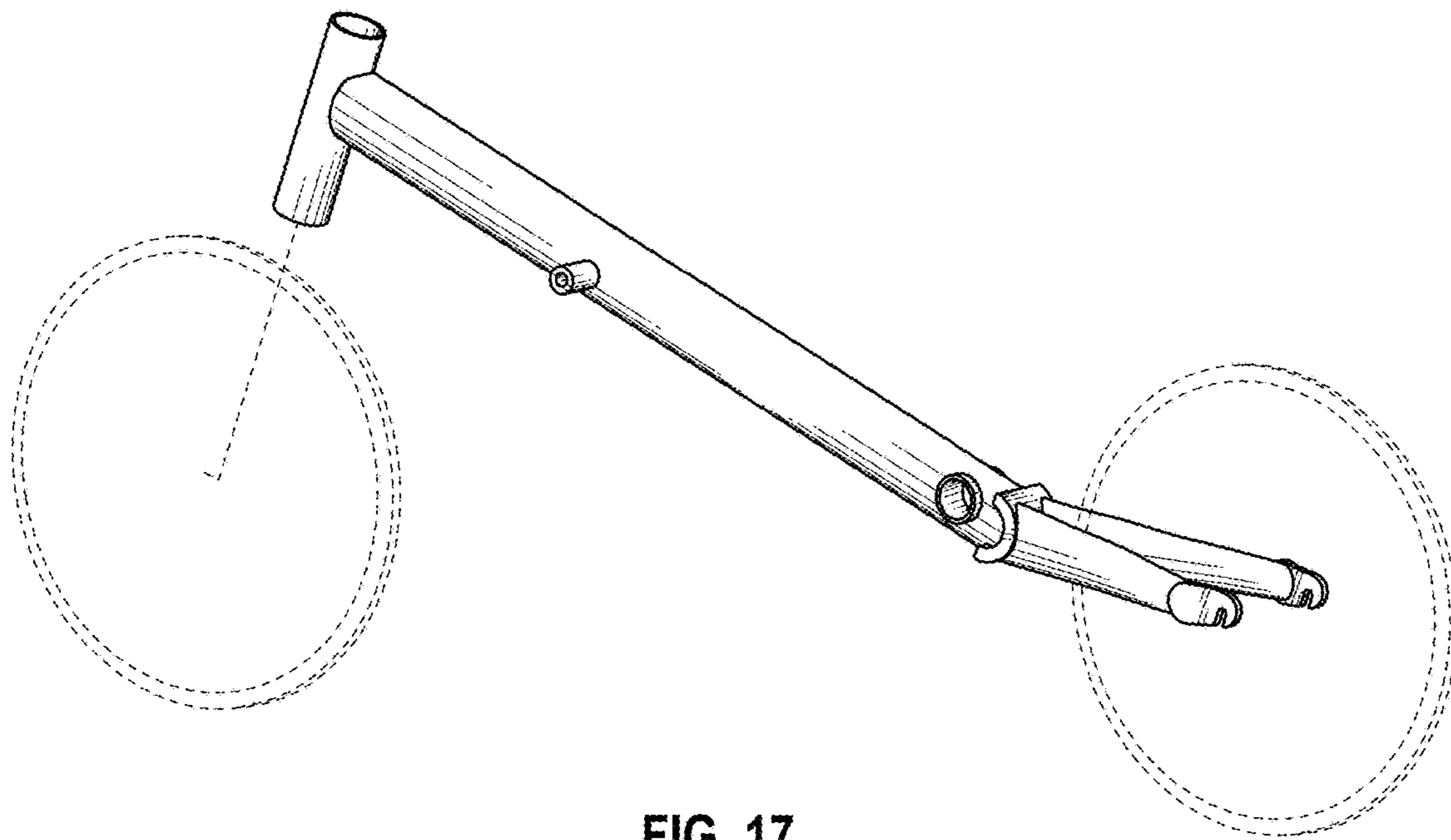


FIG. 17

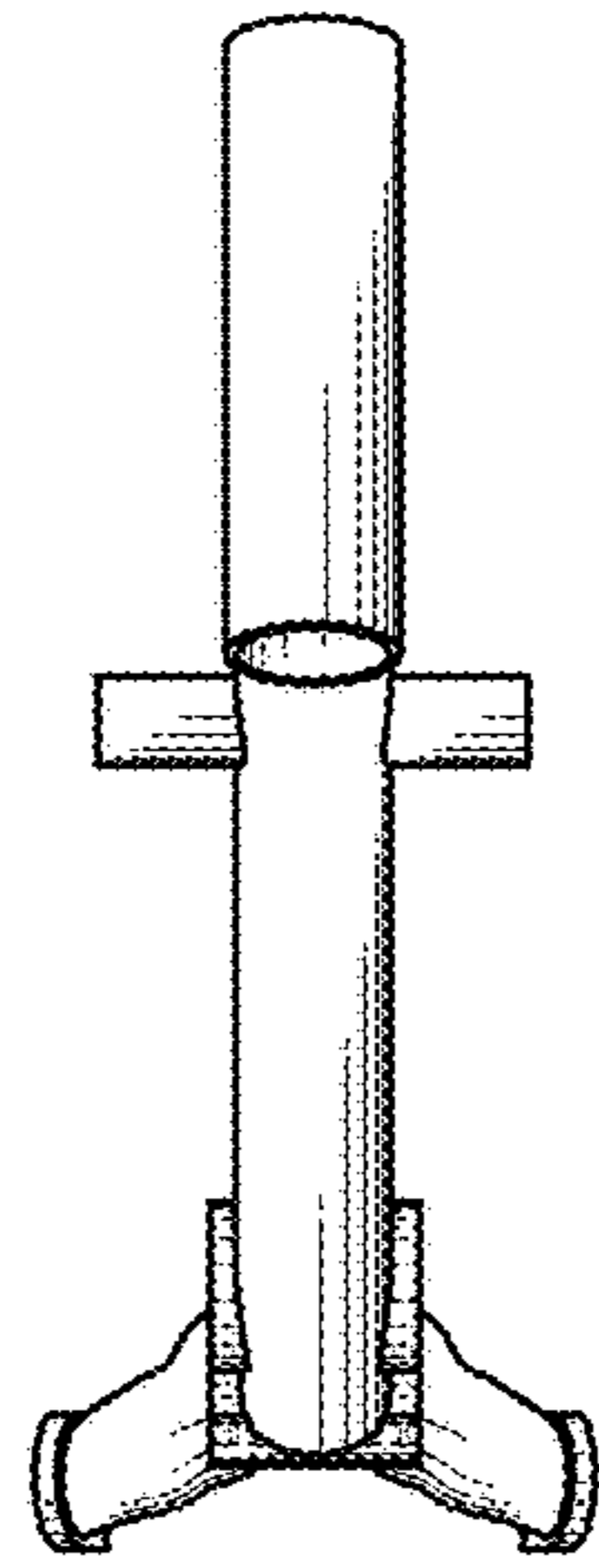


FIG. 18

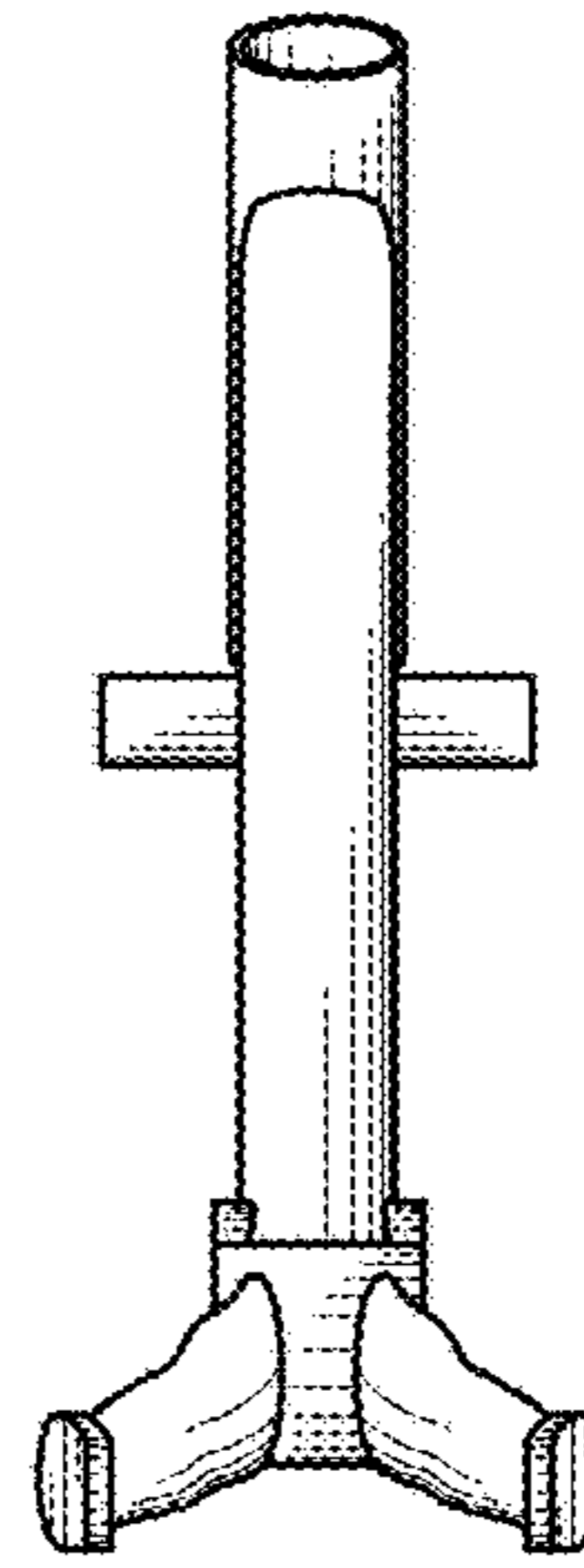


FIG. 19

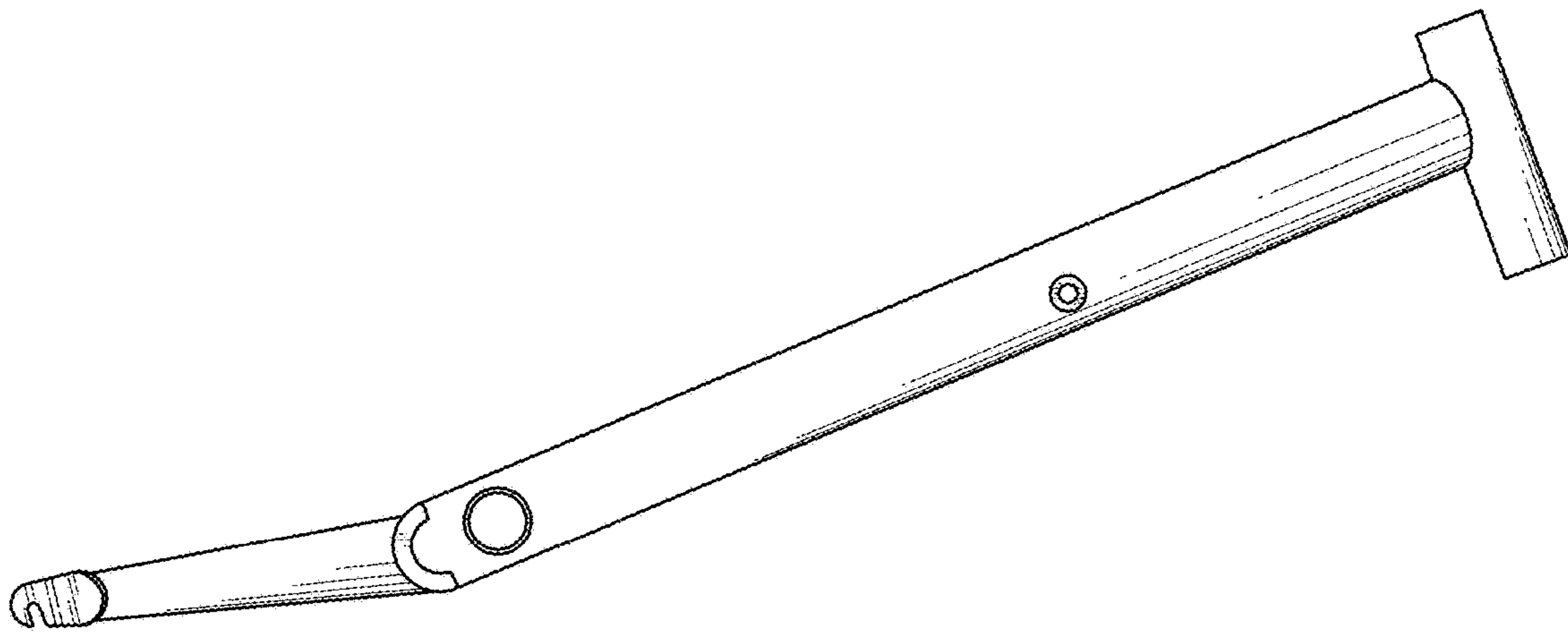


FIG. 20

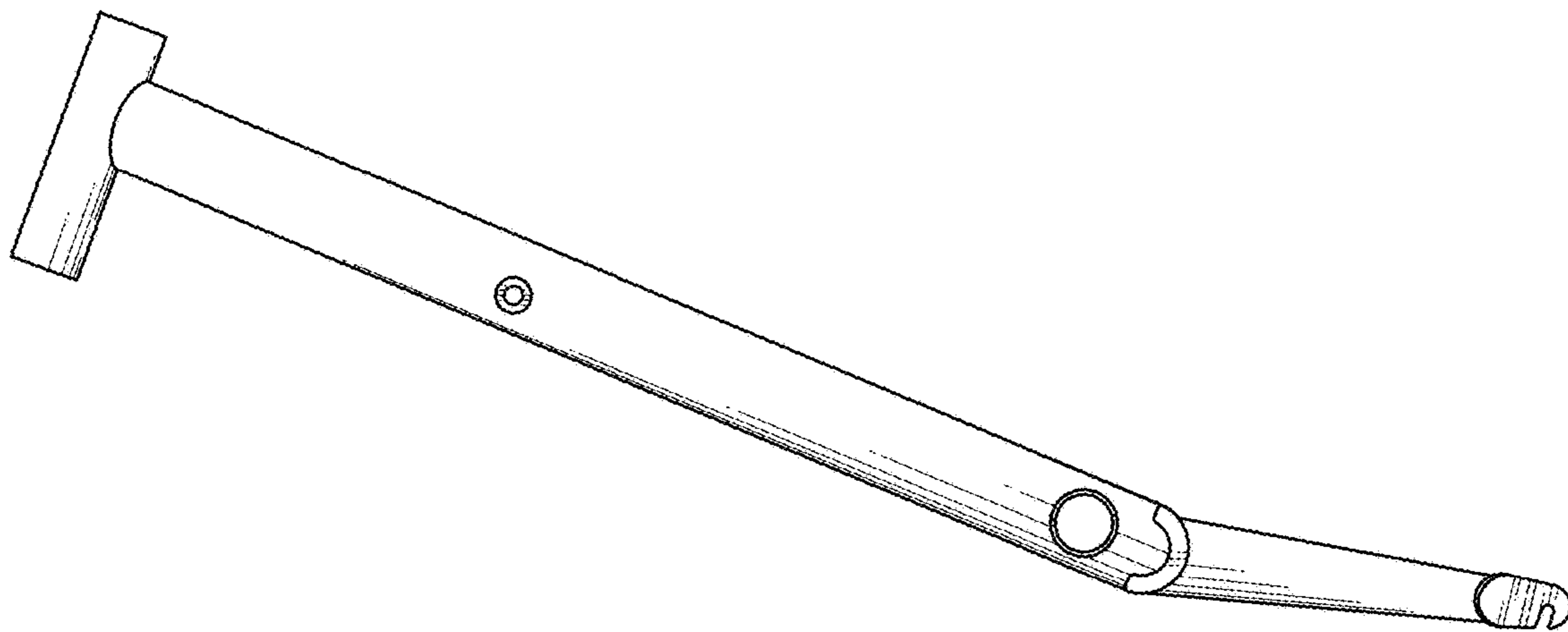


FIG. 21

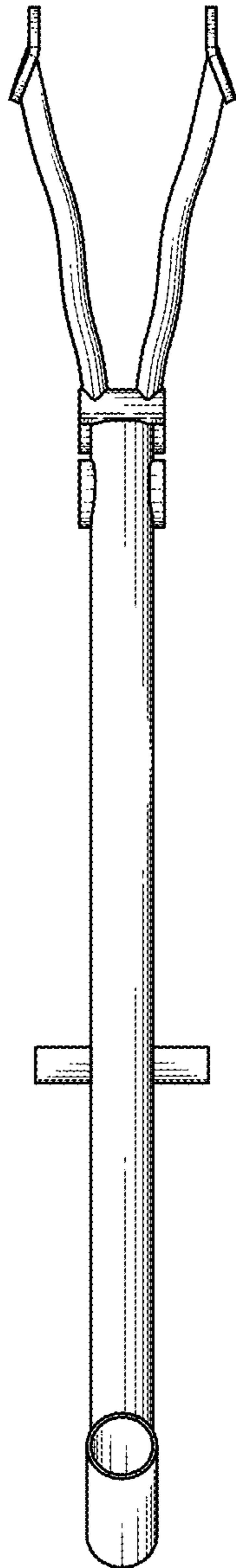


FIG. 22

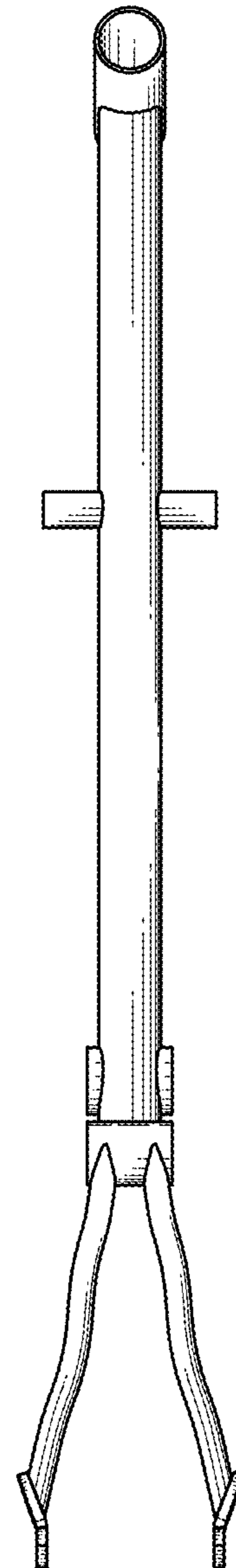


FIG. 23

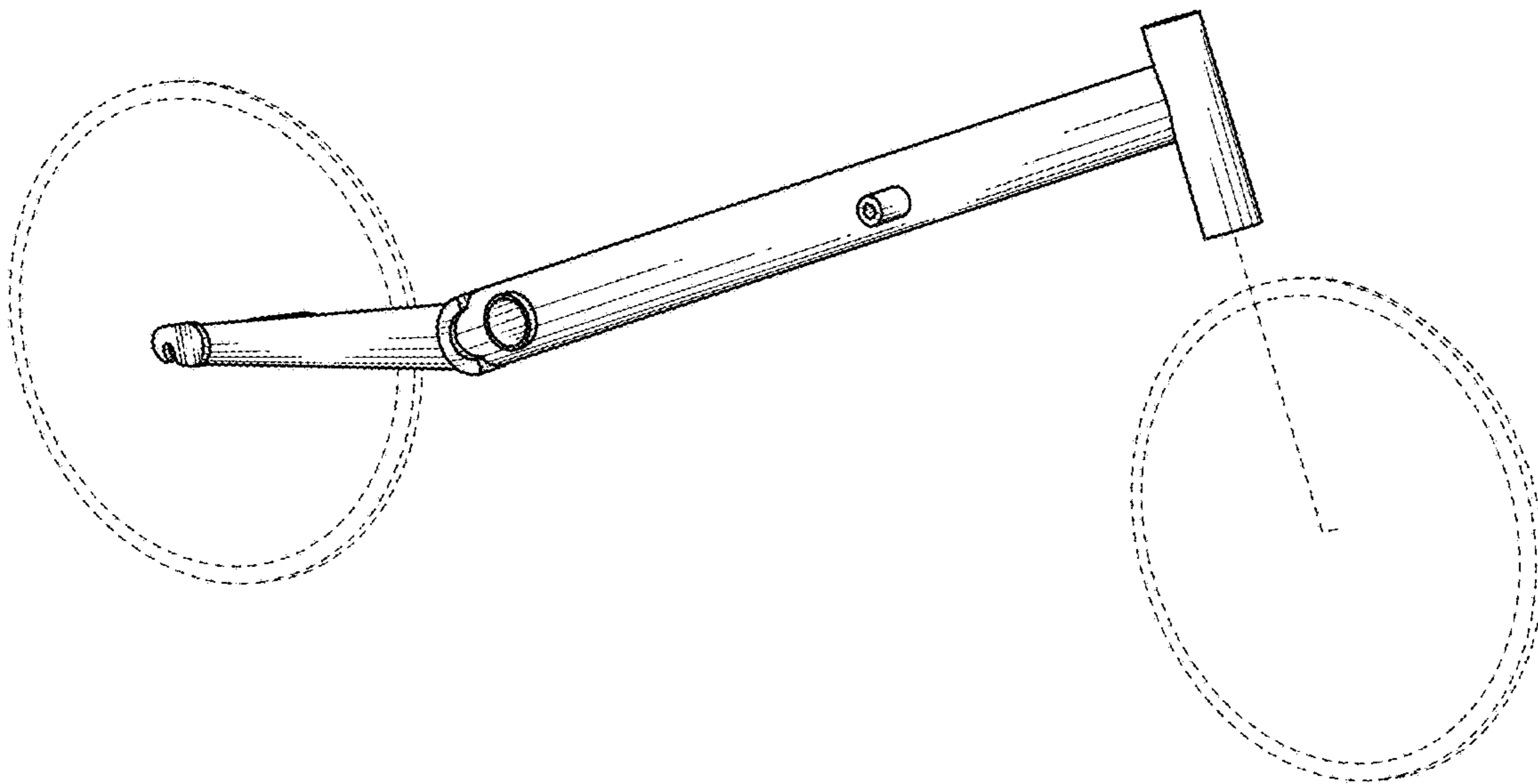


FIG. 24