



US00D780068S

(12) **United States Design Patent** (10) **Patent No.:** **US D780,068 S**  
**Whitla et al.** (45) **Date of Patent:** **\*\* Feb. 28, 2017**

(54) **VEHICLE BODY EXTERIOR**  
(71) Applicant: **GM GLOBAL TECHNOLOGY OPERATIONS LLC**, Detroit, MI (US)  
(72) Inventors: **Guy W. Whitla**, Rochester Hills, MI (US); **Takahiko Suginoshita**, Rochester Hills, MI (US); **Ramesh R. Gound**, Troy, MI (US)  
(73) Assignee: **GM Global Technology Operations LLC**, Detroit, MI (US)  
(\*\*) Term: **15 Years**

D605,977 S 12/2009 Zipfel et al.  
D605,978 S 12/2009 Wolff et al.  
D608,249 S 1/2010 Peters  
D608,690 S 1/2010 Folden et al.  
D608,691 S 1/2010 Zak, Jr. et al.  
D609,608 S 2/2010 Boniface et al.  
D611,387 S 3/2010 Thompson et al.  
D611,879 S 3/2010 Kim et al.  
D612,297 S 3/2010 Peters et al.  
D613,645 S 4/2010 Song et al.  
D615,458 S 5/2010 Thompson et al.  
D618,595 S 6/2010 Ware et al.  
D623,090 S 9/2010 Cox et al.  
D627,262 S 11/2010 Ikeda et al.  
D635,488 S 4/2011 Phipps  
D644,147 S 8/2011 Suh et al.  
D644,567 S 9/2011 Kozub  
D657,718 S 4/2012 Zipfel et al.  
D659,052 S 5/2012 Ware et al.

(21) Appl. No.: **29/537,314**  
(22) Filed: **Aug. 25, 2015**  
(51) **LOC (10) Cl.** ..... **12-08**  
(52) **U.S. Cl.**  
USPC ..... **D12/92**  
(58) **Field of Classification Search**  
USPC ..... D12/86, 90-92; D21/421, 433, 434;  
296/181.1, 181.5  
CPC ..... B62D 35/00; B62D 25/00; B62D 25/06;  
B62D 33/00  
See application file for complete search history.

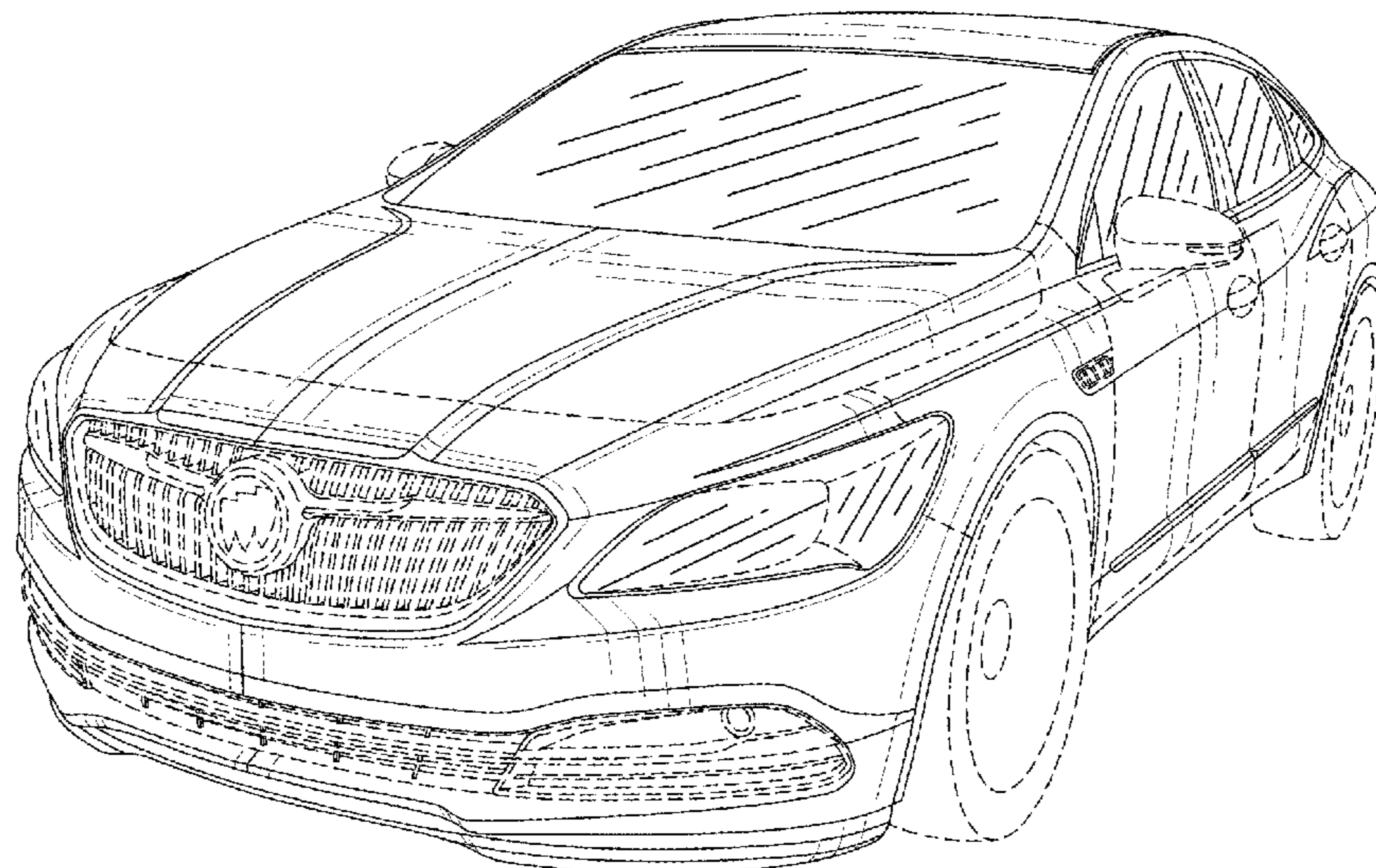
(Continued)  
*Primary Examiner* — Melody N Brown  
(74) *Attorney, Agent, or Firm* — Reising Ethington P.C.

(56) **References Cited**  
U.S. PATENT DOCUMENTS  
D570,742 S 6/2008 Takagi et al.  
D592,105 S 5/2009 Dean et al.  
D597,447 S 8/2009 Folden  
D600,595 S 9/2009 Nakamura et al.  
D601,925 S 10/2009 O'Donnell  
D603,755 S 11/2009 Peters  
D604,203 S 11/2009 O'Donnell  
D605,082 S 12/2009 Munson  
D605,083 S 12/2009 Manoogian, II et al.

(57) **CLAIM**  
The ornamental design for a vehicle body exterior, as shown and described.

**DESCRIPTION**  
FIG. 1 is a front view of the vehicle body exterior; FIG. 2 is a front and left side perspective view thereof; FIG. 3 is a left side elevational view, the right side is substantially a mirror image thereof; FIG. 4 is a top plan view thereof; FIG. 5 is a rear and left side perspective view thereof; and, FIG. 6 is a rear view thereof.  
The broken lines shown in the drawings depict portions of the vehicle body exterior that form no part of the claimed design.

**1 Claim, 6 Drawing Sheets**



(56)

**References Cited**

U.S. PATENT DOCUMENTS

D659,053 S	5/2012	Ware et al.	D713,764 S	9/2014	Ferlazzo et al.	
D668,182 S	10/2012	Barba Franco	D716,696 S	11/2014	Thole et al.	
D668,183 S	10/2012	Smart	D716,706 S	11/2014	Thole et al.	
D678,820 S	3/2013	Son et al.	D716,709 S	11/2014	Thole et al.	
D678,821 S	3/2013	Ikeda et al.	D717,696 S	11/2014	Thole et al.	
D680,909 S	4/2013	Munson et al.	D718,189 S	11/2014	Krieg et al.	
D680,910 S	4/2013	David	D718,683 S	12/2014	Thole et al.	
D684,899 S	6/2013	Baker	D722,282 S	2/2015	Loeb	
D686,536 S	7/2013	McCabe et al.	D722,533 S	2/2015	Thole et al.	
D692,798 S	11/2013	Thurber	D722,534 S	2/2015	Munson et al.	
D692,799 S	11/2013	Smith et al.	D724,510 S	3/2015	McMahan et al.	
D696,157 S	12/2013	Loeb	D725,001 S	3/2015	McMahan et al.	
D699,629 S	2/2014	Ikeda et al.	D726,073 S *	4/2015	Kim .....	D12/92
D700,871 S	3/2014	O'Donnell et al.	D728,427 S *	5/2015	Kim .....	D12/92
D703,103 S	4/2014	Lee	D730,428 S *	5/2015	Kim .....	D12/92
D704,103 S	5/2014	Mack et al.	D730,776 S	6/2015	Smart	
D705,132 S	5/2014	Ware et al.	D730,783 S	6/2015	Henriques et al.	
D705,699 S	5/2014	Ware et al.	D732,435 S	6/2015	Mackay	
D713,298 S	9/2014	Dyson	D735,627 S	8/2015	Smith	
			D736,451 S	8/2015	Smith	
			D764,352 S *	8/2016	Pires .....	D12/92

\* cited by examiner

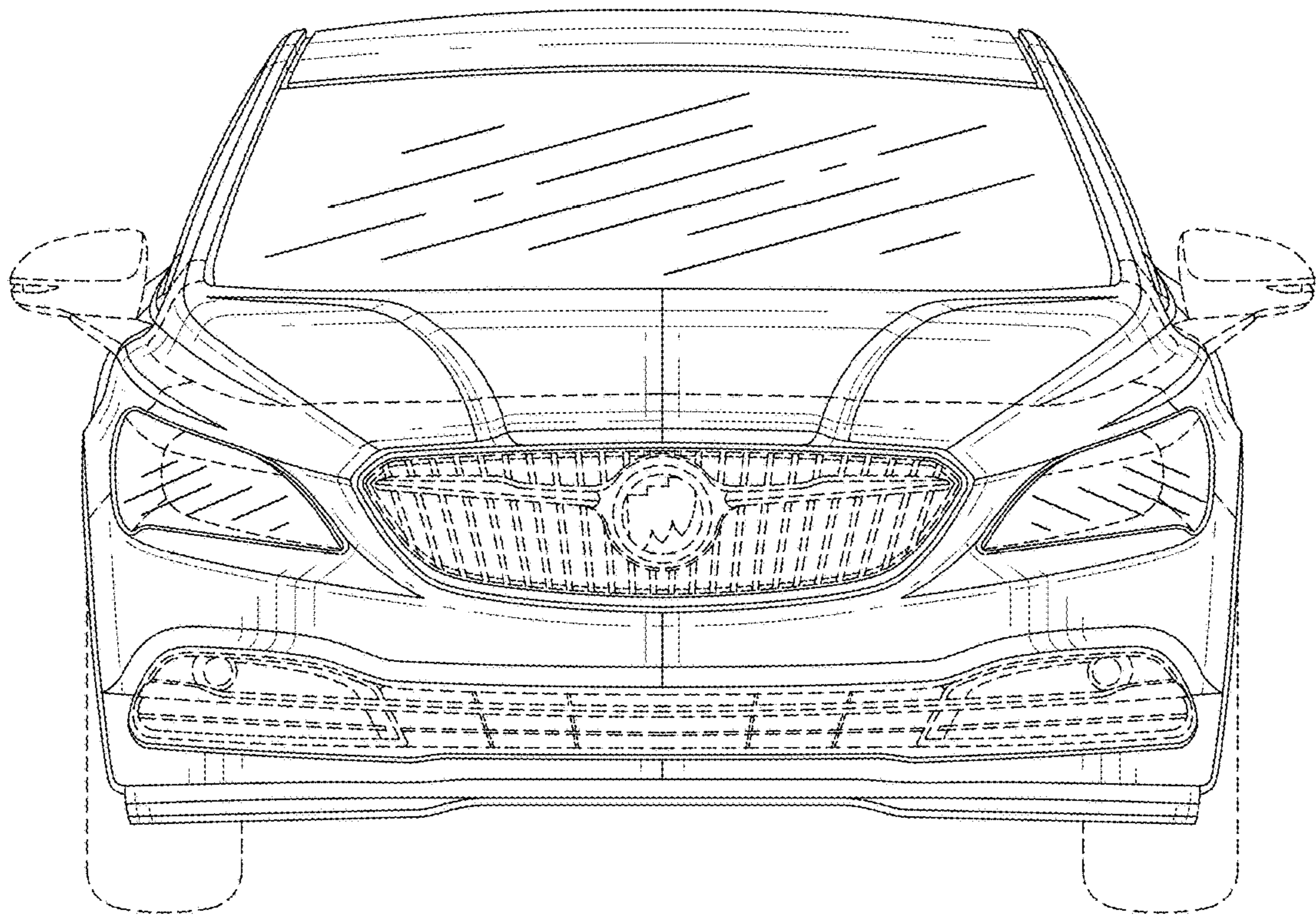


Fig-1

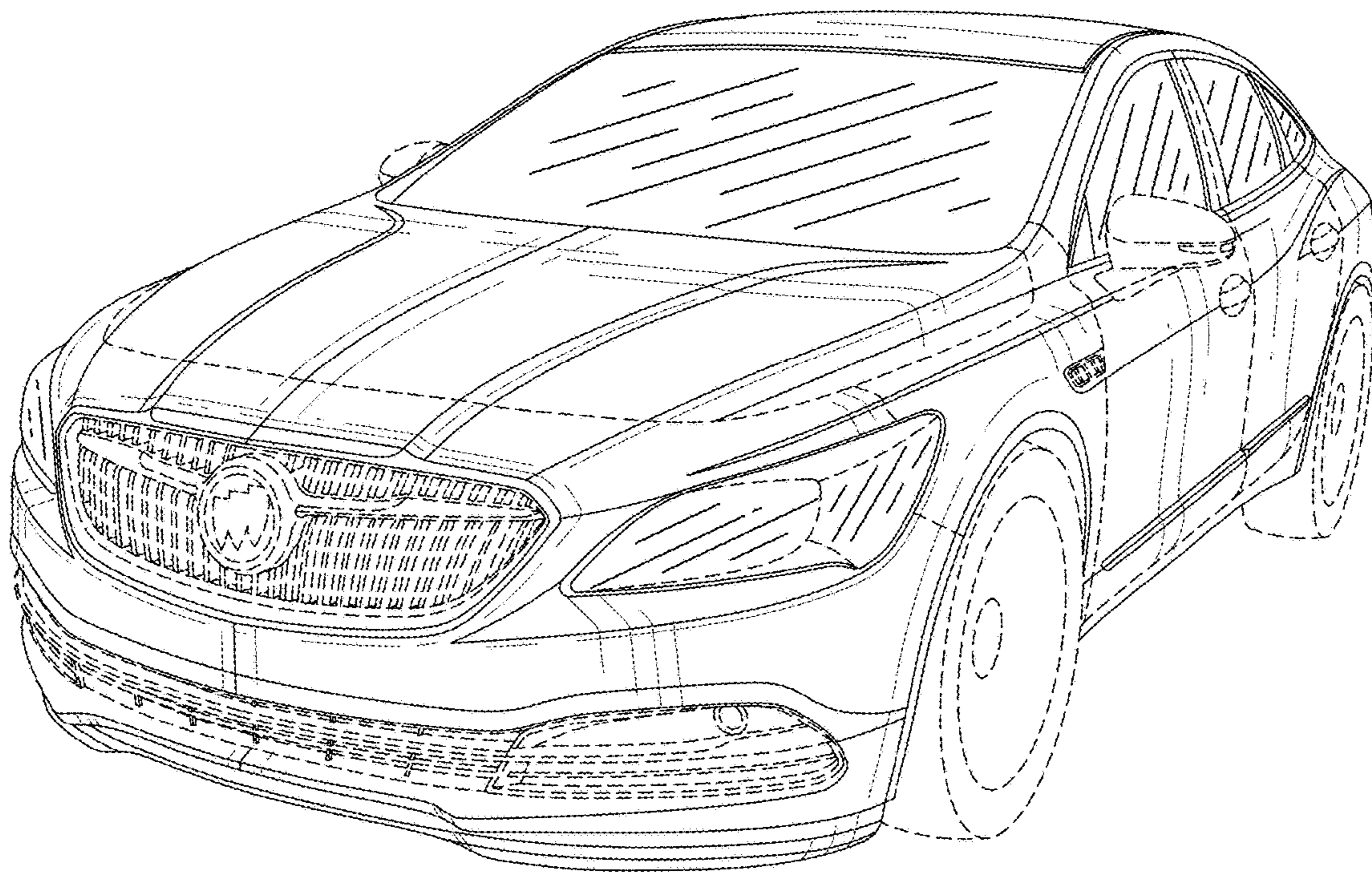


Fig-2

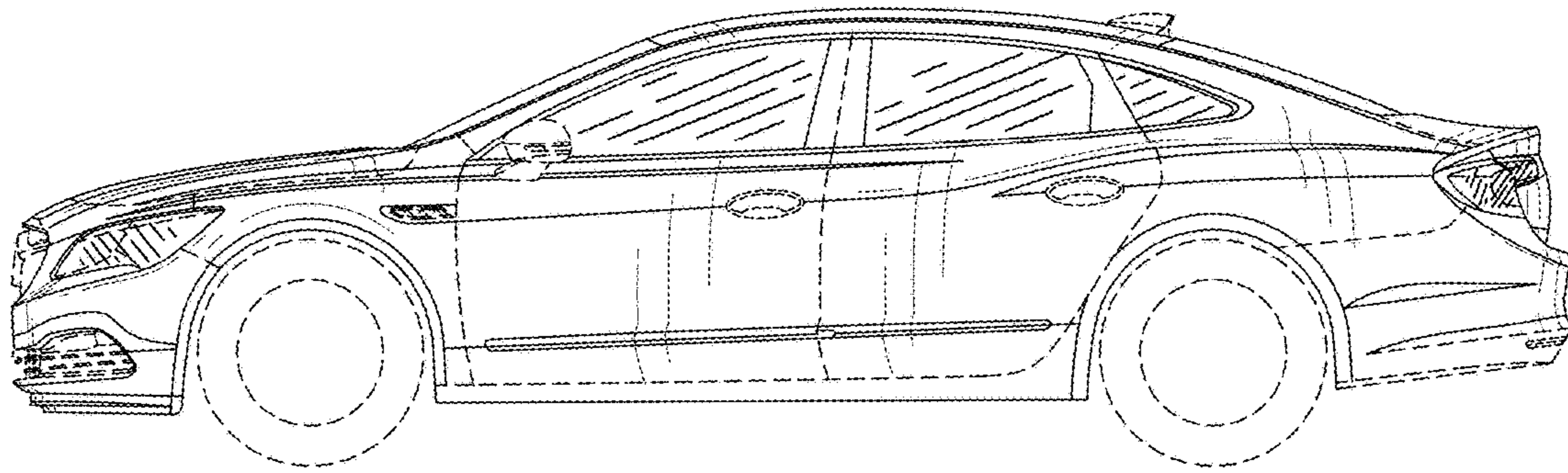


Fig-3

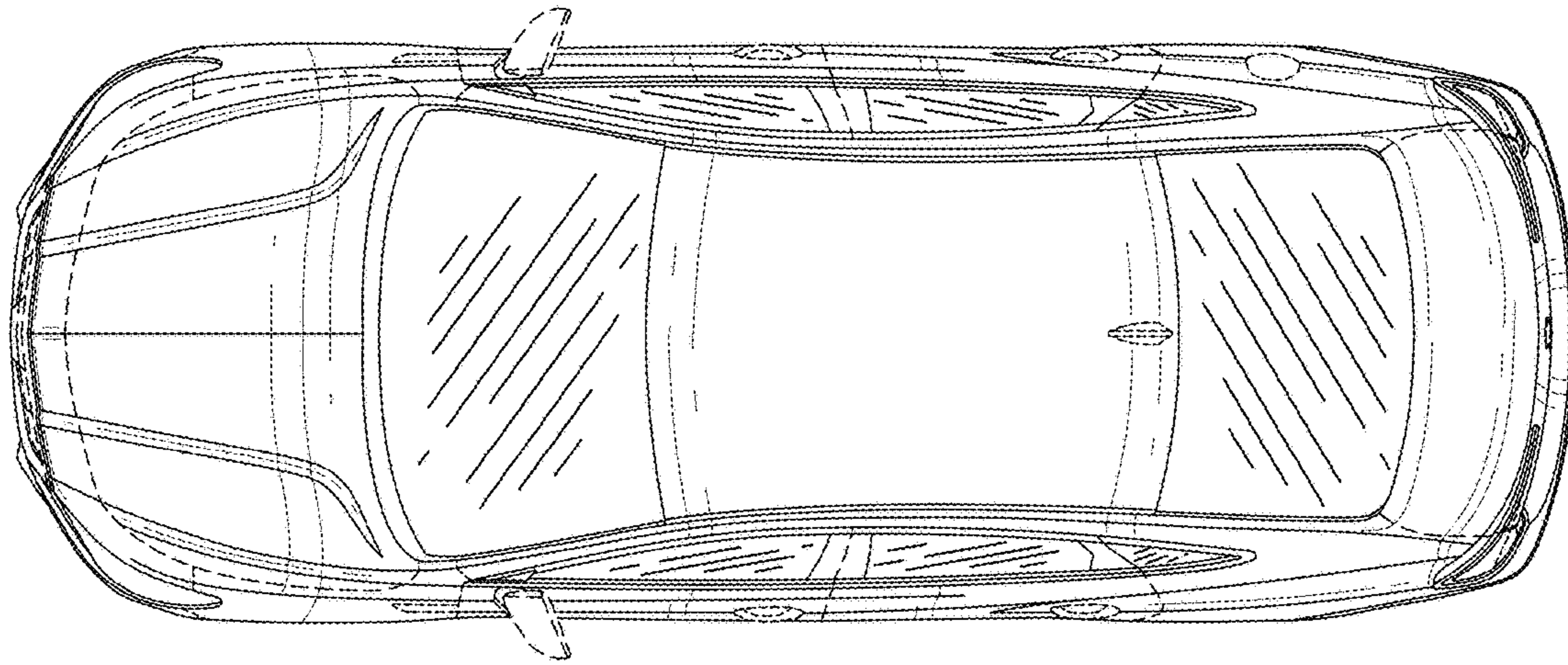


Fig-4

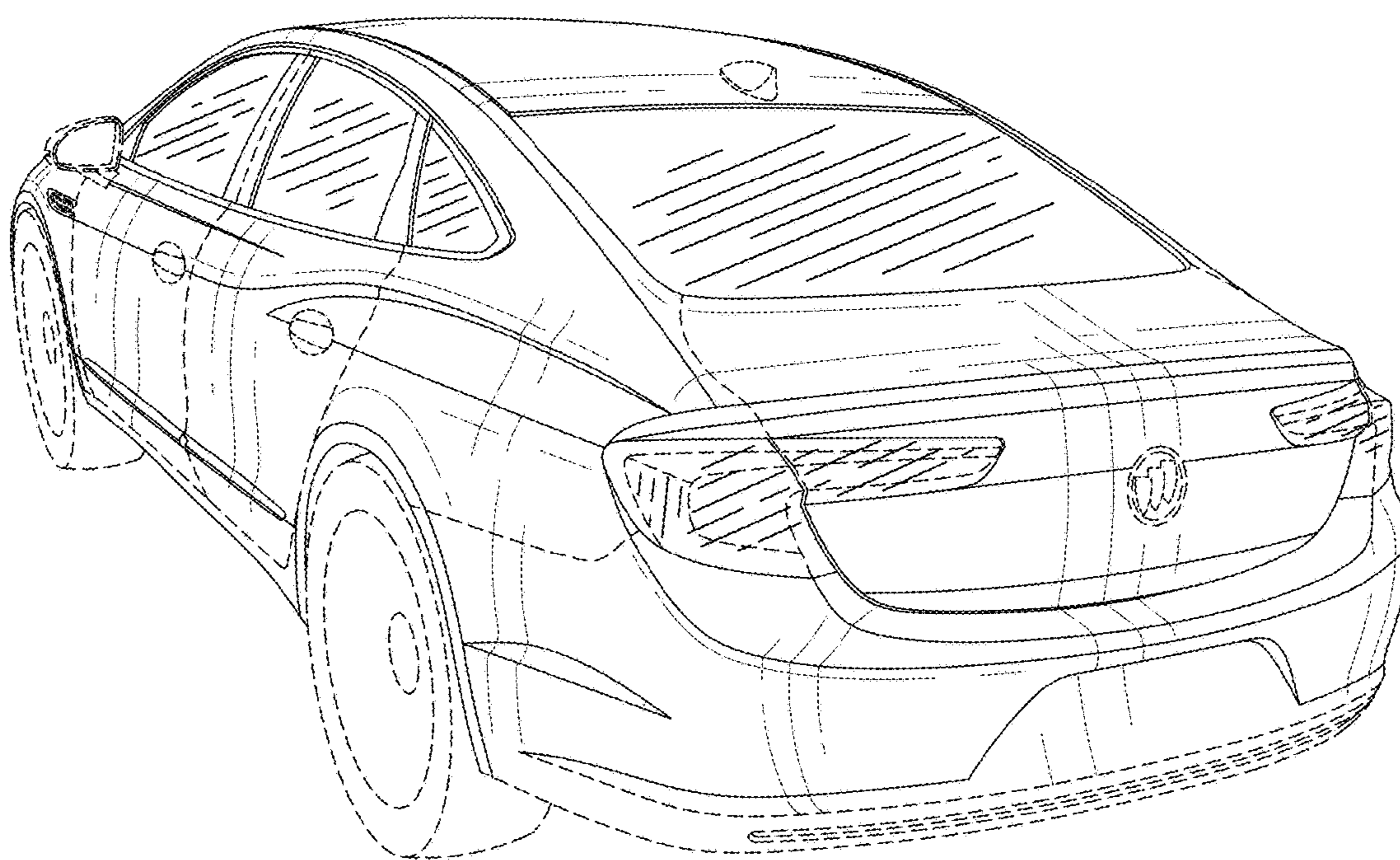


Fig-5

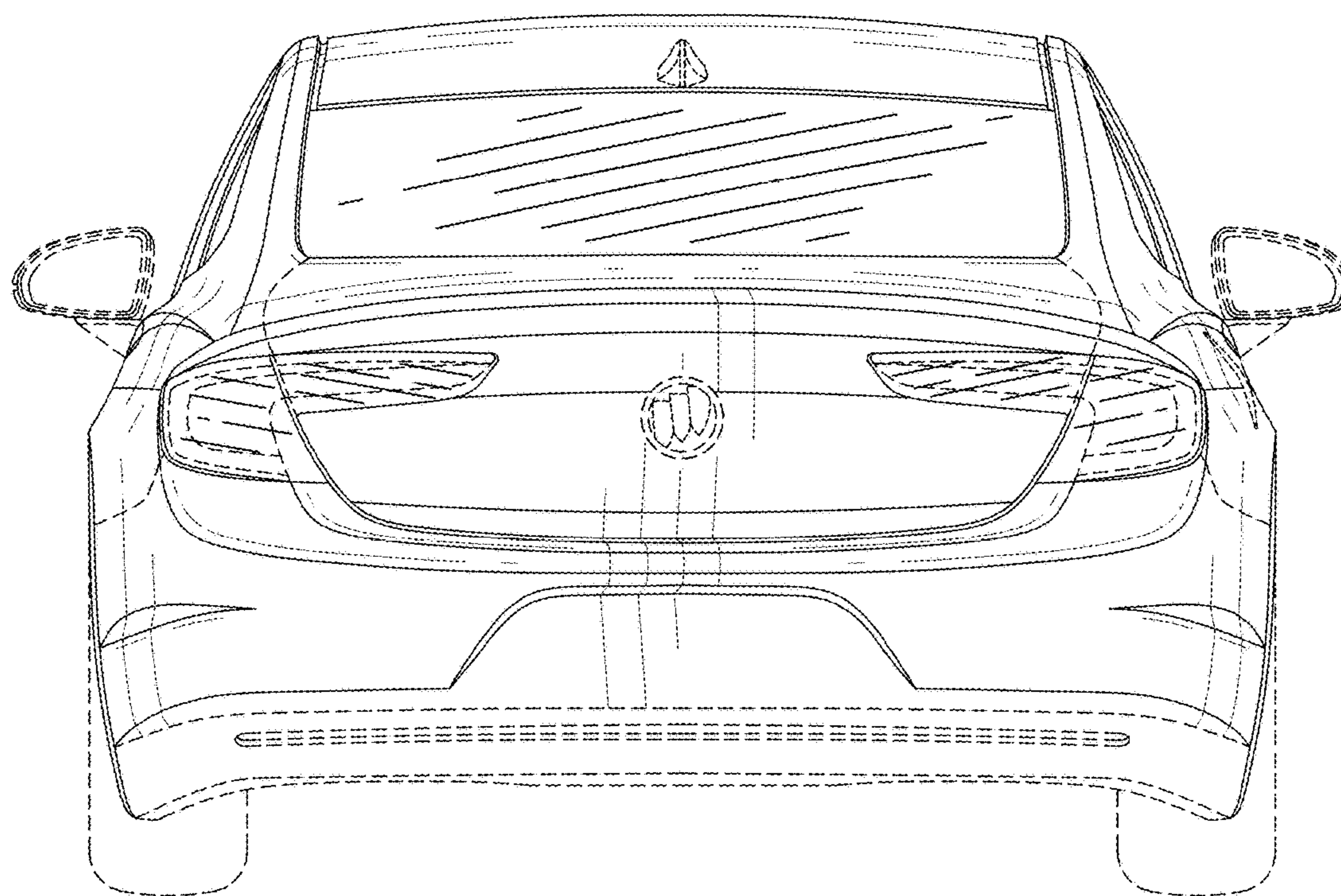


Fig-6